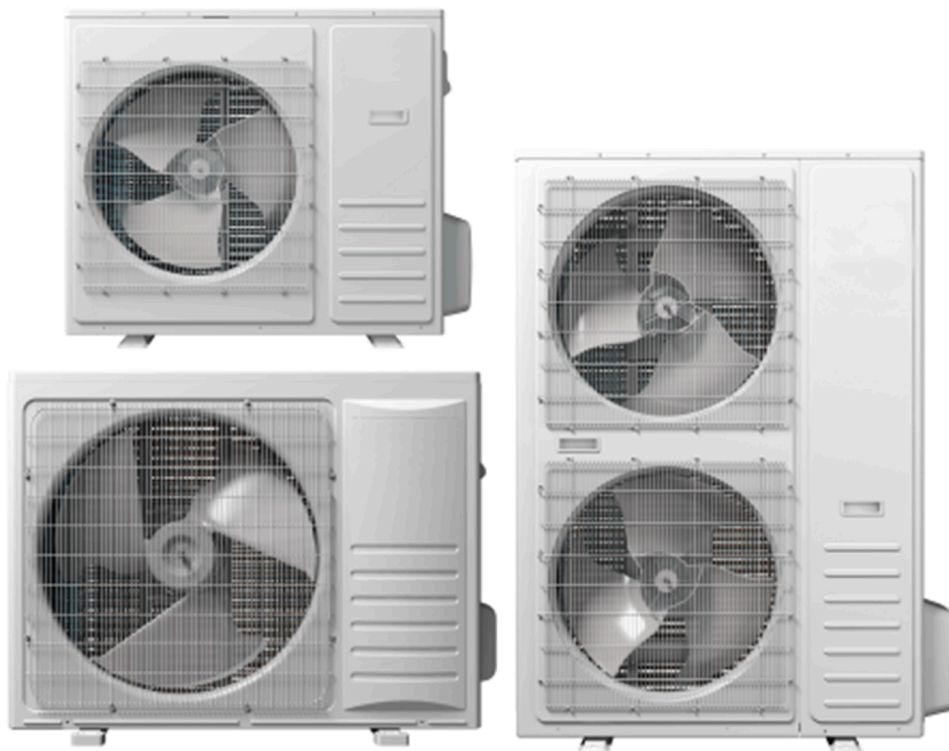




# YORK Technical Guide: HMM7 Series - 17 SEER2 Horizontal Discharge Modulating Heat Pump

R-410A 2 nominal ton to 5 nominal ton



---

York International Corporation, 5005 York Drive, Norman, OK 73069

6353669-YTG-C-0923

Supersedes: 6353669-YTG-B-0623

2023-09-12

---



# Contents

Description.....	5
Certification.....	5
Warranty summary.....	6
Features.....	6
Nomenclature.....	7
Physical and electrical data.....	8
Dimensions.....	8
Dimensions notes.....	8
System charge.....	9
System charge notes.....	10
Charging.....	10
Air handler capacity.....	11
Air handler capacity notes.....	20
Furnace capacity - 2 ton.....	20
Furnace capacity - 3 ton - 34k.....	46
Furnace capacity - 3 ton - 36k.....	78
Furnace capacity - 4 ton.....	128
Furnace capacity - 5 ton.....	169
Applications and accessories.....	181
Sound power rating cooling.....	181
Sound power rating heating.....	181
Mechanical specifications.....	181
Manufacture and certifications.....	181
Typical installation.....	183
Typical field wiring.....	184
Alternative installation clearances.....	185
Performance data - 2 ton.....	186
Cooling performance data - 2 ton.....	186
Multipliers for determining the performance with other indoor sections.....	186
Cool multiplier airhandler - 2 ton.....	186
Cool multiplier furnace - 2 ton.....	188
Heating performance data - 2 ton.....	197
Multipliers for determining the performance with other indoor sections.....	198
Heat multiplier air handler - 2 ton.....	198
Heat multiplier furnace - 2 ton.....	199
Performance data - 3 ton.....	209
Cooling performance data - 3 ton (34k).....	209
Multipliers for determining the performance with other indoor sections.....	209
Cool multiplier air handler - 3 ton (34k).....	209
Cool multiplier furnace - 3 ton (34k).....	209

Heating performance data - 3 ton (34k).....	222
Multipliers for determining the performance with other indoor sections.....	222
Heat multiplier air handler - 3 ton (34k).....	222
Heat multiplier furnace - 3 ton (34k).....	223
Cooling performance data - 3 ton (36k).....	235
Multipliers for determining the performance with other indoor sections.....	235
Cool multiplier airhandler - 3 ton (36k).....	235
Cool multiplier furnace - 3 ton (36k).....	238
Heating performance data - 3 ton (36k).....	257
Multipliers for determining the performance with other indoor sections.....	257
Heat multiplier air handler - 3 ton (36k).....	257
Heat multiplier furnace - 3 ton (36k).....	259
Performance data - 4 ton.....	279
Cooling performance data - 4 ton.....	279
Multipliers for determining the performance with other indoor sections.....	279
Cool multiplier airhandler - 4 ton.....	279
Cool multiplier furnace - 4 ton.....	281
Heating performance data - 4 ton.....	296
Multipliers for determining the performance with other indoor sections.....	296
Heat multiplier airhandler - 4 ton.....	296
Heat multiplier furnace - 4 ton.....	298
Performance data - 5 ton.....	314
Cooling performance data - 5 ton.....	314
Multipliers for determining the performance with other indoor sections.....	314
Cool multiplier airhandler - 5 ton.....	314
Cool multiplier furnace - 5 ton.....	315
Heating performance data - 5 ton.....	319
Multipliers for determining the performance with other indoor sections.....	320
Heat multiplier airhandler - 5 ton.....	320
Heat multiplier furnace - 5 ton.....	320

# Description

HMH7 horizontal discharge modulating heat pumps are the outdoor section of a high-efficiency heating and cooling system. The outdoor units are designed to be connected to a matching indoor coil with sweat connect lines. Match each unit with one ducted indoor unit and is not designed for application in a ductless configuration. Sweat connect units are factory charged with refrigerant for a nominal sized matching indoor coil plus 25 ft of field-supplied lines.

**Figure 1: Installation certification map**

For installation in all US regions and Canada\*



\*Not currently certified for installation in localities requiring hurricane certification. Check local codes for specific requirements.

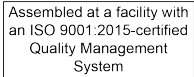
Due to continuous product improvement, specifications are subject to change without notice.

Visit us on the web at [www.simplygettingthejobdone.com](http://www.simplygettingthejobdone.com) and [www.york.com](http://www.york.com).

Additional rating information can be found at [www.ahridirectory.org](http://www.ahridirectory.org).

# Certification

The units are tested in accordance with the following:



## Warranty summary

Extended 10-year limited parts warranty.

Extended 10-year limited compressor warranty.

**Extended parts and compressor warranties** require online registration within 90 days of purchase for replacement or closing for new home construction.

The warranty does not apply to R-22 models, three-phase models, or internet sales.

See the *Limited Warranty* certificate in the *User's Information Manual* for details.

## Features

- **360 DC inverter driven technology:** With 360 DC inverter driven technology, compressor rotation direction and speed is controlled, optimizing energy usage and compressor stability through the range of operating conditions. This guarantees optimal space temperature control while providing quiet operation.
- **Pressure sensor:** This unit contains pressure sensing technology, which detects low pressure in cooling mode and high pressure in heating mode to protect the system from damage. Intelligent control can also be achieved by calculating the indoor coil temperature from system suction pressure.
- **Smaller outdoor form factor for installation flexibility:** This side-discharge outdoor unit saves roughly 35% space over traditional air conditioners. It offers the flexibility of wall, yard, or roof installation.
- **Stable temperature control means optimal comfort:** The DC inverter is able to provide full capacity at startup to cool or warm quickly and adjusts speed to prevent temperature fluctuation and energy loss.
- **Agency listed:** Safety certified by CSA to UL 1995/CSA 22.2. Performance certified to ANSI/AHRI Standard 210/240 in accordance with the Unitary Small Equipment certification program.

# Nomenclature

**Table 1: Horizontal discharge AC and HP**

<b>Configuration</b>	<b>H</b>	<b>H</b> = Horizontal discharge
<b>Stages</b>	<b>M</b>	<b>1</b> = 1 stage
		<b>2</b> = 2 stage
		<b>3</b> = 3 stage
		<b>M</b> = Modulating
		<b>V</b> = Variable capacity
<b>Product type</b>	<b>H</b>	<b>C</b> = Air conditioner
		<b>H</b> = Heat pump
<b>Efficiency</b>	<b>7</b>	<b>3</b> = 13 SEER2
		<b>4</b> = 14 SEER2
		<b>5</b> = 15 SEER2
		<b>6</b> = 16 SEER2
		<b>7</b> = 17 SEER2
		<b>8</b> = 18 SEER2
		<b>9</b> = 19 SEER2
<b>Voltage</b>	<b>2</b>	<b>2</b> = 208/230-1-60
		<b>3</b> = 208/230-3-60
		<b>4</b> = 460-3-60
<b>Refrigerant</b>	<b>B</b>	<b>B</b> = R-410A
		<b>D</b> = R-454B
<b>Capacity</b>	<b>24</b>	<b>12</b> = 1 ton
		<b>18</b> = 1.5 ton
		<b>24</b> = 2 ton
		<b>30</b> = 2.5 ton
		<b>34</b> = 3 ton
		<b>36</b> = 3 ton
		<b>42</b> = 3.5 ton
		<b>48</b> = 4 ton
		<b>60</b> = 5 ton
<b>Generation</b>	<b>1</b>	<b>1</b> = First generation
		<b>2</b> = Second generation
<b>Control strategy</b>	<b>S</b>	<b>C</b> = Communicating
		<b>B</b> = Wireless (communicating)
		<b>S</b> = Standard (conventional)
		<b>W</b> = Wireless (conventional)
<b>Style</b>	<b>A</b>	<b>A</b> = Style A
		<b>B</b> = Style B

## Physical and electrical data

**Table 2: Physical and electrical data**

Outdoor unit model	HMH72B241S	HMH72B341S	HMH72B361S	HMH72B481S	HMH72B601S
Unit supply voltage	208/230 V, 1 phase, 60 Hz				
Normal voltage range (V)	198—253				
Minimum circuit ampacity (A)	15.0	23.0	23.0	36.0	37.0
Maximum overcurrent device (A)	25	35	35	50	50
Minimum overcurrent device (A)	15	23	23	36	37
Compressor type	Twin rotary	Twin rotary	Twin rotary	Twin rotary	Twin rotary
Compressor rated load (A)	11.0	16.1	16.1	26.0	26.5
Compressor locked rotor (A)	20.0	20.0	20.0	38.0	38.0
Crankcase heater (base heater)	Yes	Yes	Yes	Yes	Yes
Factory external discharge muffler	Yes	Yes	Yes	Yes	No
Hard start kit required with TXV	No	No	No	No	No
Fan diameter (in.)	19.5	20.5	20.5	20.5	20.5
Fan motor type	ECM	ECM	ECM	ECM	ECM
Fan motor quantity	1	1	1	2	2
Fan motor rated HP	1/12	1/6	1/6	1/6	1/6
Fan motor nominal RPM	880	810	810	850	850
Fan motor nominal CFM	1825	2350	2350	3525	3525
Coil face area (sq ft)	14.03	8.30	8.33	14.03	5.99
Coil rows deep	2	2	2	2	2
Coil fins per inch	18	19	19	17	18
Liquid line set outdoor unit (field-installed)	0.375	0.375	0.375	0.375	0.375
Vapor line set outdoor unit (field-installed)	0.625	0.75	0.75	0.875	0.875
Unit charge (lb-oz)	4-7	6-3	6-3	8-15	8-15
Charge (oz/ft)	0.38	0.38	0.38	0.60	0.60
Operating weight (lb)	112	148	148	227	251

## Dimensions

**Table 3: Dimensions**

Unit model	Dimensions (in.)			Refrigerant connections service valve size (in.)	
	A	B	C	Liquid	Vapor
HMH72B241S	26 3/8	33 7/8	12 1/4	3/8	5/8
HMH72B341S	33	37 3/8	13 3/8		3/4
HMH72B361S	33	37 3/8	13 3/8		3/4
HMH72B481S	54 5/8	37 3/8	13 3/8		7/8
HMH72B601S	54 5/8	37 3/8	13 3/8		7/8

## Dimensions notes

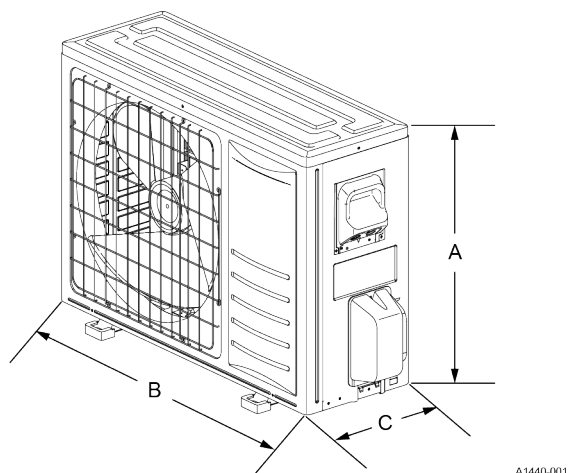


**Note:**

- All dimensions are in inches and are subject to change without notice.
- The overall length and width include screw heads.



**Figure 2: Dimensions**



## System charge

**Table 4: System charge**

Outdoor unit model	HMH72B241S	HMH72B341S	HMH72B361S	HMH72B481S	HMH72B601S
Required indoor metering device	BA1	BC1	BC1	BC1	BC1
Indoor coil model	Additional charge (oz)				
AE36(B,C)	5	—	13	—	—
AE60D	—	—	—	13	14
AVC36(B,C)	5	—	13	—	—
AVC60D	—	—	—	13	14
CF/CM/CU36B	5	—	13	—	—
CF/CM36(C,A)	5	—	13	—	—
CF/CM64D	—	—	—	13	14
JHETB24C	—	-11	-11	—	—
JHETB30D	5	4	4	—	—
JHETB36D	5	4	4	—	—
JHETC36D	5	4	4	—	—
JHETC42F	—	26	26	—	—
JHETC60H	—	—	—	4	—
JHETD60H	—	—	—	4	—
JHETD60J	—	—	—	1	15
JHVTB24C	—	-11	-11	—	—
JHVTB36D	5	4	4	—	—
JHVTC36D	5	4	4	—	—
JHVTC42F	—	26	26	—	—
JHVTC60H	—	—	—	4	—
JHVTD60H	—	—	—	4	—
JHVTD60J	—	—	—	1	15
XAFA30D	5	4	4	—	—
XAFB30C	—	-11	-11	—	—
XAFB36D	5	4	4	—	—
XAFC30C	—	-11	-11	—	—
XAFC36D	5	4	4	—	—
XAFC48F	—	26	26	—	—
XAFC60H	—	—	—	4	—

**Table 4: System charge**

Outdoor unit model	HMH72B241S	HMH72B341S	HMH72B361S	HMH72B481S	HMH72B601S
Required indoor metering device	BA1	BC1	BC1	BC1	BC1
Indoor coil model	Additional charge (oz)				
XAFD48F	—	26	26	—	—
XAFD60H	—	—	—	4	—
XAFD60J	—	—	—	1	15
XAHB30C	—	-11	-11	—	—
XAHB36D	5	4	4	—	—
XAHC30C	—	-11	-11	—	—
XAHC36D	5	4	4	—	—
XAHC48F	—	26	26	—	—
XAHC60H	—	—	—	4	—
XAHD48F	—	26	26	—	—
XAHD60H	—	—	—	4	—
XAHD60J	—	—	—	1	15
XAUB30C	—	-11	-11	—	—
XAUB36D	5	4	4	—	—
XAUC48F	—	26	26	—	—

## System charge notes



### Note:

- For applications requiring a TXV, use the S1-1TVM\*\*\* series kit.
- It is necessary to use a TXV kit with these indoor units to obtain system performance.
- Systems matched with furnaces or air handlers not equipped with blower-off delays may require blower time delay kit S1-2FD06700224.
- Do not use CF and CU coils in horizontal applications.
- Charge adders shown above do not indicate that coils are rated for every application. See [Table 2](#) for actual performance for specified system matches. Obtain certified system ratings from [www.ahridirectory.org](http://www.ahridirectory.org).

## Charging

1. Check the unit factory charge listed on the unit nameplate to verify the refrigerant charge for the outdoor unit, the smallest matched indoor unit, and 25 ft of interconnecting line tubing.
2. Verify the TXV and additional charge required for the specific matched indoor unit in the system using [Table 4](#).
3. Add additional charge for the amount of interconnecting line tubing greater than 25 ft at the rate specified in [Table 2](#).
4. For indoor matches requiring additional charge, weigh in the refrigerant for the specific matched indoor unit and the actual lineset length.
5. After weighing in the charge adders for the matched indoor unit and lineset, verify the system operation against the temperatures and pressures in the charging chart for the outdoor unit. Locate the charging charts on the outdoor unit and also in the *Service Data Application Guide* on [www.simplygettingthejobdone.com](http://www.simplygettingthejobdone.com). Follow the charging procedure in the *Installation Manual* according to the type of indoor metering device in the system, and allow 10 min after each charge adjustment for the system operation to stabilize. Record the charge adjustment made to match the charging chart.

6. For downflow installations and horizontal right installations, some indoor units require additional charging adjustments to ensure correct equipment operation. Refer to the *Installation Manual* for the outdoor unit.
7. Permanently stamp the unit nameplate with the total system charge, which is defined as follows: total system charge = base charge (as shipped) + charge adder for matched indoor unit + charge adder for actual lineset length + charge adjustments to match the charging chart.

## Air handler capacity

**Table 5: Air handler capacity**

Outdoor unit model	Air handler model	Air handler width (in.)	Indoor coil model	Stage	Rated CFM	Net cool (MBH)	Sens cool (MBH)	SEER2	EER2	Net47 (MBH)	Net17 (MBH)	HSPF2 IV	HSPF2 V	Cop47	Cop17
HMH72B241S	MVC12CN21	21.0	CF36C	High	875	22.20	17.70	17.75	10.25	21.60	14.20	9.50	6.70	3.38	2.44
				Intermediate	675	13.40	10.00		16.85						
				Low	675	9.00	8.20		37.20						
HMH72B241S	MVC12CN21	21.0	CM36C	High	875	22.20	17.70	17.75	10.25	21.60	14.20	9.50	6.70	3.38	2.44
				Intermediate	675	13.40	10.00		16.85						
				Low	675	9.00	8.20		37.20						
HMH72B241S	MVC12BN21	17.5	CF36B	High	875	22.20	17.70	17.75	10.25	21.60	14.30	9.50	6.80	3.34	2.42
				Intermediate	625	13.20	9.30		16.55						
				Low	625	8.80	7.90		35.50						
HMH72B241S	MVC12BN21	17.5	CM36B	High	875	22.20	17.70	17.75	10.25	21.60	14.30	9.50	6.80	3.34	2.42
				Intermediate	625	13.20	9.30		16.55						
				Low	625	8.80	7.90		35.50						
HMH72B241S	ME08BN21	17.5	CF36B	High	800	22.00	17.00	17.50	10.25	21.40	14.10	9.50	7.05	3.22	2.38
				Intermediate	475	12.90	7.70		16.35						
				Low	475	8.60	7.30		35.05						
HMH72B241S	ME08BN21	17.5	CM36B	High	800	22.00	17.00	17.50	10.25	21.40	14.10	9.50	7.05	3.22	2.38
				Intermediate	475	12.90	7.70		16.35						
				Low	475	8.60	7.30		35.05						
HMH72B241S	ME12CN21	21.0	CF36C	High	850	22.20	17.60	17.75	10.25	21.60	14.20	9.50	6.80	3.32	2.42
				Intermediate	600	13.20	9.10		16.55						
				Low	600	8.80	7.90		35.80						
HMH72B241S	ME12CN21	21.0	CM36C	High	850	22.20	17.60	17.75	10.25	21.60	14.20	9.50	6.80	3.32	2.42
				Intermediate	600	13.20	9.10		16.55						
				Low	600	8.80	7.90		35.80						
HMH72B241S	JMET12CS2N1A	21.0	XAHC36D	High	925	22.80	17.70	16.50	10.00	22.60	13.70	7.50	6.40	3.30	2.26
				Intermediate	675	13.40	9.80		16.05						
				Low	675	8.70	7.80		29.05						
HMH72B241S	JMET12CS2N1A	21.0	XAFC36D	High	925	23.20	18.00	17.00	10.00	23.00	14.00	7.50	6.30	3.36	2.30
				Intermediate	700	13.80	10.40		16.50						
				Low	700	9.30	8.90		31.95						
HMH72B241S	MVC12BN21	17.5	XAFB36D	High	875	22.40	17.10	17.75	10.25	21.20	14.30	9.50	7.20	3.28	2.48
				Intermediate	625	13.30	9.20		16.60						
				Low	625	9.00	8.10		35.00						
HMH72B241S	MVC12BN21	17.5	XAUB36D	High	875	22.40	17.10	17.75	10.25	21.20	14.30	9.50	7.20	3.28	2.48
				Intermediate	625	13.30	9.20		16.60						
				Low	625	9.00	8.10		35.00						
HMH72B241S	JMVT12BC2N1A	17.5	XAHB36D	High	825	21.80	16.40	17.00	10.00	21.00	13.90	9.00	7.25	3.14	2.40
				Intermediate	500	12.70	7.70		16.05						
				Low	500	8.30	6.80		32.60						
HMH72B241S	ME08BN21	17.5	XAHB36D	High	875	21.80	16.60	16.75	10.00	21.00	14.20	9.00	6.90	3.18	2.40
				Intermediate	450	12.60	7.20		15.90						
				Low	450	8.20	6.60		32.55						
HMH72B241S	JMET12BS2N1A	17.5	XAHB36D	High	800	21.60	16.10	17.00	10.00	21.00	13.90	9.00	7.15	3.10	2.36
				Intermediate	600	12.90	8.70		16.05						
				Low	600	8.40	7.10		31.45						
HMH72B241S	ME08BN21	17.5	XAFB36D	High	775	22.00	16.30	17.25	10.25	21.00	14.10	9.00	6.90	3.14	2.40
				Intermediate	450	12.80	7.40		16.25						
				Low	450	8.60	7.20		35.05						

**Table 5: Air handler capacity**

Outdoor unit model	Air handler model	Air handler width (in.)	Indoor coil model	Stage	Rated CFM	Net cool (MBH)	Sens cool (MBH)	SEER2	EER2	Net47 (MBH)	Net17 (MBH)	HSPF2 IV	HSPF2 V	Cop47	Cop17
HMH72B241S	ME08BN21	17.5	XAUB36D	High	775	22.00	16.30	17.25	10.25	21.00	14.10	9.00	6.90	3.14	2.40
				Intermediate	450	12.80	7.40		16.25						
				Low	450	8.60	7.20		35.05	5.50					
HMH72B241S	JMET12BS2N1A	17.5	XAFB36D	High	825	22.20	16.70	17.75	10.25	21.00	14.20	9.30	7.40	3.22	2.44
				Intermediate	625	13.30	9.30		16.55						
				Low	625	9.00	8.10		34.70	5.70					
HMH72B241S	JMET12BS2N1A	17.5	XAUB36D	High	825	22.20	16.70	17.75	10.25	21.00	14.20	9.30	7.40	3.22	2.44
				Intermediate	625	13.30	9.30		16.55						
				Low	625	9.00	8.10		34.70	5.70					
HMH72B241S	MVC12CN21	21.0	XAHC36D	High	875	22.00	16.80	17.25	10.00	21.00	14.00	9.00	7.00	3.24	2.44
				Intermediate	650	13.10	9.30		16.30						
				Low	650	8.50	7.30		32.20	5.50					
HMH72B241S	JMET08BS2N1A	17.5	XAHB36D	High	800	21.60	16.10	17.00	10.00	21.00	13.90	9.00	7.05	3.12	2.38
				Intermediate	475	12.70	7.50		16.10						
				Low	475	8.30	6.70		33.30	5.30					
HMH72B241S	MVC12CN21	21.0	XAFC36D	High	875	22.40	17.10	17.75	10.50	21.20	14.30	9.50	7.00	3.30	2.50
				Intermediate	650	13.40	9.50		16.75						
				Low	650	9.00	8.20		35.55	5.70					
HMH72B241S	MVC12BN21	17.5	XAHB36D	High	875	21.80	16.60	17.00	10.00	21.00	14.10	9.30	6.25	3.20	2.42
				Intermediate	625	13.00	9.00		16.05						
				Low	625	8.50	7.30		31.25	5.50					
HMH72B241S	JMET08BS2N1A	17.5	XAFB36D	High	825	22.20	16.70	17.50	10.25	21.00	14.20	9.30	7.40	3.22	2.44
				Intermediate	675	13.40	9.80		16.45						
				Low	675	9.00	8.30		33.70	5.80					
HMH72B241S	JMET08BS2N1A	17.5	XAUB36D	High	825	22.20	16.70	17.50	10.25	21.00	14.20	9.30	7.40	3.22	2.44
				Intermediate	675	13.40	9.80		16.45						
				Low	675	9.00	8.30		33.70	5.80					
HMH72B241S	ME12CN21	21.0	XAFC36D	High	825	22.20	16.70	17.50	10.25	21.00	14.20	9.50	7.30	3.22	2.46
				Intermediate	575	13.10	8.70		16.45						
				Low	575	8.90	7.80		34.75	5.60					
HMH72B241S	JMVT12BC2N1A	17.5	XAFB36D	High	775	22.00	16.30	17.75	10.25	21.00	14.00	9.50	7.50	3.16	2.42
				Intermediate	500	13.00	8.00		16.50						
				Low	500	8.70	7.40		35.80	5.50					
HMH72B241S	JMVT12BC2N1A	17.5	XAUB36D	High	775	22.00	16.30	17.75	10.25	21.00	14.00	9.50	7.50	3.16	2.42
				Intermediate	500	13.00	8.00		16.50						
				Low	500	8.70	7.40		35.80	5.50					
HMH72B241S	AE36CX21	21.0	—	High	850	22.20	17.00	17.50	10.00	22.00	14.00	9.00	7.60	3.36	2.42
				Intermediate	725	13.00	7.30		16.30						
				Low	725	8.90	8.90		35.10	5.70					
HMH72B241S	AE36C	21.0	—	High	850	22.20	17.00	17.50	10.00	22.00	14.00	9.00	7.60	3.36	2.42
				Intermediate	725	13.00	7.30		16.30						
				Low	725	8.90	8.90		35.10	5.70					
HMH72B241S	AVC36CX21	21.0	—	High	875	22.20	17.70	17.75	10.25	21.60	14.20	9.50	6.80	3.36	2.44
				Intermediate	625	13.20	9.30		16.65						
				Low	625	8.90	8.00		36.15	5.90					
HMH72B241S	AE36BX21	17.5	—	High	875	22.20	17.70	17.25	10.00	21.80	14.30	9.30	7.40	3.32	2.42
				Intermediate	700	13.30	10.20		16.20						
				Low	700	8.90	8.30		33.30	6.10					
HMH72B241S	AE36B	17.5	—	High	875	22.20	17.70	17.25	10.00	21.80	14.30	9.30	7.40	3.32	2.42
				Intermediate	700	13.30	10.20		16.20						
				Low	700	8.90	8.30		33.30	6.10					
HMH72B241S	AVC36BX21	17.5	—	High	850	22.00	17.40	17.50	10.00	21.60	14.30	9.50	7.05	3.28	2.40
				Intermediate	575	13.10	8.80		16.45						
				Low	575	8.80	7.80		35.15	5.80					
HMH72B241S	JHVTC36DXXC2N1	21.0	—	High	825	22.20	16.70	18.00	10.50	21.00	14.10	9.50	7.60	3.26	2.48
				Intermediate	600	13.20	8.90		16.75						
				Low	600	8.90	7.90		36.20	5.60					
HMH72B241S	JHETB36DXXS2N1	17.5	—	High	875	22.40	17.10	17.50	10.50	21.20	14.30	9.50	7.35	3.30	2.48
				Intermediate	600	13.20	9.00		16.50						
				Low	600	8.90	7.90		34.50	5.70					

**Table 5: Air handler capacity**

Outdoor unit model	Air handler model	Air handler width (in.)	Indoor coil model	Stage	Rated CFM	Net cool (MBH)	Sens cool (MBH)	SEER2	EER2	Net47 (MBH)	Net17 (MBH)	HSPF2 IV	HSPF2 V	Cop47	Cop17
HMH72B241S	JHETB30DXXS2N1	17.5	—	High	925	22.60	17.60	17.50	10.25	21.60	14.60	9.50	7.60	3.32	2.50
				Intermediate	575	13.20	8.70		16.60						
				Low	575	8.90	7.80		35.50	5.60					
HMH72B241S	JHVTB36DXXC2N1	17.5	—	High	800	22.20	16.60	17.75	10.25	21.00	14.00	9.50	6.90	3.20	2.44
				Intermediate	550	13.10	8.40		16.70						
				Low	550	8.90	7.70		36.55	5.50					
HMH72B241S	JHETC36DXXS2N1	21.0	—	High	875	22.40	17.10	17.75	10.50	21.20	14.30	9.50	7.20	3.30	2.50
				Intermediate	625	13.30	9.30		16.55						
				Low	625	9.00	8.10		34.85	5.70					
HMH72B241S	JHVTC36DBAC2N1	21.0	—	High	825	22.40	16.80	18.00	10.50	21.00	14.10	9.50	6.85	3.26	2.48
				Intermediate	625	13.30	9.20		16.90						
				Low	625	9.00	8.10		36.90	5.60					
HMH72B241S	JHETB36DBAS2N1	17.5	—	High	850	22.20	16.80	17.50	10.25	21.20	14.30	9.30	7.40	3.24	2.46
				Intermediate	625	13.30	9.30		16.50						
				Low	625	9.00	8.10		34.55	5.70					
HMH72B241S	JHVTB36DBAC2N1	17.5	—	High	800	22.20	16.60	17.75	10.25	21.00	14.00	9.50	6.90	3.20	2.44
				Intermediate	550	13.10	8.40		16.70						
				Low	550	8.90	7.70		36.55	5.50					
HMH72B241S	JHETC36DBAS2N1	21.0	—	High	850	22.40	17.00	18.00	10.50	21.00	14.20	9.50	7.50	3.26	2.48
				Intermediate	675	13.40	9.70		16.75						
				Low	675	9.10	8.30		35.30	5.80					
HMH72B241S	JHETB30DBAS2N1	17.5	—	High	775	22.40	16.60	17.00	10.00	22.60	14.20	7.80	6.70	3.26	2.34
				Intermediate	550	13.30	11.30		16.15						
				Low	550	8.80	8.90		31.75	5.90					
HMH72B361S	MVC12BN21	17.5	CF36B	High	1225	35.80	26.00	17.25	9.00	34.60	24.40	9.50	7.30	3.24	2.54
				Intermediate	775	22.00	13.00		16.40						
				Low	775	14.30	12.20		33.45	9.60					
HMH72B361S	MVC12BN21	17.5	CM36B	High	1225	35.80	26.00	17.25	9.00	34.60	24.40	9.50	7.30	3.24	2.54
				Intermediate	775	22.00	13.00		16.40						
				Low	775	14.30	12.20		33.45	9.60					
HMH72B361S	ME16CN21	21.0	CF36C	High	1100	35.60	25.00	17.25	9.25	33.20	23.80	9.50	7.10	3.16	2.56
				Intermediate	900	22.60	14.60		16.30						
				Low	900	14.60	13.30		31.95	9.90					
HMH72B361S	ME16CN21	21.0	CM36C	High	1100	35.60	25.00	17.25	9.25	33.20	23.80	9.50	7.10	3.16	2.56
				Intermediate	900	22.60	14.60		16.30						
				Low	900	14.60	13.30		31.95	9.90					
HMH72B361S	ME12CN21	21.0	CF36C	High	1225	36.00	26.20	17.50	9.25	34.40	24.20	9.50	6.95	3.28	2.58
				Intermediate	825	22.20	13.60		16.50						
				Low	825	14.50	12.70		33.70	9.70					
HMH72B361S	ME12CN21	21.0	CM36C	High	1225	36.00	26.20	17.50	9.25	34.40	24.20	9.50	6.95	3.28	2.58
				Intermediate	825	22.20	13.60		16.50						
				Low	825	14.50	12.70		33.70	9.70					
HMH72B361S	MVC16CN21	21.0	CF36C	High	1275	36.00	26.60	17.75	9.25	34.60	24.20	9.50	6.80	3.34	2.60
				Intermediate	825	22.40	13.70		16.75						
				Low	825	14.50	12.60		35.25	9.60					
HMH72B361S	MVC16CN21	21.0	CM36C	High	1275	36.00	26.60	17.75	9.25	34.60	24.20	9.50	6.80	3.34	2.60
				Intermediate	825	22.40	13.70		16.75						
				Low	825	14.50	12.60		35.25	9.60					
HMH72B361S	MVC12CN21	21.0	CF36C	High	1175	36.00	26.00	18.00	9.25	33.80	24.00	9.50	6.85	3.24	2.58
				Intermediate	775	22.20	13.10		16.80						
				Low	775	14.40	12.20		36.05	9.50					
HMH72B361S	MVC12CN21	21.0	CM36C	High	1175	36.00	26.00	18.00	9.25	33.80	24.00	9.50	6.85	3.24	2.58
				Intermediate	775	22.20	13.10		16.80						
				Low	775	14.40	12.20		36.05	9.50					
HMH72B361S	ME12BN21	17.5	CF36B	High	1225	35.80	26.00	17.00	9.00	34.60	24.40	9.50	7.15	3.22	2.54
				Intermediate	650	21.60	11.60		16.25						
				Low	650	14.00	11.10		34.20	9.30					
HMH72B361S	ME12BN21	17.5	CM36B	High	1225	35.80	26.00	17.00	9.00	34.60	24.40	9.50	7.15	3.22	2.54
				Intermediate	650	21.60	11.60		16.25						
				Low	650	14.00	11.10		34.20	9.30					

**Table 5: Air handler capacity**

Outdoor unit model	Air handler model	Air handler width (in.)	Indoor coil model	Stage	Rated CFM	Net cool (MBH)	Sens cool (MBH)	SEER2	EER2	Net47 (MBH)	Net17 (MBH)	HSPF2 IV	HSPF2 V	Cop47	Cop17
HMH72B361S	ME08BN21	17.5	CF36B	High	900	34.80	23.20	17.00	9.25	31.60	23.60	9.50	7.55	2.94	2.50
				Intermediate	575	21.20	10.60		16.05						
				Low	575	13.80	10.50		33.70	9.20					
HMH72B361S	ME08BN21	17.5	CM36B	High	900	34.80	23.20	17.00	9.25	31.60	23.60	9.50	7.55	2.94	2.50
				Intermediate	575	21.20	10.60		16.05						
				Low	575	13.80	10.50		33.70	9.20					
HMH72B361S	MVC12CN21	21.0	XAHC36D	High	1225	35.20	25.40	17.00	9.00	35.20	24.20	9.50	7.15	3.36	2.62
				Intermediate	775	21.60	12.60		16.10						
				Low	775	14.20	11.90		32.65	9.70					
HMH72B361S	ME12CN21	21.0	XAHC36D	High	1250	35.20	25.60	16.50	9.00	35.40	24.40	9.50	7.10	3.34	2.60
				Intermediate	775	21.40	12.40		15.80						
				Low	775	14.10	11.90		31.00	9.80					
HMH72B361S	JMVT12BC2N1A	17.5	XAHB36D	High	1150	34.60	24.60	16.50	9.00	35.00	24.20	9.50	7.45	3.28	2.56
				Intermediate	750	21.40	12.20		15.80						
				Low	750	14.00	11.60		31.35	9.70					
HMH72B361S	JMET12B54N1A	17.5	XAFB36D	High	1225	36.00	26.00	18.00	9.00	36.00	25.40	8.10	6.85	3.36	2.60
				Intermediate	625	25.00	12.50		19.10						
				Low	625	14.30	11.00		33.00	2.00					
HMH72B361S	JMET12B54N1A	17.5	XAUB36D	High	1225	36.00	26.00	18.00	9.00	36.00	25.40	8.10	6.85	3.36	2.60
				Intermediate	625	25.00	12.50		19.10						
				Low	625	14.30	11.00		33.00	2.00					
HMH72B361S	MVC12BN21	17.5	XAHB36D	High	1200	34.80	25.00	16.50	8.75	35.40	24.40	9.50	7.45	3.28	2.54
				Intermediate	800	21.60	12.80		15.75						
				Low	800	14.10	12.10		30.50	9.90					
HMH72B361S	ME12BN21	17.5	XAHB36D	High	1175	34.80	24.80	16.25	9.00	35.20	24.40	9.50	7.45	3.26	2.54
				Intermediate	600	20.60	10.40		15.45						
				Low	600	13.70	10.30		31.65	9.50					
HMH72B361S	JMET16CS2N1A	21.0	XAHC36D	High	1250	35.40	25.80	17.00	9.00	35.40	24.40	10.00	7.75	3.36	2.60
				Intermediate	875	22.00	13.70		16.15						
				Low	875	14.40	12.80		31.65	10.00					
HMH72B361S	MVC12BN21	17.5	XAFB36D	High	1225	35.80	25.80	17.00	9.25	36.00	24.80	9.50	7.05	3.40	2.64
				Intermediate	800	22.00	13.10		16.30						
				Low	800	14.50	12.40		32.10	10.00					
HMH72B361S	MVC12BN21	17.5	XAUB36D	High	1225	35.80	25.80	17.00	9.25	36.00	24.80	9.50	7.05	3.40	2.64
				Intermediate	800	22.00	13.10		16.30						
				Low	800	14.50	12.40		32.10	10.00					
HMH72B361S	ME12BN21	17.5	XAFB36D	High	1200	35.60	25.60	16.75	9.25	36.00	24.80	9.50	7.30	3.36	2.62
				Intermediate	625	21.20	11.00		15.95						
				Low	625	14.00	10.70		32.90	9.70					
HMH72B361S	ME12BN21	17.5	XAUB36D	High	1200	35.60	25.60	16.75	9.25	36.00	24.80	9.50	7.30	3.36	2.62
				Intermediate	625	21.20	11.00		15.95						
				Low	625	14.00	10.70		32.90	9.70					
HMH72B361S	JMET16CS2N1A	21.0	XAFB36D	High	1075	35.40	24.80	17.50	9.25	35.20	24.20	10.00	7.80	3.32	2.62
				Intermediate	875	22.40	14.00		16.50						
				Low	875	14.70	13.10		32.20	10.20					
HMH72B361S	MVC16CN21	21.0	XAHC36D	High	1275	35.40	26.00	17.00	9.00	35.40	24.40	9.50	7.10	3.40	2.62
				Intermediate	825	21.80	13.10		16.05						
				Low	825	14.30	12.40		31.85	9.80					
HMH72B361S	ME16CN21	21.0	XAHC36D	High	1275	35.20	25.80	16.50	9.00	35.60	24.60	9.50	7.20	3.36	2.60
				Intermediate	850	21.80	13.40		15.75						
				Low	850	14.20	12.60		29.80	10.00					
HMH72B361S	JMVT16CC2N1A	21.0	XAHC36D	High	1175	35.00	25.00	17.00	9.00	35.00	24.00	10.00	7.85	3.34	2.60
				Intermediate	825	21.80	13.10		16.15						
				Low	825	14.30	12.40		32.25	9.80					
HMH72B361S	JMET12CS2N1A	21.0	XAHC36D	High	1225	35.20	25.40	17.00	9.00	35.20	24.20	10.00	7.75	3.34	2.60
				Intermediate	800	21.60	12.70		16.15						
				Low	800	14.20	12.10		32.50	9.80					
HMH72B361S	MVC16CN21	21.0	XAFB36D	High	1275	36.00	26.40	17.25	9.25	36.00	24.80	9.50	6.95	3.48	2.68
				Intermediate	825	22.20	13.40		16.50						
				Low	825	14.60	12.70		32.90	10.00					

**Table 5: Air handler capacity**

Outdoor unit model	Air handler model	Air handler width (in.)	Indoor coil model	Stage	Rated CFM	Net cool (MBH)	Sens cool (MBH)	SEER2	EER2	Net47 (MBH)	Net17 (MBH)	HSPF2 IV	HSPF2 V	Cop47	Cop17
HMH72B361S	ME16CN21	21.0	XAFC36D	High	1300	36.00	26.60	17.00	9.25	36.00	25.00	9.50	6.80	3.46	2.66
				Intermediate	875	22.40	14.10		16.20						
				Low	875	14.60	13.10		30.80	10.20					
HMH72B361S	JMVT16CC2N1A	21.0	XAFC36D	High	1175	35.80	25.60	17.50	9.25	35.60	24.40	10.00	7.80	3.42	2.66
				Intermediate	825	22.20	13.40		16.55						
				Low	825	14.60	12.60		33.40	10.00					
HMH72B361S	JMET12CS2N1A	21.0	XAFC36D	High	1250	36.00	26.20	17.25	9.25	36.00	24.80	10.00	7.70	3.44	2.66
				Intermediate	800	22.20	13.20		16.50						
				Low	800	14.50	12.40		33.35	10.00					
HMH72B361S	JMVT12BC2N1A	17.5	XAFB36D	High	1200	36.00	25.80	18.00	9.00	36.00	25.40	8.10	6.90	3.34	2.60
				Intermediate	600	25.00	12.40		19.05						
				Low	600	14.20	10.70		33.05	1.90					
HMH72B361S	JMVT12BC2N1A	17.5	XAUB36D	High	1200	36.00	25.80	18.00	9.00	36.00	25.40	8.10	6.90	3.34	2.60
				Intermediate	600	25.00	12.40		19.05						
				Low	600	14.20	10.70		33.05	1.90					
HMH72B361S	MVC12CN21	21.0	XAFC36D	High	1225	36.00	26.00	17.50	9.50	35.80	24.60	9.50	6.95	3.44	2.68
				Intermediate	775	22.00	12.80		16.50						
				Low	775	14.50	12.20		33.75	9.90					
HMH72B361S	ME12CN21	21.0	XAFC36D	High	1250	36.00	26.20	17.00	9.25	36.00	24.80	9.50	6.80	3.42	2.64
				Intermediate	775	22.00	12.90		16.15						
				Low	775	14.40	12.20		31.85	10.00					
HMH72B361S	JMET12BS2N1A	17.5	XAFB36D	High	1175	36.00	25.80	18.00	9.00	36.00	25.20	8.10	6.90	3.34	2.60
				Intermediate	625	24.80	12.00		19.00						
				Low	625	14.30	11.00		33.50	2.20					
HMH72B361S	JMET12BS2N1A	17.5	XAUB36D	High	1175	36.00	25.80	18.00	9.00	36.00	25.20	8.10	6.90	3.34	2.60
				Intermediate	625	24.80	12.00		19.00						
				Low	625	14.30	11.00		33.50	2.20					
HMH72B361S	AE36CX21	21.0	—	High	1200	36.00	26.60	18.00	10.00	36.00	24.00	10.50	8.75	3.40	2.58
				Intermediate	725	22.40	17.30		16.95						
				Low	725	14.70	13.80		36.35	9.90					
HMH72B361S	AE36BX21	17.5	—	High	1250	36.00	26.40	17.00	9.00	34.80	24.40	9.50	7.65	3.26	2.54
				Intermediate	850	22.40	14.00		16.15						
				Low	850	14.40	12.80		31.40	9.80					
HMH72B361S	AVC36CX21	21.0	—	High	1225	36.00	26.20	18.00	9.25	34.40	24.20	9.50	6.95	3.28	2.58
				Intermediate	850	22.40	13.90		16.80						
				Low	850	14.60	12.90		35.20	9.60					
HMH72B361S	AVC36BX21	17.5	—	High	1275	35.80	26.40	17.00	9.00	35.20	24.60	9.50	7.20	3.26	2.54
				Intermediate	825	22.20	13.60		16.30						
				Low	825	14.40	12.60		32.45	9.70					
HMH72B361S	JHETC36DXXS2N1	21.0	—	High	1025	35.20	24.40	17.50	9.50	35.00	24.00	9.50	6.90	3.30	2.62
				Intermediate	850	22.40	13.80		16.40						
				Low	850	14.60	12.90		32.20	10.10					
HMH72B361S	JHETB36DXXS2N1	17.5	—	High	1300	36.00	26.60	17.00	9.25	36.00	25.00	9.50	7.65	3.46	2.66
				Intermediate	850	22.40	13.80		16.30						
				Low	850	14.60	12.90		31.50	10.20					
HMH72B361S	JHVT36DXXC2N1	21.0	—	High	1200	36.00	26.00	17.50	9.50	35.60	24.40	9.50	7.50	3.44	2.68
				Intermediate	825	22.20	13.40		16.70						
				Low	825	14.60	12.60		34.30	10.00					
HMH72B361S	JHVTB36DXXC2N1	17.5	—	High	1275	36.00	26.40	17.50	9.25	36.00	24.80	9.50	7.05	3.46	2.66
				Intermediate	775	22.00	12.80		16.50						
				Low	775	14.50	12.20		33.75	9.90					
HMH72B361S	JHVTB36DBAC2N1	17.5	—	High	1150	35.80	25.20	18.00	9.00	36.00	25.20	8.10	6.65	3.30	2.58
				Intermediate	575	24.80	11.80		19.20						
				Low	575	14.20	10.50		34.65	2.00					
HMH72B361S	JHVT36DBAC2N1	21.0	—	High	1200	36.00	25.80	18.00	9.00	36.00	25.00	8.10	6.45	3.42	2.66
				Intermediate	625	25.00	12.30		19.20						
				Low	625	14.30	11.00		34.05	1.90					
HMH72B361S	JHETC36DBAS2N1	21.0	—	High	1175	36.00	25.80	18.00	9.00	36.00	25.00	8.10	6.80	3.36	2.62
				Intermediate	650	24.80	12.00		18.90						
				Low	650	14.40	11.30		33.50	2.00					

**Table 5: Air handler capacity**

Outdoor unit model	Air handler model	Air handler width (in.)	Indoor coil model	Stage	Rated CFM	Net cool (MBH)	Sens cool (MBH)	SEER2	EER2	Net47 (MBH)	Net17 (MBH)	HSPF2 IV	HSPF2 V	Cop47	Cop17
HMH72B361S	JHETB36DBAS2N1	17.5	—	High	1200	36.00	25.80	18.00	9.00	36.00	25.40	8.10	6.85	3.34	2.60
				Intermediate	600	25.00	12.30		19.10						
				Low	600	14.20	10.70		33.25	2.20					
HMH72B361S	JHVTC36DBCC2N1	21.0	—	High	1200	36.00	26.00	17.75	9.50	35.60	24.40	10.50	8.10	3.46	2.68
				Intermediate	850	22.40	13.70		16.80						
				Low	850	14.70	12.90		34.45	10.00					
HMH72B361S	JHETC36DBCS2N1	21.0	—	High	1000	35.00	24.00	17.25	9.25	34.80	24.00	10.00	7.80	3.28	2.60
				Intermediate	675	21.40	11.50		16.20						
				Low	675	14.20	11.20		33.60	9.80					
HMH72B361S	JHETB36DBCS2N1	17.5	—	High	1275	36.00	26.40	17.00	9.00	36.00	25.00	10.00	7.70	3.40	2.62
				Intermediate	875	22.40	14.10		16.25						
				Low	875	14.60	13.10		30.95	10.20					
HMH72B361S	JHVTB36DBCC2N1	17.5	—	High	1150	35.80	25.20	18.00	9.00	36.00	25.20	8.10	6.65	3.30	2.58
				Intermediate	575	24.80	11.80		19.20						
				Low	575	14.20	10.50		34.65	2.00					
HMH72B361S	JHETB30DBAS2N1	17.5	—	High	1175	36.00	26.30	18.00	9.00	37.60	24.60	8.50	7.30	3.40	2.56
				Intermediate	850	22.80	18.20		16.70						
				Low	850	15.00	14.80		33.20	10.40					
HMH72B481S	MVC20DN21	24.5	CF64D	High	1775	48.00	35.60	18.25	10.25	47.00	30.20	9.50	7.50	3.52	2.54
				Intermediate	1150	28.80	18.30		17.60						
				Low	1150	16.50	15.40		34.75	17.50					
HMH72B481S	MVC20DN21	24.5	CM64D	High	1775	48.00	35.60	18.25	10.25	47.00	30.20	9.50	7.50	3.52	2.54
				Intermediate	1150	28.80	18.30		17.60						
				Low	1150	16.50	15.40		34.75	17.50					
HMH72B481S	MVC14DN21	24.5	CF64D	High	1450	48.00	33.40	18.25	10.25	45.50	29.20	9.00	7.25	3.38	2.50
				Intermediate	900	27.60	15.50		17.30						
				Low	900	16.00	13.40		36.70	16.90					
HMH72B481S	MVC14DN21	24.5	CM64D	High	1450	48.00	33.40	18.25	10.25	45.50	29.20	9.00	7.25	3.38	2.50
				Intermediate	900	27.60	15.50		17.30						
				Low	900	16.00	13.40		36.70	16.90					
HMH72B481S	ME14DN21	24.5	CF64D	High	1475	48.00	33.40	17.75	10.00	46.00	30.00	9.30	7.60	3.38	2.52
				Intermediate	1000	28.00	16.70		16.95						
				Low	1000	16.10	14.20		32.65	16.90					
HMH72B481S	ME14DN21	24.5	CM64D	High	1475	48.00	33.40	17.75	10.00	46.00	30.00	9.30	7.60	3.38	2.52
				Intermediate	1000	28.00	16.70		16.95						
				Low	1000	16.10	14.20		32.65	16.90					
HMH72B481S	ME16CN21	21.0	XAHC60H	High	1525	47.50	33.20	17.50	9.75	47.00	29.20	8.50	6.70	3.28	2.40
				Intermediate	875	27.20	15.20		16.75						
				Low	875	16.00	13.60		33.90	16.90					
HMH72B481S	MVC12CN21	21.0	XAFC60H	High	1400	48.00	33.00	18.25	10.25	47.00	28.80	9.00	7.15	3.36	2.48
				Intermediate	725	27.20	13.90		17.45						
				Low	725	16.20	12.80		39.80	16.60					
HMH72B481S	ME12CN21	21.0	XAHC60H	High	1300	47.00	31.80	17.75	10.00	45.50	28.60	9.00	7.15	3.26	2.44
				Intermediate	1000	27.80	16.70		17.00						
				Low	1000	16.30	14.60		33.55	16.90					
HMH72B481S	JMVT17CC2N1A	21.0	XAHC60H	High	1600	48.00	34.20	18.00	10.00	46.50	29.40	9.30	7.40	3.38	2.46
				Intermediate	1050	28.20	17.40		17.40						
				Low	1050	16.50	15.00		35.35	16.90					
HMH72B481S	JMET18DS2N1A	24.5	XAFD60J	High	1675	48.00	34.60	18.50	10.00	48.00	29.80	9.50	7.45	3.48	2.52
				Intermediate	1175	29.40	19.40		17.85						
				Low	1175	17.10	16.30		34.75	18.10					
HMH72B481S	JMET18DS2N1A	24.5	XAHD60J	High	1550	46.50	34.00	18.00	9.50	46.00	29.40	7.80	5.95	3.36	2.42
				Intermediate	1100	28.20	18.70		16.85						
				Low	1100	16.40	15.40		32.15	17.50					
HMH72B481S	ME14DN21	24.5	XAHD60J	High	1450	46.50	33.40	17.75	9.75	45.50	28.80	9.00	7.20	3.36	2.44
				Intermediate	1000	27.80	17.40		16.90						
				Low	1000	16.30	14.70		33.70	17.20					
HMH72B481S	MVC16CN21	21.0	XAFC60H	High	1500	48.00	33.60	18.50	10.50	47.50	29.80	9.30	7.40	3.44	2.54
				Intermediate	950	28.20	16.50		17.55						
				Low	950	16.60	14.50		36.45	17.00					



**Table 5: Air handler capacity**

Outdoor unit model	Air handler model	Air handler width (in.)	Indoor coil model	Stage	Rated CFM	Net cool (MBH)	Sens cool (MBH)	SEER2	EER2	Net47 (MBH)	Net17 (MBH)	HSPF2 IV	HSPF2 V	Cop47	Cop17
HMH72B481S	JMVT20DC2N1A	24.5	XAHD60J	High	1550	48.00	33.80	18.00	10.00	46.50	29.20	9.30	7.35	3.36	2.46
				Intermediate	1150	28.60	18.50		17.40						
				Low	1150	16.60	15.70		33.90						
HMH72B481S	JMVT16CC2N1A	21.0	XAHC60H	High	1600	48.00	34.20	18.50	10.00	46.50	29.40	9.30	7.35	3.38	2.48
				Intermediate	1025	28.20	17.10		17.75						
				Low	1025	16.50	14.70		38.05						
HMH72B481S	JMET16CS2N1A	21.0	XAHC60H	High	1675	48.00	34.60	18.00	10.00	47.50	29.40	9.00	7.15	3.38	2.44
				Intermediate	975	27.80	16.40		17.45						
				Low	975	16.40	14.40		36.75						
HMH72B481S	JMVT20DC2N1A	24.5	XAFD60J	High	1550	47.50	34.80	18.00	10.00	47.00	29.80	7.80	6.15	3.44	2.48
				Intermediate	1150	29.00	19.90		17.15						
				Low	1150	16.80	16.00		31.95						
HMH72B481S	JMET18DS2N1A	24.5	XAFD60H	High	1575	48.00	34.00	18.00	10.00	48.00	29.80	7.80	6.05	3.40	2.46
				Intermediate	1075	28.80	18.20		17.25						
				Low	1075	16.70	15.50		32.55						
HMH72B481S	JMET18DS2N1A	24.5	XAUD60H	High	1575	48.00	34.00	18.00	10.00	48.00	29.80	7.80	6.05	3.40	2.46
				Intermediate	1075	28.80	18.20		17.25						
				Low	1075	16.70	15.50		32.55						
HMH72B481S	ME14DN21	24.5	XAFD60J	High	1475	47.50	34.20	18.00	10.00	46.50	29.40	9.00	7.10	3.44	2.50
				Intermediate	1000	28.40	17.90		17.30						
				Low	1000	16.60	15.00		34.50						
HMH72B481S	MVC14DN21	24.5	XAHD60J	High	1475	46.50	33.60	18.25	10.00	45.50	29.40	9.30	7.35	3.42	2.50
				Intermediate	900	27.40	16.00		17.35						
				Low	900	16.20	13.90		38.20						
HMH72B481S	JMVT20DC2N1A	24.5	XAHD60H	High	1550	48.00	33.80	18.00	10.00	46.50	29.00	9.30	7.30	3.38	2.48
				Intermediate	1150	28.60	18.50		17.40						
				Low	1150	16.60	15.70		33.75						
HMH72B481S	JMVT16CC2N1A	21.0	XAFC60H	High	1600	48.00	34.20	18.50	10.00	47.50	30.00	9.50	7.50	3.46	2.52
				Intermediate	1025	28.60	17.40		17.85						
				Low	1025	16.80	15.10		37.00						
HMH72B481S	JMET16CS2N1A	21.0	XAFC60H	High	1675	48.00	34.60	18.00	10.00	48.00	30.00	9.30	7.45	3.46	2.50
				Intermediate	950	28.20	16.50		17.60						
				Low	950	16.60	14.50		36.80						
HMH72B481S	JMVT20DC2N1A	24.5	XAFD60H	High	1550	48.00	33.80	18.50	10.00	48.00	29.60	7.80	6.05	3.40	2.48
				Intermediate	875	27.80	15.70		17.10						
				Low	875	16.30	13.90		34.70						
HMH72B481S	JMVT20DC2N1A	24.5	XAUD60H	High	1550	48.00	33.80	18.50	10.00	48.00	29.60	7.80	6.05	3.40	2.48
				Intermediate	875	27.80	15.70		17.10						
				Low	875	16.30	13.90		34.70						
HMH72B481S	MVC14DN21	24.5	XAFD60J	High	1475	47.50	34.20	18.50	10.25	46.00	29.80	9.50	7.45	3.50	2.56
				Intermediate	900	28.00	16.50		17.70						
				Low	900	16.60	14.30		39.10						
HMH72B481S	JMVT17CC2N1A	21.0	XAFC60H	High	1600	48.00	34.20	18.50	10.00	48.00	30.00	7.80	6.20	3.40	2.46
				Intermediate	900	28.00	16.00		17.30						
				Low	900	16.40	14.10		35.55						
HMH72B481S	MVC16CN21	21.0	XAHC60H	High	1500	47.50	33.20	18.00	10.00	46.50	28.80	9.00	7.00	3.34	2.44
				Intermediate	950	27.60	16.10		17.15						
				Low	950	16.20	14.10		35.45						
HMH72B481S	MVC12CN21	21.0	XAHC60H	High	1350	47.00	32.00	18.00	10.25	45.50	28.60	9.00	7.10	3.30	2.46
				Intermediate	725	26.60	13.40		17.25						
				Low	725	15.90	12.50		40.10						
HMH72B481S	JMET18DS2N1A	24.5	XAHD60H	High	1675	48.00	34.60	18.00	10.00	47.50	29.20	9.30	7.25	3.42	2.48
				Intermediate	1175	28.80	18.90		17.45						
				Low	1175	16.70	15.90		33.85						
HMH72B481S	ME16CN21	21.0	XAFC60H	High	1550	48.00	33.80	18.00	10.00	48.00	29.80	9.00	7.15	3.38	2.46
				Intermediate	900	27.80	15.80		17.25						
				Low	900	16.40	14.10		35.05						
HMH72B481S	ME12CN21	21.0	XAFC60H	High	1300	48.00	32.40	18.00	10.25	46.50	29.20	9.00	7.20	3.32	2.48
				Intermediate	975	28.20	16.80		17.15						
				Low	975	16.50	14.70		33.45						

**Table 5: Air handler capacity**

Outdoor unit model	Air handler model	Air handler width (in.)	Indoor coil model	Stage	Rated CFM	Net cool (MBH)	Sens cool (MBH)	SEER2	EER2	Net47 (MBH)	Net17 (MBH)	HSPF2 IV	HSPF2 V	Cop47	Cop17
HMH72B481S	AE60DX21	24.5	—	High	1500	48.00	34.40	18.00	10.50	46.00	30.20	9.50	8.00	3.34	2.52
				Intermediate	1225	28.60	19.80		17.20						
				Low	1225	15.90	15.90		31.60	17.60					
HMH72B481S	AE60D	24.5	—	High	1500	48.00	34.40	18.00	10.50	46.00	30.20	9.50	8.00	3.34	2.52
				Intermediate	1225	28.60	19.80		17.20						
				Low	1225	15.90	15.90		31.60	17.60					
HMH72B481S	AVC60DX21	24.5	—	High	1750	48.00	35.20	17.50	9.75	47.50	30.60	9.30	6.60	3.42	2.48
				Intermediate	1125	28.60	18.10		17.05						
				Low	1125	16.30	15.20		31.70	17.60					
HMH72B481S	JHVTD60JXXC2N1	24.5	—	High	1750	48.00	36.60	18.50	10.25	47.50	29.80	9.50	7.50	3.66	2.60
				Intermediate	1125	29.20	19.60		18.15						
				Low	1125	17.10	15.90		38.25	17.70					
HMH72B481S	JHETD60JXS2N1	24.5	—	High	1725	48.00	36.40	18.50	10.25	47.50	30.00	9.50	7.45	3.62	2.56
				Intermediate	1100	29.00	19.30		17.65						
				Low	1100	16.90	15.70		35.35	17.80					
HMH72B481S	JHETC60HXS2N1	21.0	—	High	1625	48.00	34.40	18.00	10.25	48.00	29.60	9.30	6.70	3.46	2.50
				Intermediate	1075	28.80	18.10		17.55						
				Low	1075	16.80	15.50		34.20	17.80					
HMH72B481S	JHVTC60HXC2N1	21.0	—	High	1650	48.00	34.60	18.50	10.00	48.00	29.80	9.50	7.40	3.48	2.52
				Intermediate	1050	28.80	17.80		17.95						
				Low	1050	16.90	15.30		37.30	17.60					
HMH72B481S	JHETD60JBCS2N1	24.5	—	High	1725	48.00	36.40	18.50	10.25	47.50	30.00	9.50	7.45	3.62	2.56
				Intermediate	1100	29.00	19.30		17.65						
				Low	1100	16.90	15.70		35.35	17.80					
HMH72B481S	JHETC60HBCS2N1	24.5	—	High	1575	48.00	34.00	18.50	10.00	48.00	29.80	7.80	6.15	3.38	2.46
				Intermediate	1100	28.80	18.30		17.35						
				Low	1100	16.80	15.70		32.70	4.20					
HMH72B481S	JHVTD60JBCC2N1	24.5	—	High	1750	48.00	36.60	18.50	10.25	47.50	29.80	9.50	7.50	3.66	2.60
				Intermediate	1125	29.20	19.60		18.15						
				Low	1125	17.10	15.90		38.25	17.70					
HMH72B481S	JHVTD60HBCC2N1	24.5	—	High	1500	48.00	33.60	18.00	10.00	47.50	29.40	7.80	6.30	3.38	2.48
				Intermediate	1125	29.00	18.70		17.25						
				Low	1125	16.80	15.90		32.00	4.60					
HMH72B481S	JHETD60HBCS2N1	24.5	—	High	1575	48.00	34.00	18.50	10.00	48.00	29.80	7.80	6.05	3.40	2.46
				Intermediate	1100	28.80	18.30		17.40						
				Low	1100	16.80	15.70		33.00	4.70					
HMH72B481S	JHVTC60HBCC2N1	21.0	—	High	1525	48.00	33.60	18.00	10.00	48.00	29.80	7.80	6.15	3.36	2.44
				Intermediate	1050	28.60	17.80		17.15						
				Low	1050	16.60	15.20		32.30	4.50					
HMH72B601S	ME20DN21	24.5	CF64D	High	1925	59.00	41.00	16.25	8.50	56.50	39.00	9.50	7.60	3.34	2.62
				Intermediate	1225	33.80	19.70		16.10						
				Low	1225	18.50	16.90		31.15	18.10					
HMH72B601S	ME20DN21	24.5	CM64D	High	1925	59.00	41.00	16.25	8.50	56.50	39.00	9.50	7.60	3.34	2.62
				Intermediate	1225	33.80	19.70		16.10						
				Low	1225	18.50	16.90		31.15	18.10					
HMH72B601S	MVC20DN21	24.5	CF64D	High	1950	59.00	41.00	16.75	8.50	56.50	39.00	9.50	7.80	3.34	2.62
				Intermediate	1225	34.00	19.80		16.40						
				Low	1225	18.60	16.90		33.30	18.00					
HMH72B601S	MVC20DN21	24.5	CM64D	High	1950	59.00	41.00	16.75	8.50	56.50	39.00	9.50	7.80	3.34	2.62
				Intermediate	1225	34.00	19.80		16.40						
				Low	1225	18.60	16.90		33.30	18.00					
HMH72B601S	ME20DN21	24.5	XAHD60J	High	1875	57.50	40.00	16.25	8.00	57.00	36.60	9.30	7.00	3.26	2.46
				Intermediate	1200	33.60	19.70		15.85						
				Low	1200	20.20	18.50		34.05	17.80					
HMH72B601S	JMET18DS2N1A	24.5	XAFD60J	High	1575	58.50	39.50	17.00	8.50	57.00	36.40	7.80	6.25	3.20	2.46
				Intermediate	1100	34.40	19.40		16.35						
				Low	1100	19.10	16.90		33.10	17.90					
HMH72B601S	ME20DN21	24.5	XAFD60J	High	1900	59.00	41.50	16.75	8.25	58.50	37.20	9.50	7.60	3.34	2.52
				Intermediate	1225	34.40	20.60		16.30						
				Low	1225	20.80	19.20		35.10	18.20					

**Table 5: Air handler capacity**

Outdoor unit model	Air handler model	Air handler width (in.)	Indoor coil model	Stage	Rated CFM	Net cool (MBH)	Sens cool (MBH)	SEER2	EER2	Net47 (MBH)	Net17 (MBH)	HSPF2 IV	HSPF2 V	Cop47	Cop17
HMH72B601S	JMVT20DC2N1A	24.5	XAFD60J	High	1550	57.50	38.50	17.00	8.50	56.50	36.00	9.50	7.35	3.24	2.50
				Intermediate	1150	34.00	19.50		16.35						
				Low	1150	20.40	18.30		36.30	17.90				4.60	
HMH72B601S	JMET18DS2N1A	24.5	XAHD60J	High	1675	57.00	39.00	16.50	8.50	56.00	35.80	9.25	7.35	3.20	2.46
				Intermediate	1175	33.60	19.40		16.05						
				Low	1175	20.20	18.30		35.45	17.60				4.52	
HMH72B601S	JMVT20DC2N1A	24.5	XAHD60J	High	1550	57.00	38.00	17.00	8.50	56.00	35.60	7.80	6.35	3.14	2.42
				Intermediate	875	32.40	15.90		15.85						
				Low	875	18.00	14.60		34.60	16.90				4.32	
HMH72B601S	MVC20DN21	24.5	XAHD60J	High	1925	57.50	40.50	16.75	8.00	57.50	36.80	9.30	6.50	3.28	2.46
				Intermediate	1225	33.80	20.00		16.20						
				Low	1225	20.40	18.70		36.35	17.70				4.60	
HMH72B601S	MVC20DN21	24.5	XAFD60J	High	1900	59.00	41.50	17.00	8.25	58.50	37.20	9.50	7.45	3.34	2.52
				Intermediate	1225	34.60	20.60		16.60						
				Low	1225	20.80	19.10		37.30	18.00				4.70	
HMH72B601S	AE60DX21	24.5	—	High	1700	58.50	40.00	17.00	8.50	56.00	36.80	10.00	8.45	3.24	2.52
				Intermediate	1225	34.60	34.60		16.45						
				Low	1225	18.80	18.70		31.75	18.20				4.62	
HMH72B601S	AE60D	24.5	—	High	1700	58.50	40.00	17.00	8.50	56.00	36.80	10.00	8.45	3.24	2.52
				Intermediate	1225	34.60	34.60		16.45						
				Low	1225	18.80	18.70		31.75	18.20				4.62	
HMH72B601S	AVC60DX21	24.5	—	High	1775	57.50	39.00	16.25	8.25	56.00	39.00	9.50	7.65	3.22	2.56
				Intermediate	1125	33.40	18.60		16.00						
				Low	1125	18.30	16.20		31.60	17.90				4.54	
HMH72B601S	JHETD60JXS2N1	24.5	—	High	1725	58.50	40.00	17.00	8.50	57.50	36.40	9.50	7.50	3.32	2.54
				Intermediate	1250	34.60	21.00		16.40						
				Low	1250	20.80	19.30		35.80	18.20				4.62	
HMH72B601S	JHVTD60JXC2N1	24.5	—	High	1750	59.00	41.00	17.25	8.75	57.00	36.40	9.50	7.40	3.36	2.56
				Intermediate	1125	34.00	19.20		16.65						
				Low	1125	20.40	18.10		39.15	17.70				4.70	
HMH72B601S	JHETD60JBCS2N1	24.5	—	High	1550	58.50	39.50	17.50	8.50	57.00	36.40	7.80	6.40	3.20	2.46
				Intermediate	1100	34.40	19.40		16.35						
				Low	1100	19.10	16.90		33.30	4.20				1.04	
HMH72B601S	JHVTD60JBCC2N1	24.5	—	High	1750	59.00	41.00	17.25	8.75	57.00	36.40	9.50	7.40	3.36	2.56
				Intermediate	1125	34.00	19.20		16.65						
				Low	1125	20.40	18.10		39.15	17.70				4.70	
HMH72B341S	JMET12CS2N1A	21.0	XAHC48F	High	1325	33.80	25.20	17.50	9.50	37.40	24.80	8.50	5.70	3.34	2.56
				Intermediate	800	21.80	12.30		16.05						
				Low	800	16.40	12.90		31.15	11.20				4.62	
HMH72B341S	JMET12CS2N1A	21.0	XAFC48F	High	1325	34.00	25.40	17.50	9.50	38.00	25.40	8.50	5.50	3.40	2.60
				Intermediate	775	22.00	12.30		16.25						
				Low	775	16.70	13.00		31.35	11.40				4.64	
HMH72B341S	JMET12CS2N1A	21.0	XAUC48F	High	1325	34.00	25.40	17.50	9.50	38.00	25.40	8.50	5.50	3.40	2.60
				Intermediate	775	22.00	12.30		16.25						
				Low	775	16.70	13.00		31.35	11.40				4.64	
HMH72B341S	JHVTC36DBCC2N1	21.0	—	High	1350	34.00	26.40	18.50	10.50	39.50	25.40	8.50	5.55	3.56	2.64
				Intermediate	675	22.00	12.00		17.20						
				Low	675	16.70	12.60		34.50	11.00				4.68	
HMH72B341S	JHVTB36DBCC2N1	17.5	—	High	1150	34.00	24.80	18.50	10.00	39.00	25.20	8.50	6.05	3.36	2.54
				Intermediate	575	21.40	10.80		16.95						
				Low	575	16.50	11.60		34.55	10.70				4.54	
HMH72B341S	JHETB36DBCS2N1	17.5	—	High	1200	34.00	25.20	18.50	10.00	39.00	25.40	8.50	6.15	3.40	2.56
				Intermediate	600	21.60	11.20		16.75						
				Low	600	16.50	11.80		33.30	10.90				4.42	
HMH72B341S	JHETB30DBAS2N1	17.5	—	High	950	34.00	23.60	18.50	10.50	37.80	24.80	8.50	6.15	3.26	2.54
				Intermediate	600	21.60	11.20		16.65						
				Low	600	16.50	11.90		32.80	10.90				4.38	
HMH72B341S	JHVTC42FBCC2N1	21.0	—	High	1250	34.00	25.00	17.50	10.00	37.60	25.00	8.50	5.35	3.38	2.62
				Intermediate	650	21.40	11.00		16.05						
				Low	650	16.30	11.60		31.65	11.00				4.58	

**Table 5: Air handler capacity**

Outdoor unit model	Air handler model	Air handler width (in.)	Indoor coil model	Stage	Rated CFM	Net cool (MBH)	Sens cool (MBH)	SEER2	EER2	Net47 (MBH)	Net17 (MBH)	HSPF2 IV	HSPF2 V	Cop47	Cop17
HMH72B341S	JHETC42FBCS2N1	21.0	—	High	1125	33.80	24.00	17.50	9.50	37.20	25.20	8.50	5.50	3.26	2.60
				Intermediate	650	21.40	11.00		16.05						
				Low	650	16.30	11.60		31.65	11.00					
HMH72B341S	JHETC36DBCS2N1	21.0	—	High	1175	34.00	25.20	18.50	10.50	39.00	25.00	8.50	5.85	3.42	2.58
				Intermediate	650	21.80	11.70		16.95						
				Low	650	16.60	12.30		33.65	11.00					

## Air handler capacity notes

**Note:**

- Rated in accordance with DOE test procedures (Federal Register 12-27-79 and 3-18-88) and ANSI/AHRI Standard 210/240.
- The cooling MBH is based on 80°F entering air temperature, 50% RH, and rated airflow. EER2 (energy efficiency ratio) is the total cooling output in Btu at 95°F outdoor ambient divided by the total electric power in watt-hours at those conditions. SEER2 (seasonal energy efficiency ratio) is the total cooling output in Btu during a normal annual usage period for cooling divided by the total electric power input in watt-hours during the same period.
- Heating MBH is based on AHRI standards of 70°F DB (dry bulb) entering indoor air, 72% RH outdoor air with 25 ft of interconnecting piping, and no supplemental electric heat operation.
- HSPF2 (heating seasonal performance factor) is the total heating output during a normal annual usage period for heating divided by the total electric power input during the same period.
- COP (coefficient of performance) equals heating MBH output divided by total kW input x 3.412.

## Furnace capacity - 2 ton

**Table 6: Furnace capacity - 2 ton**

Outdoor unit model	Furnace model	Furnace width (in.)	Indoor coil model	Stage	Rated CFM	Net cool (MBH)	Sens cool (MBH)	SEER2	EER2	Net47 (MBH)	Net17 (MBH)	HSPF2 IV	HSPF2 V	Cop47	Cop17
HMH72B241S	TM8V100C16MP12C	21.0	CU36C	High	875	22.20	17.70	17.50	10.00	21.80	14.30	9.50	7.05	3.32	2.42
				Intermediate	625	13.20	9.40		16.35						
				Low	625	8.80	8.00		34.45	5.90					
HMH72B241S	TM8V080C16MP12C	21.0	CU36C	High	875	22.20	17.70	17.50	10.00	21.80	14.30	9.50	7.05	3.32	2.42
				Intermediate	625	13.20	9.40		16.35						
				Low	625	8.80	8.00		34.45	5.90					
HMH72B241S	TMLV100C16MP12C	21.0	CU36C	High	875	22.20	17.70	17.50	10.00	21.80	14.30	9.50	7.05	3.32	2.42
				Intermediate	625	13.20	9.40		16.35						
				Low	625	8.80	8.00		34.45	5.90					
HMH72B241S	TPLC080C16MP13C	21.0	CU36C	High	875	22.20	17.70	17.50	10.00	21.80	14.30	9.50	7.05	3.32	2.42
				Intermediate	625	13.20	9.40		16.35						
				Low	625	8.80	8.00		34.45	5.90					
HMH72B241S	TPLC100C16MP13C	21.0	CU36C	High	875	22.20	17.70	17.50	10.00	21.80	14.30	9.50	7.05	3.32	2.42
				Intermediate	625	13.20	9.40		16.35						
				Low	625	8.80	8.00		34.45	5.90					
HMH72B241S	YPLC080C16MP13C	21.0	CU36C	High	875	22.20	17.70	17.50	10.00	21.80	14.30	9.50	7.05	3.32	2.42
				Intermediate	625	13.20	9.40		16.35						
				Low	625	8.80	8.00		34.45	5.90					

**Table 6: Furnace capacity - 2 ton**

Outdoor unit model	Furnace model	Furnace width (in.)	Indoor coil model	Stage	Rated CFM	Net cool (MBH)	Sens cool (MBH)	SEER2	EER2	Net47 (MBH)	Net17 (MBH)	HSPF2 IV	HSPF2 V	Cop47	Cop17
HMH72B241S	YPLC100C16MP13C	21.0	CU36C	High	875	22.20	17.70	17.50	10.00	21.80	14.30	9.50	7.05	3.32	2.42
				Intermediate	625	13.20	9.40		16.35						
				Low	625	8.80	8.00		34.45						
HMH72B241S	TM9V060B12MP12C	21.0	CU36C	High	875	22.00	17.50	17.00	9.75	21.80	14.50	9.50	7.15	3.26	2.38
				Intermediate	575	13.10	8.90		16.15						
				Low	575	8.70	7.70		33.40						
HMH72B241S	TP9C060B12MP13C	21.0	CU36C	High	875	22.00	17.50	17.00	9.75	21.80	14.50	9.50	7.15	3.26	2.38
				Intermediate	575	13.10	8.90		16.15						
				Low	575	8.70	7.70		33.40						
HMH72B241S	YP9C060B12MP13C	21.0	CU36C	High	875	22.00	17.50	17.00	9.75	21.80	14.50	9.50	7.15	3.26	2.38
				Intermediate	575	13.10	8.90		16.15						
				Low	575	8.70	7.70		33.40						
HMH72B241S	TL9E060B12UH11	21.0	CU36C	High	875	22.00	17.50	16.75	9.75	22.00	14.50	8.50	6.40	3.26	2.38
				Intermediate	700	13.30	10.20		15.80						
				Low	700	8.90	8.40		30.85						
HMH72B241S	TM9V080B12MP12C	21.0	CU36C	High	850	22.00	17.40	17.25	10.00	21.60	14.30	9.50	7.00	3.26	2.38
				Intermediate	600	13.10	9.10		16.20						
				Low	600	8.80	7.90		33.55						
HMH72B241S	TP9C080B12MP13C	21.0	CU36C	High	850	22.00	17.40	17.25	10.00	21.60	14.30	9.50	7.00	3.26	2.38
				Intermediate	600	13.10	9.10		16.20						
				Low	600	8.80	7.90		33.55						
HMH72B241S	YP9C080B12MP13C	21.0	CU36C	High	850	22.00	17.40	17.25	10.00	21.60	14.30	9.50	7.00	3.26	2.38
				Intermediate	600	13.10	9.10		16.20						
				Low	600	8.80	7.90		33.55						
HMH72B241S	TM8V080B12MP12C	21.0	CU36C	High	825	21.80	17.00	17.00	10.00	21.60	14.30	9.30	6.20	3.20	2.36
				Intermediate	550	13.00	8.50		16.05						
				Low	550	8.70	7.70		32.90						
HMH72B241S	TPLC080B12MP13C	21.0	CU36C	High	825	21.80	17.00	17.00	10.00	21.60	14.30	9.30	6.20	3.20	2.36
				Intermediate	550	13.00	8.50		16.05						
				Low	550	8.70	7.70		32.90						
HMH72B241S	YPLC080B12MP13C	21.0	CU36C	High	825	21.80	17.00	17.00	10.00	21.60	14.30	9.30	6.20	3.20	2.36
				Intermediate	550	13.00	8.50		16.05						
				Low	550	8.70	7.70		32.90						
HMH72B241S	TM8V100C16MP12C	21.0	CU36C	High	875	22.20	17.70	17.50	10.00	21.80	14.30	9.50	7.05	3.32	2.42
				Intermediate	625	13.20	9.40		16.35						
				Low	625	8.80	8.00		34.45						
HMH72B241S	TM8V080C16MP12C	21.0	CU36C	High	875	22.20	17.70	17.50	10.00	21.80	14.30	9.50	7.05	3.32	2.42
				Intermediate	625	13.20	9.40		16.35						
				Low	625	8.80	8.00		34.45						
HMH72B241S	TMLV100C16MP12C	21.0	CU36C	High	875	22.20	17.70	17.50	10.00	21.80	14.30	9.50	7.05	3.32	2.42
				Intermediate	625	13.20	9.40		16.35						
				Low	625	8.80	8.00		34.45						
HMH72B241S	TPLC080C16MP13C	21.0	CU36C	High	875	22.20	17.70	17.50	10.00	21.80	14.30	9.50	7.05	3.32	2.42
				Intermediate	625	13.20	9.40		16.35						
				Low	625	8.80	8.00		34.45						
HMH72B241S	TPLC100C16MP13C	21.0	CU36C	High	875	22.20	17.70	17.50	10.00	21.80	14.30	9.50	7.05	3.32	2.42
				Intermediate	625	13.20	9.40		16.35						
				Low	625	8.80	8.00		34.45						
HMH72B241S	YPLC080C16MP13C	21.0	CU36C	High	875	22.20	17.70	17.50	10.00	21.80	14.30	9.50	7.05	3.32	2.42
				Intermediate	625	13.20	9.40		16.35						
				Low	625	8.80	8.00		34.45						
HMH72B241S	YPLC100C16MP13C	21.0	CU36C	High	875	22.20	17.70	17.50	10.00	21.80	14.30	9.50	7.05	3.32	2.42
				Intermediate	625	13.20	9.40		16.35						
				Low	625	8.80	8.00		34.45						
HMH72B241S	TM9V060B12MP12C	21.0	CU36C	High	875	22.00	17.50	17.00	9.75	21.80	14.50	9.50	7.15	3.26	2.38
				Intermediate	575	13.10	8.90		16.15						
				Low	575	8.70	7.70		33.40						
HMH72B241S	TP9C060B12MP13C	21.0	CU36C	High	875	22.00	17.50	17.00	9.75	21.80	14.50	9.50	7.15	3.26	2.38
				Intermediate	575	13.10	8.90		16.15						
				Low	575	8.70	7.70		33.40						

**Table 6: Furnace capacity - 2 ton**

Outdoor unit model	Furnace model	Furnace width (in.)	Indoor coil model	Stage	Rated CFM	Net cool (MBH)	Sens cool (MBH)	SEER2	EER2	Net47 (MBH)	Net17 (MBH)	HSPF2 IV	HSPF2 V	Cop47	Cop17
HMH72B241S	YP9C060B12MP13C	21.0	CU36C	High	875	22.00	17.50	17.00	9.75	21.80	14.50	9.50	7.15	3.26	2.38
				Intermediate	575	13.10	8.90		16.15						
				Low	575	8.70	7.70		33.40						
HMH72B241S	TL9E060B12UH11	21.0	CU36C	High	875	22.00	17.50	16.75	9.75	22.00	14.50	8.50	6.40	3.26	2.38
				Intermediate	700	13.30	10.20		15.80						
				Low	700	8.90	8.40		30.85						
HMH72B241S	TM9V080B12MP12C	21.0	CU36C	High	850	22.00	17.40	17.25	10.00	21.60	14.30	9.50	7.00	3.26	2.38
				Intermediate	600	13.10	9.10		16.20						
				Low	600	8.80	7.90		33.55						
HMH72B241S	TP9C080B12MP13C	21.0	CU36C	High	850	22.00	17.40	17.25	10.00	21.60	14.30	9.50	7.00	3.26	2.38
				Intermediate	600	13.10	9.10		16.20						
				Low	600	8.80	7.90		33.55						
HMH72B241S	YP9C080B12MP13C	21.0	CU36C	High	850	22.00	17.40	17.25	10.00	21.60	14.30	9.50	7.00	3.26	2.38
				Intermediate	600	13.10	9.10		16.20						
				Low	600	8.80	7.90		33.55						
HMH72B241S	TM8V080B12MP12C	21.0	CU36C	High	825	21.80	17.00	17.00	10.00	21.60	14.30	9.30	6.20	3.20	2.36
				Intermediate	550	13.00	8.50		16.05						
				Low	550	8.70	7.70		32.90						
HMH72B241S	TPLC080B12MP13C	21.0	CU36C	High	825	21.80	17.00	17.00	10.00	21.60	14.30	9.30	6.20	3.20	2.36
				Intermediate	550	13.00	8.50		16.05						
				Low	550	8.70	7.70		32.90						
HMH72B241S	YPLC080B12MP13C	21.0	CU36C	High	825	21.80	17.00	17.00	10.00	21.60	14.30	9.30	6.20	3.20	2.36
				Intermediate	550	13.00	8.50		16.05						
				Low	550	8.70	7.70		32.90						
HMH72B241S	TM9Y060B12MP11	21.0	CU36C	High	875	22.00	17.50	16.50	9.75	22.00	14.50	9.00	7.20	3.26	2.38
				Intermediate	725	13.30	10.50		15.60						
				Low	725	8.90	8.50		29.95						
HMH72B241S	TM9Y060B12MP11	21.0	CU36C	High	875	22.00	17.50	16.50	9.75	22.00	14.50	9.00	7.20	3.26	2.38
				Intermediate	725	13.30	10.50		15.60						
				Low	725	8.90	8.50		29.95						
HMH72B241S	TM9V060B12MP12C	21.0	CF36C	High	875	22.00	17.50	17.00	9.75	21.80	14.50	9.50	7.15	3.26	2.38
				Intermediate	575	13.10	8.90		16.15						
				Low	575	8.70	7.70		33.40						
HMH72B241S	TP9C060B12MP13C	21.0	CF36C	High	875	22.00	17.50	17.00	9.75	21.80	14.50	9.50	7.15	3.26	2.38
				Intermediate	575	13.10	8.90		16.15						
				Low	575	8.70	7.70		33.40						
HMH72B241S	YP9C060B12MP13C	21.0	CF36C	High	875	22.00	17.50	17.00	9.75	21.80	14.50	9.50	7.15	3.26	2.38
				Intermediate	575	13.10	8.90		16.15						
				Low	575	8.70	7.70		33.40						
HMH72B241S	TM9V060B12MP12C	21.0	CM36C	High	875	22.00	17.50	17.00	9.75	21.80	14.50	9.50	7.15	3.26	2.38
				Intermediate	575	13.10	8.90		16.15						
				Low	575	8.70	7.70		33.40						
HMH72B241S	TP9C060B12MP13C	21.0	CM36C	High	875	22.00	17.50	17.00	9.75	21.80	14.50	9.50	7.15	3.26	2.38
				Intermediate	575	13.10	8.90		16.15						
				Low	575	8.70	7.70		33.40						
HMH72B241S	YP9C060B12MP13C	21.0	CM36C	High	875	22.00	17.50	17.00	9.75	21.80	14.50	9.50	7.15	3.26	2.38
				Intermediate	575	13.10	8.90		16.15						
				Low	575	8.70	7.70		33.40						
HMH72B241S	TM9E060A10MP12	14.5	CF36A	High	850	21.80	17.20	15.75	9.50	22.00	14.60	8.50	6.10	3.18	2.34
				Intermediate	700	13.20	10.20		15.10						
				Low	700	8.80	8.40		27.60						
HMH72B241S	TM9E060A10MP12	14.5	CM36A	High	850	21.80	17.20	15.75	9.50	22.00	14.60	8.50	6.10	3.18	2.34
				Intermediate	700	13.20	10.20		15.10						
				Low	700	8.80	8.40		27.60						
HMH72B241S	TM9E040A10MP12	14.5	CF36A	High	850	21.60	17.00	15.75	9.25	22.00	14.70	8.50	6.35	3.14	2.30
				Intermediate	650	13.10	9.70		15.10						
				Low	650	8.70	8.10		27.80						
HMH72B241S	TM9E040A10MP12	14.5	CM36A	High	850	21.60	17.00	15.75	9.25	22.00	14.70	8.50	6.35	3.14	2.30
				Intermediate	650	13.10	9.70		15.10						
				Low	650	8.70	8.10		27.80						

**Table 6: Furnace capacity - 2 ton**

Outdoor unit model	Furnace model	Furnace width (in.)	Indoor coil model	Stage	Rated CFM	Net cool (MBH)	Sens cool (MBH)	SEER2	EER2	Net47 (MBH)	Net17 (MBH)	HSPF2 IV	HSPF2 V	Cop47	Cop17
HMH72B241S	TM9E026A08MP12	17.5	CF36B	High	875	21.60	17.20	16.50	9.25	22.20	14.80	8.50	6.10	3.18	2.32
				Intermediate	550	13.00	8.60		15.65						
				Low	550	8.60	7.60		30.85						
HMH72B241S	TM9E026A08MP12	17.5	CF36B	High	875	21.60	17.20	16.50	9.25	22.20	14.80	8.50	6.10	3.18	2.32
				Intermediate	550	13.00	8.60		15.65						
				Low	550	8.60	7.60		30.85						
HMH72B241S	TM9E026A08MP12	17.5	CM36B	High	875	21.60	17.20	16.50	9.25	22.20	14.80	8.50	6.10	3.18	2.32
				Intermediate	550	13.00	8.60		15.65						
				Low	550	8.60	7.60		30.85						
HMH72B241S	TM9E026A08MP12	17.5	CM36B	High	875	21.60	17.20	16.50	9.25	22.20	14.80	8.50	6.10	3.18	2.32
				Intermediate	550	13.00	8.60		15.65						
				Low	550	8.60	7.60		30.85						
HMH72B241S	TM9E026A08MP12	17.5	CU36B	High	875	21.60	17.20	16.50	9.25	22.20	14.80	8.50	6.10	3.18	2.32
				Intermediate	550	13.00	8.60		15.65						
				Low	550	8.60	7.60		30.85						
HMH72B241S	TM9E026A08MP12	14.5	CF36A	High	850	21.60	17.00	16.25	9.25	22.20	14.80	8.50	6.35	3.12	2.30
				Intermediate	550	13.00	8.60		15.60						
				Low	550	8.60	7.60		30.60						
HMH72B241S	TM9E026A08MP12	14.5	CM36A	High	850	21.60	17.00	16.25	9.25	22.20	14.80	8.50	6.35	3.12	2.30
				Intermediate	550	13.00	8.60		15.60						
				Low	550	8.60	7.60		30.60						
HMH72B241S	TM8V100C16MP12C	21.0	CF36C	High	875	22.20	17.70	17.50	10.00	21.80	14.30	9.50	7.05	3.32	2.42
				Intermediate	625	13.20	9.40		16.35						
				Low	625	8.80	8.00		34.45						
HMH72B241S	TM8V080C16MP12C	21.0	CF36C	High	875	22.20	17.70	17.50	10.00	21.80	14.30	9.50	7.05	3.32	2.42
				Intermediate	625	13.20	9.40		16.35						
				Low	625	8.80	8.00		34.45						
HMH72B241S	TMLV100C16MP12C	21.0	CF36C	High	875	22.20	17.70	17.50	10.00	21.80	14.30	9.50	7.05	3.32	2.42
				Intermediate	625	13.20	9.40		16.35						
				Low	625	8.80	8.00		34.45						
HMH72B241S	TPLC080C16MP13C	21.0	CF36C	High	875	22.20	17.70	17.50	10.00	21.80	14.30	9.50	7.05	3.32	2.42
				Intermediate	625	13.20	9.40		16.35						
				Low	625	8.80	8.00		34.45						
HMH72B241S	TPLC100C16MP13C	21.0	CF36C	High	875	22.20	17.70	17.50	10.00	21.80	14.30	9.50	7.05	3.32	2.42
				Intermediate	625	13.20	9.40		16.35						
				Low	625	8.80	8.00		34.45						
HMH72B241S	YPLC080C16MP13C	21.0	CF36C	High	875	22.20	17.70	17.50	10.00	21.80	14.30	9.50	7.05	3.32	2.42
				Intermediate	625	13.20	9.40		16.35						
				Low	625	8.80	8.00		34.45						
HMH72B241S	YPLC100C16MP13C	21.0	CF36C	High	875	22.20	17.70	17.50	10.00	21.80	14.30	9.50	7.05	3.32	2.42
				Intermediate	625	13.20	9.40		16.35						
				Low	625	8.80	8.00		34.45						
HMH72B241S	TM8V100C16MP12C	21.0	CM36C	High	875	22.20	17.70	17.50	10.00	21.80	14.30	9.50	7.05	3.32	2.42
				Intermediate	625	13.20	9.40		16.35						
				Low	625	8.80	8.00		34.45						
HMH72B241S	TM8V080C16MP12C	21.0	CM36C	High	875	22.20	17.70	17.50	10.00	21.80	14.30	9.50	7.05	3.32	2.42
				Intermediate	625	13.20	9.40		16.35						
				Low	625	8.80	8.00		34.45						
HMH72B241S	TMLV100C16MP12C	21.0	CM36C	High	875	22.20	17.70	17.50	10.00	21.80	14.30	9.50	7.05	3.32	2.42
				Intermediate	625	13.20	9.40		16.35						
				Low	625	8.80	8.00		34.45						
HMH72B241S	TPLC080C16MP13C	21.0	CM36C	High	875	22.20	17.70	17.50	10.00	21.80	14.30	9.50	7.05	3.32	2.42
				Intermediate	625	13.20	9.40		16.35						
				Low	625	8.80	8.00		34.45						
HMH72B241S	TPLC100C16MP13C	21.0	CM36C	High	875	22.20	17.70	17.50	10.00	21.80	14.30	9.50	7.05	3.32	2.42
				Intermediate	625	13.20	9.40		16.35						
				Low	625	8.80	8.00		34.45						
HMH72B241S	YPLC080C16MP13C	21.0	CM36C	High	875	22.20	17.70	17.50	10.00	21.80	14.30	9.50	7.05	3.32	2.42
				Intermediate	625	13.20	9.40		16.35						
				Low	625	8.80	8.00		34.45						

**Table 6: Furnace capacity - 2 ton**

Outdoor unit model	Furnace model	Furnace width (in.)	Indoor coil model	Stage	Rated CFM	Net cool (MBH)	Sens cool (MBH)	SEER2	EER2	Net47 (MBH)	Net17 (MBH)	HSPF2 IV	HSPF2 V	Cop47	Cop17
HMH72B241S	YPLC100C16MP13C	21.0	CM36C	High	875	22.20	17.70	17.50	10.00	21.80	14.30	9.50	7.05	3.32	2.42
				Intermediate	625	13.20	9.40		16.35						
				Low	625	8.80	8.00		34.45	5.90					
HMH72B241S	TM8V080B12MP12C	21.0	CF36C	High	825	21.80	17.00	17.00	10.00	21.60	14.30	9.30	6.20	3.20	2.36
				Intermediate	550	13.00	8.50		16.05						
				Low	550	8.70	7.70		32.90	5.80					
HMH72B241S	TPLC080B12MP13C	21.0	CF36C	High	825	21.80	17.00	17.00	10.00	21.60	14.30	9.30	6.20	3.20	2.36
				Intermediate	550	13.00	8.50		16.05						
				Low	550	8.70	7.70		32.90	5.80					
HMH72B241S	YPLC080B12MP13C	21.0	CF36C	High	825	21.80	17.00	17.00	10.00	21.60	14.30	9.30	6.20	3.20	2.36
				Intermediate	550	13.00	8.50		16.05						
				Low	550	8.70	7.70		32.90	5.80					
HMH72B241S	TM8V080B12MP12C	21.0	CM36C	High	825	21.80	17.00	17.00	10.00	21.60	14.30	9.30	6.20	3.20	2.36
				Intermediate	550	13.00	8.50		16.05						
				Low	550	8.70	7.70		32.90	5.80					
HMH72B241S	TPLC080B12MP13C	21.0	CM36C	High	825	21.80	17.00	17.00	10.00	21.60	14.30	9.30	6.20	3.20	2.36
				Intermediate	550	13.00	8.50		16.05						
				Low	550	8.70	7.70		32.90	5.80					
HMH72B241S	YPLC080B12MP13C	21.0	CM36C	High	825	21.80	17.00	17.00	10.00	21.60	14.30	9.30	6.20	3.20	2.36
				Intermediate	550	13.00	8.50		16.05						
				Low	550	8.70	7.70		32.90	5.80					
HMH72B241S	TM8V080B12MP12C	17.5	CF36B	High	825	21.80	17.00	17.00	9.75	21.60	14.40	9.30	6.60	3.20	2.36
				Intermediate	550	13.00	8.60		15.95						
				Low	550	8.60	7.60		32.25	5.90					
HMH72B241S	TPLC080B12MP13C	17.5	CF36B	High	825	21.80	17.00	17.00	9.75	21.60	14.40	9.30	6.60	3.20	2.36
				Intermediate	550	13.00	8.60		15.95						
				Low	550	8.60	7.60		32.25	5.90					
HMH72B241S	YPLC080B12MP13C	17.5	CF36B	High	825	21.80	17.00	17.00	9.75	21.60	14.40	9.30	6.60	3.20	2.36
				Intermediate	550	13.00	8.60		15.95						
				Low	550	8.60	7.60		32.25	5.90					
HMH72B241S	TM8V080B12MP12C	17.5	CF36B	High	825	21.80	17.00	17.00	9.75	21.60	14.40	9.30	6.60	3.20	2.36
				Intermediate	550	13.00	8.60		15.95						
				Low	550	8.60	7.60		32.25	5.90					
HMH72B241S	TM8V080B12MP12C	17.5	CM36B	High	825	21.80	17.00	17.00	9.75	21.60	14.40	9.30	6.60	3.20	2.36
				Intermediate	550	13.00	8.60		15.95						
				Low	550	8.60	7.60		32.25	5.90					
HMH72B241S	TM8V080B12MP12C	17.5	CM36B	High	825	21.80	17.00	17.00	9.75	21.60	14.40	9.30	6.60	3.20	2.36
				Intermediate	550	13.00	8.60		15.95						
				Low	550	8.60	7.60		32.25	5.90					
HMH72B241S	YPLC080B12MP13C	17.5	CU36B	High	825	21.80	17.00	17.00	9.75	21.60	14.40	9.30	6.60	3.20	2.36
				Intermediate	550	13.00	8.60		15.95						
				Low	550	8.60	7.60		32.25	5.90					
HMH72B241S	TPLC080B12MP13C	17.5	CF36B	High	825	21.80	17.00	17.00	9.75	21.60	14.40	9.30	6.60	3.20	2.36
				Intermediate	550	13.00	8.60		15.95						
				Low	550	8.60	7.60		32.25	5.90					
HMH72B241S	TPLC080B12MP13C	17.5	CM36B	High	825	21.80	17.00	17.00	9.75	21.60	14.40	9.30	6.60	3.20	2.36
				Intermediate	550	13.00	8.60		15.95						
				Low	550	8.60	7.60		32.25	5.90					
HMH72B241S	YPLC080B12MP13C	17.5	CM36B	High	825	21.80	17.00	17.00	9.75	21.60	14.40	9.30	6.60	3.20	2.36
				Intermediate	550	13.00	8.60		15.95						
				Low	550	8.60	7.60		32.25	5.90					
HMH72B241S	YPLC080B12MP13C	17.5	CF36B	High	825	21.80	17.00	17.00	9.75	21.60	14.40	9.30	6.60	3.20	2.36
				Intermediate	550	13.00	8.60		15.95						
				Low	550	8.60	7.60		32.25	5.90					
HMH72B241S	YPLC080B12MP13C	17.5	CM36B	High	825	21.80	17.00	17.00	9.75	21.60	14.40	9.30	6.60	3.20	2.36
				Intermediate	550	13.00	8.60		15.95						
				Low	550	8.60	7.60		32.25	5.90					



**Table 6: Furnace capacity - 2 ton**

Outdoor unit model	Furnace model	Furnace width (in.)	Indoor coil model	Stage	Rated CFM	Net cool (MBH)	Sens cool (MBH)	SEER2	EER2	Net47 (MBH)	Net17 (MBH)	HSPF2 IV	HSPF2 V	Cop47	Cop17
HMH72B241S	YPLC080B12MP13C	17.5	CM36B	High	825	21.80	17.00	17.00	9.75	21.60	14.40	9.30	6.60	3.20	2.36
				Intermediate	550	13.00	8.60		15.95						
				Low	550	8.60	7.60		32.25						
HMH72B241S	YPLC080B12MP13C	17.5	CU36B	High	825	21.80	17.00	17.00	9.75	21.60	14.40	9.30	6.60	3.20	2.36
				Intermediate	550	13.00	8.60		15.95						
				Low	550	8.60	7.60		32.25						
HMH72B241S	TM8V060A12MP12C	17.5	CF36B	High	725	21.60	16.10	17.25	10.00	21.00	14.00	9.30	6.40	3.10	2.34
				Intermediate	550	13.00	8.50		16.15						
				Low	550	8.70	7.70		33.65						
HMH72B241S	TMLV060A12MP12C	17.5	CF36B	High	725	21.60	16.10	17.25	10.00	21.00	14.00	9.30	6.40	3.10	2.34
				Intermediate	550	13.00	8.50		16.15						
				Low	550	8.70	7.70		33.65						
HMH72B241S	TPLC060A12MP13C	17.5	CF36B	High	725	21.60	16.10	17.25	10.00	21.00	14.00	9.30	6.40	3.10	2.34
				Intermediate	550	13.00	8.50		16.15						
				Low	550	8.70	7.70		33.65						
HMH72B241S	YPLC060A12MP13C	17.5	CF36B	High	725	21.60	16.10	17.25	10.00	21.00	14.00	9.30	6.40	3.10	2.34
				Intermediate	550	13.00	8.50		16.15						
				Low	550	8.70	7.70		33.65						
HMH72B241S	TM8V060A12MP12C	17.5	CF36B	High	725	21.60	16.10	17.25	10.00	21.00	14.00	9.30	6.40	3.10	2.34
				Intermediate	550	13.00	8.50		16.15						
				Low	550	8.70	7.70		33.65						
HMH72B241S	TM8V060A12MP12C	17.5	CM36B	High	725	21.60	16.10	17.25	10.00	21.00	14.00	9.30	6.40	3.10	2.34
				Intermediate	550	13.00	8.50		16.15						
				Low	550	8.70	7.70		33.65						
HMH72B241S	TM8V060A12MP12C	17.5	CM36B	High	725	21.60	16.10	17.25	10.00	21.00	14.00	9.30	6.40	3.10	2.34
				Intermediate	550	13.00	8.50		16.15						
				Low	550	8.70	7.70		33.65						
HMH72B241S	TM8V060A12MP12C	17.5	CU36B	High	725	21.60	16.10	17.25	10.00	21.00	14.00	9.30	6.40	3.10	2.34
				Intermediate	550	13.00	8.50		16.15						
				Low	550	8.70	7.70		33.65						
HMH72B241S	TMLV060A12MP12C	17.5	CF36B	High	725	21.60	16.10	17.25	10.00	21.00	14.00	9.30	6.40	3.10	2.34
				Intermediate	550	13.00	8.50		16.15						
				Low	550	8.70	7.70		33.65						
HMH72B241S	TMLV060A12MP12C	17.5	CM36B	High	725	21.60	16.10	17.25	10.00	21.00	14.00	9.30	6.40	3.10	2.34
				Intermediate	550	13.00	8.50		16.15						
				Low	550	8.70	7.70		33.65						
HMH72B241S	TMLV060A12MP12C	17.5	CM36B	High	725	21.60	16.10	17.25	10.00	21.00	14.00	9.30	6.40	3.10	2.34
				Intermediate	550	13.00	8.50		16.15						
				Low	550	8.70	7.70		33.65						
HMH72B241S	TMLV060A12MP12C	17.5	CU36B	High	725	21.60	16.10	17.25	10.00	21.00	14.00	9.30	6.40	3.10	2.34
				Intermediate	550	13.00	8.50		16.15						
				Low	550	8.70	7.70		33.65						
HMH72B241S	TPLC060A12MP13C	17.5	CF36B	High	725	21.60	16.10	17.25	10.00	21.00	14.00	9.30	6.40	3.10	2.34
				Intermediate	550	13.00	8.50		16.15						
				Low	550	8.70	7.70		33.65						
HMH72B241S	TPLC060A12MP13C	17.5	CM36B	High	725	21.60	16.10	17.25	10.00	21.00	14.00	9.30	6.40	3.10	2.34
				Intermediate	550	13.00	8.50		16.15						
				Low	550	8.70	7.70		33.65						
HMH72B241S	TPLC060A12MP13C	17.5	CM36B	High	725	21.60	16.10	17.25	10.00	21.00	14.00	9.30	6.40	3.10	2.34
				Intermediate	550	13.00	8.50		16.15						
				Low	550	8.70	7.70		33.65						
HMH72B241S	TPLC060A12MP13C	17.5	CU36B	High	725	21.60	16.10	17.25	10.00	21.00	14.00	9.30	6.40	3.10	2.34
				Intermediate	550	13.00	8.50		16.15						
				Low	550	8.70	7.70		33.65						
HMH72B241S	YPLC060A12MP13C	17.5	CF36B	High	725	21.60	16.10	17.25	10.00	21.00	14.00	9.30	6.40	3.10	2.34
				Intermediate	550	13.00	8.50		16.15						
				Low	550	8.70	7.70		33.65						
HMH72B241S	YPLC060A12MP13C	17.5	CM36B	High	725	21.60	16.10	17.25	10.00	21.00	14.00	9.30	6.40	3.10	2.34
				Intermediate	550	13.00	8.50		16.15						
				Low	550	8.70	7.70		33.65						

**Table 6: Furnace capacity - 2 ton**

Outdoor unit model	Furnace model	Furnace width (in.)	Indoor coil model	Stage	Rated CFM	Net cool (MBH)	Sens cool (MBH)	SEER2	EER2	Net47 (MBH)	Net17 (MBH)	HSPF2 IV	HSPF2 V	Cop47	Cop17
HMH72B241S	YPLC060A12MP13C	17.5	CM36B	High	725	21.60	16.10	17.25	10.00	21.00	14.00	9.30	6.40	3.10	2.34
				Intermediate	550	13.00	8.50		16.15						
				Low	550	8.70	7.70		33.65	5.80					
HMH72B241S	YPLC060A12MP13C	17.5	CU36B	High	725	21.60	16.10	17.25	10.00	21.00	14.00	9.30	6.40	3.10	2.34
				Intermediate	550	13.00	8.50		16.15						
				Low	550	8.70	7.70		33.65	5.80					
HMH72B241S	TM8V060A12MP12C	14.5	CF36A	High	725	21.60	16.10	17.00	10.00	21.20	14.10	9.30	6.50	3.08	2.32
				Intermediate	550	13.00	8.50		16.05						
				Low	550	8.70	7.70		32.90	5.90					
HMH72B241S	TMLV060A12MP12C	14.5	CF36A	High	725	21.60	16.10	17.00	10.00	21.20	14.10	9.30	6.50	3.08	2.32
				Intermediate	550	13.00	8.50		16.05						
				Low	550	8.70	7.70		32.90	5.90					
HMH72B241S	TPLC060A12MP13C	14.5	CF36A	High	725	21.60	16.10	17.00	10.00	21.20	14.10	9.30	6.50	3.08	2.32
				Intermediate	550	13.00	8.50		16.05						
				Low	550	8.70	7.70		32.90	5.90					
HMH72B241S	YPLC060A12MP13C	14.5	CF36A	High	725	21.60	16.10	17.00	10.00	21.20	14.10	9.30	6.50	3.08	2.32
				Intermediate	550	13.00	8.50		16.05						
				Low	550	8.70	7.70		32.90	5.90					
HMH72B241S	TM8V060A12MP12C	14.5	CM36A	High	725	21.60	16.10	17.00	10.00	21.20	14.10	9.30	6.50	3.08	2.32
				Intermediate	550	13.00	8.50		16.05						
				Low	550	8.70	7.70		32.90	5.90					
HMH72B241S	TMLV060A12MP12C	14.5	CM36A	High	725	21.60	16.10	17.00	10.00	21.20	14.10	9.30	6.50	3.08	2.32
				Intermediate	550	13.00	8.50		16.05						
				Low	550	8.70	7.70		32.90	5.90					
HMH72B241S	TPLC060A12MP13C	14.5	CM36A	High	725	21.60	16.10	17.00	10.00	21.20	14.10	9.30	6.50	3.08	2.32
				Intermediate	550	13.00	8.50		16.05						
				Low	550	8.70	7.70		32.90	5.90					
HMH72B241S	YPLC060A12MP13C	14.5	CM36A	High	725	21.60	16.10	17.00	10.00	21.20	14.10	9.30	6.50	3.08	2.32
				Intermediate	550	13.00	8.50		16.05						
				Low	550	8.70	7.70		32.90	5.90					
HMH72B241S	TM8E040A12MP11	14.5	CF36A	High	825	21.80	17.00	16.75	9.75	21.60	14.40	9.30	6.55	3.20	2.36
				Intermediate	700	13.30	10.20		15.80						
				Low	700	8.90	8.40		31.10	6.10					
HMH72B241S	TMLE040A12MP11	14.5	CF36A	High	825	21.80	17.00	16.75	9.75	21.60	14.40	9.30	6.55	3.20	2.36
				Intermediate	700	13.30	10.20		15.80						
				Low	700	8.90	8.40		31.10	6.10					
HMH72B241S	TM8E040A12MP11	14.5	CM36A	High	825	21.80	17.00	16.75	9.75	21.60	14.40	9.30	6.55	3.20	2.36
				Intermediate	700	13.30	10.20		15.80						
				Low	700	8.90	8.40		31.10	6.10					
HMH72B241S	TMLE040A12MP11	14.5	CM36A	High	825	21.80	17.00	16.75	9.75	21.60	14.40	9.30	6.55	3.20	2.36
				Intermediate	700	13.30	10.20		15.80						
				Low	700	8.90	8.40		31.10	6.10					
HMH72B241S	TM8Y060A12MP11	17.5	CF36B	High	800	21.80	16.80	16.75	10.00	21.60	14.30	9.30	7.55	3.18	2.36
				Intermediate	675	13.20	9.90		15.80						
				Low	675	8.80	8.20		31.05	6.10					
HMH72B241S	TM8Y060A12MP11	17.5	CF36B	High	800	21.80	16.80	16.75	10.00	21.60	14.30	9.30	7.55	3.18	2.36
				Intermediate	675	13.20	9.90		15.80						
				Low	675	8.80	8.20		31.05	6.10					
HMH72B241S	TM8Y060A12MP11	17.5	CM36B	High	800	21.80	16.80	16.75	10.00	21.60	14.30	9.30	7.55	3.18	2.36
				Intermediate	675	13.20	9.90		15.80						
				Low	675	8.80	8.20		31.05	6.10					
HMH72B241S	TM8Y060A12MP11	17.5	CM36B	High	800	21.80	16.80	16.75	10.00	21.60	14.30	9.30	7.55	3.18	2.36
				Intermediate	675	13.20	9.90		15.80						
				Low	675	8.80	8.20		31.05	6.10					
HMH72B241S	TM8Y060A12MP11	17.5	CU36B	High	800	21.80	16.80	16.75	10.00	21.60	14.30	9.30	7.55	3.18	2.36
				Intermediate	675	13.20	9.90		15.80						
				Low	675	8.80	8.20		31.05	6.10					
HMH72B241S	TM9V080B12MP12C	21.0	CF36C	High	850	22.00	17.40	17.25	10.00	21.60	14.30	9.50	7.00	3.26	2.38
				Intermediate	600	13.10	9.10		16.20						
				Low	600	8.80	7.90		33.55	5.90					

**Table 6: Furnace capacity - 2 ton**

Outdoor unit model	Furnace model	Furnace width (in.)	Indoor coil model	Stage	Rated CFM	Net cool (MBH)	Sens cool (MBH)	SEER2	EER2	Net47 (MBH)	Net17 (MBH)	HSPF2 IV	HSPF2 V	Cop47	Cop17
HMH72B241S	TP9C080B12MP13C	21.0	CF36C	High	850	22.00	17.40	17.25	10.00	21.60	14.30	9.50	7.00	3.26	2.38
				Intermediate	600	13.10	9.10		16.20						
				Low	600	8.80	7.90		33.55						
HMH72B241S	YP9C080B12MP13C	21.0	CF36C	High	850	22.00	17.40	17.25	10.00	21.60	14.30	9.50	7.00	3.26	2.38
				Intermediate	600	13.10	9.10		16.20						
				Low	600	8.80	7.90		33.55						
HMH72B241S	TM9V080B12MP12C	21.0	CM36C	High	850	22.00	17.40	17.25	10.00	21.60	14.30	9.50	7.00	3.26	2.38
				Intermediate	600	13.10	9.10		16.20						
				Low	600	8.80	7.90		33.55						
HMH72B241S	TP9C080B12MP13C	21.0	CM36C	High	850	22.00	17.40	17.25	10.00	21.60	14.30	9.50	7.00	3.26	2.38
				Intermediate	600	13.10	9.10		16.20						
				Low	600	8.80	7.90		33.55						
HMH72B241S	YP9C080B12MP13C	21.0	CM36C	High	850	22.00	17.40	17.25	10.00	21.60	14.30	9.50	7.00	3.26	2.38
				Intermediate	600	13.10	9.10		16.20						
				Low	600	8.80	7.90		33.55						
HMH72B241S	TM9V080B12MP12C	17.5	CF36B	High	850	22.00	17.40	17.00	10.00	21.80	14.40	9.50	7.15	3.26	2.38
				Intermediate	600	13.10	9.10		16.10						
				Low	600	8.70	7.80		33.00						
HMH72B241S	TP9C080B12MP13C	17.5	CF36B	High	850	22.00	17.40	17.00	10.00	21.80	14.40	9.50	7.15	3.26	2.38
				Intermediate	600	13.10	9.10		16.10						
				Low	600	8.70	7.80		33.00						
HMH72B241S	YP9C080B12MP13C	17.5	CF36B	High	850	22.00	17.40	17.00	10.00	21.80	14.40	9.50	7.15	3.26	2.38
				Intermediate	600	13.10	9.10		16.10						
				Low	600	8.70	7.80		33.00						
HMH72B241S	TM9V080B12MP12C	17.5	CF36B	High	850	22.00	17.40	17.00	10.00	21.80	14.40	9.50	7.15	3.26	2.38
				Intermediate	600	13.10	9.10		16.10						
				Low	600	8.70	7.80		33.00						
HMH72B241S	TM9V080B12MP12C	17.5	CM36B	High	850	22.00	17.40	17.00	10.00	21.80	14.40	9.50	7.15	3.26	2.38
				Intermediate	600	13.10	9.10		16.10						
				Low	600	8.70	7.80		33.00						
HMH72B241S	TM9V080B12MP12C	17.5	CM36B	High	850	22.00	17.40	17.00	10.00	21.80	14.40	9.50	7.15	3.26	2.38
				Intermediate	600	13.10	9.10		16.10						
				Low	600	8.70	7.80		33.00						
HMH72B241S	TM9V080B12MP12C	17.5	CU36B	High	850	22.00	17.40	17.00	10.00	21.80	14.40	9.50	7.15	3.26	2.38
				Intermediate	600	13.10	9.10		16.10						
				Low	600	8.70	7.80		33.00						
HMH72B241S	TP9C080B12MP13C	17.5	CF36B	High	850	22.00	17.40	17.00	10.00	21.80	14.40	9.50	7.15	3.26	2.38
				Intermediate	600	13.10	9.10		16.10						
				Low	600	8.70	7.80		33.00						
HMH72B241S	TP9C080B12MP13C	17.5	CM36B	High	850	22.00	17.40	17.00	10.00	21.80	14.40	9.50	7.15	3.26	2.38
				Intermediate	600	13.10	9.10		16.10						
				Low	600	8.70	7.80		33.00						
HMH72B241S	TP9C080B12MP13C	17.5	CM36B	High	850	22.00	17.40	17.00	10.00	21.80	14.40	9.50	7.15	3.26	2.38
				Intermediate	600	13.10	9.10		16.10						
				Low	600	8.70	7.80		33.00						
HMH72B241S	YP9C080B12MP13C	17.5	CF36B	High	850	22.00	17.40	17.00	10.00	21.80	14.40	9.50	7.15	3.26	2.38
				Intermediate	600	13.10	9.10		16.10						
				Low	600	8.70	7.80		33.00						
HMH72B241S	YP9C080B12MP13C	17.5	CM36B	High	850	22.00	17.40	17.00	10.00	21.80	14.40	9.50	7.15	3.26	2.38
				Intermediate	600	13.10	9.10		16.10						
				Low	600	8.70	7.80		33.00						
HMH72B241S	YP9C080B12MP13C	17.5	CM36B	High	850	22.00	17.40	17.00	10.00	21.80	14.40	9.50	7.15	3.26	2.38
				Intermediate	600	13.10	9.10		16.10						
				Low	600	8.70	7.80		33.00						
HMH72B241S	YP9C080B12MP13C	17.5	CU36B	High	850	22.00	17.40	17.00	10.00	21.80	14.40	9.50	7.15	3.26	2.38
				Intermediate	600	13.10	9.10		16.10						
				Low	600	8.70	7.80		33.00						

**Table 6: Furnace capacity - 2 ton**

Outdoor unit model	Furnace model	Furnace width (in.)	Indoor coil model	Stage	Rated CFM	Net cool (MBH)	Sens cool (MBH)	SEER2	EER2	Net47 (MBH)	Net17 (MBH)	HSPF2 IV	HSPF2 V	Cop47	Cop17
HMH72B241S	TM9V060B12MP12C	17.5	CF36B	High	875	22.00	17.50	17.00	9.75	22.00	14.50	8.50	6.40	3.26	2.36
				Intermediate	575	13.10	8.90		16.00						
				Low	575	8.70	7.80		32.55	5.90					
HMH72B241S	TP9C060B12MP13C	17.5	CF36B	High	875	22.00	17.50	17.00	9.75	22.00	14.50	8.50	6.40	3.26	2.36
				Intermediate	575	13.10	8.90		16.00						
				Low	575	8.70	7.80		32.55	5.90					
HMH72B241S	YP9C060B12MP13C	17.5	CF36B	High	875	22.00	17.50	17.00	9.75	22.00	14.50	8.50	6.40	3.26	2.36
				Intermediate	575	13.10	8.90		16.00						
				Low	575	8.70	7.80		32.55	5.90					
HMH72B241S	TM9V060B12MP12C	17.5	CF36B	High	875	22.00	17.50	17.00	9.75	22.00	14.50	8.50	6.40	3.26	2.36
				Intermediate	575	13.10	8.90		16.00						
				Low	575	8.70	7.80		32.55	5.90					
HMH72B241S	TM9V060B12MP12C	17.5	CM36B	High	875	22.00	17.50	17.00	9.75	22.00	14.50	8.50	6.40	3.26	2.36
				Intermediate	575	13.10	8.90		16.00						
				Low	575	8.70	7.80		32.55	5.90					
HMH72B241S	TM9V060B12MP12C	17.5	CM36B	High	875	22.00	17.50	17.00	9.75	22.00	14.50	8.50	6.40	3.26	2.36
				Intermediate	575	13.10	8.90		16.00						
				Low	575	8.70	7.80		32.55	5.90					
HMH72B241S	TM9V060B12MP12C	17.5	CU36B	High	875	22.00	17.50	17.00	9.75	22.00	14.50	8.50	6.40	3.26	2.36
				Intermediate	575	13.10	8.90		16.00						
				Low	575	8.70	7.80		32.55	5.90					
HMH72B241S	TP9C060B12MP13C	17.5	CF36B	High	875	22.00	17.50	17.00	9.75	22.00	14.50	8.50	6.40	3.26	2.36
				Intermediate	575	13.10	8.90		16.00						
				Low	575	8.70	7.80		32.55	5.90					
HMH72B241S	TP9C060B12MP13C	17.5	CM36B	High	875	22.00	17.50	17.00	9.75	22.00	14.50	8.50	6.40	3.26	2.36
				Intermediate	575	13.10	8.90		16.00						
				Low	575	8.70	7.80		32.55	5.90					
HMH72B241S	TP9C060B12MP13C	17.5	CM36B	High	875	22.00	17.50	17.00	9.75	22.00	14.50	8.50	6.40	3.26	2.36
				Intermediate	575	13.10	8.90		16.00						
				Low	575	8.70	7.80		32.55	5.90					
HMH72B241S	TP9C060B12MP13C	17.5	CU36B	High	875	22.00	17.50	17.00	9.75	22.00	14.50	8.50	6.40	3.26	2.36
				Intermediate	575	13.10	8.90		16.00						
				Low	575	8.70	7.80		32.55	5.90					
HMH72B241S	YP9C060B12MP13C	17.5	CF36B	High	875	22.00	17.50	17.00	9.75	22.00	14.50	8.50	6.40	3.26	2.36
				Intermediate	575	13.10	8.90		16.00						
				Low	575	8.70	7.80		32.55	5.90					
HMH72B241S	YP9C060B12MP13C	17.5	CM36B	High	875	22.00	17.50	17.00	9.75	22.00	14.50	8.50	6.40	3.26	2.36
				Intermediate	575	13.10	8.90		16.00						
				Low	575	8.70	7.80		32.55	5.90					
HMH72B241S	YP9C060B12MP13C	17.5	CM36B	High	875	22.00	17.50	17.00	9.75	22.00	14.50	8.50	6.40	3.26	2.36
				Intermediate	575	13.10	8.90		16.00						
				Low	575	8.70	7.80		32.55	5.90					
HMH72B241S	YP9C060B12MP13C	17.5	CU36B	High	875	22.00	17.50	17.00	9.75	22.00	14.50	8.50	6.40	3.26	2.36
				Intermediate	575	13.10	8.90		16.00						
				Low	575	8.70	7.80		32.55	5.90					
HMH72B241S	TM9V040A10MP12C	17.5	CF36B	High	875	21.80	17.30	16.25	9.25	22.20	14.70	8.50	6.15	3.18	2.32
				Intermediate	575	13.00	8.80		15.50						
				Low	575	8.60	7.70		29.95	6.00					
HMH72B241S	TM9V040A10MP12C	17.5	CF36B	High	875	21.80	17.30	16.25	9.25	22.20	14.70	8.50	6.15	3.18	2.32
				Intermediate	575	13.00	8.80		15.50						
				Low	575	8.60	7.70		29.95	6.00					
HMH72B241S	TM9V040A10MP12C	17.5	CM36B	High	875	21.80	17.30	16.25	9.25	22.20	14.70	8.50	6.15	3.18	2.32
				Intermediate	575	13.00	8.80		15.50						
				Low	575	8.60	7.70		29.95	6.00					
HMH72B241S	TM9V040A10MP12C	17.5	CM36B	High	875	21.80	17.30	16.25	9.25	22.20	14.70	8.50	6.15	3.18	2.32
				Intermediate	575	13.00	8.80		15.50						
				Low	575	8.60	7.70		29.95	6.00					
HMH72B241S	TM9V040A10MP12C	17.5	CU36B	High	875	21.80	17.30	16.25	9.25	22.20	14.70	8.50	6.15	3.18	2.32
				Intermediate	575	13.00	8.80		15.50						
				Low	575	8.60	7.70		29.95	6.00					

**Table 6: Furnace capacity - 2 ton**

Outdoor unit model	Furnace model	Furnace width (in.)	Indoor coil model	Stage	Rated CFM	Net cool (MBH)	Sens cool (MBH)	SEER2	EER2	Net47 (MBH)	Net17 (MBH)	HSPF2 IV	HSPF2 V	Cop47	Cop17
HMH72B241S	TM9V040A10MP12C	14.5	CF36A	High	875	21.60	17.10	16.00	9.25	22.20	14.90	8.50	6.35	3.16	2.30
				Intermediate	575	13.00	8.90		15.35						
				Low	575	8.60	7.80		29.15	6.00					
HMH72B241S	TM9V040A10MP12C	14.5	CM36A	High	875	21.60	17.10	16.00	9.25	22.20	14.90	8.50	6.35	3.16	2.30
				Intermediate	575	13.00	8.90		15.35						
				Low	575	8.60	7.80		29.15	6.00					
HMH72B241S	TM9E040A10MP12	17.5	CF36B	High	825	21.60	16.80	16.00	9.50	21.80	14.50	9.00	6.80	3.14	2.32
				Intermediate	650	13.10	9.70		15.20						
				Low	650	8.70	8.10		28.10	6.10					
HMH72B241S	TM9E040A10MP12	17.5	CF36B	High	825	21.60	16.80	16.00	9.50	21.80	14.50	9.00	6.80	3.14	2.32
				Intermediate	650	13.10	9.70		15.20						
				Low	650	8.70	8.10		28.10	6.10					
HMH72B241S	TM9E040A10MP12	17.5	CM36B	High	825	21.60	16.80	16.00	9.50	21.80	14.50	9.00	6.80	3.14	2.32
				Intermediate	650	13.10	9.70		15.20						
				Low	650	8.70	8.10		28.10	6.10					
HMH72B241S	TM9E040A10MP12	17.5	CM36B	High	825	21.60	16.80	16.00	9.50	21.80	14.50	9.00	6.80	3.14	2.32
				Intermediate	650	13.10	9.70		15.20						
				Low	650	8.70	8.10		28.10	6.10					
HMH72B241S	TM9E040A10MP12	17.5	CU36B	High	825	21.60	16.80	16.00	9.50	21.80	14.50	9.00	6.80	3.14	2.32
				Intermediate	650	13.10	9.70		15.20						
				Low	650	8.70	8.10		28.10	6.10					
HMH72B241S	TL9E060B12UH11	21.0	CF36C	High	875	22.00	17.50	16.75	9.75	22.00	14.50	8.50	6.40	3.26	2.38
				Intermediate	700	13.30	10.20		15.80						
				Low	700	8.90	8.40		30.85	6.10					
HMH72B241S	TL9E060B12UH11	21.0	CM36C	High	875	22.00	17.50	16.75	9.75	22.00	14.50	8.50	6.40	3.26	2.38
				Intermediate	700	13.30	10.20		15.80						
				Low	700	8.90	8.40		30.85	6.10					
HMH72B241S	TL9E060B12UH11	17.5	CF36B	High	850	21.80	17.20	16.50	9.75	21.80	14.50	9.30	5.95	3.22	2.36
				Intermediate	675	13.20	9.90		15.65						
				Low	675	8.80	8.20		30.35	6.10					
HMH72B241S	TL9E060B12UH11	17.5	CF36B	High	850	21.80	17.20	16.50	9.75	21.80	14.50	9.30	5.95	3.22	2.36
				Intermediate	675	13.20	9.90		15.65						
				Low	675	8.80	8.20		30.35	6.10					
HMH72B241S	TL9E060B12UH11	17.5	CM36B	High	850	21.80	17.20	16.50	9.75	21.80	14.50	9.30	5.95	3.22	2.36
				Intermediate	675	13.20	9.90		15.65						
				Low	675	8.80	8.20		30.35	6.10					
HMH72B241S	TL9E060B12UH11	17.5	CU36B	High	850	21.80	17.20	16.50	9.75	21.80	14.50	9.30	5.95	3.22	2.36
				Intermediate	675	13.20	9.90		15.65						
				Low	675	8.80	8.20		30.35	6.10					
HMH72B241S	TL8E060A12UH11	17.5	CF36B	High	875	22.00	17.50	16.75	10.00	21.80	14.50	9.30	6.35	3.28	2.38
				Intermediate	725	13.30	10.50		15.75						
				Low	725	8.90	8.40		30.65	6.20					
HMH72B241S	TL8E060A12UH11	17.5	CF36B	High	875	22.00	17.50	16.75	10.00	21.80	14.50	9.30	6.35	3.28	2.38
				Intermediate	725	13.30	10.50		15.75						
				Low	725	8.90	8.40		30.65	6.20					
HMH72B241S	TL8E060A12UH11	17.5	CM36B	High	875	22.00	17.50	16.75	10.00	21.80	14.50	9.30	6.35	3.28	2.38
				Intermediate	725	13.30	10.50		15.75						
				Low	725	8.90	8.40		30.65	6.20					
HMH72B241S	TL8E060A12UH11	17.5	CU36B	High	875	22.00	17.50	16.75	10.00	21.80	14.50	9.30	6.35	3.28	2.38
				Intermediate	725	13.30	10.50		15.75						
				Low	725	8.90	8.40		30.65	6.20					
HMH72B241S	TL8E060A12UH11	14.5	CF36A	High	825	21.80	17.00	16.75	9.75	21.60	14.40	9.30	5.95	3.20	2.34
				Intermediate	675	13.20	9.90		15.85						
				Low	675	8.80	8.20		31.30	6.10					

**Table 6: Furnace capacity - 2 ton**

Outdoor unit model	Furnace model	Furnace width (in.)	Indoor coil model	Stage	Rated CFM	Net cool (MBH)	Sens cool (MBH)	SEER2	EER2	Net47 (MBH)	Net17 (MBH)	HSPF2 IV	HSPF2 V	Cop47	Cop17
HMH72B241S	TL8E060A12UH11	14.5	CM36A	High	825	21.80	17.00	16.75	9.75	21.60	14.40	9.30	5.95	3.20	2.34
				Intermediate	675	13.20	9.90		15.85						
				Low	675	8.80	8.20		31.30	6.10					
HMH72B241S	TM8Y080B12MP11	21.0	CF36C	High	850	22.00	17.40	17.00	10.00	21.60	14.30	9.50	7.55	3.26	2.40
				Intermediate	725	13.30	10.40		16.10						
				Low	725	8.90	8.40		32.40	6.10					
HMH72B241S	TM8Y080B12MP11	21.0	CM36C	High	850	22.00	17.40	17.00	10.00	21.60	14.30	9.50	7.55	3.26	2.40
				Intermediate	725	13.30	10.40		16.10						
				Low	725	8.90	8.40		32.40	6.10					
HMH72B241S	TM8Y080B12MP11	17.5	CF36B	High	825	22.00	17.20	17.00	10.00	21.60	14.30	9.30	7.40	3.22	2.38
				Intermediate	700	13.30	10.20		15.90						
				Low	700	8.90	8.30		31.60	6.10					
HMH72B241S	TM8Y080B12MP11	17.5	CF36B	High	825	22.00	17.20	17.00	10.00	21.60	14.30	9.30	7.40	3.22	2.38
				Intermediate	700	13.30	10.20		15.90						
				Low	700	8.90	8.30		31.60	6.10					
HMH72B241S	TM8Y080B12MP11	17.5	CM36B	High	825	22.00	17.20	17.00	10.00	21.60	14.30	9.30	7.40	3.22	2.38
				Intermediate	700	13.30	10.20		15.90						
				Low	700	8.90	8.30		31.60	6.10					
HMH72B241S	TM8Y080B12MP11	17.5	CM36B	High	825	22.00	17.20	17.00	10.00	21.60	14.30	9.30	7.40	3.22	2.38
				Intermediate	700	13.30	10.20		15.90						
				Low	700	8.90	8.30		31.60	6.10					
HMH72B241S	TM8Y080B12MP11	17.5	CU36B	High	825	22.00	17.20	17.00	10.00	21.60	14.30	9.30	7.40	3.22	2.38
				Intermediate	700	13.30	10.20		15.90						
				Low	700	8.90	8.30		31.60	6.10					
HMH72B241S	TM8Y060A12MP11	14.5	CF36A	High	775	21.80	16.60	16.50	9.75	21.40	14.20	9.00	7.15	3.14	2.32
				Intermediate	650	13.10	9.60		15.60						
				Low	650	8.80	8.10		30.20	6.10					
HMH72B241S	TM8Y060A12MP11	14.5	CM36A	High	775	21.80	16.60	16.50	9.75	21.40	14.20	9.00	7.15	3.14	2.32
				Intermediate	650	13.10	9.60		15.60						
				Low	650	8.80	8.10		30.20	6.10					
HMH72B241S	TM9Y060B12MP11	21.0	CF36C	High	875	22.00	17.50	16.50	9.75	22.00	14.50	9.00	7.20	3.26	2.38
				Intermediate	725	13.30	10.50		15.60						
				Low	725	8.90	8.50		29.95	6.20					
HMH72B241S	TM9Y060B12MP11	21.0	CM36C	High	875	22.00	17.50	16.50	9.75	22.00	14.50	9.00	7.20	3.26	2.38
				Intermediate	725	13.30	10.50		15.60						
				Low	725	8.90	8.50		29.95	6.20					
HMH72B241S	TM9Y060B12MP11	17.5	CF36B	High	875	22.00	17.50	16.25	9.75	22.00	14.50	8.50	6.80	3.26	2.36
				Intermediate	700	13.20	10.20		15.50						
				Low	700	8.80	8.30		29.35	6.20					
HMH72B241S	TM9Y060B12MP11	17.5	CF36B	High	875	22.00	17.50	16.25	9.75	22.00	14.50	8.50	6.80	3.26	2.36
				Intermediate	700	13.20	10.20		15.50						
				Low	700	8.80	8.30		29.35	6.20					
HMH72B241S	TM9Y060B12MP11	17.5	CM36B	High	875	22.00	17.50	16.25	9.75	22.00	14.50	8.50	6.80	3.26	2.36
				Intermediate	700	13.20	10.20		15.50						
				Low	700	8.80	8.30		29.35	6.20					
HMH72B241S	TM9Y060B12MP11	17.5	CU36B	High	875	22.00	17.50	16.25	9.75	22.00	14.50	8.50	6.80	3.26	2.36
				Intermediate	700	13.20	10.20		15.50						
				Low	700	8.80	8.30		29.35	6.20					
HMH72B241S	TM9E026A08MP12	17.5	XAHB36D	High	850	21.40	16.10	16.00	9.25	21.20	14.50	8.50	6.35	3.02	2.30
				Intermediate	525	12.70	8.00		15.35						
				Low	525	8.20	6.80		28.75	5.50					
HMH72B241S	TM9E026A08MP12	17.5	XAHB36D	High	850	21.40	16.10	16.00	9.25	21.20	14.50	8.50	6.35	3.02	2.30
				Intermediate	525	12.70	8.00		15.35						
				Low	525	8.20	6.80		28.75	5.50					
HMH72B241S	TM9E060B12MP12	17.5	XAHB36D	High	900	21.80	16.70	15.00	9.50	21.60	14.50	8.50	6.90	3.12	2.36
				Intermediate	725	13.00	10.00		14.90						
				Low	725	8.40	7.70		24.95	5.80					

**Table 6: Furnace capacity - 2 ton**

Outdoor unit model	Furnace model	Furnace width (in.)	Indoor coil model	Stage	Rated CFM	Net cool (MBH)	Sens cool (MBH)	SEER2	EER2	Net47 (MBH)	Net17 (MBH)	HSPF2 IV	HSPF2 V	Cop47	Cop17
HMH72B241S	TM9E060B12MP12	17.5	XAHB36D	High	900	21.80	16.70	15.00	9.50	21.60	14.50	8.50	6.90	3.12	2.36
				Intermediate	725	13.00	10.00		14.90						
				Low	725	8.40	7.70		24.95						
HMH72B241S	TM9E060B12MP12	21.0	XAHC36D	High	925	22.00	17.10	15.50	9.50	21.60	14.60	8.50	6.75	3.16	2.38
				Intermediate	750	13.10	10.20		15.10						
				Low	750	8.50	7.80		25.45						
HMH72B241S	TM9E060B12MP12	21.0	XAHC36D	High	925	22.00	17.10	15.50	9.50	21.60	14.60	8.50	6.75	3.16	2.38
				Intermediate	750	13.10	10.20		15.10						
				Low	750	8.50	7.80		25.45						
HMH72B241S	TM9Y060B12MP11	17.5	XAFB36D	High	850	22.00	16.60	16.25	10.00	21.40	14.50	9.00	6.85	3.16	2.40
				Intermediate	675	13.30	9.80		15.65						
				Low	675	8.90	8.30		29.30						
HMH72B241S	TM9Y060B12MP11	17.5	XAFB36D	High	850	22.00	16.60	16.25	10.00	21.40	14.50	9.00	6.85	3.16	2.40
				Intermediate	675	13.30	9.80		15.65						
				Low	675	8.90	8.30		29.30						
HMH72B241S	TM9Y060B12MP11	17.5	XAUB36D	High	850	22.00	16.60	16.25	10.00	21.40	14.50	9.00	6.85	3.16	2.40
				Intermediate	675	13.30	9.80		15.65						
				Low	675	8.90	8.30		29.30						
HMH72B241S	TM9V080B12MP12C	21.0	XAFC36D	High	850	22.20	16.80	17.00	10.00	21.20	14.40	9.00	6.90	3.22	2.44
				Intermediate	600	13.20	9.00		16.15						
				Low	600	8.90	8.00		32.70						
HMH72B241S	TP9C080B12MP13C	21.0	XAFC36D	High	850	22.20	16.80	17.00	10.00	21.20	14.40	9.00	6.90	3.22	2.44
				Intermediate	600	13.20	9.00		16.15						
				Low	600	8.90	8.00		32.70						
HMH72B241S	YP9C080B12MP13C	21.0	XAFC36D	High	850	22.20	16.80	17.00	10.00	21.20	14.40	9.00	6.90	3.22	2.44
				Intermediate	600	13.20	9.00		16.15						
				Low	600	8.90	8.00		32.70						
HMH72B241S	TM9V080B12MP12C	21.0	XAFC36D	High	850	22.20	16.80	17.00	10.00	21.20	14.40	9.00	6.90	3.22	2.44
				Intermediate	600	13.20	9.00		16.15						
				Low	600	8.90	8.00		32.70						
HMH72B241S	TP9C080B12MP13C	21.0	XAFC36D	High	850	22.20	16.80	17.00	10.00	21.20	14.40	9.00	6.90	3.22	2.44
				Intermediate	600	13.20	9.00		16.15						
				Low	600	8.90	8.00		32.70						
HMH72B241S	YP9C080B12MP13C	21.0	XAFC36D	High	850	22.20	16.80	17.00	10.00	21.20	14.40	9.00	6.90	3.22	2.44
				Intermediate	600	13.20	9.00		16.15						
				Low	600	8.90	8.00		32.70						
HMH72B241S	TM9V040A10MP12C	17.5	XAHB36D	High	875	21.40	16.20	15.50	9.25	21.40	14.60	8.50	6.40	3.06	2.32
				Intermediate	575	12.70	8.50		15.05						
				Low	575	8.30	7.10		26.80						
HMH72B241S	TM9V040A10MP12C	17.5	XAHB36D	High	875	21.40	16.20	15.50	9.25	21.40	14.60	8.50	6.40	3.06	2.32
				Intermediate	575	12.70	8.50		15.05						
				Low	575	8.30	7.10		26.80						
HMH72B241S	TM9E040A10MP12	17.5	XAHB36D	High	850	21.40	16.10	15.25	9.25	21.20	14.40	8.50	6.50	3.04	2.32
				Intermediate	625	12.80	9.00		14.95						
				Low	625	8.30	7.30		25.85						
HMH72B241S	TM9E040A10MP12	17.5	XAHB36D	High	850	21.40	16.10	15.25	9.25	21.20	14.40	8.50	6.50	3.04	2.32
				Intermediate	625	12.80	9.00		14.95						
				Low	625	8.30	7.30		25.85						
HMH72B241S	TM8Y080B12MP11	17.5	XAHB36D	High	800	21.60	16.10	16.00	9.75	21.00	14.00	8.50	6.55	3.08	2.34
				Intermediate	650	13.00	9.30		15.50						
				Low	650	8.40	7.40		28.15						
HMH72B241S	TM8Y080B12MP11	17.5	XAHB36D	High	800	21.60	16.10	16.00	9.75	21.00	14.00	8.50	6.55	3.08	2.34
				Intermediate	650	13.00	9.30		15.50						
				Low	650	8.40	7.40		28.15						
HMH72B241S	TM8V080B12MP12C	17.5	XAHB36D	High	825	21.40	16.00	16.00	9.50	21.00	14.20	8.50	6.70	3.08	2.34
				Intermediate	550	12.70	8.20		15.45						
				Low	550	8.30	7.00		29.00						
HMH72B241S	TPLC080B12MP13C	17.5	XAHB36D	High	825	21.40	16.00	16.00	9.50	21.00	14.20	8.50	6.70	3.08	2.34
				Intermediate	550	12.70	8.20		15.45						
				Low	550	8.30	7.00		29.00						

**Table 6: Furnace capacity - 2 ton**

Outdoor unit model	Furnace model	Furnace width (in.)	Indoor coil model	Stage	Rated CFM	Net cool (MBH)	Sens cool (MBH)	SEER2	EER2	Net47 (MBH)	Net17 (MBH)	HSPF2 IV	HSPF2 V	Cop47	Cop17
HMH72B241S	YPLC080B12MP13C	17.5	XAHB36D	High	825	21.40	16.00	16.00	9.50	21.00	14.20	8.50	6.70	3.08	2.34
				Intermediate	550	12.70	8.20		15.45						
				Low	550	8.30	7.00		29.00	5.50					
HMH72B241S	TM8V080B12MP12C	17.5	XAHB36D	High	825	21.40	16.00	16.00	9.50	21.00	14.20	8.50	6.70	3.08	2.34
				Intermediate	550	12.70	8.20		15.45						
				Low	550	8.30	7.00		29.00	5.50					
HMH72B241S	TPLC080B12MP13C	17.5	XAHB36D	High	825	21.40	16.00	16.00	9.50	21.00	14.20	8.50	6.70	3.08	2.34
				Intermediate	550	12.70	8.20		15.45						
				Low	550	8.30	7.00		29.00	5.50					
HMH72B241S	YPLC080B12MP13C	17.5	XAHB36D	High	825	21.40	16.00	16.00	9.50	21.00	14.20	8.50	6.70	3.08	2.34
				Intermediate	550	12.70	8.20		15.45						
				Low	550	8.30	7.00		29.00	5.50					
HMH72B241S	TL8E060A12UH11	17.5	XAHB36D	High	825	21.60	16.20	16.25	9.75	21.00	14.10	8.50	6.70	3.10	2.36
				Intermediate	650	13.00	9.30		15.70						
				Low	650	8.40	7.30		29.00	5.60					
HMH72B241S	TL8E060A12UH11	17.5	XAHB36D	High	825	21.60	16.20	16.25	9.75	21.00	14.10	8.50	6.70	3.10	2.36
				Intermediate	650	13.00	9.30		15.70						
				Low	650	8.40	7.30		29.00	5.60					
HMH72B241S	TM9Y080B12MP11	17.5	XAFB36D	High	875	22.20	16.90	16.75	10.00	21.40	14.60	9.30	6.30	3.22	2.42
				Intermediate	725	13.40	10.30		15.90						
				Low	725	9.00	8.50		30.30	6.00					
HMH72B241S	TM9Y080B12MP11	17.5	XAFB36D	High	875	22.20	16.90	16.75	10.00	21.40	14.60	9.30	6.30	3.22	2.42
				Intermediate	725	13.40	10.30		15.90						
				Low	725	9.00	8.50		30.30	6.00					
HMH72B241S	TM9Y080B12MP11	17.5	XAUB36D	High	875	22.20	16.90	16.75	10.00	21.40	14.60	9.30	6.30	3.22	2.42
				Intermediate	725	13.40	10.30		15.90						
				Low	725	9.00	8.50		30.30	6.00					
HMH72B241S	TM8Y080B12MP11	17.5	XAFB36D	High	825	22.20	16.70	17.00	10.00	21.00	14.30	9.30	6.70	3.18	2.42
				Intermediate	675	13.30	9.70		16.05						
				Low	675	9.00	8.30		31.35	5.90					
HMH72B241S	TM8Y080B12MP11	17.5	XAFB36D	High	825	22.20	16.70	17.00	10.00	21.00	14.30	9.30	6.70	3.18	2.42
				Intermediate	675	13.30	9.70		16.05						
				Low	675	9.00	8.30		31.35	5.90					
HMH72B241S	TM8Y080B12MP11	17.5	XAUB36D	High	825	22.20	16.70	17.00	10.00	21.00	14.30	9.30	6.70	3.18	2.42
				Intermediate	675	13.30	9.70		16.05						
				Low	675	9.00	8.30		31.35	5.90					
HMH72B241S	TL8E060A12UH11	17.5	XAFB36D	High	850	22.20	16.80	17.00	10.00	21.20	14.40	9.30	6.10	3.20	2.42
				Intermediate	675	13.30	9.70		16.15						
				Low	675	9.00	8.30		31.85	5.90					
HMH72B241S	TL8E060A12UH11	17.5	XAFB36D	High	850	22.20	16.80	17.00	10.00	21.20	14.40	9.30	6.10	3.20	2.42
				Intermediate	675	13.30	9.70		16.15						
				Low	675	9.00	8.30		31.85	5.90					
HMH72B241S	TL8E060A12UH11	17.5	XAUB36D	High	850	22.20	16.80	17.00	10.00	21.20	14.40	9.30	6.10	3.20	2.42
				Intermediate	675	13.30	9.70		16.15						
				Low	675	9.00	8.30		31.85	5.90					
HMH72B241S	TM9E060B12MP12	17.5	XAFB36D	High	925	22.40	17.40	16.00	9.50	22.00	14.80	9.00	7.55	3.24	2.44
				Intermediate	750	13.40	10.50		15.40						
				Low	750	9.00	8.70		27.75	6.10					
HMH72B241S	TM9E060B12MP12	17.5	XAFB36D	High	925	22.40	17.40	16.00	9.50	22.00	14.80	9.00	7.55	3.24	2.44
				Intermediate	750	13.40	10.50		15.40						
				Low	750	9.00	8.70		27.75	6.10					
HMH72B241S	TM9E060B12MP12	17.5	XAUB36D	High	925	22.40	17.40	16.00	9.50	22.00	14.80	9.00	7.55	3.24	2.44
				Intermediate	750	13.40	10.50		15.40						
				Low	750	9.00	8.70		27.75	6.10					
HMH72B241S	TM8E060A12MP11	17.5	XAFB36D	High	875	22.40	17.10	16.50	10.00	21.60	14.50	9.30	7.80	3.24	2.44
				Intermediate	775	13.50	10.80		15.90						
				Low	775	9.10	8.80		29.80	6.00					
HMH72B241S	TMLE060A12MP11	17.5	XAFB36D	High	875	22.40	17.10	16.50	10.00	21.60	14.50	9.30	7.80	3.24	2.44
				Intermediate	775	13.50	10.80		15.90						
				Low	775	9.10	8.80		29.80	6.00					



**Table 6: Furnace capacity - 2 ton**

Outdoor unit model	Furnace model	Furnace width (in.)	Indoor coil model	Stage	Rated CFM	Net cool (MBH)	Sens cool (MBH)	SEER2	EER2	Net47 (MBH)	Net17 (MBH)	HSPF2 IV	HSPF2 V	Cop47	Cop17
HMH72B241S	TM8E060A12MP11	17.5	XAFB36D	High	875	22.40	17.10	16.50	10.00	21.60	14.50	9.30	7.80	3.24	2.44
				Intermediate	775	13.50	10.80		15.90						
				Low	775	9.10	8.80		29.80						
HMH72B241S	TM8E060A12MP11	17.5	XAUB36D	High	875	22.40	17.10	16.50	10.00	21.60	14.50	9.30	7.80	3.24	2.44
				Intermediate	775	13.50	10.80		15.90						
				Low	775	9.10	8.80		29.80						
HMH72B241S	TMLE060A12MP11	17.5	XAFB36D	High	875	22.40	17.10	16.50	10.00	21.60	14.50	9.30	7.80	3.24	2.44
				Intermediate	775	13.50	10.80		15.90						
				Low	775	9.10	8.80		29.80						
HMH72B241S	TMLE060A12MP11	17.5	XAUB36D	High	875	22.40	17.10	16.50	10.00	21.60	14.50	9.30	7.80	3.24	2.44
				Intermediate	775	13.50	10.80		15.90						
				Low	775	9.10	8.80		29.80						
HMH72B241S	TM9Y080B12MP11	17.5	XAHB36D	High	850	21.60	16.30	16.00	9.75	21.00	14.20	8.50	6.80	3.10	2.36
				Intermediate	700	13.00	9.70		15.40						
				Low	700	8.50	7.60		27.20						
HMH72B241S	TM9Y080B12MP11	17.5	XAHB36D	High	850	21.60	16.30	16.00	9.75	21.00	14.20	8.50	6.80	3.10	2.36
				Intermediate	700	13.00	9.70		15.40						
				Low	700	8.50	7.60		27.20						
HMH72B241S	TM9Y040A10MP11	17.5	XAHB36D	High	775	21.00	15.40	15.50	9.25	21.00	14.30	8.50	6.60	2.94	2.26
				Intermediate	525	12.60	8.00		15.05						
				Low	525	8.20	6.90		27.35						
HMH72B241S	TM9Y040A10MP11	17.5	XAHB36D	High	775	21.00	15.40	15.50	9.25	21.00	14.30	8.50	6.60	2.94	2.26
				Intermediate	525	12.60	8.00		15.05						
				Low	525	8.20	6.90		27.35						
HMH72B241S	TM9V080B12MP12C	17.5	XAFB36D	High	850	22.20	16.80	17.00	10.00	21.20	14.40	9.00	7.05	3.20	2.44
				Intermediate	600	13.20	9.00		16.10						
				Low	600	8.90	8.00		32.45						
HMH72B241S	TP9C080B12MP13C	17.5	XAFB36D	High	850	22.20	16.80	17.00	10.00	21.20	14.40	9.00	7.05	3.20	2.44
				Intermediate	600	13.20	9.00		16.10						
				Low	600	8.90	8.00		32.45						
HMH72B241S	YP9C080B12MP13C	17.5	XAFB36D	High	850	22.20	16.80	17.00	10.00	21.20	14.40	9.00	7.05	3.20	2.44
				Intermediate	600	13.20	9.00		16.10						
				Low	600	8.90	8.00		32.45						
HMH72B241S	TM9V080B12MP12C	17.5	XAFB36D	High	850	22.20	16.80	17.00	10.00	21.20	14.40	9.00	7.05	3.20	2.44
				Intermediate	600	13.20	9.00		16.10						
				Low	600	8.90	8.00		32.45						
HMH72B241S	TM9V080B12MP12C	17.5	XAUB36D	High	850	22.20	16.80	17.00	10.00	21.20	14.40	9.00	7.05	3.20	2.44
				Intermediate	600	13.20	9.00		16.10						
				Low	600	8.90	8.00		32.45						
HMH72B241S	TP9C080B12MP13C	17.5	XAFB36D	High	850	22.20	16.80	17.00	10.00	21.20	14.40	9.00	7.05	3.20	2.44
				Intermediate	600	13.20	9.00		16.10						
				Low	600	8.90	8.00		32.45						
HMH72B241S	TP9C080B12MP13C	17.5	XAUB36D	High	850	22.20	16.80	17.00	10.00	21.20	14.40	9.00	7.05	3.20	2.44
				Intermediate	600	13.20	9.00		16.10						
				Low	600	8.90	8.00		32.45						
HMH72B241S	YP9C080B12MP13C	17.5	XAFB36D	High	850	22.20	16.80	17.00	10.00	21.20	14.40	9.00	7.05	3.20	2.44
				Intermediate	600	13.20	9.00		16.10						
				Low	600	8.90	8.00		32.45						
HMH72B241S	YP9C080B12MP13C	17.5	XAUB36D	High	850	22.20	16.80	17.00	10.00	21.20	14.40	9.00	7.05	3.20	2.44
				Intermediate	600	13.20	9.00		16.10						
				Low	600	8.90	8.00		32.45						
HMH72B241S	TM9V040A10MP12C	17.5	XAFB36D	High	875	22.00	16.70	16.25	9.50	21.60	14.80	9.00	6.95	3.14	2.38
				Intermediate	575	13.00	8.70		15.55						
				Low	575	8.70	7.80		29.70						
HMH72B241S	TM9V040A10MP12C	17.5	XAFB36D	High	875	22.00	16.70	16.25	9.50	21.60	14.80	9.00	6.95	3.14	2.38
				Intermediate	575	13.00	8.70		15.55						
				Low	575	8.70	7.80		29.70						
HMH72B241S	TM9V040A10MP12C	17.5	XAUB36D	High	875	22.00	16.70	16.25	9.50	21.60	14.80	9.00	6.95	3.14	2.38
				Intermediate	575	13.00	8.70		15.55						
				Low	575	8.70	7.80		29.70						

**Table 6: Furnace capacity - 2 ton**

Outdoor unit model	Furnace model	Furnace width (in.)	Indoor coil model	Stage	Rated CFM	Net cool (MBH)	Sens cool (MBH)	SEER2	EER2	Net47 (MBH)	Net17 (MBH)	HSPF2 IV	HSPF2 V	Cop47	Cop17
HMH72B241S	TM9E040A10MP12	17.5	XAFB36D	High	850	21.80	16.40	16.00	9.50	21.60	14.70	8.50	6.55	3.10	2.36
				Intermediate	650	13.20	9.50		15.40						
				Low	650	8.80	8.20		28.40						
HMH72B241S	TM9E040A10MP12	17.5	XAFB36D	High	850	21.80	16.40	16.00	9.50	21.60	14.70	8.50	6.55	3.10	2.36
				Intermediate	650	13.20	9.50		15.40						
				Low	650	8.80	8.20		28.40						
HMH72B241S	TM9E040A10MP12	17.5	XAUB36D	High	850	21.80	16.40	16.00	9.50	21.60	14.70	8.50	6.55	3.10	2.36
				Intermediate	650	13.20	9.50		15.40						
				Low	650	8.80	8.20		28.40						
HMH72B241S	TM8Y080B12MP11	21.0	XAFC36D	High	825	22.20	16.70	17.00	10.00	21.00	14.30	9.00	7.15	3.18	2.42
				Intermediate	675	13.30	9.70		16.05						
				Low	675	9.00	8.30		31.50						
HMH72B241S	TM8Y080B12MP11	21.0	XAFC36D	High	825	22.20	16.70	17.00	10.00	21.00	14.30	9.00	7.15	3.18	2.42
				Intermediate	675	13.30	9.70		16.05						
				Low	675	9.00	8.30		31.50						
HMH72B241S	TM8V080B12MP12C	21.0	XAFC36D	High	825	22.00	16.50	17.00	10.00	21.20	14.40	9.00	6.55	3.16	2.40
				Intermediate	550	13.00	8.40		15.95						
				Low	550	8.70	7.60		32.15						
HMH72B241S	TPLC080B12MP13C	21.0	XAFC36D	High	825	22.00	16.50	17.00	10.00	21.20	14.40	9.00	6.55	3.16	2.40
				Intermediate	550	13.00	8.40		15.95						
				Low	550	8.70	7.60		32.15						
HMH72B241S	YPLC080B12MP13C	21.0	XAFC36D	High	825	22.00	16.50	17.00	10.00	21.20	14.40	9.00	6.55	3.16	2.40
				Intermediate	550	13.00	8.40		15.95						
				Low	550	8.70	7.60		32.15						
HMH72B241S	TM8V080B12MP12C	21.0	XAFC36D	High	825	22.00	16.50	17.00	10.00	21.20	14.40	9.00	6.55	3.16	2.40
				Intermediate	550	13.00	8.40		15.95						
				Low	550	8.70	7.60		32.15						
HMH72B241S	TPLC080B12MP13C	21.0	XAFC36D	High	825	22.00	16.50	17.00	10.00	21.20	14.40	9.00	6.55	3.16	2.40
				Intermediate	550	13.00	8.40		15.95						
				Low	550	8.70	7.60		32.15						
HMH72B241S	YPLC080B12MP13C	21.0	XAFC36D	High	825	22.00	16.50	17.00	10.00	21.20	14.40	9.00	6.55	3.16	2.40
				Intermediate	550	13.00	8.40		15.95						
				Low	550	8.70	7.60		32.15						
HMH72B241S	TM8E100B12MP11	21.0	XAHC36D	High	825	21.60	16.20	16.25	10.00	21.00	14.00	9.00	6.95	3.12	2.38
				Intermediate	700	13.10	9.80		15.60						
				Low	700	8.50	7.60		28.00						
HMH72B241S	TMLE100B12MP11	21.0	XAHC36D	High	825	21.60	16.20	16.25	10.00	21.00	14.00	9.00	6.95	3.12	2.38
				Intermediate	700	13.10	9.80		15.60						
				Low	700	8.50	7.60		28.00						
HMH72B241S	TMLE100B12MP11	21.0	XAHC36D	High	825	21.60	16.20	16.25	10.00	21.00	14.00	9.00	6.95	3.12	2.38
				Intermediate	700	13.10	9.80		15.60						
				Low	700	8.50	7.60		28.00						
HMH72B241S	TL9E060B12UH11	21.0	XAHC36D	High	850	21.60	16.30	16.00	9.75	21.00	14.20	8.50	6.65	3.10	2.36
				Intermediate	650	12.90	9.20		15.45						
				Low	650	8.40	7.40		27.85						
HMH72B241S	TL9E060B12UH11	21.0	XAHC36D	High	850	21.60	16.30	16.00	9.75	21.00	14.20	8.50	6.65	3.10	2.36
				Intermediate	650	12.90	9.20		15.45						
				Low	650	8.40	7.40		27.85						
HMH72B241S	TM8Y060A12MP11	17.5	XAFB36D	High	775	21.80	16.10	16.75	10.00	21.00	14.20	9.30	6.25	3.10	2.38
				Intermediate	650	13.20	9.40		15.90						
				Low	650	8.90	8.20		30.80						
HMH72B241S	TM8Y060A12MP11	17.5	XAFB36D	High	775	21.80	16.10	16.75	10.00	21.00	14.20	9.30	6.25	3.10	2.38
				Intermediate	650	13.20	9.40		15.90						
				Low	650	8.90	8.20		30.80						
HMH72B241S	TM8Y060A12MP11	17.5	XAUB36D	High	775	21.80	16.10	16.75	10.00	21.00	14.20	9.30	6.25	3.10	2.38
				Intermediate	650	13.20	9.40		15.90						
				Low	650	8.90	8.20		30.80						

**Table 6: Furnace capacity - 2 ton**

Outdoor unit model	Furnace model	Furnace width (in.)	Indoor coil model	Stage	Rated CFM	Net cool (MBH)	Sens cool (MBH)	SEER2	EER2	Net47 (MBH)	Net17 (MBH)	HSPF2 IV	HSPF2 V	Cop47	Cop17
HMH72B241S	TM9E080B12MP12	21.0	XAHC36D	High	925	22.00	17.10	15.50	9.50	21.40	14.40	8.50	6.65	3.20	2.42
				Intermediate	800	13.20	10.70		15.25						
				Low	800	8.60	8.00		25.75						
HMH72B241S	TM9E080B12MP12	21.0	XAHC36D	High	925	22.00	17.10	15.50	9.50	21.40	14.40	8.50	6.65	3.20	2.42
				Intermediate	800	13.20	10.70		15.25						
				Low	800	8.60	8.00		25.75						
HMH72B241S	TM8E080B12MP11	21.0	XAHC36D	High	875	22.00	16.80	16.00	9.50	21.20	14.20	8.50	6.85	3.16	2.38
				Intermediate	750	13.20	10.30		15.60						
				Low	750	8.50	7.70		27.55						
HMH72B241S	TMLE080B12MP11	21.0	XAHC36D	High	875	22.00	16.80	16.00	9.50	21.20	14.20	8.50	6.85	3.16	2.38
				Intermediate	750	13.20	10.30		15.60						
				Low	750	8.50	7.70		27.55						
HMH72B241S	TM8E080B12MP11	21.0	XAHC36D	High	875	22.00	16.80	16.00	9.50	21.20	14.20	8.50	6.85	3.16	2.38
				Intermediate	750	13.20	10.30		15.60						
				Low	750	8.50	7.70		27.55						
HMH72B241S	TMLE080B12MP11	21.0	XAHC36D	High	875	22.00	16.80	16.00	9.50	21.20	14.20	8.50	6.85	3.16	2.38
				Intermediate	750	13.20	10.30		15.60						
				Low	750	8.50	7.70		27.55						
HMH72B241S	TM8E060A12MP11	14.5	XAFA30D	High	825	22.20	16.60	16.00	10.00	21.40	14.40	9.00	7.50	3.16	2.40
				Intermediate	725	13.40	10.30		15.55						
				Low	725	9.00	8.60		28.70						
HMH72B241S	TMLE060A12MP11	14.5	XAFA30D	High	825	22.20	16.60	16.00	10.00	21.40	14.40	9.00	7.50	3.16	2.40
				Intermediate	725	13.40	10.30		15.55						
				Low	725	9.00	8.60		28.70						
HMH72B241S	TM8E060A12MP11	14.5	XAFA30D	High	825	22.20	16.60	16.00	10.00	21.40	14.40	9.00	7.50	3.16	2.40
				Intermediate	725	13.40	10.30		15.55						
				Low	725	9.00	8.60		28.70						
HMH72B241S	TMLE060A12MP11	14.5	XAFA30D	High	825	22.20	16.60	16.00	10.00	21.40	14.40	9.00	7.50	3.16	2.40
				Intermediate	725	13.40	10.30		15.55						
				Low	725	9.00	8.60		28.70						
HMH72B241S	TM9Y040A10MP11	17.5	XAFB36D	High	800	21.60	16.00	16.25	9.50	21.40	14.60	8.50	6.55	3.04	2.32
				Intermediate	550	13.00	8.50		15.55						
				Low	550	8.70	7.70		29.95						
HMH72B241S	TM9Y040A10MP11	17.5	XAFB36D	High	800	21.60	16.00	16.25	9.50	21.40	14.60	8.50	6.55	3.04	2.32
				Intermediate	550	13.00	8.50		15.55						
				Low	550	8.70	7.70		29.95						
HMH72B241S	TM9Y040A10MP11	17.5	XAUB36D	High	800	21.60	16.00	16.25	9.50	21.40	14.60	8.50	6.55	3.04	2.32
				Intermediate	550	13.00	8.50		15.55						
				Low	550	8.70	7.70		29.95						
HMH72B241S	TM9V060B12MP12C	21.0	XAHC36D	High	875	21.60	16.40	16.25	9.50	21.00	14.30	9.00	6.95	3.14	2.38
				Intermediate	575	12.80	8.50		15.65						
				Low	575	8.30	7.00		29.60						
HMH72B241S	TP9C060B12MP13C	21.0	XAHC36D	High	875	21.60	16.40	16.25	9.50	21.00	14.30	9.00	6.95	3.14	2.38
				Intermediate	575	12.80	8.50		15.65						
				Low	575	8.30	7.00		29.60						
HMH72B241S	YP9C060B12MP13C	21.0	XAHC36D	High	875	21.60	16.40	16.25	9.50	21.00	14.30	9.00	6.95	3.14	2.38
				Intermediate	575	12.80	8.50		15.65						
				Low	575	8.30	7.00		29.60						
HMH72B241S	TM9V060B12MP12C	21.0	XAHC36D	High	875	21.60	16.40	16.25	9.50	21.00	14.30	9.00	6.95	3.14	2.38
				Intermediate	575	12.80	8.50		15.65						
				Low	575	8.30	7.00		29.60						
HMH72B241S	TP9C060B12MP13C	21.0	XAHC36D	High	875	21.60	16.40	16.25	9.50	21.00	14.30	9.00	6.95	3.14	2.38
				Intermediate	575	12.80	8.50		15.65						
				Low	575	8.30	7.00		29.60						
HMH72B241S	YP9C060B12MP13C	21.0	XAHC36D	High	875	21.60	16.40	16.25	9.50	21.00	14.30	9.00	6.95	3.14	2.38
				Intermediate	575	12.80	8.50		15.65						
				Low	575	8.30	7.00		29.60						
HMH72B241S	TM9V040A10MP12C	14.5	XAFA30D	High	875	21.80	16.50	16.00	9.25	21.80	14.90	8.50	6.55	3.12	2.36
				Intermediate	575	13.00	8.70		15.30						
				Low	575	8.70	7.80		28.60						

**Table 6: Furnace capacity - 2 ton**

Outdoor unit model	Furnace model	Furnace width (in.)	Indoor coil model	Stage	Rated CFM	Net cool (MBH)	Sens cool (MBH)	SEER2	EER2	Net47 (MBH)	Net17 (MBH)	HSPF2 IV	HSPF2 V	Cop47	Cop17
HMH72B241S	TM9V040A10MP12C	14.5	XAFA30D	High	875	21.80	16.50	16.00	9.25	21.80	14.90	8.50	6.55	3.12	2.36
				Intermediate	575	13.00	8.70		15.30						
				Low	575	8.70	7.80		28.60						
HMH72B241S	TM9E040A10MP12	14.5	XAFA30D	High	825	21.80	16.30	16.00	9.50	21.40	14.70	8.50	6.65	3.06	2.34
				Intermediate	625	13.10	9.20		15.20						
				Low	625	8.80	8.10		27.80						
HMH72B241S	TM9E040A10MP12	14.5	XAFA30D	High	825	21.80	16.30	16.00	9.50	21.40	14.70	8.50	6.65	3.06	2.34
				Intermediate	625	13.10	9.20		15.20						
				Low	625	8.80	8.10		27.80						
HMH72B241S	TM8V080B12MP12C	17.5	XAFB36D	High	825	22.00	16.50	17.00	10.00	21.20	14.40	9.00	6.50	3.16	2.40
				Intermediate	550	13.00	8.40		15.95						
				Low	550	8.70	7.60		32.05						
HMH72B241S	TPLC080B12MP13C	17.5	XAFB36D	High	825	22.00	16.50	17.00	10.00	21.20	14.40	9.00	6.50	3.16	2.40
				Intermediate	550	13.00	8.40		15.95						
				Low	550	8.70	7.60		32.05						
HMH72B241S	YPLC080B12MP13C	17.5	XAFB36D	High	825	22.00	16.50	17.00	10.00	21.20	14.40	9.00	6.50	3.16	2.40
				Intermediate	550	13.00	8.40		15.95						
				Low	550	8.70	7.60		32.05						
HMH72B241S	TM8V080B12MP12C	17.5	XAFB36D	High	825	22.00	16.50	17.00	10.00	21.20	14.40	9.00	6.50	3.16	2.40
				Intermediate	550	13.00	8.40		15.95						
				Low	550	8.70	7.60		32.05						
HMH72B241S	TM8V080B12MP12C	17.5	XAUB36D	High	825	22.00	16.50	17.00	10.00	21.20	14.40	9.00	6.50	3.16	2.40
				Intermediate	550	13.00	8.40		15.95						
				Low	550	8.70	7.60		32.05						
HMH72B241S	TPLC080B12MP13C	17.5	XAFB36D	High	825	22.00	16.50	17.00	10.00	21.20	14.40	9.00	6.50	3.16	2.40
				Intermediate	550	13.00	8.40		15.95						
				Low	550	8.70	7.60		32.05						
HMH72B241S	TPLC080B12MP13C	17.5	XAUB36D	High	825	22.00	16.50	17.00	10.00	21.20	14.40	9.00	6.50	3.16	2.40
				Intermediate	550	13.00	8.40		15.95						
				Low	550	8.70	7.60		32.05						
HMH72B241S	YPLC080B12MP13C	17.5	XAFB36D	High	825	22.00	16.50	17.00	10.00	21.20	14.40	9.00	6.50	3.16	2.40
				Intermediate	550	13.00	8.40		15.95						
				Low	550	8.70	7.60		32.05						
HMH72B241S	YPLC080B12MP13C	17.5	XAUB36D	High	825	22.00	16.50	17.00	10.00	21.20	14.40	9.00	6.50	3.16	2.40
				Intermediate	550	13.00	8.40		15.95						
				Low	550	8.70	7.60		32.05						
HMH72B241S	TM8E100B12MP11	21.0	XAFB36D	High	825	22.20	16.70	17.00	10.25	21.00	14.30	9.00	7.15	3.18	2.42
				Intermediate	725	13.40	10.20		16.00						
				Low	725	9.10	8.60		30.90						
HMH72B241S	TMLE100B12MP11	21.0	XAFB36D	High	825	22.20	16.70	17.00	10.25	21.00	14.30	9.00	7.15	3.18	2.42
				Intermediate	725	13.40	10.20		16.00						
				Low	725	9.10	8.60		30.90						
HMH72B241S	TM8E100B12MP11	21.0	XAFB36D	High	825	22.20	16.70	17.00	10.25	21.00	14.30	9.00	7.15	3.18	2.42
				Intermediate	725	13.40	10.20		16.00						
				Low	725	9.10	8.60		30.90						
HMH72B241S	TMLE100B12MP11	21.0	XAFB36D	High	825	22.20	16.70	17.00	10.25	21.00	14.30	9.00	7.15	3.18	2.42
				Intermediate	725	13.40	10.20		16.00						
				Low	725	9.10	8.60		30.90						
HMH72B241S	TL8E060A12UH11	14.5	XAFA30D	High	825	22.00	16.50	16.75	10.00	21.20	14.40	9.00	6.75	3.16	2.40
				Intermediate	625	13.20	9.20		15.90						
				Low	625	8.90	8.10		31.10						
HMH72B241S	TL8E060A12UH11	14.5	XAFA30D	High	825	22.00	16.50	16.75	10.00	21.20	14.40	9.00	6.75	3.16	2.40
				Intermediate	625	13.20	9.20		15.90						
				Low	625	8.90	8.10		31.10						
HMH72B241S	TM9E080B12MP12	17.5	XAHB36D	High	900	22.00	16.90	15.50	9.50	21.40	14.40	8.50	6.70	3.16	2.38
				Intermediate	775	13.20	10.50		15.10						
				Low	775	8.50	7.90		25.20						
HMH72B241S	TM9E080B12MP12	17.5	XAHB36D	High	900	22.00	16.90	15.50	9.50	21.40	14.40	8.50	6.70	3.16	2.38
				Intermediate	775	13.20	10.50		15.10						
				Low	775	8.50	7.90		25.20						

**Table 6: Furnace capacity - 2 ton**

Outdoor unit model	Furnace model	Furnace width (in.)	Indoor coil model	Stage	Rated CFM	Net cool (MBH)	Sens cool (MBH)	SEER2	EER2	Net47 (MBH)	Net17 (MBH)	HSPF2 IV	HSPF2 V	Cop47	Cop17
HMH72B241S	TM8E080B12MP11	17.5	XAHB36D	High	850	21.80	16.50	16.00	9.50	21.20	14.20	8.50	6.60	3.12	2.36
				Intermediate	725	13.10	10.00		15.40						
				Low	725	8.50	7.70		27.05						
HMH72B241S	TMLE080B12MP11	17.5	XAHB36D	High	850	21.80	16.50	16.00	9.50	21.20	14.20	8.50	6.60	3.12	2.36
				Intermediate	725	13.10	10.00		15.40						
				Low	725	8.50	7.70		27.05						
HMH72B241S	TM8E080B12MP11	17.5	XAHB36D	High	850	21.80	16.50	16.00	9.50	21.20	14.20	8.50	6.60	3.12	2.36
				Intermediate	725	13.10	10.00		15.40						
				Low	725	8.50	7.70		27.05						
HMH72B241S	TMLE080B12MP11	17.5	XAHB36D	High	850	21.80	16.50	16.00	9.50	21.20	14.20	8.50	6.60	3.12	2.36
				Intermediate	725	13.10	10.00		15.40						
				Low	725	8.50	7.70		27.05						
HMH72B241S	TM9Y060B12MP11	21.0	XAFC36D	High	850	22.00	16.60	16.50	10.00	21.40	14.50	9.00	6.75	3.16	2.40
				Intermediate	700	13.30	10.00		15.75						
				Low	700	9.00	8.50		29.60						
HMH72B241S	TM9Y060B12MP11	21.0	XAFC36D	High	850	22.00	16.60	16.50	10.00	21.40	14.50	9.00	6.75	3.16	2.40
				Intermediate	700	13.30	10.00		15.75						
				Low	700	9.00	8.50		29.60						
HMH72B241S	TM9V080B12MP12C	17.5	XAHB36D	High	850	21.60	16.30	16.25	9.75	21.00	14.20	9.00	6.95	3.12	2.36
				Intermediate	600	12.90	8.80		15.60						
				Low	600	8.40	7.20		29.15						
HMH72B241S	TP9C080B12MP13C	17.5	XAHB36D	High	850	21.60	16.30	16.25	9.75	21.00	14.20	9.00	6.95	3.12	2.36
				Intermediate	600	12.90	8.80		15.60						
				Low	600	8.40	7.20		29.15						
HMH72B241S	YP9C080B12MP13C	17.5	XAHB36D	High	850	21.60	16.30	16.25	9.75	21.00	14.20	9.00	6.95	3.12	2.36
				Intermediate	600	12.90	8.80		15.60						
				Low	600	8.40	7.20		29.15						
HMH72B241S	TM9V080B12MP12C	17.5	XAHB36D	High	850	21.60	16.30	16.25	9.75	21.00	14.20	9.00	6.95	3.12	2.36
				Intermediate	600	12.90	8.80		15.60						
				Low	600	8.40	7.20		29.15						
HMH72B241S	TP9C080B12MP13C	17.5	XAHB36D	High	850	21.60	16.30	16.25	9.75	21.00	14.20	9.00	6.95	3.12	2.36
				Intermediate	600	12.90	8.80		15.60						
				Low	600	8.40	7.20		29.15						
HMH72B241S	YP9C080B12MP13C	17.5	XAHB36D	High	850	21.60	16.30	16.25	9.75	21.00	14.20	9.00	6.95	3.12	2.36
				Intermediate	600	12.90	8.80		15.60						
				Low	600	8.40	7.20		29.15						
HMH72B241S	TM9V060B12MP12C	17.5	XAFB36D	High	875	22.20	16.90	17.00	9.75	21.40	14.60	9.00	7.15	3.20	2.42
				Intermediate	575	13.10	8.70		16.00						
				Low	575	8.80	7.80		32.10						
HMH72B241S	TP9C060B12MP13C	17.5	XAFB36D	High	875	22.20	16.90	17.00	9.75	21.40	14.60	9.00	7.15	3.20	2.42
				Intermediate	575	13.10	8.70		16.00						
				Low	575	8.80	7.80		32.10						
HMH72B241S	YP9C060B12MP13C	17.5	XAFB36D	High	875	22.20	16.90	17.00	9.75	21.40	14.60	9.00	7.15	3.20	2.42
				Intermediate	575	13.10	8.70		16.00						
				Low	575	8.80	7.80		32.10						
HMH72B241S	TM9V060B12MP12C	17.5	XAFB36D	High	875	22.20	16.90	17.00	9.75	21.40	14.60	9.00	7.15	3.20	2.42
				Intermediate	575	13.10	8.70		16.00						
				Low	575	8.80	7.80		32.10						
HMH72B241S	TM9V060B12MP12C	17.5	XAUB36D	High	875	22.20	16.90	17.00	9.75	21.40	14.60	9.00	7.15	3.20	2.42
				Intermediate	575	13.10	8.70		16.00						
				Low	575	8.80	7.80		32.10						
HMH72B241S	TP9C060B12MP13C	17.5	XAFB36D	High	875	22.20	16.90	17.00	9.75	21.40	14.60	9.00	7.15	3.20	2.42
				Intermediate	575	13.10	8.70		16.00						
				Low	575	8.80	7.80		32.10						
HMH72B241S	TP9C060B12MP13C	17.5	XAUB36D	High	875	22.20	16.90	17.00	9.75	21.40	14.60	9.00	7.15	3.20	2.42
				Intermediate	575	13.10	8.70		16.00						
				Low	575	8.80	7.80		32.10						
HMH72B241S	YP9C060B12MP13C	17.5	XAFB36D	High	875	22.20	16.90	17.00	9.75	21.40	14.60	9.00	7.15	3.20	2.42
				Intermediate	575	13.10	8.70		16.00						
				Low	575	8.80	7.80		32.10						

**Table 6: Furnace capacity - 2 ton**

Outdoor unit model	Furnace model	Furnace width (in.)	Indoor coil model	Stage	Rated CFM	Net cool (MBH)	Sens cool (MBH)	SEER2	EER2	Net47 (MBH)	Net17 (MBH)	HSPF2 IV	HSPF2 V	Cop47	Cop17
HMH72B241S	YP9C060B12MP13C	17.5	XAUB36D	High	875	22.20	16.90	17.00	9.75	21.40	14.60	9.00	7.15	3.20	2.42
				Intermediate	575	13.10	8.70		16.00						
				Low	575	8.80	7.80		32.10						
HMH72B241S	TM9E060A10MP12	14.5	XAFA30D	High	850	22.00	16.60	16.00	9.75	21.40	14.60	9.00	6.95	3.14	2.38
				Intermediate	675	13.20	9.70		15.25						
				Low	675	8.90	8.40		27.65						
HMH72B241S	TM9E060A10MP12	14.5	XAFA30D	High	850	22.00	16.60	16.00	9.75	21.40	14.60	9.00	6.95	3.14	2.38
				Intermediate	675	13.20	9.70		15.25						
				Low	675	8.90	8.40		27.65						
HMH72B241S	TM8Y080B12MP11	21.0	XAHC36D	High	825	21.60	16.20	16.25	10.00	21.00	14.00	9.00	6.80	3.12	2.38
				Intermediate	675	13.00	9.50		15.70						
				Low	675	8.50	7.50		28.70						
HMH72B241S	TM8Y080B12MP11	21.0	XAHC36D	High	825	21.60	16.20	16.25	10.00	21.00	14.00	9.00	6.80	3.12	2.38
				Intermediate	675	13.00	9.50		15.70						
				Low	675	8.50	7.50		28.70						
HMH72B241S	TM8V080B12MP12C	21.0	XAHC36D	High	825	21.40	16.00	16.25	9.75	21.00	14.10	9.00	6.95	3.10	2.34
				Intermediate	550	12.70	8.20		15.60						
				Low	550	8.30	7.00		29.55						
HMH72B241S	TPLC080B12MP13C	21.0	XAHC36D	High	825	21.40	16.00	16.25	9.75	21.00	14.10	9.00	6.95	3.10	2.34
				Intermediate	550	12.70	8.20		15.60						
				Low	550	8.30	7.00		29.55						
HMH72B241S	YPLC080B12MP13C	21.0	XAHC36D	High	825	21.40	16.00	16.25	9.75	21.00	14.10	9.00	6.95	3.10	2.34
				Intermediate	550	12.70	8.20		15.60						
				Low	550	8.30	7.00		29.55						
HMH72B241S	TM8V080B12MP12C	21.0	XAHC36D	High	825	21.40	16.00	16.25	9.75	21.00	14.10	9.00	6.95	3.10	2.34
				Intermediate	550	12.70	8.20		15.60						
				Low	550	8.30	7.00		29.55						
HMH72B241S	TPLC080B12MP13C	21.0	XAHC36D	High	825	21.40	16.00	16.25	9.75	21.00	14.10	9.00	6.95	3.10	2.34
				Intermediate	550	12.70	8.20		15.60						
				Low	550	8.30	7.00		29.55						
HMH72B241S	YPLC080B12MP13C	21.0	XAHC36D	High	825	21.40	16.00	16.25	9.75	21.00	14.10	9.00	6.95	3.10	2.34
				Intermediate	550	12.70	8.20		15.60						
				Low	550	8.30	7.00		29.55						
HMH72B241S	TM8E040A12MP11	14.5	XAFA30D	High	825	22.00	16.50	16.75	10.00	21.20	14.40	9.00	6.75	3.16	2.40
				Intermediate	650	13.20	9.40		15.90						
				Low	650	8.90	8.20		30.80						
HMH72B241S	TMLE040A12MP11	14.5	XAFA30D	High	825	22.00	16.50	16.75	10.00	21.20	14.40	9.00	6.75	3.16	2.40
				Intermediate	650	13.20	9.40		15.90						
				Low	650	8.90	8.20		30.80						
HMH72B241S	TM8E040A12MP11	14.5	XAFA30D	High	825	22.00	16.50	16.75	10.00	21.20	14.40	9.00	6.75	3.16	2.40
				Intermediate	650	13.20	9.40		15.90						
				Low	650	8.90	8.20		30.80						
HMH72B241S	TMLE040A12MP11	14.5	XAFA30D	High	825	22.00	16.50	16.75	10.00	21.20	14.40	9.00	6.75	3.16	2.40
				Intermediate	650	13.20	9.40		15.90						
				Low	650	8.90	8.20		30.80						
HMH72B241S	TM8E040A12MP11	17.5	XAFB36D	High	875	22.20	16.90	17.25	10.00	21.40	14.50	9.30	6.70	3.24	2.44
				Intermediate	725	13.50	10.30		16.20						
				Low	725	9.10	8.60		31.85						
HMH72B241S	TMLE040A12MP11	17.5	XAFB36D	High	875	22.20	16.90	17.25	10.00	21.40	14.50	9.30	6.70	3.24	2.44
				Intermediate	725	13.50	10.30		16.20						
				Low	725	9.10	8.60		31.85						
HMH72B241S	TM8E040A12MP11	17.5	XAUB36D	High	875	22.20	16.90	17.25	10.00	21.40	14.50	9.30	6.70	3.24	2.44
				Intermediate	725	13.50	10.30		16.20						
				Low	725	9.10	8.60		31.85						
HMH72B241S	TMLE040A12MP11	17.5	XAFB36D	High	875	22.20	16.90	17.25	10.00	21.40	14.50	9.30	6.70	3.24	2.44
				Intermediate	725	13.50	10.30		16.20						
				Low	725	9.10	8.60		31.85						

**Table 6: Furnace capacity - 2 ton**

Outdoor unit model	Furnace model	Furnace width (in.)	Indoor coil model	Stage	Rated CFM	Net cool (MBH)	Sens cool (MBH)	SEER2	EER2	Net47 (MBH)	Net17 (MBH)	HSPF2 IV	HSPF2 V	Cop47	Cop17
HMH72B241S	TMLE040A12MP11	17.5	XAUB36D	High	875	22.20	16.90	17.25	10.00	21.40	14.50	9.30	6.70	3.24	2.44
				Intermediate	725	13.50	10.30		16.20						
				Low	725	9.10	8.60		31.85	6.00	4.12				
HMH72B241S	TM9E060B12MP12	21.0	XAFC36D	High	925	22.40	17.40	16.00	9.50	22.00	14.80	9.00	7.55	3.24	2.44
				Intermediate	750	13.40	10.50		15.45						
				Low	750	9.00	8.70		27.85	6.10	3.98				
HMH72B241S	TM9E060B12MP12	21.0	XAFC36D	High	925	22.40	17.40	16.00	9.50	22.00	14.80	9.00	7.55	3.24	2.44
				Intermediate	750	13.40	10.50		15.45						
				Low	750	9.00	8.70		27.85	6.10	3.98				
HMH72B241S	TM8E060A12MP11	17.5	XAHB36D	High	850	22.00	16.60	15.50	9.50	21.00	14.20	8.50	6.65	3.12	2.38
				Intermediate	725	13.10	10.00		15.30						
				Low	725	8.50	7.70		26.45	5.80	3.74				
HMH72B241S	TMLE060A12MP11	17.5	XAHB36D	High	850	22.00	16.60	15.50	9.50	21.00	14.20	8.50	6.65	3.12	2.38
				Intermediate	725	13.10	10.00		15.30						
				Low	725	8.50	7.70		26.45	5.80	3.74				
HMH72B241S	TM8E060A12MP11	17.5	XAHB36D	High	850	22.00	16.60	15.50	9.50	21.00	14.20	8.50	6.65	3.12	2.38
				Intermediate	725	13.10	10.00		15.30						
				Low	725	8.50	7.70		26.45	5.80	3.74				
HMH72B241S	TMLE060A12MP11	17.5	XAHB36D	High	850	22.00	16.60	15.50	9.50	21.00	14.20	8.50	6.65	3.12	2.38
				Intermediate	725	13.10	10.00		15.30						
				Low	725	8.50	7.70		26.45	5.80	3.74				
HMH72B241S	TM9Y060B12MP11	17.5	XAHB36D	High	825	21.40	16.00	15.75	9.50	21.00	14.20	8.50	6.15	3.06	2.34
				Intermediate	675	13.00	9.50		15.20						
				Low	675	8.40	7.50		26.60	5.70	3.72				
HMH72B241S	TM9Y060B12MP11	17.5	XAHB36D	High	825	21.40	16.00	15.75	9.50	21.00	14.20	8.50	6.15	3.06	2.34
				Intermediate	675	13.00	9.50		15.20						
				Low	675	8.40	7.50		26.60	5.70	3.72				
HMH72B241S	TM9V080B12MP12C	21.0	XAHC36D	High	850	21.60	16.30	16.50	9.75	21.00	14.10	9.00	6.95	3.14	2.38
				Intermediate	600	12.90	8.80		15.75						
				Low	600	8.40	7.20		29.85	5.50	3.96				
HMH72B241S	TP9C080B12MP13C	21.0	XAHC36D	High	850	21.60	16.30	16.50	9.75	21.00	14.10	9.00	6.95	3.14	2.38
				Intermediate	600	12.90	8.80		15.75						
				Low	600	8.40	7.20		29.85	5.50	3.96				
HMH72B241S	YP9C080B12MP13C	21.0	XAHC36D	High	850	21.60	16.30	16.50	9.75	21.00	14.10	9.00	6.95	3.14	2.38
				Intermediate	600	12.90	8.80		15.75						
				Low	600	8.40	7.20		29.85	5.50	3.96				
HMH72B241S	TM9V080B12MP12C	21.0	XAHC36D	High	850	21.60	16.30	16.50	9.75	21.00	14.10	9.00	6.95	3.14	2.38
				Intermediate	600	12.90	8.80		15.75						
				Low	600	8.40	7.20		29.85	5.50	3.96				
HMH72B241S	TP9C080B12MP13C	21.0	XAHC36D	High	850	21.60	16.30	16.50	9.75	21.00	14.10	9.00	6.95	3.14	2.38
				Intermediate	600	12.90	8.80		15.75						
				Low	600	8.40	7.20		29.85	5.50	3.96				
HMH72B241S	YP9C080B12MP13C	21.0	XAHC36D	High	850	21.60	16.30	16.50	9.75	21.00	14.10	9.00	6.95	3.14	2.38
				Intermediate	600	12.90	8.80		15.75						
				Low	600	8.40	7.20		29.85	5.50	3.96				
HMH72B241S	TM9V060B12MP12C	21.0	XAFC36D	High	875	22.20	16.90	17.00	10.00	21.40	14.60	9.00	7.15	3.22	2.42
				Intermediate	575	13.10	8.70		16.05						
				Low	575	8.80	7.80		32.35	5.70	4.24				
HMH72B241S	TP9C060B12MP13C	21.0	XAFC36D	High	875	22.20	16.90	17.00	10.00	21.40	14.60	9.00	7.15	3.22	2.42
				Intermediate	575	13.10	8.70		16.05						
				Low	575	8.80	7.80		32.35	5.70	4.24				
HMH72B241S	YP9C060B12MP13C	21.0	XAFC36D	High	875	22.20	16.90	17.00	10.00	21.40	14.60	9.00	7.15	3.22	2.42
				Intermediate	575	13.10	8.70		16.05						
				Low	575	8.80	7.80		32.35	5.70	4.24				
HMH72B241S	TM9V060B12MP12C	21.0	XAFC36D	High	875	22.20	16.90	17.00	10.00	21.40	14.60	9.00	7.15	3.22	2.42
				Intermediate	575	13.10	8.70		16.05						
				Low	575	8.80	7.80		32.35	5.70	4.24				
HMH72B241S	TP9C060B12MP13C	21.0	XAFC36D	High	875	22.20	16.90	17.00	10.00	21.40	14.60	9.00	7.15	3.22	2.42
				Intermediate	575	13.10	8.70		16.05						
				Low	575	8.80	7.80		32.35	5.70	4.24				

**Table 6: Furnace capacity - 2 ton**

Outdoor unit model	Furnace model	Furnace width (in.)	Indoor coil model	Stage	Rated CFM	Net cool (MBH)	Sens cool (MBH)	SEER2	EER2	Net47 (MBH)	Net17 (MBH)	HSPF2 IV	HSPF2 V	Cop47	Cop17
HMH72B241S	YP9C060B12MP13C	21.0	XAFC36D	High	875	22.20	16.90	17.00	10.00	21.40	14.60	9.00	7.15	3.22	2.42
				Intermediate	575	13.10	8.70		16.05						
				Low	575	8.80	7.80		32.35	5.70					
HMH72B241S	TM9E060A10MP12	17.5	XAFB36D	High	875	22.20	16.90	16.00	9.75	21.60	14.60	9.00	6.95	3.18	2.40
				Intermediate	700	13.30	10.00		15.45						
				Low	700	8.90	8.40		28.25	6.00					
HMH72B241S	TM9E060A10MP12	17.5	XAFB36D	High	875	22.20	16.90	16.00	9.75	21.60	14.60	9.00	6.95	3.18	2.40
				Intermediate	700	13.30	10.00		15.45						
				Low	700	8.90	8.40		28.25	6.00					
HMH72B241S	TM9E060A10MP12	17.5	XAUB36D	High	875	22.20	16.90	16.00	9.75	21.60	14.60	9.00	6.95	3.18	2.40
				Intermediate	700	13.30	10.00		15.45						
				Low	700	8.90	8.40		28.25	6.00					
HMH72B241S	TM9E026A08MP12	14.5	XAFA30D	High	825	21.60	16.10	16.50	9.25	21.60	14.70	8.50	6.55	3.06	2.32
				Intermediate	525	12.90	8.20		15.70						
				Low	525	8.70	7.60		30.85	5.70					
HMH72B241S	TM9E026A08MP12	14.5	XAFA30D	High	825	21.60	16.10	16.50	9.25	21.60	14.70	8.50	6.55	3.06	2.32
				Intermediate	525	12.90	8.20		15.70						
				Low	525	8.70	7.60		30.85	5.70					
HMH72B241S	TM8Y060A12MP11	14.5	XAFA30D	High	875	22.00	16.70	16.50	9.75	21.60	14.70	9.00	6.85	3.18	2.40
				Intermediate	650	13.20	9.50		15.85						
				Low	650	8.90	8.20		30.60	5.80					
HMH72B241S	TM8Y060A12MP11	14.5	XAFA30D	High	875	22.00	16.70	16.50	9.75	21.60	14.70	9.00	6.85	3.18	2.40
				Intermediate	650	13.20	9.50		15.85						
				Low	650	8.90	8.20		30.60	5.80					
HMH72B241S	TL9E060B12UH11	17.5	XAFB36D	High	850	22.00	16.60	16.50	10.00	21.40	14.50	9.00	6.75	3.16	2.40
				Intermediate	650	13.20	9.50		15.75						
				Low	650	8.90	8.20		30.10	5.90					
HMH72B241S	TL9E060B12UH11	17.5	XAFB36D	High	850	22.00	16.60	16.50	10.00	21.40	14.50	9.00	6.75	3.16	2.40
				Intermediate	650	13.20	9.50		15.75						
				Low	650	8.90	8.20		30.10	5.90					
HMH72B241S	TL9E060B12UH11	17.5	XAUB36D	High	850	22.00	16.60	16.50	10.00	21.40	14.50	9.00	6.75	3.16	2.40
				Intermediate	650	13.20	9.50		15.75						
				Low	650	8.90	8.20		30.10	5.90					
HMH72B241S	TM9E080B12MP12	17.5	XAFB36D	High	925	22.60	17.60	16.00	10.00	22.00	14.70	9.00	7.50	3.26	2.46
				Intermediate	800	13.50	11.00		15.60						
				Low	800	9.10	8.90		28.20	6.10					
HMH72B241S	TM9E080B12MP12	17.5	XAFB36D	High	925	22.60	17.60	16.00	10.00	22.00	14.70	9.00	7.50	3.26	2.46
				Intermediate	800	13.50	11.00		15.60						
				Low	800	9.10	8.90		28.20	6.10					
HMH72B241S	TM9E080B12MP12	17.5	XAUB36D	High	925	22.60	17.60	16.00	10.00	22.00	14.70	9.00	7.50	3.26	2.46
				Intermediate	800	13.50	11.00		15.60						
				Low	800	9.10	8.90		28.20	6.10					
HMH72B241S	TM8E080B12MP11	17.5	XAFB36D	High	875	22.40	17.10	16.50	10.00	21.60	14.50	9.30	7.75	3.22	2.44
				Intermediate	750	13.50	10.50		15.95						
				Low	750	9.10	8.70		30.25	6.00					
HMH72B241S	TM8E080B12MP11	17.5	XAFB36D	High	875	22.40	17.10	16.50	10.00	21.60	14.50	9.30	7.75	3.22	2.44
				Intermediate	750	13.50	10.50		15.95						
				Low	750	9.10	8.70		30.25	6.00					
HMH72B241S	TM8E080B12MP11	17.5	XAUB36D	High	875	22.40	17.10	16.50	10.00	21.60	14.50	9.30	7.75	3.22	2.44
				Intermediate	750	13.50	10.50		15.95						
				Low	750	9.10	8.70		30.25	6.00					
HMH72B241S	TM8E080B12MP11	17.5	XAUB36D	High	875	22.40	17.10	16.50	10.00	21.60	14.50	9.30	7.75	3.22	2.44
				Intermediate	750	13.50	10.50		15.95						
				Low	750	9.10	8.70		30.25	6.00					
HMH72B241S	TMLE080B12MP11	17.5	XAFB36D	High	875	22.40	17.10	16.50	10.00	21.60	14.50	9.30	7.75	3.22	2.44
				Intermediate	750	13.50	10.50		15.95						
				Low	750	9.10	8.70		30.25	6.00					
HMH72B241S	TMLE080B12MP11	17.5	XAUB36D	High	875	22.40	17.10	16.50	10.00	21.60	14.50	9.30	7.75	3.22	2.44
				Intermediate	750	13.50	10.50		15.95						
				Low	750	9.10	8.70		30.25	6.00					



**Table 6: Furnace capacity - 2 ton**

Outdoor unit model	Furnace model	Furnace width (in.)	Indoor coil model	Stage	Rated CFM	Net cool (MBH)	Sens cool (MBH)	SEER2	EER2	Net47 (MBH)	Net17 (MBH)	HSPF2 IV	HSPF2 V	Cop47	Cop17
HMH72B241S	TM9Y060B12MP11	21.0	XAHC36D	High	850	21.60	16.30	15.75	9.75	21.00	14.20	8.50	6.80	3.10	2.36
				Intermediate	675	13.00	9.50		15.30						
				Low	675	8.40	7.50		26.85						
HMH72B241S	TM9Y060B12MP11	21.0	XAHC36D	High	850	21.60	16.30	15.75	9.75	21.00	14.20	8.50	6.80	3.10	2.36
				Intermediate	675	13.00	9.50		15.30						
				Low	675	8.40	7.50		26.85						
HMH72B241S	TM9Y040A10MP11	14.5	XAFA30D	High	775	21.60	15.90	16.00	9.25	21.20	14.50	8.50	6.80	3.00	2.30
				Intermediate	525	12.90	8.20		15.40						
				Low	525	8.60	7.50		29.30						
HMH72B241S	TM9Y040A10MP11	14.5	XAFA30D	High	775	21.60	15.90	16.00	9.25	21.20	14.50	8.50	6.80	3.00	2.30
				Intermediate	525	12.90	8.20		15.40						
				Low	525	8.60	7.50		29.30						
HMH72B241S	TM9V060B12MP12C	17.5	XAHB36D	High	875	21.60	16.40	16.00	9.50	21.20	14.40	8.50	6.55	3.12	2.36
				Intermediate	575	12.80	8.50		15.50						
				Low	575	8.30	7.00		28.90						
HMH72B241S	TP9C060B12MP13C	17.5	XAHB36D	High	875	21.60	16.40	16.00	9.50	21.20	14.40	8.50	6.55	3.12	2.36
				Intermediate	575	12.80	8.50		15.50						
				Low	575	8.30	7.00		28.90						
HMH72B241S	YP9C060B12MP13C	17.5	XAHB36D	High	875	21.60	16.40	16.00	9.50	21.20	14.40	8.50	6.55	3.12	2.36
				Intermediate	575	12.80	8.50		15.50						
				Low	575	8.30	7.00		28.90						
HMH72B241S	TM9V060B12MP12C	17.5	XAHB36D	High	875	21.60	16.40	16.00	9.50	21.20	14.40	8.50	6.55	3.12	2.36
				Intermediate	575	12.80	8.50		15.50						
				Low	575	8.30	7.00		28.90						
HMH72B241S	TP9C060B12MP13C	17.5	XAHB36D	High	875	21.60	16.40	16.00	9.50	21.20	14.40	8.50	6.55	3.12	2.36
				Intermediate	575	12.80	8.50		15.50						
				Low	575	8.30	7.00		28.90						
HMH72B241S	YP9C060B12MP13C	17.5	XAHB36D	High	875	21.60	16.40	16.00	9.50	21.20	14.40	8.50	6.55	3.12	2.36
				Intermediate	575	12.80	8.50		15.50						
				Low	575	8.30	7.00		28.90						
HMH72B241S	TM9E060A10MP12	17.5	XAHB36D	High	850	21.60	16.30	15.50	9.50	21.00	14.30	8.50	6.25	3.08	2.34
				Intermediate	700	13.00	9.80		15.05						
				Low	700	8.40	7.60		25.60						
HMH72B241S	TM9E060A10MP12	17.5	XAHB36D	High	850	21.60	16.30	15.50	9.50	21.00	14.30	8.50	6.25	3.08	2.34
				Intermediate	700	13.00	9.80		15.05						
				Low	700	8.40	7.60		25.60						
HMH72B241S	TM9E026A08MP12	17.5	XAFB36D	High	850	21.80	16.40	16.50	9.50	21.60	14.80	9.00	6.95	3.10	2.34
				Intermediate	525	12.90	8.20		15.70						
				Low	525	8.70	7.60		30.95						
HMH72B241S	TM9E026A08MP12	17.5	XAFB36D	High	850	21.80	16.40	16.50	9.50	21.60	14.80	9.00	6.95	3.10	2.34
				Intermediate	525	12.90	8.20		15.70						
				Low	525	8.70	7.60		30.95						
HMH72B241S	TM9E026A08MP12	17.5	XAUB36D	High	850	21.80	16.40	16.50	9.50	21.60	14.80	9.00	6.95	3.10	2.34
				Intermediate	525	12.90	8.20		15.70						
				Low	525	8.70	7.60		30.95						
HMH72B241S	TM8E040A12MP11	17.5	XAHB36D	High	825	21.60	16.20	16.25	9.75	21.00	14.10	8.50	6.70	3.10	2.36
				Intermediate	675	13.00	9.50		15.70						
				Low	675	8.50	7.50		28.70						
HMH72B241S	TMLE040A12MP11	17.5	XAHB36D	High	825	21.60	16.20	16.25	9.75	21.00	14.10	8.50	6.70	3.10	2.36
				Intermediate	675	13.00	9.50		15.70						
				Low	675	8.50	7.50		28.70						
HMH72B241S	TM8E040A12MP11	17.5	XAHB36D	High	825	21.60	16.20	16.25	9.75	21.00	14.10	8.50	6.70	3.10	2.36
				Intermediate	675	13.00	9.50		15.70						
				Low	675	8.50	7.50		28.70						
HMH72B241S	TMLE040A12MP11	17.5	XAHB36D	High	825	21.60	16.20	16.25	9.75	21.00	14.10	8.50	6.70	3.10	2.36
				Intermediate	675	13.00	9.50		15.70						
				Low	675	8.50	7.50		28.70						
HMH72B241S	TL9E060B12UH11	21.0	XAFC36D	High	850	22.00	16.60	16.75	10.00	21.40	14.50	9.00	6.75	3.18	2.40
				Intermediate	675	13.30	9.80		15.90						
				Low	675	8.90	8.30		30.65						

**Table 6: Furnace capacity - 2 ton**

Outdoor unit model	Furnace model	Furnace width (in.)	Indoor coil model	Stage	Rated CFM	Net cool (MBH)	Sens cool (MBH)	SEER2	EER2	Net47 (MBH)	Net17 (MBH)	HSPF2 IV	HSPF2 V	Cop47	Cop17
HMH72B241S	TL9E060B12UH11	21.0	XAFC36D	High	850	22.00	16.60	16.75	10.00	21.40	14.50	9.00	6.75	3.18	2.40
				Intermediate	675	13.30	9.80		15.90						
				Low	675	8.90	8.30		30.65	5.90					
HMH72B241S	TM9E080B12MP12	21.0	XAFC36D	High	925	22.60	17.60	16.00	10.00	22.00	14.70	9.00	7.50	3.28	2.46
				Intermediate	800	13.50	11.00		15.60						
				Low	800	9.10	8.90		28.30	6.10					
HMH72B241S	TM9E080B12MP12	21.0	XAFC36D	High	925	22.60	17.60	16.00	10.00	22.00	14.70	9.00	7.50	3.28	2.46
				Intermediate	800	13.50	11.00		15.60						
				Low	800	9.10	8.90		28.30	6.10					
HMH72B241S	TM8E080B12MP11	21.0	XAFC36D	High	900	22.60	17.40	16.50	10.00	21.80	14.60	9.30	7.75	3.26	2.46
				Intermediate	750	13.50	10.50		15.95						
				Low	750	9.10	8.70		30.25	6.00					
HMH72B241S	TMLE080B12MP11	21.0	XAFC36D	High	900	22.60	17.40	16.50	10.00	21.80	14.60	9.30	7.75	3.26	2.46
				Intermediate	750	13.50	10.50		15.95						
				Low	750	9.10	8.70		30.25	6.00					
HMH72B241S	TM8E080B12MP11	21.0	XAFC36D	High	900	22.60	17.40	16.50	10.00	21.80	14.60	9.30	7.75	3.26	2.46
				Intermediate	750	13.50	10.50		15.95						
				Low	750	9.10	8.70		30.25	6.00					
HMH72B241S	TMLE080B12MP11	21.0	XAFC36D	High	900	22.60	17.40	16.50	10.00	21.80	14.60	9.30	7.75	3.26	2.46
				Intermediate	750	13.50	10.50		15.95						
				Low	750	9.10	8.70		30.25	6.00					
HMH72B241S	TM9Y100C16MP11	21.0	XAHC36D	High	750	21.80	15.90	16.00	9.50	22.00	14.00	7.50	6.20	3.08	2.24
				Intermediate	525	13.00	8.30		15.45						
				Low	525	8.40	7.10		27.80	2.10					
HMH72B241S	TM9Y100C16MP11	21.0	XAHC36D	High	750	21.80	15.90	16.00	9.50	22.00	14.00	7.50	6.20	3.08	2.24
				Intermediate	525	13.00	8.30		15.45						
				Low	525	8.40	7.10		27.80	2.10					
HMH72B241S	TM9Y080B12MP11	21.0	XAFC36D	High	750	22.40	16.20	16.00	10.00	22.40	14.20	7.50	6.10	3.14	2.28
				Intermediate	625	13.50	9.60		15.50						
				Low	625	9.00	8.50		27.90	2.20					
HMH72B241S	TM9Y080B12MP11	21.0	XAFC36D	High	750	22.40	16.20	16.00	10.00	22.40	14.20	7.50	6.10	3.14	2.28
				Intermediate	625	13.50	9.60		15.50						
				Low	625	9.00	8.50		27.90	2.20					
HMH72B241S	TM8E120C16MP11	21.0	XAFC36D	High	700	22.20	15.80	16.00	10.00	22.20	14.20	7.50	6.05	3.12	2.28
				Intermediate	625	13.50	9.60		15.45						
				Low	625	9.00	8.50		27.50	2.20					
HMH72B241S	TMLE120C16MP11	21.0	XAFC36D	High	700	22.20	15.80	16.00	10.00	22.20	14.20	7.50	6.05	3.12	2.28
				Intermediate	625	13.50	9.60		15.45						
				Low	625	9.00	8.50		27.50	2.20					
HMH72B241S	TM8E120C16MP11	21.0	XAFC36D	High	700	22.20	15.80	16.00	10.00	22.20	14.20	7.50	6.05	3.12	2.28
				Intermediate	625	13.50	9.60		15.45						
				Low	625	9.00	8.50		27.50	2.20					
HMH72B241S	TMLE120C16MP11	21.0	XAFC36D	High	700	22.20	15.80	16.00	10.00	22.20	14.20	7.50	6.05	3.12	2.28
				Intermediate	625	13.50	9.60		15.45						
				Low	625	9.00	8.50		27.50	2.20					
HMH72B241S	TM8E100B12MP11	17.5	XAFB36D	High	725	22.40	16.10	16.00	10.00	22.20	14.20	7.50	5.80	3.12	2.28
				Intermediate	600	13.40	9.30		15.60						
				Low	600	9.00	8.30		28.35	2.10					
HMH72B241S	TMLE100B12MP11	17.5	XAFB36D	High	725	22.40	16.10	16.00	10.00	22.20	14.20	7.50	5.80	3.12	2.28
				Intermediate	600	13.40	9.30		15.60						
				Low	600	9.00	8.30		28.35	2.10					
HMH72B241S	TM8E100B12MP11	17.5	XAFB36D	High	725	22.40	16.10	16.00	10.00	22.20	14.20	7.50	5.80	3.12	2.28
				Intermediate	600	13.40	9.30		15.60						
				Low	600	9.00	8.30		28.35	2.10					
HMH72B241S	TM8E100B12MP11	17.5	XAUB36D	High	725	22.40	16.10	16.00	10.00	22.20	14.20	7.50	5.80	3.12	2.28
				Intermediate	600	13.40	9.30		15.60						
				Low	600	9.00	8.30		28.35	2.10					
HMH72B241S	TMLE100B12MP11	17.5	XAFB36D	High	725	22.40	16.10	16.00	10.00	22.20	14.20	7.50	5.80	3.12	2.28
				Intermediate	600	13.40	9.30		15.60						
				Low	600	9.00	8.30		28.35	2.10					

**Table 6: Furnace capacity - 2 ton**

Outdoor unit model	Furnace model	Furnace width (in.)	Indoor coil model	Stage	Rated CFM	Net cool (MBH)	Sens cool (MBH)	SEER2	EER2	Net47 (MBH)	Net17 (MBH)	HSPF2 IV	HSPF2 V	Cop47	Cop17
HMH72B241S	TMLE100B12MP11	17.5	XAUB36D	High	725	22.40	16.10	16.00	10.00	22.20	14.20	7.50	5.80	3.12	2.28
				Intermediate	600	13.40	9.30		15.60						
				Low	600	9.00	8.30		28.35	2.10	1.26				
HMH72B241S	TL8E080C16UH11	21.0	XAFC36D	High	900	23.00	17.70	15.00	9.50	23.00	14.20	7.50	6.35	3.28	2.28
				Intermediate	800	13.80	11.50		15.00						
				Low	800	9.20	9.50		24.80	2.60	1.32				
HMH72B241S	TL8E080C16UH11	21.0	XAFC36D	High	900	23.00	17.70	15.00	9.50	23.00	14.20	7.50	6.35	3.28	2.28
				Intermediate	800	13.80	11.50		15.00						
				Low	800	9.20	9.50		24.80	2.60	1.32				
HMH72B241S	TM9E080C16MP12	21.0	XAFC36D	High	675	22.20	15.60	16.00	10.00	22.20	14.20	7.50	6.05	3.08	2.28
				Intermediate	575	13.30	9.00		15.35						
				Low	575	8.90	8.20		27.55	2.10	1.24				
HMH72B241S	TM9E080C16MP12	21.0	XAFC36D	High	675	22.20	15.60	16.00	10.00	22.20	14.20	7.50	6.05	3.08	2.28
				Intermediate	575	13.30	9.00		15.35						
				Low	575	8.90	8.20		27.55	2.10	1.24				
HMH72B241S	TM8Y080C16MP11	21.0	XAFC36D	High	725	22.40	16.10	16.50	10.00	22.40	14.20	7.50	6.00	3.14	2.28
				Intermediate	625	13.50	9.60		15.85						
				Low	625	9.10	8.50		29.45	2.10	1.28				
HMH72B241S	TM8Y080C16MP11	21.0	XAFC36D	High	725	22.40	16.10	16.50	10.00	22.40	14.20	7.50	6.00	3.14	2.28
				Intermediate	625	13.50	9.60		15.85						
				Low	625	9.10	8.50		29.45	2.10	1.28				
HMH72B241S	TM8E120C16MP11	21.0	XAHC36D	High	700	21.80	15.50	15.00	9.50	21.80	13.90	7.50	6.05	3.06	2.24
				Intermediate	625	13.20	9.40		15.10						
				Low	625	8.50	7.60		25.40	2.30	1.32				
HMH72B241S	TMLE120C16MP11	21.0	XAHC36D	High	700	21.80	15.50	15.00	9.50	21.80	13.90	7.50	6.05	3.06	2.24
				Intermediate	625	13.20	9.40		15.10						
				Low	625	8.50	7.60		25.40	2.30	1.32				
HMH72B241S	TM8E120C16MP11	21.0	XAHC36D	High	700	21.80	15.50	15.00	9.50	21.80	13.90	7.50	6.05	3.06	2.24
				Intermediate	625	13.20	9.40		15.10						
				Low	625	8.50	7.60		25.40	2.30	1.32				
HMH72B241S	TMLE120C16MP11	21.0	XAHC36D	High	700	21.80	15.50	15.00	9.50	21.80	13.90	7.50	6.05	3.06	2.24
				Intermediate	625	13.20	9.40		15.10						
				Low	625	8.50	7.60		25.40	2.30	1.32				
HMH72B241S	TM9Y100C16MP11	21.0	XAFC36D	High	750	22.40	16.20	16.50	10.00	22.40	14.20	7.50	6.10	3.14	2.28
				Intermediate	550	13.30	8.80		15.80						
				Low	550	8.90	8.00		29.85	2.00	1.26				
HMH72B241S	TM9Y100C16MP11	21.0	XAFC36D	High	750	22.40	16.20	16.50	10.00	22.40	14.20	7.50	6.10	3.14	2.28
				Intermediate	550	13.30	8.80		15.80						
				Low	550	8.90	8.00		29.85	2.00	1.26				
HMH72B241S	TM8E100C16MP11	21.0	XAHC36D	High	675	21.60	15.30	15.00	9.50	21.80	14.00	7.50	6.05	3.02	2.24
				Intermediate	600	13.10	9.10		15.00						
				Low	600	8.50	7.50		25.20	2.30	1.30				
HMH72B241S	TMLE100C16MP11	21.0	XAHC36D	High	675	21.60	15.30	15.00	9.50	21.80	14.00	7.50	6.05	3.02	2.24
				Intermediate	600	13.10	9.10		15.00						
				Low	600	8.50	7.50		25.20	2.30	1.30				
HMH72B241S	TM8E100C16MP11	21.0	XAHC36D	High	675	21.60	15.30	15.00	9.50	21.80	14.00	7.50	6.05	3.02	2.24
				Intermediate	600	13.10	9.10		15.00						
				Low	600	8.50	7.50		25.20	2.30	1.30				
HMH72B241S	TMLE100C16MP11	21.0	XAHC36D	High	675	21.60	15.30	15.00	9.50	21.80	14.00	7.50	6.05	3.02	2.24
				Intermediate	600	13.10	9.10		15.00						
				Low	600	8.50	7.50		25.20	2.30	1.30				
HMH72B241S	TM8E080C16MP11	21.0	XAHC36D	High	700	21.80	15.50	15.00	9.50	21.80	13.90	7.50	6.05	3.04	2.24
				Intermediate	625	13.10	9.30		14.95						
				Low	625	8.50	7.60		24.90	2.30	1.30				
HMH72B241S	TMLE080C16MP11	21.0	XAHC36D	High	700	21.80	15.50	15.00	9.50	21.80	13.90	7.50	6.05	3.04	2.24
				Intermediate	625	13.10	9.30		14.95						
				Low	625	8.50	7.60		24.90	2.30	1.30				
HMH72B241S	TM8E080C16MP11	21.0	XAHC36D	High	700	21.80	15.50	15.00	9.50	21.80	13.90	7.50	6.05	3.04	2.24
				Intermediate	625	13.10	9.30		14.95						
				Low	625	8.50	7.60		24.90	2.30	1.30				

**Table 6: Furnace capacity - 2 ton**

Outdoor unit model	Furnace model	Furnace width (in.)	Indoor coil model	Stage	Rated CFM	Net cool (MBH)	Sens cool (MBH)	SEER2	EER2	Net47 (MBH)	Net17 (MBH)	HSPF2 IV	HSPF2 V	Cop47	Cop17
HMH72B241S	TMLE080C16MP11	21.0	XAHC36D	High	700	21.80	15.50	15.00	9.50	21.80	13.90	7.50	6.05	3.04	2.24
				Intermediate	625	13.10	9.30		14.95						
				Low	625	8.50	7.60		24.90						
HMH72B241S	TL9E080C16UH11	21.0	XAFC36D	High	925	23.00	17.80	15.50	9.50	23.20	14.20	7.50	6.40	3.30	2.26
				Intermediate	775	13.70	11.10		15.10						
				Low	775	9.20	9.30		25.15						
HMH72B241S	TL9E080C16UH11	21.0	XAFC36D	High	925	23.00	17.80	15.50	9.50	23.20	14.20	7.50	6.40	3.30	2.26
				Intermediate	775	13.70	11.10		15.10						
				Low	775	9.20	9.30		25.15						
HMH72B241S	TM9Y080C16MP11	21.0	XAHC36D	High	750	21.80	15.90	16.50	9.50	22.20	14.00	7.50	6.20	3.08	2.22
				Intermediate	550	13.10	8.50		15.85						
				Low	550	8.50	7.20		29.45						
HMH72B241S	TM9Y080C16MP11	21.0	XAHC36D	High	750	21.80	15.90	16.50	9.50	22.20	14.00	7.50	6.20	3.08	2.22
				Intermediate	550	13.10	8.50		15.85						
				Low	550	8.50	7.20		29.45						
HMH72B241S	TM9E100C16MP12	21.0	XAHC36D	High	700	21.80	15.50	15.00	9.50	21.80	14.00	7.50	6.20	3.04	2.24
				Intermediate	600	13.10	9.10		14.90						
				Low	600	8.50	7.50		24.85						
HMH72B241S	TM9E100C16MP12	21.0	XAHC36D	High	700	21.80	15.50	15.00	9.50	21.80	14.00	7.50	6.20	3.04	2.24
				Intermediate	600	13.10	9.10		14.90						
				Low	600	8.50	7.50		24.85						
HMH72B241S	TM8Y100C16MP11	21.0	XAHC36D	High	750	22.00	16.00	15.50	9.50	22.00	13.90	7.50	6.20	3.10	2.24
				Intermediate	625	13.20	9.30		15.45						
				Low	625	8.60	7.60		26.95						
HMH72B241S	TM8Y080C16MP11	21.0	XAHC36D	High	750	22.00	16.00	15.50	9.50	22.00	13.90	7.50	6.20	3.10	2.24
				Intermediate	625	13.20	9.30		15.45						
				Low	625	8.60	7.60		26.95						
HMH72B241S	TM8Y100C16MP11	21.0	XAHC36D	High	750	22.00	16.00	15.50	9.50	22.00	13.90	7.50	6.20	3.10	2.24
				Intermediate	625	13.20	9.30		15.45						
				Low	625	8.60	7.60		26.95						
HMH72B241S	TM8Y080C16MP11	21.0	XAHC36D	High	750	22.00	16.00	15.50	9.50	22.00	13.90	7.50	6.20	3.10	2.24
				Intermediate	625	13.20	9.30		15.45						
				Low	625	8.60	7.60		26.95						
HMH72B241S	TM8E100C16MP11	21.0	XAFC36D	High	700	22.20	15.80	16.00	10.00	22.20	14.20	7.50	6.05	3.12	2.28
				Intermediate	625	13.50	9.60		15.45						
				Low	625	9.00	8.50		27.50						
HMH72B241S	TMLE100C16MP11	21.0	XAFC36D	High	700	22.20	15.80	16.00	10.00	22.20	14.20	7.50	6.05	3.12	2.28
				Intermediate	625	13.50	9.60		15.45						
				Low	625	9.00	8.50		27.50						
HMH72B241S	TM8E100C16MP11	21.0	XAFC36D	High	700	22.20	15.80	16.00	10.00	22.20	14.20	7.50	6.05	3.12	2.28
				Intermediate	625	13.50	9.60		15.45						
				Low	625	9.00	8.50		27.50						
HMH72B241S	TMLE100C16MP11	21.0	XAFC36D	High	700	22.20	15.80	16.00	10.00	22.20	14.20	7.50	6.05	3.12	2.28
				Intermediate	625	13.50	9.60		15.45						
				Low	625	9.00	8.50		27.50						
HMH72B241S	TM8E080C16MP11	21.0	XAFC36D	High	875	22.80	17.30	16.50	10.00	23.00	14.20	7.50	6.35	3.26	2.28
				Intermediate	700	13.70	10.40		15.75						
				Low	700	9.20	8.90		28.45						
HMH72B241S	TMLE080C16MP11	21.0	XAFC36D	High	875	22.80	17.30	16.50	10.00	23.00	14.20	7.50	6.35	3.26	2.28
				Intermediate	700	13.70	10.40		15.75						
				Low	700	9.20	8.90		28.45						
HMH72B241S	TM8E080C16MP11	21.0	XAFC36D	High	875	22.80	17.30	16.50	10.00	23.00	14.20	7.50	6.35	3.26	2.28
				Intermediate	700	13.70	10.40		15.75						
				Low	700	9.20	8.90		28.45						
HMH72B241S	TMLE080C16MP11	21.0	XAFC36D	High	875	22.80	17.30	16.50	10.00	23.00	14.20	7.50	6.35	3.26	2.28
				Intermediate	700	13.70	10.40		15.75						
				Low	700	9.20	8.90		28.45						
HMH72B241S	TM9Y080B12MP11	21.0	XAHC36D	High	750	21.80	15.90	15.50	9.50	22.20	14.00	7.50	6.15	3.08	2.24
				Intermediate	625	13.20	9.40		15.15						
				Low	625	8.50	7.60		25.65						

**Table 6: Furnace capacity - 2 ton**

Outdoor unit model	Furnace model	Furnace width (in.)	Indoor coil model	Stage	Rated CFM	Net cool (MBH)	Sens cool (MBH)	SEER2	EER2	Net47 (MBH)	Net17 (MBH)	HSPF2 IV	HSPF2 V	Cop47	Cop17
HMH72B241S	TM9Y080B12MP11	21.0	XAHC36D	High	750	21.80	15.90	15.50	9.50	22.20	14.00	7.50	6.15	3.08	2.24
				Intermediate	625	13.20	9.40		15.15						
				Low	625	8.50	7.60		25.65	2.30					
HMH72B241S	TM9E080C16MP12	21.0	XAHC36D	High	675	21.60	15.30	15.00	9.50	21.80	14.00	7.50	6.05	3.02	2.24
				Intermediate	575	13.00	8.80		15.05						
				Low	575	8.40	7.30		25.50	2.20					
HMH72B241S	TM9E080C16MP12	21.0	XAHC36D	High	675	21.60	15.30	15.00	9.50	21.80	14.00	7.50	6.05	3.02	2.24
				Intermediate	575	13.00	8.80		15.05						
				Low	575	8.40	7.30		25.50	2.20					
HMH72B241S	TM8Y060A12MP11	17.5	XAHB36D	High	750	21.80	15.80	15.50	9.50	22.20	14.00	7.50	6.40	3.06	2.22
				Intermediate	575	13.10	8.80		15.35						
				Low	575	8.50	7.40		26.90	2.20					
HMH72B241S	TM8Y060A12MP11	17.5	XAHB36D	High	750	21.80	15.80	15.50	9.50	22.20	14.00	7.50	6.40	3.06	2.22
				Intermediate	575	13.10	8.80		15.35						
				Low	575	8.50	7.40		26.90	2.20					
HMH72B241S	TM8E100B12MP11	17.5	XAHB36D	High	625	21.40	14.80	15.00	9.50	21.60	14.00	7.50	6.10	2.98	2.24
				Intermediate	550	13.00	8.60		14.90						
				Low	550	8.40	7.20		25.30	2.20					
HMH72B241S	TMLE100B12MP11	17.5	XAHB36D	High	625	21.40	14.80	15.00	9.50	21.60	14.00	7.50	6.10	2.98	2.24
				Intermediate	550	13.00	8.60		14.90						
				Low	550	8.40	7.20		25.30	2.20					
HMH72B241S	TM8E100B12MP11	17.5	XAHB36D	High	625	21.40	14.80	15.00	9.50	21.60	14.00	7.50	6.10	2.98	2.24
				Intermediate	550	13.00	8.60		14.90						
				Low	550	8.40	7.20		25.30	2.20					
HMH72B241S	TMLE100B12MP11	17.5	XAHB36D	High	625	21.40	14.80	15.00	9.50	21.60	14.00	7.50	6.10	2.98	2.24
				Intermediate	550	13.00	8.60		14.90						
				Low	550	8.40	7.20		25.30	2.20					
HMH72B241S	TM9Y080C16MP11	21.0	XAFC36D	High	775	22.40	16.50	17.00	10.00	22.40	14.20	7.50	6.05	3.16	2.28
				Intermediate	550	13.40	8.80		16.25						
				Low	550	9.00	8.00		32.10	2.30					
HMH72B241S	TM9Y080C16MP11	21.0	XAFC36D	High	775	22.40	16.50	17.00	10.00	22.40	14.20	7.50	6.05	3.16	2.28
				Intermediate	550	13.40	8.80		16.25						
				Low	550	9.00	8.00		32.10	2.30					
HMH72B241S	TM9E100C16MP12	21.0	XAFC36D	High	725	22.40	16.10	16.00	10.00	22.20	14.20	7.50	5.80	3.14	2.28
				Intermediate	625	13.40	9.60		15.35						
				Low	625	9.00	8.50		27.15	2.20					
HMH72B241S	TM9E100C16MP12	21.0	XAFC36D	High	725	22.40	16.10	16.00	10.00	22.20	14.20	7.50	5.80	3.14	2.28
				Intermediate	625	13.40	9.60		15.35						
				Low	625	9.00	8.50		27.15	2.20					
HMH72B241S	TM8Y100C16MP11	21.0	XAFC36D	High	750	22.40	16.20	16.50	10.00	22.40	14.20	7.50	6.35	3.16	2.30
				Intermediate	650	13.60	9.90		15.85						
				Low	650	9.10	8.60		29.20	2.20					
HMH72B241S	TM8Y100C16MP11	21.0	XAFC36D	High	750	22.40	16.20	16.50	10.00	22.40	14.20	7.50	6.35	3.16	2.30
				Intermediate	650	13.60	9.90		15.85						
				Low	650	9.10	8.60		29.20	2.20					
HMH72B241S	TL9E060B12UH11	17.5	XAHB36D	High	675	21.60	15.20	15.50	9.50	21.80	14.10	7.50	6.30	3.00	2.22
				Intermediate	550	13.00	8.60		15.10						
				Low	550	8.40	7.20		26.10	2.20					
HMH72B241S	TL9E060B12UH11	17.5	XAHB36D	High	675	21.60	15.20	15.50	9.50	21.80	14.10	7.50	6.30	3.00	2.22
				Intermediate	550	13.00	8.60		15.10						
				Low	550	8.40	7.20		26.10	2.20					

# Furnace capacity - 3 ton - 34k

**Table 7: Furnace capacity - 3 ton - 34k**

Outdoor unit model	Furnace model	Furnace width (in.)	Indoor coil model	Stage	Rated CFM	Net cool (MBH)	Sens cool (MBH)	SEER2	EER2	Net47 (MBH)	Net17 (MBH)	HSPF2 IV	HSPF2 V	Cop47	Cop17
HMH72B341S	TM9Y100C20MP11	21.0	XAHC36D	High	1325	34.00	26.00	15.50	9.50	39.50	25.60	8.50	6.60	3.32	2.46
				Intermediate	1050	22.80	15.70		15.25						
				Low	1050	16.60	16.10		24.15						
HMH72B341S	TM9Y100C16MP11	21.0	XAHC36D	High	1225	33.80	25.20	16.50	9.50	39.00	25.40	8.50	6.50	3.26	2.46
				Intermediate	900	22.20	14.00		15.80						
				Low	900	16.50	14.60		27.20						
HMH72B341S	TM9Y100C16MP11	21.0	XAHC30C	High	1100	32.20	23.60	17.50	9.50	38.00	25.60	8.50	6.55	3.20	2.52
				Intermediate	600	20.80	11.00		16.30						
				Low	600	15.20	11.20		30.45						
HMH72B341S	TM9Y100C16MP11	21.0	XAFC36D	High	1250	34.00	25.60	17.00	9.50	39.50	25.80	8.50	6.45	3.36	2.52
				Intermediate	900	22.80	14.50		16.20						
				Low	900	16.90	14.90		28.00						
HMH72B341S	TM9Y100C16MP11	21.0	XAFC30C	High	1100	32.80	24.00	18.00	10.00	39.00	26.00	8.50	6.05	3.26	2.56
				Intermediate	600	21.40	11.40		16.70						
				Low	600	15.50	11.50		31.20						
HMH72B341S	TM9Y080C16MP11	21.0	XAHC36D	High	1225	33.80	25.20	16.50	9.50	39.00	25.40	8.50	6.50	3.28	2.46
				Intermediate	900	22.20	14.00		15.70						
				Low	900	16.50	14.60		26.80						
HMH72B341S	TM9Y080C16MP11	21.0	XAHC30C	High	1250	32.40	24.60	17.50	9.50	39.00	26.20	8.50	6.60	3.26	2.52
				Intermediate	625	21.00	11.30		16.45						
				Low	625	15.30	11.50		30.80						
HMH72B341S	TM9Y080C16MP11	21.0	XAFC36D	High	1250	34.00	25.60	18.50	9.50	39.50	25.80	8.50	6.55	3.36	2.52
				Intermediate	625	21.60	11.40		16.70						
				Low	625	16.50	12.10		32.80						
HMH72B341S	TM9Y080C16MP11	21.0	XAFC30C	High	1275	33.20	25.40	18.00	9.50	40.00	26.80	8.50	6.45	3.34	2.58
				Intermediate	650	21.60	12.00		16.85						
				Low	650	15.70	12.00		31.75						
HMH72B341S	TM9Y080B12MP11	21.0	XAHC36D	High	1175	33.40	24.60	17.50	9.50	39.00	25.40	8.50	6.70	3.22	2.44
				Intermediate	700	21.40	11.80		16.15						
				Low	700	16.30	12.60		30.25						
HMH72B341S	TM9Y080B12MP11	21.0	XAHC30C	High	1175	32.00	23.80	17.00	9.00	39.00	26.20	8.50	6.70	3.18	2.48
				Intermediate	700	21.20	12.10		16.20						
				Low	700	15.50	12.40		29.35						
HMH72B341S	TM9Y080B12MP11	17.5	XAHB36D	High	1000	33.00	23.00	17.00	9.50	37.80	24.80	8.50	6.60	3.14	2.42
				Intermediate	650	21.20	11.40		15.85						
				Low	650	16.10	12.10		29.50						
HMH72B341S	TM9Y080B12MP11	17.5	XAHB30C	High	1175	32.00	23.80	17.00	9.00	39.00	26.20	8.50	6.70	3.18	2.48
				Intermediate	700	21.20	12.10		16.15						
				Low	700	15.50	12.40		29.25						
HMH72B341S	TM9Y080B12MP11	21.0	XAFC36D	High	1175	34.00	25.00	18.00	9.50	39.50	25.80	8.50	6.65	3.28	2.48
				Intermediate	700	22.00	12.30		16.50						
				Low	700	16.60	12.90		31.00						
HMH72B341S	TM9Y080B12MP11	21.0	XAFC30C	High	1200	32.80	24.60	17.50	9.50	40.00	26.80	8.50	6.65	3.26	2.54
				Intermediate	725	21.80	12.80		16.65						
				Low	725	15.90	12.90		30.30						
HMH72B341S	TM9Y080B12MP11	17.5	XAFB36D	High	1175	34.00	25.00	18.00	9.50	39.50	25.80	8.50	6.65	3.28	2.48
				Intermediate	700	22.00	12.30		16.50						
				Low	700	16.60	12.90		30.95						
HMH72B341S	TM9Y080B12MP11	17.5	XAUB36D	High	1175	34.00	25.00	18.00	9.50	39.50	25.80	8.50	6.65	3.28	2.48
				Intermediate	700	22.00	12.30		16.50						
				Low	700	16.60	12.90		30.95						
HMH72B341S	TM9Y080B12MP11	17.5	XAFB30C	High	1200	32.80	24.60	17.50	9.50	40.00	26.80	8.50	6.65	3.26	2.54
				Intermediate	725	21.80	12.80		16.65						
				Low	725	15.90	12.90		30.35						
HMH72B341S	TM9Y080B12MP11	17.5	XAUB30C	High	1200	32.80	24.60	17.50	9.50	40.00	26.80	8.50	6.65	3.26	2.54
				Intermediate	725	21.80	12.80		16.65						
				Low	725	15.90	12.90		30.35						
HMH72B341S	TM9Y060B12MP11	21.0	XAHC36D	High	1075	33.20	23.80	17.50	9.50	38.50	25.20	8.50	6.80	3.16	2.42
				Intermediate	675	21.40	11.70		15.95						
				Low	675	16.20	12.30		29.75						

**Table 7: Furnace capacity - 3 ton - 34k**

Outdoor unit model	Furnace model	Furnace width (in.)	Indoor coil model	Stage	Rated CFM	Net cool (MBH)	Sens cool (MBH)	SEER2	EER2	Net47 (MBH)	Net17 (MBH)	HSPF2 IV	HSPF2 V	Cop47	Cop17
HMH72B341S	TM9Y060B12MP11	21.0	XAHC30C	High	1100	31.80	23.20	17.00	9.00	38.50	26.00	8.50	6.70	3.14	2.46
				Intermediate	675	21.00	11.80		16.05						
				Low	675	15.40	12.10		28.80						
HMH72B341S	TM9Y060B12MP11	17.5	XAHB36D	High	1025	33.00	23.20	17.00	9.50	38.00	25.00	8.50	6.80	3.12	2.40
				Intermediate	650	21.20	11.40		15.80						
				Low	650	16.10	12.10		29.45						
HMH72B341S	TM9Y060B12MP11	17.5	XAHB30C	High	1075	31.80	23.00	17.00	9.00	38.50	26.00	8.50	6.70	3.12	2.46
				Intermediate	675	21.00	11.80		16.00						
				Low	675	15.40	12.10		28.70						
HMH72B341S	TM9Y060B12MP11	21.0	XAFC36D	High	1100	34.00	24.40	17.50	9.50	39.00	25.60	8.50	6.50	3.24	2.46
				Intermediate	675	21.80	12.00		16.30						
				Low	675	16.50	12.60		30.50						
HMH72B341S	TM9Y060B12MP11	21.0	XAFC30C	High	1125	32.60	24.00	17.50	9.50	39.50	26.60	8.50	6.65	3.22	2.52
				Intermediate	675	21.60	12.30		16.40						
				Low	675	15.70	12.40		29.55						
HMH72B341S	TM9Y060B12MP11	17.5	XAFB36D	High	1075	33.80	24.20	17.50	9.50	39.00	25.60	8.50	6.50	3.22	2.46
				Intermediate	675	21.80	12.00		16.30						
				Low	675	16.50	12.60		30.40						
HMH72B341S	TM9Y060B12MP11	17.5	XAUB36D	High	1075	33.80	24.20	17.50	9.50	39.00	25.60	8.50	6.50	3.22	2.46
				Intermediate	675	21.80	12.00		16.30						
				Low	675	16.50	12.60		30.40						
HMH72B341S	TM9Y060B12MP11	17.5	XAFB30C	High	1100	32.60	23.60	17.50	9.50	39.50	26.60	8.50	6.50	3.18	2.50
				Intermediate	675	21.60	12.30		16.40						
				Low	675	15.70	12.40		29.50						
HMH72B341S	TM9Y060B12MP11	17.5	XAUB30C	High	1100	32.60	23.60	17.50	9.50	39.50	26.60	8.50	6.50	3.18	2.50
				Intermediate	675	21.60	12.30		16.40						
				Low	675	15.70	12.40		29.50						
HMH72B341S	TM9V100C20MP12C	21.0	XAHC30C	High	1400	32.80	26.00	17.00	9.00	40.00	26.60	8.50	6.65	3.36	2.56
				Intermediate	825	21.80	13.60		16.20						
				Low	825	15.90	13.80		28.80						
HMH72B341S	TP9C100C20MP13C	21.0	XAHC30C	High	1400	32.80	26.00	17.00	9.00	40.00	26.60	8.50	6.65	3.36	2.56
				Intermediate	825	21.80	13.60		16.20						
				Low	825	15.90	13.80		28.80						
HMH72B341S	YP9C100C20MP13C	21.0	XAHC30C	High	1400	32.80	26.00	17.00	9.00	40.00	26.60	8.50	6.65	3.36	2.56
				Intermediate	825	21.80	13.60		16.20						
				Low	825	15.90	13.80		28.80						
HMH72B341S	TM9V100C20MP12C	21.0	XAFC36D	High	1400	34.00	26.40	17.50	9.50	40.50	26.00	8.50	6.35	3.46	2.56
				Intermediate	825	22.60	13.70		16.55						
				Low	825	16.90	14.20		30.00						
HMH72B341S	TP9C100C20MP13C	21.0	XAFC36D	High	1400	34.00	26.40	17.50	9.50	40.50	26.00	8.50	6.35	3.46	2.56
				Intermediate	825	22.60	13.70		16.55						
				Low	825	16.90	14.20		30.00						
HMH72B341S	YP9C100C20MP13C	21.0	XAFC36D	High	1400	34.00	26.40	17.50	9.50	40.50	26.00	8.50	6.35	3.46	2.56
				Intermediate	825	22.60	13.70		16.55						
				Low	825	16.90	14.20		30.00						
HMH72B341S	TM9V100C20MP12C	21.0	XAFC30C	High	1375	33.40	26.20	17.50	9.50	40.50	27.00	8.50	6.05	3.42	2.62
				Intermediate	825	22.20	13.90		16.60						
				Low	825	16.20	14.00		29.55						
HMH72B341S	TP9C100C20MP13C	21.0	XAFC30C	High	1375	33.40	26.20	17.50	9.50	40.50	27.00	8.50	6.05	3.42	2.62
				Intermediate	825	22.20	13.90		16.60						
				Low	825	16.20	14.00		29.55						
HMH72B341S	TM9V100C16MP12C	21.0	XAHC36D	High	1200	33.80	25.00	17.00	9.50	38.50	25.00	8.50	6.55	3.30	2.48
				Intermediate	800	21.80	12.90		15.95						
				Low	800	16.40	13.60		28.55						
HMH72B341S	TP9C100C16MP13C	21.0	XAHC36D	High	1200	33.80	25.00	17.00	9.50	38.50	25.00	8.50	6.55	3.30	2.48
				Intermediate	800	21.80	12.90		15.95						
				Low	800	16.40	13.60		28.55						

**Table 7: Furnace capacity - 3 ton - 34k**

Outdoor unit model	Furnace model	Furnace width (in.)	Indoor coil model	Stage	Rated CFM	Net cool (MBH)	Sens cool (MBH)	SEER2	EER2	Net47 (MBH)	Net17 (MBH)	HSPF2 IV	HSPF2 V	Cop47	Cop17
HMH72B341S	YP9C100C16MP13C	21.0	XAHC36D	High	1200	33.80	25.00	17.00	9.50	38.50	25.00	8.50	6.55	3.30	2.48
				Intermediate	800	21.80	12.90		15.95						
				Low	800	16.40	13.60		28.55	11.40					
HMH72B341S	TM9V100C16MP12C	21.0	XAHC30C	High	1200	32.40	24.40	17.00	9.50	38.50	25.80	8.50	6.45	3.28	2.54
				Intermediate	800	21.60	13.30		16.00						
				Low	800	15.80	13.50		28.10	11.30					
HMH72B341S	TP9C100C16MP13C	21.0	XAHC30C	High	1200	32.40	24.40	17.00	9.50	38.50	25.80	8.50	6.45	3.28	2.54
				Intermediate	800	21.60	13.30		16.00						
				Low	800	15.80	13.50		28.10	11.30					
HMH72B341S	YP9C100C16MP13C	21.0	XAHC30C	High	1200	32.40	24.40	17.00	9.50	38.50	25.80	8.50	6.45	3.28	2.54
				Intermediate	800	21.60	13.30		16.00						
				Low	800	15.80	13.50		28.10	11.30					
HMH72B341S	TM9V100C16MP12C	21.0	XAFC36D	High	1200	34.00	25.20	17.50	10.00	39.00	25.40	8.50	6.05	3.38	2.54
				Intermediate	800	22.40	13.40		16.35						
				Low	800	16.80	13.90		29.45	11.60					
HMH72B341S	TP9C100C16MP13C	21.0	XAFC36D	High	1200	34.00	25.20	17.50	10.00	39.00	25.40	8.50	6.05	3.38	2.54
				Intermediate	800	22.40	13.40		16.35						
				Low	800	16.80	13.90		29.45	11.60					
HMH72B341S	YP9C100C16MP13C	21.0	XAFC36D	High	1200	34.00	25.20	17.50	10.00	39.00	25.40	8.50	6.05	3.38	2.54
				Intermediate	800	22.40	13.40		16.35						
				Low	800	16.80	13.90		29.45	11.60					
HMH72B341S	TM9V100C16MP12C	21.0	XAFC30C	High	1200	33.20	25.00	17.50	10.00	39.50	26.40	8.50	6.15	3.34	2.60
				Intermediate	800	22.00	13.60		16.40						
				Low	800	16.10	13.80		29.00	11.50					
HMH72B341S	TP9C100C16MP13C	21.0	XAFC30C	High	1200	33.20	25.00	17.50	10.00	39.50	26.40	8.50	6.15	3.34	2.60
				Intermediate	800	22.00	13.60		16.40						
				Low	800	16.10	13.80		29.00	11.50					
HMH72B341S	YP9C100C16MP13C	21.0	XAFC30C	High	1200	33.20	25.00	17.50	10.00	39.50	26.40	8.50	6.15	3.34	2.60
				Intermediate	800	22.00	13.60		16.40						
				Low	800	16.10	13.80		29.00	11.50					
HMH72B341S	TM9V080C16MP12C	21.0	XAHC36D	High	1125	33.40	24.20	17.00	9.50	38.50	25.00	8.50	6.65	3.24	2.46
				Intermediate	750	21.60	12.40		15.80						
				Low	750	16.30	13.10		28.40	11.20					
HMH72B341S	TP9C080C16MP13C	21.0	XAHC36D	High	1125	33.40	24.20	17.00	9.50	38.50	25.00	8.50	6.65	3.24	2.46
				Intermediate	750	21.60	12.40		15.80						
				Low	750	16.30	13.10		28.40	11.20					
HMH72B341S	YP9C080C16MP13C	21.0	XAHC36D	High	1125	33.40	24.20	17.00	9.50	38.50	25.00	8.50	6.65	3.24	2.46
				Intermediate	750	21.60	12.40		15.80						
				Low	750	16.30	13.10		28.40	11.20					
HMH72B341S	TM9V080C16MP12C	21.0	XAHC30C	High	1125	32.20	23.80	16.50	9.50	38.50	25.80	8.50	6.55	3.20	2.52
				Intermediate	750	21.40	12.80		15.90						
				Low	750	15.60	12.90		27.85	11.20					
HMH72B341S	TP9C080C16MP13C	21.0	XAHC30C	High	1125	32.20	23.80	16.50	9.50	38.50	25.80	8.50	6.55	3.20	2.52
				Intermediate	750	21.40	12.80		15.90						
				Low	750	15.60	12.90		27.85	11.20					
HMH72B341S	YP9C080C16MP13C	21.0	XAHC30C	High	1125	32.20	23.80	16.50	9.50	38.50	25.80	8.50	6.55	3.20	2.52
				Intermediate	750	21.40	12.80		15.90						
				Low	750	15.60	12.90		27.85	11.20					
HMH72B341S	TM9V080C16MP12C	21.0	XAFC36D	High	1125	34.00	24.80	17.50	10.00	39.00	25.40	8.50	6.35	3.32	2.52
				Intermediate	750	22.00	12.70		16.20						
				Low	750	16.60	13.30		29.30	11.50					
HMH72B341S	TP9C080C16MP13C	21.0	XAFC36D	High	1125	34.00	24.80	17.50	10.00	39.00	25.40	8.50	6.35	3.32	2.52
				Intermediate	750	22.00	12.70		16.20						
				Low	750	16.60	13.30		29.30	11.50					
HMH72B341S	YP9C080C16MP13C	21.0	XAFC36D	High	1125	34.00	24.80	17.50	10.00	39.00	25.40	8.50	6.35	3.32	2.52
				Intermediate	750	22.00	12.70		16.20						
				Low	750	16.60	13.30		29.30	11.50					
HMH72B341S	TM9V080C16MP12C	21.0	XAFC30C	High	1125	32.80	24.20	17.00	9.50	39.00	26.20	8.50	6.05	3.28	2.56
				Intermediate	750	21.80	13.10		16.25						
				Low	750	15.90	13.20		28.65	11.40					



**Table 7: Furnace capacity - 3 ton - 34k**

Outdoor unit model	Furnace model	Furnace width (in.)	Indoor coil model	Stage	Rated CFM	Net cool (MBH)	Sens cool (MBH)	SEER2	EER2	Net47 (MBH)	Net17 (MBH)	HSPF2 IV	HSPF2 V	Cop47	Cop17
HMH72B341S	TP9C080C16MP13C	21.0	XAFC30C	High	1125	32.80	24.20	17.00	9.50	39.00	26.20	8.50	6.05	3.28	2.56
				Intermediate	750	21.80	13.10		16.25						
				Low	750	15.90	13.20		28.65						
HMH72B341S	YP9C080C16MP13C	21.0	XAFC30C	High	1125	32.80	24.20	17.00	9.50	39.00	26.20	8.50	6.05	3.28	2.56
				Intermediate	750	21.80	13.10		16.25						
				Low	750	15.90	13.20		28.65						
HMH72B341S	TM9V080B12MP12C	21.0	XAHC36D	High	1100	33.20	23.80	17.00	9.50	38.00	25.00	8.50	6.50	3.20	2.44
				Intermediate	750	21.60	12.40		15.75						
				Low	750	16.30	13.10		28.30						
HMH72B341S	TP9C080B12MP13C	21.0	XAHC36D	High	1100	33.20	23.80	17.00	9.50	38.00	25.00	8.50	6.50	3.20	2.44
				Intermediate	750	21.60	12.40		15.75						
				Low	750	16.30	13.10		28.30						
HMH72B341S	YP9C080B12MP13C	21.0	XAHC36D	High	1100	33.20	23.80	17.00	9.50	38.00	25.00	8.50	6.50	3.20	2.44
				Intermediate	750	21.60	12.40		15.75						
				Low	750	16.30	13.10		28.30						
HMH72B341S	TM9V080B12MP12C	21.0	XAHC30C	High	1200	32.00	24.00	16.50	9.00	39.00	26.20	8.50	6.60	3.22	2.50
				Intermediate	800	21.60	13.30		15.85						
				Low	800	15.70	13.50		27.50						
HMH72B341S	TP9C080B12MP13C	21.0	XAHC30C	High	1200	32.00	24.00	16.50	9.00	39.00	26.20	8.50	6.60	3.22	2.50
				Intermediate	800	21.60	13.30		15.85						
				Low	800	15.70	13.50		27.50						
HMH72B341S	YP9C080B12MP13C	21.0	XAHC30C	High	1200	32.00	24.00	16.50	9.00	39.00	26.20	8.50	6.60	3.22	2.50
				Intermediate	800	21.60	13.30		15.85						
				Low	800	15.70	13.50		27.50						
HMH72B341S	TM9V080B12MP12C	17.5	XAHB36D	High	1100	33.20	23.80	16.50	9.50	38.50	25.20	8.50	6.70	3.18	2.42
				Intermediate	750	21.60	12.50		15.60						
				Low	750	16.20	13.10		27.65						
HMH72B341S	TP9C080B12MP13C	17.5	XAHB36D	High	1100	33.20	23.80	16.50	9.50	38.50	25.20	8.50	6.70	3.18	2.42
				Intermediate	750	21.60	12.50		15.60						
				Low	750	16.20	13.10		27.65						
HMH72B341S	YP9C080B12MP13C	17.5	XAHB36D	High	1100	33.20	23.80	16.50	9.50	38.50	25.20	8.50	6.70	3.18	2.42
				Intermediate	750	21.60	12.50		15.60						
				Low	750	16.20	13.10		27.65						
HMH72B341S	TM9V080B12MP12C	17.5	XAHB30C	High	1200	32.00	24.00	16.50	9.00	39.00	26.20	8.50	6.70	3.20	2.48
				Intermediate	800	21.60	13.40		15.75						
				Low	800	15.70	13.50		27.15						
HMH72B341S	TP9C080B12MP13C	17.5	XAHB30C	High	1200	32.00	24.00	16.50	9.00	39.00	26.20	8.50	6.70	3.20	2.48
				Intermediate	800	21.60	13.40		15.75						
				Low	800	15.70	13.50		27.15						
HMH72B341S	YP9C080B12MP13C	17.5	XAHB30C	High	1200	32.00	24.00	16.50	9.00	39.00	26.20	8.50	6.70	3.20	2.48
				Intermediate	800	21.60	13.40		15.75						
				Low	800	15.70	13.50		27.15						
HMH72B341S	TM9V080B12MP12C	21.0	XAFC36D	High	1200	34.00	25.20	17.00	9.50	39.50	25.80	8.50	6.55	3.32	2.50
				Intermediate	800	22.40	13.40		16.20						
				Low	800	16.70	13.90		28.85						
HMH72B341S	TP9C080B12MP13C	21.0	XAFC36D	High	1200	34.00	25.20	17.00	9.50	39.50	25.80	8.50	6.55	3.32	2.50
				Intermediate	800	22.40	13.40		16.20						
				Low	800	16.70	13.90		28.85						
HMH72B341S	YP9C080B12MP13C	21.0	XAFC36D	High	1200	34.00	25.20	17.00	9.50	39.50	25.80	8.50	6.55	3.32	2.50
				Intermediate	800	22.40	13.40		16.20						
				Low	800	16.70	13.90		28.85						
HMH72B341S	TM9V080B12MP12C	21.0	XAFC30C	High	1200	32.80	24.60	17.00	9.50	39.50	26.60	8.50	6.45	3.28	2.56
				Intermediate	800	22.00	13.60		16.30						
				Low	800	16.10	13.80		28.45						
HMH72B341S	TP9C080B12MP13C	21.0	XAFC30C	High	1200	32.80	24.60	17.00	9.50	39.50	26.60	8.50	6.45	3.28	2.56
				Intermediate	800	22.00	13.60		16.30						
				Low	800	16.10	13.80		28.45						
HMH72B341S	YP9C080B12MP13C	21.0	XAFC30C	High	1200	32.80	24.60	17.00	9.50	39.50	26.60	8.50	6.45	3.28	2.56
				Intermediate	800	22.00	13.60		16.30						
				Low	800	16.10	13.80		28.45						

**Table 7: Furnace capacity - 3 ton - 34k**

Outdoor unit model	Furnace model	Furnace width (in.)	Indoor coil model	Stage	Rated CFM	Net cool (MBH)	Sens cool (MBH)	SEER2	EER2	Net47 (MBH)	Net17 (MBH)	HSPF2 IV	HSPF2 V	Cop47	Cop17
HMH72B341S	TM9V080B12MP12C	17.5	XAFB36D	High	1200	34.00	25.20	17.00	9.50	39.50	25.80	8.50	6.55	3.30	2.48
				Intermediate	800	22.40	13.40		16.15						
				Low	800	16.70	13.90		28.60						
HMH72B341S	TM9V080B12MP12C	17.5	XAUB36D	High	1200	34.00	25.20	17.00	9.50	39.50	25.80	8.50	6.55	3.30	2.48
				Intermediate	800	22.40	13.40		16.15						
				Low	800	16.70	13.90		28.60						
HMH72B341S	TP9C080B12MP13C	17.5	XAFB36D	High	1200	34.00	25.20	17.00	9.50	39.50	25.80	8.50	6.55	3.30	2.48
				Intermediate	800	22.40	13.40		16.15						
				Low	800	16.70	13.90		28.60						
HMH72B341S	TP9C080B12MP13C	17.5	XAUB36D	High	1200	34.00	25.20	17.00	9.50	39.50	25.80	8.50	6.55	3.30	2.48
				Intermediate	800	22.40	13.40		16.15						
				Low	800	16.70	13.90		28.60						
HMH72B341S	YP9C080B12MP13C	17.5	XAFB36D	High	1200	34.00	25.20	17.00	9.50	39.50	25.80	8.50	6.55	3.30	2.48
				Intermediate	800	22.40	13.40		16.15						
				Low	800	16.70	13.90		28.60						
HMH72B341S	YP9C080B12MP13C	17.5	XAUB36D	High	1200	34.00	25.20	17.00	9.50	39.50	25.80	8.50	6.55	3.30	2.48
				Intermediate	800	22.40	13.40		16.15						
				Low	800	16.70	13.90		28.60						
HMH72B341S	TM9V080B12MP12C	17.5	XAFB30C	High	1200	32.80	24.60	17.00	9.50	39.50	26.60	8.50	6.45	3.28	2.54
				Intermediate	800	22.00	13.60		16.25						
				Low	800	16.10	13.80		28.35						
HMH72B341S	TP9C080B12MP13C	17.5	XAFB30C	High	1200	32.80	24.60	17.00	9.50	39.50	26.60	8.50	6.45	3.28	2.54
				Intermediate	800	22.00	13.60		16.25						
				Low	800	16.10	13.80		28.35						
HMH72B341S	YP9C080B12MP13C	17.5	XAFB30C	High	1200	32.80	24.60	17.00	9.50	39.50	26.60	8.50	6.45	3.28	2.54
				Intermediate	800	22.00	13.60		16.25						
				Low	800	16.10	13.80		28.35						
HMH72B341S	TM9V080B12MP12C	17.5	XAUB30C	High	1200	32.80	24.60	17.00	9.50	39.50	26.60	8.50	6.45	3.28	2.54
				Intermediate	800	22.00	13.60		16.25						
				Low	800	16.10	13.80		28.35						
HMH72B341S	TP9C080B12MP13C	17.5	XAUB30C	High	1200	32.80	24.60	17.00	9.50	39.50	26.60	8.50	6.45	3.28	2.54
				Intermediate	800	22.00	13.60		16.25						
				Low	800	16.10	13.80		28.35						
HMH72B341S	YP9C080B12MP13C	17.5	XAUB30C	High	1200	32.80	24.60	17.00	9.50	39.50	26.60	8.50	6.45	3.28	2.54
				Intermediate	800	22.00	13.60		16.25						
				Low	800	16.10	13.80		28.35						
HMH72B341S	TM9V060B12MP12C	21.0	XAHC36D	High	1125	33.20	24.00	17.00	9.50	38.50	25.20	8.50	6.70	3.20	2.42
				Intermediate	700	21.40	11.90		15.75						
				Low	700	16.20	12.60		28.60						
HMH72B341S	TP9C060B12MP13C	21.0	XAHC36D	High	1125	33.20	24.00	17.00	9.50	38.50	25.20	8.50	6.70	3.20	2.42
				Intermediate	700	21.40	11.90		15.75						
				Low	700	16.20	12.60		28.60						
HMH72B341S	YP9C060B12MP13C	21.0	XAHC36D	High	1125	33.20	24.00	17.00	9.50	38.50	25.20	8.50	6.70	3.20	2.42
				Intermediate	700	21.40	11.90		15.75						
				Low	700	16.20	12.60		28.60						
HMH72B341S	TM9V060B12MP12C	21.0	XAHC30C	High	1125	31.80	23.40	16.50	9.00	38.50	26.00	8.50	6.70	3.16	2.48
				Intermediate	700	21.20	12.20		15.80						
				Low	700	15.40	12.40		27.70						
HMH72B341S	TP9C060B12MP13C	21.0	XAHC30C	High	1125	31.80	23.40	16.50	9.00	38.50	26.00	8.50	6.70	3.16	2.48
				Intermediate	700	21.20	12.20		15.80						
				Low	700	15.40	12.40		27.70						
HMH72B341S	YP9C060B12MP13C	21.0	XAHC30C	High	1125	31.80	23.40	16.50	9.00	38.50	26.00	8.50	6.70	3.16	2.48
				Intermediate	700	21.20	12.20		15.80						
				Low	700	15.40	12.40		27.70						
HMH72B341S	TM9V060B12MP12C	17.5	XAHB36D	High	1025	32.80	23.00	17.00	9.50	38.00	25.00	8.50	6.70	3.14	2.42
				Intermediate	650	21.20	11.40		15.60						
				Low	650	16.10	12.10		28.50						
HMH72B341S	TP9C060B12MP13C	17.5	XAHB36D	High	1025	32.80	23.00	17.00	9.50	38.00	25.00	8.50	6.70	3.14	2.42
				Intermediate	650	21.20	11.40		15.60						
				Low	650	16.10	12.10		28.50						

**Table 7: Furnace capacity - 3 ton - 34k**

Outdoor unit model	Furnace model	Furnace width (in.)	Indoor coil model	Stage	Rated CFM	Net cool (MBH)	Sens cool (MBH)	SEER2	EER2	Net47 (MBH)	Net17 (MBH)	HSPF2 IV	HSPF2 V	Cop47	Cop17
HMH72B341S	YP9C060B12MP13C	17.5	XAHB36D	High	1025	32.80	23.00	17.00	9.50	38.00	25.00	8.50	6.70	3.14	2.42
				Intermediate	650	21.20	11.40		15.60						
				Low	650	16.10	12.10		28.50						
HMH72B341S	TM9V060B12MP12C	17.5	XAHB30C	High	1025	31.60	22.60	16.50	9.00	38.00	25.60	8.50	6.60	3.10	2.46
				Intermediate	650	21.00	11.70		15.80						
				Low	650	15.30	11.90		27.95						
HMH72B341S	TP9C060B12MP13C	17.5	XAHB30C	High	1025	31.60	22.60	16.50	9.00	38.00	25.60	8.50	6.60	3.10	2.46
				Intermediate	650	21.00	11.70		15.80						
				Low	650	15.30	11.90		27.95						
HMH72B341S	YP9C060B12MP13C	17.5	XAHB30C	High	1025	31.60	22.60	16.50	9.00	38.00	25.60	8.50	6.60	3.10	2.46
				Intermediate	650	21.00	11.70		15.80						
				Low	650	15.30	11.90		27.95						
HMH72B341S	TM9V060B12MP12C	21.0	XAFC36D	High	1125	34.00	24.60	17.50	9.50	39.00	25.60	8.50	6.65	3.26	2.48
				Intermediate	700	21.80	12.20		16.10						
				Low	700	16.50	12.80		29.40						
HMH72B341S	TP9C060B12MP13C	21.0	XAFC36D	High	1125	34.00	24.60	17.50	9.50	39.00	25.60	8.50	6.65	3.26	2.48
				Intermediate	700	21.80	12.20		16.10						
				Low	700	16.50	12.80		29.40						
HMH72B341S	YP9C060B12MP13C	21.0	XAFC36D	High	1125	34.00	24.60	17.50	9.50	39.00	25.60	8.50	6.65	3.26	2.48
				Intermediate	700	21.80	12.20		16.10						
				Low	700	16.50	12.80		29.40						
HMH72B341S	TM9V060B12MP12C	21.0	XAFC30C	High	1125	32.60	24.00	17.00	9.50	39.50	26.40	8.50	6.55	3.22	2.52
				Intermediate	700	21.60	12.50		16.15						
				Low	700	15.70	12.60		28.55						
HMH72B341S	TP9C060B12MP13C	21.0	XAFC30C	High	1125	32.60	24.00	17.00	9.50	39.50	26.40	8.50	6.55	3.22	2.52
				Intermediate	700	21.60	12.50		16.15						
				Low	700	15.70	12.60		28.55						
HMH72B341S	YP9C060B12MP13C	21.0	XAFC30C	High	1125	32.60	24.00	17.00	9.50	39.50	26.40	8.50	6.55	3.22	2.52
				Intermediate	700	21.60	12.50		16.15						
				Low	700	15.70	12.60		28.55						
HMH72B341S	TM9V060B12MP12C	17.5	XAFB36D	High	1125	33.80	24.40	17.00	9.50	39.50	25.60	8.50	6.65	3.24	2.48
				Intermediate	700	21.80	12.20		16.05						
				Low	700	16.50	12.90		29.05						
HMH72B341S	TM9V060B12MP12C	17.5	XAUB36D	High	1125	33.80	24.40	17.00	9.50	39.50	25.60	8.50	6.65	3.24	2.48
				Intermediate	700	21.80	12.20		16.05						
				Low	700	16.50	12.90		29.05						
HMH72B341S	TP9C060B12MP13C	17.5	XAFB36D	High	1125	33.80	24.40	17.00	9.50	39.50	25.60	8.50	6.65	3.24	2.48
				Intermediate	700	21.80	12.20		16.05						
				Low	700	16.50	12.90		29.05						
HMH72B341S	TP9C060B12MP13C	17.5	XAUB36D	High	1125	33.80	24.40	17.00	9.50	39.50	25.60	8.50	6.65	3.24	2.48
				Intermediate	700	21.80	12.20		16.05						
				Low	700	16.50	12.90		29.05						
HMH72B341S	YP9C060B12MP13C	17.5	XAFB36D	High	1125	33.80	24.40	17.00	9.50	39.50	25.60	8.50	6.65	3.24	2.48
				Intermediate	700	21.80	12.20		16.05						
				Low	700	16.50	12.90		29.05						
HMH72B341S	YP9C060B12MP13C	17.5	XAUB36D	High	1125	33.80	24.40	17.00	9.50	39.50	25.60	8.50	6.65	3.24	2.48
				Intermediate	700	21.80	12.20		16.05						
				Low	700	16.50	12.90		29.05						
HMH72B341S	TM9V060B12MP12C	17.5	XAFB30C	High	1125	32.60	24.00	17.00	9.50	39.50	26.40	8.50	6.55	3.22	2.52
				Intermediate	700	21.60	12.50		16.20						
				Low	700	15.70	12.60		28.60						
HMH72B341S	TP9C060B12MP13C	17.5	XAFB30C	High	1125	32.60	24.00	17.00	9.50	39.50	26.40	8.50	6.55	3.22	2.52
				Intermediate	700	21.60	12.50		16.20						
				Low	700	15.70	12.60		28.60						
HMH72B341S	YP9C060B12MP13C	17.5	XAFB30C	High	1125	32.60	24.00	17.00	9.50	39.50	26.40	8.50	6.55	3.22	2.52
				Intermediate	700	21.60	12.50		16.20						
				Low	700	15.70	12.60		28.60						
HMH72B341S	TM9V060B12MP12C	17.5	XAUB30C	High	1125	32.60	24.00	17.00	9.50	39.50	26.40	8.50	6.55	3.22	2.52
				Intermediate	700	21.60	12.50		16.20						
				Low	700	15.70	12.60		28.60						

**Table 7: Furnace capacity - 3 ton - 34k**

Outdoor unit model	Furnace model	Furnace width (in.)	Indoor coil model	Stage	Rated CFM	Net cool (MBH)	Sens cool (MBH)	SEER2	EER2	Net47 (MBH)	Net17 (MBH)	HSPF2 IV	HSPF2 V	Cop47	Cop17
HMH72B341S	TP9C060B12MP13C	17.5	XAUB30C	High	1125	32.60	24.00	17.00	9.50	39.50	26.40	8.50	6.55	3.22	2.52
				Intermediate	700	21.60	12.50		16.20						
				Low	700	15.70	12.60		28.60	11.20					
HMH72B341S	YP9C060B12MP13C	17.5	XAUB30C	High	1125	32.60	24.00	17.00	9.50	39.50	26.40	8.50	6.55	3.22	2.52
				Intermediate	700	21.60	12.50		16.20						
				Low	700	15.70	12.60		28.60	11.20					
HMH72B341S	TM9V040A10MP12C	17.5	XAHB36D	High	900	32.40	21.80	16.50	9.50	37.40	24.80	8.50	6.80	3.06	2.40
				Intermediate	575	20.80	10.60		15.30						
				Low	575	15.90	11.40		28.00	10.80					
HMH72B341S	TM9V040A10MP12C	17.5	XAHB30C	High	900	31.40	21.60	16.00	9.50	37.20	25.20	8.50	6.70	3.02	2.42
				Intermediate	575	20.60	10.80		15.50						
				Low	575	14.90	10.90		27.20	10.70					
HMH72B341S	TM9V040A10MP12C	17.5	XAFB36D	High	900	33.20	22.40	17.00	9.50	38.00	25.20	8.50	6.65	3.14	2.46
				Intermediate	575	21.20	10.90		15.70						
				Low	575	16.20	11.60		29.00	11.00					
HMH72B341S	TM9V040A10MP12C	17.5	XAUB36D	High	900	33.20	22.40	17.00	9.50	38.00	25.20	8.50	6.65	3.14	2.46
				Intermediate	575	21.20	10.90		15.70						
				Low	575	16.20	11.60		29.00	11.00					
HMH72B341S	TM9V040A10MP12C	17.5	XAFB30C	High	900	32.00	22.00	16.50	9.50	38.00	25.80	8.50	6.55	3.10	2.48
				Intermediate	575	21.00	11.00		15.90						
				Low	575	15.30	11.20		28.15	10.90					
HMH72B341S	TM9V040A10MP12C	17.5	XAUB30C	High	900	32.00	22.00	16.50	9.50	38.00	25.80	8.50	6.55	3.10	2.48
				Intermediate	575	21.00	11.00		15.90						
				Low	575	15.30	11.20		28.15	10.90					
HMH72B341S	TM9E100C20MP12	21.0	XAHC36D	High	1200	34.00	25.20	15.50	10.00	38.50	25.00	8.50	6.45	3.32	2.50
				Intermediate	1050	22.80	15.70		15.35						
				Low	1050	16.70	16.10		24.60	12.40					
HMH72B341S	TM9E100C16MP12	21.0	XAHC36D	High	1100	33.60	24.20	17.50	10.00	38.00	24.80	8.50	6.55	3.24	2.48
				Intermediate	725	21.60	12.20		16.10						
				Low	725	16.30	12.80		29.95	11.10					
HMH72B341S	TM9E100C16MP12	21.0	XAHC30C	High	1125	32.20	23.80	17.50	9.50	38.00	25.60	8.50	6.45	3.22	2.52
				Intermediate	750	21.40	12.70		16.25						
				Low	750	15.70	13.00		29.30	11.10					
HMH72B341S	TM9E100C16MP12	21.0	XAFB36D	High	1100	34.00	24.60	18.00	10.00	39.00	25.20	8.50	6.05	3.30	2.52
				Intermediate	725	22.00	12.50		16.45						
				Low	725	16.70	13.20		30.70	11.30					
HMH72B341S	TM9E100C16MP12	21.0	XAFB30C	High	1125	33.00	24.40	17.50	10.00	39.00	26.20	8.50	6.15	3.28	2.58
				Intermediate	750	21.80	13.00		16.60						
				Low	750	16.00	13.20		30.05	11.30					
HMH72B341S	TM9E080C16MP12	21.0	XAHC36D	High	1350	34.00	26.20	17.50	9.50	39.50	25.60	8.50	6.60	3.34	2.48
				Intermediate	725	21.60	12.10		16.35						
				Low	725	16.40	12.90		30.95	11.10					
HMH72B341S	TM9E080C16MP12	21.0	XAHC30C	High	1400	32.80	26.00	17.50	9.00	40.00	26.80	8.50	6.60	3.34	2.54
				Intermediate	750	21.40	12.60		16.50						
				Low	750	15.70	12.90		30.25	11.10					
HMH72B341S	TM9E080C16MP12	21.0	XAFB36D	High	1100	34.00	24.60	18.00	10.00	39.00	25.20	8.50	6.35	3.30	2.52
				Intermediate	700	22.00	12.30		16.55						
				Low	700	16.60	12.80		31.15	11.20					
HMH72B341S	TM9E080C16MP12	21.0	XAFB30C	High	1125	33.00	24.40	18.00	10.00	39.00	26.20	8.50	6.15	3.28	2.58
				Intermediate	725	21.80	12.80		16.65						
				Low	725	15.90	12.90		30.40	11.20					
HMH72B341S	TM9E080B12MP12	21.0	XAHC36D	High	1100	33.40	24.00	17.00	9.50	38.50	25.00	8.50	6.50	3.20	2.44
				Intermediate	750	21.60	12.40		15.90						
				Low	750	16.30	13.10		28.80	11.30					
HMH72B341S	TM9E080B12MP12	21.0	XAHC30C	High	1200	32.00	24.00	17.00	9.00	39.00	26.20	8.50	6.60	3.20	2.50
				Intermediate	775	21.40	12.90		16.05						
				Low	775	15.70	13.20		28.35	11.20					
HMH72B341S	TM9E080B12MP12	17.5	XAHB36D	High	1075	33.20	23.80	17.00	9.50	38.00	25.00	8.50	6.60	3.18	2.44
				Intermediate	725	21.60	12.30		15.75						
				Low	725	16.20	12.80		28.40	11.20					

**Table 7: Furnace capacity - 3 ton - 34k**

Outdoor unit model	Furnace model	Furnace width (in.)	Indoor coil model	Stage	Rated CFM	Net cool (MBH)	Sens cool (MBH)	SEER2	EER2	Net47 (MBH)	Net17 (MBH)	HSPF2 IV	HSPF2 V	Cop47	Cop17
HMH72B341S	TM9E080B12MP12	17.5	XAHB30C	High	1100	32.00	23.40	16.50	9.50	38.50	25.80	8.50	6.50	3.16	2.48
				Intermediate	750	21.40	12.80		15.90						
				Low	750	15.60	12.90		27.85						
HMH72B341S	TM9E080B12MP12	21.0	XAFC36D	High	1200	34.00	25.20	17.50	9.50	39.50	25.80	8.50	6.65	3.30	2.50
				Intermediate	775	22.20	13.00		16.40						
				Low	775	16.70	13.60		29.80						
HMH72B341S	TM9E080B12MP12	21.0	XAFC30C	High	1125	32.80	24.20	17.50	9.50	39.00	26.40	8.50	6.35	3.26	2.54
				Intermediate	775	22.00	13.40		16.35						
				Low	775	16.00	13.50		28.90						
HMH72B341S	TM9E080B12MP12	17.5	XAFB36D	High	1100	34.00	24.40	17.50	10.00	39.00	25.40	8.50	6.55	3.26	2.50
				Intermediate	750	22.20	12.90		16.20						
				Low	750	16.60	13.30		29.40						
HMH72B341S	TM9E080B12MP12	17.5	XAUB36D	High	1100	34.00	24.40	17.50	10.00	39.00	25.40	8.50	6.55	3.26	2.50
				Intermediate	750	22.20	12.90		16.20						
				Low	750	16.60	13.30		29.40						
HMH72B341S	TM9E080B12MP12	17.5	XAFB30C	High	1225	32.80	24.80	17.50	9.50	40.00	26.80	8.50	6.55	3.30	2.56
				Intermediate	775	22.00	13.40		16.40						
				Low	775	16.00	13.50		29.05						
HMH72B341S	TM9E080B12MP12	17.5	XAUB30C	High	1225	32.80	24.80	17.50	9.50	40.00	26.80	8.50	6.55	3.30	2.56
				Intermediate	775	22.00	13.40		16.40						
				Low	775	16.00	13.50		29.05						
HMH72B341S	TM9E060B12MP12	21.0	XAHC36D	High	1125	33.40	24.20	17.00	9.50	38.50	25.20	8.50	6.80	3.18	2.42
				Intermediate	700	21.40	11.90		15.75						
				Low	700	16.20	12.60		28.70						
HMH72B341S	TM9E060B12MP12	21.0	XAHC30C	High	1150	32.00	23.60	16.50	9.00	38.50	26.20	8.50	6.70	3.16	2.48
				Intermediate	725	21.20	12.40		15.90						
				Low	725	15.50	12.60		28.00						
HMH72B341S	TM9E060B12MP12	17.5	XAHB36D	High	1075	33.20	23.80	17.00	9.50	38.50	25.20	8.50	6.80	3.16	2.42
				Intermediate	700	21.40	11.90		15.70						
				Low	700	16.20	12.60		28.40						
HMH72B341S	TM9E060B12MP12	17.5	XAHB30C	High	1125	32.00	23.60	16.50	9.00	38.50	26.00	8.50	6.70	3.14	2.46
				Intermediate	725	21.20	12.40		15.85						
				Low	725	15.50	12.70		27.90						
HMH72B341S	TM9E060B12MP12	21.0	XAFC36D	High	1125	34.00	24.60	17.50	9.50	39.50	25.80	8.50	6.50	3.24	2.46
				Intermediate	725	22.00	12.50		16.20						
				Low	725	16.60	13.10		29.50						
HMH72B341S	TM9E060B12MP12	21.0	XAFC30C	High	1125	32.60	24.00	17.00	9.50	39.50	26.40	8.50	6.55	3.22	2.52
				Intermediate	725	21.60	12.70		16.20						
				Low	725	15.80	12.90		28.60						
HMH72B341S	TM9E060B12MP12	17.5	XAFB36D	High	1125	34.00	24.60	17.50	9.50	39.50	25.80	8.50	6.50	3.24	2.46
				Intermediate	725	22.00	12.50		16.20						
				Low	725	16.60	13.10		29.45						
HMH72B341S	TM9E060B12MP12	17.5	XAUB36D	High	1125	34.00	24.60	17.50	9.50	39.50	25.80	8.50	6.50	3.24	2.46
				Intermediate	725	22.00	12.50		16.20						
				Low	725	16.60	13.10		29.45						
HMH72B341S	TM9E060B12MP12	17.5	XAFB30C	High	1125	32.60	24.00	17.00	9.50	39.50	26.40	8.50	6.55	3.22	2.52
				Intermediate	725	21.80	12.90		16.25						
				Low	725	15.80	12.90		28.65						
HMH72B341S	TM9E060B12MP12	17.5	XAUB30C	High	1125	32.60	24.00	17.00	9.50	39.50	26.40	8.50	6.55	3.22	2.52
				Intermediate	725	21.80	12.90		16.25						
				Low	725	15.80	12.90		28.65						
HMH72B341S	TM9E060A10MP12	17.5	XAHB36D	High	900	32.60	22.00	17.00	9.50	37.40	24.60	8.50	6.70	3.08	2.42
				Intermediate	625	21.00	11.10		15.50						
				Low	625	16.00	11.80		28.35						
HMH72B341S	TM9E060A10MP12	17.5	XAHB30C	High	1025	31.60	22.60	16.50	9.00	38.00	25.80	8.50	6.70	3.10	2.46
				Intermediate	675	21.00	11.80		15.80						
				Low	675	15.30	12.10		27.95						
HMH72B341S	TM9E060A10MP12	17.5	XAFB36D	High	1025	33.60	23.60	17.50	9.50	39.00	25.40	8.50	6.65	3.20	2.46
				Intermediate	675	21.80	12.00		16.10						
				Low	675	16.50	12.60		29.60						

**Table 7: Furnace capacity - 3 ton - 34k**

Outdoor unit model	Furnace model	Furnace width (in.)	Indoor coil model	Stage	Rated CFM	Net cool (MBH)	Sens cool (MBH)	SEER2	EER2	Net47 (MBH)	Net17 (MBH)	HSPF2 IV	HSPF2 V	Cop47	Cop17
HMH72B341S	TM9E060A10MP12	17.5	XAUB36D	High	1025	33.60	23.60	17.50	9.50	39.00	25.40	8.50	6.65	3.20	2.46
				Intermediate	675	21.80	12.00		16.10						
				Low	675	16.50	12.60		29.60	11.30					
HMH72B341S	TM9E060A10MP12	17.5	XAFB30C	High	1050	32.40	23.20	17.00	9.50	39.00	26.20	8.50	6.55	3.18	2.52
				Intermediate	675	21.40	12.10		16.20						
				Low	675	15.70	12.40		28.70	11.20					
HMH72B341S	TM9E060A10MP12	17.5	XAUB30C	High	1050	32.40	23.20	17.00	9.50	39.00	26.20	8.50	6.55	3.18	2.52
				Intermediate	675	21.40	12.10		16.20						
				Low	675	15.70	12.40		28.70	11.20					
HMH72B341S	TM9E040A10MP12	17.5	XAFB30C	High	925	32.20	22.40	17.00	9.50	38.00	25.80	8.50	6.65	3.10	2.48
				Intermediate	625	21.20	11.60		16.10						
				Low	625	15.50	11.80		28.65	11.10					
HMH72B341S	TM9E040A10MP12	17.5	XAUB30C	High	925	32.20	22.40	17.00	9.50	38.00	25.80	8.50	6.65	3.10	2.48
				Intermediate	625	21.20	11.60		16.10						
				Low	625	15.50	11.80		28.65	11.10					
HMH72B341S	TM8Y120C20MP11	21.0	XAHC36D	High	1325	34.00	26.00	17.00	9.50	39.00	25.40	8.50	6.55	3.36	2.50
				Intermediate	925	22.60	14.40		16.25						
				Low	925	16.70	14.90		28.70	11.80					
HMH72B341S	TM8Y100C20MP11	21.0	XAHC36D	High	1325	34.00	26.00	17.00	9.50	39.00	25.40	8.50	6.55	3.36	2.50
				Intermediate	925	22.60	14.40		16.25						
				Low	925	16.70	14.90		28.70	11.80					
HMH72B341S	TM8Y120C20MP11	21.0	XAHC30C	High	1375	32.80	25.80	17.00	9.50	39.50	26.40	8.50	6.45	3.38	2.58
				Intermediate	950	22.20	14.90		16.30						
				Low	950	16.30	15.20		28.40	11.70					
HMH72B341S	TM8Y100C20MP11	21.0	XAHC30C	High	1375	32.80	25.80	17.00	9.50	39.50	26.40	8.50	6.45	3.38	2.58
				Intermediate	950	22.20	14.90		16.30						
				Low	950	16.30	15.20		28.40	11.70					
HMH72B341S	TM8Y120C20MP11	21.0	XAF36D	High	1175	34.00	25.20	17.50	10.00	39.00	25.20	8.50	6.00	3.38	2.56
				Intermediate	925	23.00	14.80		16.50						
				Low	925	17.00	15.10		29.00	12.00					
HMH72B341S	TM8Y100C20MP11	21.0	XAF36D	High	1175	34.00	25.20	17.50	10.00	39.00	25.20	8.50	6.00	3.38	2.56
				Intermediate	925	23.00	14.80		16.50						
				Low	925	17.00	15.10		29.00	12.00					
HMH72B341S	TM8Y120C20MP11	21.0	XAF30C	High	1375	33.60	26.40	18.00	9.50	40.50	27.00	8.50	6.00	3.44	2.64
				Intermediate	975	22.80	15.60		16.75						
				Low	975	16.80	15.80		29.30	12.00					
HMH72B341S	TM8Y100C20MP11	21.0	XAF30C	High	1375	33.60	26.40	18.00	9.50	40.50	27.00	8.50	6.00	3.44	2.64
				Intermediate	975	22.80	15.60		16.75						
				Low	975	16.80	15.80		29.30	12.00					
HMH72B341S	TM8Y100C16MP11	21.0	XAHC36D	High	1350	34.00	26.20	18.00	9.50	39.50	25.60	8.50	6.50	3.34	2.48
				Intermediate	725	21.60	12.10		16.50						
				Low	725	16.40	12.80		31.65	11.00					
HMH72B341S	TM8Y080C16MP11	21.0	XAHC36D	High	1350	34.00	26.20	18.00	9.50	39.50	25.60	8.50	6.50	3.34	2.48
				Intermediate	725	21.60	12.10		16.50						
				Low	725	16.40	12.80		31.65	11.00					
HMH72B341S	TM8Y100C16MP11	21.0	XAHC30C	High	1375	32.60	25.60	18.00	9.00	40.00	26.60	8.50	6.50	3.34	2.54
				Intermediate	750	21.60	12.80		16.65						
				Low	750	15.80	13.00		31.05	11.00					
HMH72B341S	TM8Y080C16MP11	21.0	XAHC30C	High	1375	32.60	25.60	18.00	9.00	40.00	26.60	8.50	6.50	3.34	2.54
				Intermediate	750	21.60	12.80		16.65						
				Low	750	15.80	13.00		31.05	11.00					
HMH72B341S	TM8Y100C16MP11	21.0	XAF36D	High	1200	34.00	25.20	18.50	10.00	39.00	25.40	8.50	6.05	3.38	2.54
				Intermediate	725	22.20	12.60		16.80						
				Low	725	16.70	13.10		32.20	11.30					
HMH72B341S	TM8Y080C16MP11	21.0	XAF36D	High	1200	34.00	25.20	18.50	10.00	39.00	25.40	8.50	6.05	3.38	2.54
				Intermediate	725	22.20	12.60		16.80						
				Low	725	16.70	13.10		32.20	11.30					
HMH72B341S	TM8Y100C16MP11	21.0	XAF30C	High	1225	33.20	25.20	18.00	10.00	39.50	26.40	8.50	6.15	3.36	2.60
				Intermediate	750	22.00	13.10		16.95						
				Low	750	16.10	13.20		31.45	11.20					

**Table 7: Furnace capacity - 3 ton - 34k**

Outdoor unit model	Furnace model	Furnace width (in.)	Indoor coil model	Stage	Rated CFM	Net cool (MBH)	Sens cool (MBH)	SEER2	EER2	Net47 (MBH)	Net17 (MBH)	HSPF2 IV	HSPF2 V	Cop47	Cop17
HMH72B341S	TM8Y080C16MP11	21.0	XAFC30C	High	1225	33.20	25.20	18.00	10.00	39.50	26.40	8.50	6.15	3.36	2.60
				Intermediate	750	22.00	13.10		16.95						
				Low	750	16.10	13.20		31.45						
HMH72B341S	TM8Y080B12MP11	21.0	XAHC36D	High	1025	33.20	23.40	17.50	9.50	37.80	24.80	8.50	6.65	3.18	2.46
				Intermediate	650	21.20	11.30		16.10						
				Low	650	16.20	12.10		30.55						
HMH72B341S	TM8Y080B12MP11	21.0	XAHC30C	High	1050	32.00	23.00	17.50	9.50	37.80	25.40	8.50	6.55	3.16	2.50
				Intermediate	675	21.20	11.90		16.25						
				Low	675	15.40	12.10		29.75						
HMH72B341S	TM8Y080B12MP11	17.5	XAHB36D	High	1000	33.00	23.00	17.50	9.50	37.80	24.80	8.50	6.50	3.16	2.44
				Intermediate	625	21.20	11.20		15.95						
				Low	625	16.10	11.80		30.20						
HMH72B341S	TM8Y080B12MP11	17.5	XAHB30C	High	1025	32.00	23.00	17.00	9.50	37.80	25.40	8.50	6.65	3.14	2.48
				Intermediate	650	21.00	11.60		16.15						
				Low	650	15.30	11.80		29.45						
HMH72B341S	TM8Y080B12MP11	21.0	XAFC36D	High	1050	34.00	24.20	18.00	10.00	38.50	25.20	8.50	6.35	3.26	2.50
				Intermediate	650	21.80	11.80		16.45						
				Low	650	16.50	12.30		31.35						
HMH72B341S	TM8Y080B12MP11	21.0	XAFC30C	High	1050	32.80	23.60	17.50	10.00	38.50	26.00	8.50	6.05	3.22	2.54
				Intermediate	675	21.60	12.20		16.60						
				Low	675	15.80	12.40		30.50						
HMH72B341S	TM8Y080B12MP11	17.5	XAFB36D	High	1025	34.00	24.00	18.00	10.00	38.50	25.20	8.50	6.45	3.24	2.50
				Intermediate	650	21.80	11.80		16.45						
				Low	650	16.50	12.30		31.25						
HMH72B341S	TM8Y080B12MP11	17.5	XAUB36D	High	1025	34.00	24.00	18.00	10.00	38.50	25.20	8.50	6.45	3.24	2.50
				Intermediate	650	21.80	11.80		16.45						
				Low	650	16.50	12.30		31.25						
HMH72B341S	TM8Y080B12MP11	17.5	XAFB30C	High	1050	32.80	23.60	17.50	10.00	38.50	26.00	8.50	6.05	3.22	2.54
				Intermediate	675	21.60	12.20		16.60						
				Low	675	15.80	12.40		30.50						
HMH72B341S	TM8Y080B12MP11	17.5	XAUB30C	High	1050	32.80	23.60	17.50	10.00	38.50	26.00	8.50	6.05	3.22	2.54
				Intermediate	675	21.60	12.20		16.60						
				Low	675	15.80	12.40		30.50						
HMH72B341S	TM8Y060A12MP11	17.5	XAHB36D	High	950	32.80	22.60	17.50	9.50	37.60	24.60	8.50	6.60	3.12	2.42
				Intermediate	625	21.20	11.20		15.90						
				Low	625	16.10	11.80		30.15						
HMH72B341S	TM8Y060A12MP11	17.5	XAHB30C	High	975	31.80	22.40	17.00	9.50	37.60	25.40	8.50	6.50	3.10	2.46
				Intermediate	625	21.00	11.40		16.05						
				Low	625	15.20	11.50		29.20						
HMH72B341S	TM8Y060A12MP11	17.5	XAFB36D	High	975	33.80	23.60	18.00	10.00	38.50	25.20	8.50	6.45	3.20	2.48
				Intermediate	625	21.60	11.40		16.30						
				Low	625	16.40	12.10		31.00						
HMH72B341S	TM8Y060A12MP11	17.5	XAUB36D	High	975	33.80	23.60	18.00	10.00	38.50	25.20	8.50	6.45	3.20	2.48
				Intermediate	625	21.60	11.40		16.30						
				Low	625	16.40	12.10		31.00						
HMH72B341S	TM8Y060A12MP11	17.5	XAFB30C	High	1000	32.60	23.20	17.50	10.00	38.50	25.80	8.50	6.35	3.18	2.52
				Intermediate	650	21.40	11.90		16.50						
				Low	650	15.70	12.10		30.20						
HMH72B341S	TM8Y060A12MP11	17.5	XAUB30C	High	1000	32.60	23.20	17.50	10.00	38.50	25.80	8.50	6.35	3.18	2.52
				Intermediate	650	21.40	11.90		16.50						
				Low	650	15.70	12.10		30.20						
HMH72B341S	TM8V100C16MP12C	21.0	XAHC36D	High	1400	34.00	26.40	17.00	9.50	39.50	25.60	8.50	6.50	3.38	2.48
				Intermediate	875	22.20	13.80		16.00						
				Low	875	16.50	14.30		28.20						
HMH72B341S	TM8V080C16MP12C	21.0	XAHC36D	High	1400	34.00	26.40	17.00	9.50	39.50	25.60	8.50	6.50	3.38	2.48
				Intermediate	875	22.20	13.80		16.00						
				Low	875	16.50	14.30		28.20						
HMH72B341S	TMLV100C16MP12C	21.0	XAHC36D	High	1400	34.00	26.40	17.00	9.50	39.50	25.60	8.50	6.50	3.38	2.48
				Intermediate	875	22.20	13.80		16.00						
				Low	875	16.50	14.30		28.20						

**Table 7: Furnace capacity - 3 ton - 34k**

Outdoor unit model	Furnace model	Furnace width (in.)	Indoor coil model	Stage	Rated CFM	Net cool (MBH)	Sens cool (MBH)	SEER2	EER2	Net47 (MBH)	Net17 (MBH)	HSPF2 IV	HSPF2 V	Cop47	Cop17
HMH72B341S	TPLC080C16MP13C	21.0	XAHC36D	High	1400	34.00	26.40	17.00	9.50	39.50	25.60	8.50	6.50	3.38	2.48
				Intermediate	875	22.20	13.80		16.00						
				Low	875	16.50	14.30		28.20	11.60					
HMH72B341S	TPLC100C16MP13C	21.0	XAHC36D	High	1400	34.00	26.40	17.00	9.50	39.50	25.60	8.50	6.50	3.38	2.48
				Intermediate	875	22.20	13.80		16.00						
				Low	875	16.50	14.30		28.20	11.60					
HMH72B341S	YPLC080C16MP13C	21.0	XAHC36D	High	1400	34.00	26.40	17.00	9.50	39.50	25.60	8.50	6.50	3.38	2.48
				Intermediate	875	22.20	13.80		16.00						
				Low	875	16.50	14.30		28.20	11.60					
HMH72B341S	YPLC100C16MP13C	21.0	XAHC36D	High	1400	34.00	26.40	17.00	9.50	39.50	25.60	8.50	6.50	3.38	2.48
				Intermediate	875	22.20	13.80		16.00						
				Low	875	16.50	14.30		28.20	11.60					
HMH72B341S	TM8V100C16MP12C	21.0	XAHC30C	High	1150	32.40	24.00	17.00	9.50	38.50	25.60	8.50	6.45	3.24	2.54
				Intermediate	775	21.40	12.90		16.10						
				Low	775	15.70	13.20		28.50	11.20					
HMH72B341S	TM8V080C16MP12C	21.0	XAHC30C	High	1150	32.40	24.00	17.00	9.50	38.50	25.60	8.50	6.45	3.24	2.54
				Intermediate	775	21.40	12.90		16.10						
				Low	775	15.70	13.20		28.50	11.20					
HMH72B341S	TMLV100C16MP12C	21.0	XAHC30C	High	1150	32.40	24.00	17.00	9.50	38.50	25.60	8.50	6.45	3.24	2.54
				Intermediate	775	21.40	12.90		16.10						
				Low	775	15.70	13.20		28.50	11.20					
HMH72B341S	TPLC080C16MP13C	21.0	XAHC30C	High	1150	32.40	24.00	17.00	9.50	38.50	25.60	8.50	6.45	3.24	2.54
				Intermediate	775	21.40	12.90		16.10						
				Low	775	15.70	13.20		28.50	11.20					
HMH72B341S	TPLC100C16MP13C	21.0	XAHC30C	High	1150	32.40	24.00	17.00	9.50	38.50	25.60	8.50	6.45	3.24	2.54
				Intermediate	775	21.40	12.90		16.10						
				Low	775	15.70	13.20		28.50	11.20					
HMH72B341S	YPLC080C16MP13C	21.0	XAHC30C	High	1150	32.40	24.00	17.00	9.50	38.50	25.60	8.50	6.45	3.24	2.54
				Intermediate	775	21.40	12.90		16.10						
				Low	775	15.70	13.20		28.50	11.20					
HMH72B341S	YPLC100C16MP13C	21.0	XAHC30C	High	1150	32.40	24.00	17.00	9.50	38.50	25.60	8.50	6.45	3.24	2.54
				Intermediate	775	21.40	12.90		16.10						
				Low	775	15.70	13.20		28.50	11.20					
HMH72B341S	TM8V100C16MP12C	21.0	XAFC36D	High	1200	34.00	25.20	17.50	10.00	39.50	25.40	8.50	6.05	3.36	2.54
				Intermediate	800	22.40	13.40		16.35						
				Low	800	16.80	13.90		29.60	11.60					
HMH72B341S	TM8V080C16MP12C	21.0	XAFC36D	High	1200	34.00	25.20	17.50	10.00	39.50	25.40	8.50	6.05	3.36	2.54
				Intermediate	800	22.40	13.40		16.35						
				Low	800	16.80	13.90		29.60	11.60					
HMH72B341S	TMLV100C16MP12C	21.0	XAFC36D	High	1200	34.00	25.20	17.50	10.00	39.50	25.40	8.50	6.05	3.36	2.54
				Intermediate	800	22.40	13.40		16.35						
				Low	800	16.80	13.90		29.60	11.60					
HMH72B341S	TPLC080C16MP13C	21.0	XAFC36D	High	1200	34.00	25.20	17.50	10.00	39.50	25.40	8.50	6.05	3.36	2.54
				Intermediate	800	22.40	13.40		16.35						
				Low	800	16.80	13.90		29.60	11.60					
HMH72B341S	TPLC100C16MP13C	21.0	XAFC36D	High	1200	34.00	25.20	17.50	10.00	39.50	25.40	8.50	6.05	3.36	2.54
				Intermediate	800	22.40	13.40		16.35						
				Low	800	16.80	13.90		29.60	11.60					
HMH72B341S	YPLC080C16MP13C	21.0	XAFC36D	High	1200	34.00	25.20	17.50	10.00	39.50	25.40	8.50	6.05	3.36	2.54
				Intermediate	800	22.40	13.40		16.35						
				Low	800	16.80	13.90		29.60	11.60					
HMH72B341S	YPLC100C16MP13C	21.0	XAFC36D	High	1200	34.00	25.20	17.50	10.00	39.50	25.40	8.50	6.05	3.36	2.54
				Intermediate	800	22.40	13.40		16.35						
				Low	800	16.80	13.90		29.60	11.60					
HMH72B341S	TM8V100C16MP12C	21.0	XAFC30C	High	1200	33.00	24.80	17.50	9.50	39.50	26.40	8.50	6.15	3.34	2.60
				Intermediate	800	22.00	13.60		16.45						
				Low	800	16.10	13.80		29.05	11.50					
HMH72B341S	TM8V080C16MP12C	21.0	XAFC30C	High	1200	33.00	24.80	17.50	9.50	39.50	26.40	8.50	6.15	3.34	2.60
				Intermediate	800	22.00	13.60		16.45						
				Low	800	16.10	13.80		29.05	11.50					



**Table 7: Furnace capacity - 3 ton - 34k**

Outdoor unit model	Furnace model	Furnace width (in.)	Indoor coil model	Stage	Rated CFM	Net cool (MBH)	Sens cool (MBH)	SEER2	EER2	Net47 (MBH)	Net17 (MBH)	HSPF2 IV	HSPF2 V	Cop47	Cop17
HMH72B341S	TMLV100C16MP12C	21.0	XAFC30C	High	1200	33.00	24.80	17.50	9.50	39.50	26.40	8.50	6.15	3.34	2.60
				Intermediate	800	22.00	13.60		16.45						
				Low	800	16.10	13.80		29.05						
HMH72B341S	TPLC080C16MP13C	21.0	XAFC30C	High	1200	33.00	24.80	17.50	9.50	39.50	26.40	8.50	6.15	3.34	2.60
				Intermediate	800	22.00	13.60		16.45						
				Low	800	16.10	13.80		29.05						
HMH72B341S	TPLC100C16MP13C	21.0	XAFC30C	High	1200	33.00	24.80	17.50	9.50	39.50	26.40	8.50	6.15	3.34	2.60
				Intermediate	800	22.00	13.60		16.45						
				Low	800	16.10	13.80		29.05						
HMH72B341S	YPLC080C16MP13C	21.0	XAFC30C	High	1200	33.00	24.80	17.50	9.50	39.50	26.40	8.50	6.15	3.34	2.60
				Intermediate	800	22.00	13.60		16.45						
				Low	800	16.10	13.80		29.05						
HMH72B341S	YPLC100C16MP13C	21.0	XAFC30C	High	1200	33.00	24.80	17.50	9.50	39.50	26.40	8.50	6.15	3.34	2.60
				Intermediate	800	22.00	13.60		16.45						
				Low	800	16.10	13.80		29.05						
HMH72B341S	TM8V080B12MP12C	21.0	XAHC36D	High	1000	32.80	22.80	16.50	9.50	37.80	24.80	8.50	6.70	3.14	2.42
				Intermediate	675	21.20	11.60		15.55						
				Low	675	16.10	12.30		28.10						
HMH72B341S	TPLC080B12MP13C	21.0	XAHC36D	High	1000	32.80	22.80	16.50	9.50	37.80	24.80	8.50	6.70	3.14	2.42
				Intermediate	675	21.20	11.60		15.55						
				Low	675	16.10	12.30		28.10						
HMH72B341S	YPLC080B12MP13C	21.0	XAHC36D	High	1000	32.80	22.80	16.50	9.50	37.80	24.80	8.50	6.70	3.14	2.42
				Intermediate	675	21.20	11.60		15.55						
				Low	675	16.10	12.30		28.10						
HMH72B341S	TM8V080B12MP12C	21.0	XAHC30C	High	1100	31.80	23.20	16.50	9.00	38.50	26.00	8.50	6.70	3.12	2.46
				Intermediate	725	21.20	12.40		15.65						
				Low	725	15.50	12.70		27.10						
HMH72B341S	TPLC080B12MP13C	21.0	XAHC30C	High	1100	31.80	23.20	16.50	9.00	38.50	26.00	8.50	6.70	3.12	2.46
				Intermediate	725	21.20	12.40		15.65						
				Low	725	15.50	12.70		27.10						
HMH72B341S	YPLC080B12MP13C	21.0	XAHC30C	High	1100	31.80	23.20	16.50	9.00	38.50	26.00	8.50	6.70	3.12	2.46
				Intermediate	725	21.20	12.40		15.65						
				Low	725	15.50	12.70		27.10						
HMH72B341S	TM8V080B12MP12C	17.5	XAHB36D	High	1000	32.80	22.80	16.50	9.50	38.00	25.00	8.50	6.80	3.12	2.40
				Intermediate	675	21.20	11.60		15.40						
				Low	675	16.10	12.40		27.55						
HMH72B341S	TPLC080B12MP13C	17.5	XAHB36D	High	1000	32.80	22.80	16.50	9.50	38.00	25.00	8.50	6.80	3.12	2.40
				Intermediate	675	21.20	11.60		15.40						
				Low	675	16.10	12.40		27.55						
HMH72B341S	YPLC080B12MP13C	17.5	XAHB36D	High	1000	32.80	22.80	16.50	9.50	38.00	25.00	8.50	6.80	3.12	2.40
				Intermediate	675	21.20	11.60		15.40						
				Low	675	16.10	12.40		27.55						
HMH72B341S	TM8V080B12MP12C	17.5	XAHB30C	High	1000	31.60	22.40	16.50	9.00	37.80	25.60	8.50	6.60	3.08	2.44
				Intermediate	675	21.00	11.90		15.60						
				Low	675	15.30	12.10		27.10						
HMH72B341S	TPLC080B12MP13C	17.5	XAHB30C	High	1000	31.60	22.40	16.50	9.00	37.80	25.60	8.50	6.60	3.08	2.44
				Intermediate	675	21.00	11.90		15.60						
				Low	675	15.30	12.10		27.10						
HMH72B341S	YPLC080B12MP13C	17.5	XAHB30C	High	1000	31.60	22.40	16.50	9.00	37.80	25.60	8.50	6.60	3.08	2.44
				Intermediate	675	21.00	11.90		15.60						
				Low	675	15.30	12.10		27.10						
HMH72B341S	TM8V080B12MP12C	21.0	XAFC36D	High	1100	33.80	24.20	17.00	9.50	39.00	25.60	8.50	6.65	3.24	2.46
				Intermediate	725	22.00	12.60		15.95						
				Low	725	16.50	13.10		28.55						
HMH72B341S	TPLC080B12MP13C	21.0	XAFC36D	High	1100	33.80	24.20	17.00	9.50	39.00	25.60	8.50	6.65	3.24	2.46
				Intermediate	725	22.00	12.60		15.95						
				Low	725	16.50	13.10		28.55						
HMH72B341S	YPLC080B12MP13C	21.0	XAFC36D	High	1100	33.80	24.20	17.00	9.50	39.00	25.60	8.50	6.65	3.24	2.46
				Intermediate	725	22.00	12.60		15.95						
				Low	725	16.50	13.10		28.55						

**Table 7: Furnace capacity - 3 ton - 34k**

Outdoor unit model	Furnace model	Furnace width (in.)	Indoor coil model	Stage	Rated CFM	Net cool (MBH)	Sens cool (MBH)	SEER2	EER2	Net47 (MBH)	Net17 (MBH)	HSPF2 IV	HSPF2 V	Cop47	Cop17
HMH72B341S	TM8V080B12MP12C	21.0	XAFC30C	High	1100	32.40	23.60	17.00	9.50	39.00	26.40	8.50	6.65	3.20	2.52
				Intermediate	725	21.60	12.70		16.05						
				Low	725	15.80	12.90		27.90						
HMH72B341S	TPLC080B12MP13C	21.0	XAFC30C	High	1100	32.40	23.60	17.00	9.50	39.00	26.40	8.50	6.65	3.20	2.52
				Intermediate	725	21.60	12.70		16.05						
				Low	725	15.80	12.90		27.90						
HMH72B341S	YPLC080B12MP13C	21.0	XAFC30C	High	1100	32.40	23.60	17.00	9.50	39.00	26.40	8.50	6.65	3.20	2.52
				Intermediate	725	21.60	12.70		16.05						
				Low	725	15.80	12.90		27.90						
HMH72B341S	TM8V080B12MP12C	17.5	XAFB36D	High	1000	33.60	23.40	17.00	9.50	38.50	25.40	8.50	6.65	3.20	2.46
				Intermediate	675	21.60	11.90		15.90						
				Low	675	16.40	12.60		28.70						
HMH72B341S	TM8V080B12MP12C	17.5	XAUB36D	High	1000	33.60	23.40	17.00	9.50	38.50	25.40	8.50	6.65	3.20	2.46
				Intermediate	675	21.60	11.90		15.90						
				Low	675	16.40	12.60		28.70						
HMH72B341S	TPLC080B12MP13C	17.5	XAFB36D	High	1000	33.60	23.40	17.00	9.50	38.50	25.40	8.50	6.65	3.20	2.46
				Intermediate	675	21.60	11.90		15.90						
				Low	675	16.40	12.60		28.70						
HMH72B341S	TPLC080B12MP13C	17.5	XAUB36D	High	1000	33.60	23.40	17.00	9.50	38.50	25.40	8.50	6.65	3.20	2.46
				Intermediate	675	21.60	11.90		15.90						
				Low	675	16.40	12.60		28.70						
HMH72B341S	YPLC080B12MP13C	17.5	XAFB36D	High	1000	33.60	23.40	17.00	9.50	38.50	25.40	8.50	6.65	3.20	2.46
				Intermediate	675	21.60	11.90		15.90						
				Low	675	16.40	12.60		28.70						
HMH72B341S	YPLC080B12MP13C	17.5	XAUB36D	High	1000	33.60	23.40	17.00	9.50	38.50	25.40	8.50	6.65	3.20	2.46
				Intermediate	675	21.60	11.90		15.90						
				Low	675	16.40	12.60		28.70						
HMH72B341S	TM8V080B12MP12C	17.5	XAFB30C	High	1100	32.40	23.60	17.00	9.50	39.00	26.40	8.50	6.65	3.20	2.50
				Intermediate	725	21.60	12.70		16.05						
				Low	725	15.80	12.90		27.95						
HMH72B341S	TPLC080B12MP13C	17.5	XAFB30C	High	1100	32.40	23.60	17.00	9.50	39.00	26.40	8.50	6.65	3.20	2.50
				Intermediate	725	21.60	12.70		16.05						
				Low	725	15.80	12.90		27.95						
HMH72B341S	YPLC080B12MP13C	17.5	XAFB30C	High	1100	32.40	23.60	17.00	9.50	39.00	26.40	8.50	6.65	3.20	2.50
				Intermediate	725	21.60	12.70		16.05						
				Low	725	15.80	12.90		27.95						
HMH72B341S	TM8V080B12MP12C	17.5	XAUB30C	High	1100	32.40	23.60	17.00	9.50	39.00	26.40	8.50	6.65	3.20	2.50
				Intermediate	725	21.60	12.70		16.05						
				Low	725	15.80	12.90		27.95						
HMH72B341S	TPLC080B12MP13C	17.5	XAUB30C	High	1100	32.40	23.60	17.00	9.50	39.00	26.40	8.50	6.65	3.20	2.50
				Intermediate	725	21.60	12.70		16.05						
				Low	725	15.80	12.90		27.95						
HMH72B341S	YPLC080B12MP13C	17.5	XAUB30C	High	1100	32.40	23.60	17.00	9.50	39.00	26.40	8.50	6.65	3.20	2.50
				Intermediate	725	21.60	12.70		16.05						
				Low	725	15.80	12.90		27.95						
HMH72B341S	TM8V060A12MP12C	17.5	XAHB36D	High	1150	33.40	24.40	16.50	9.50	38.50	25.20	8.50	6.70	3.20	2.44
				Intermediate	775	21.80	12.80		15.70						
				Low	775	16.30	13.30		27.75						
HMH72B341S	TMLV060A12MP12C	17.5	XAHB36D	High	1150	33.40	24.40	16.50	9.50	38.50	25.20	8.50	6.70	3.20	2.44
				Intermediate	775	21.80	12.80		15.70						
				Low	775	16.30	13.30		27.75						
HMH72B341S	TPLC060A12MP13C	17.5	XAHB36D	High	1150	33.40	24.40	16.50	9.50	38.50	25.20	8.50	6.70	3.20	2.44
				Intermediate	775	21.80	12.80		15.70						
				Low	775	16.30	13.30		27.75						
HMH72B341S	YPLC060A12MP13C	17.5	XAHB36D	High	1150	33.40	24.40	16.50	9.50	38.50	25.20	8.50	6.70	3.20	2.44
				Intermediate	775	21.80	12.80		15.70						
				Low	775	16.30	13.30		27.75						
HMH72B341S	TM8V060A12MP12C	17.5	XAHB30C	High	1075	32.00	23.20	17.00	9.50	38.00	25.60	8.50	6.65	3.16	2.50
				Intermediate	725	21.20	12.40		15.95						
				Low	725	15.50	12.60		28.15						

**Table 7: Furnace capacity - 3 ton - 34k**

Outdoor unit model	Furnace model	Furnace width (in.)	Indoor coil model	Stage	Rated CFM	Net cool (MBH)	Sens cool (MBH)	SEER2	EER2	Net47 (MBH)	Net17 (MBH)	HSPF2 IV	HSPF2 V	Cop47	Cop17
HMH72B341S	TMLV060A12MP12C	17.5	XAHB30C	High	1075	32.00	23.20	17.00	9.50	38.00	25.60	8.50	6.65	3.16	2.50
				Intermediate	725	21.20	12.40		15.95						
				Low	725	15.50	12.60		28.15						
HMH72B341S	TPLC060A12MP13C	17.5	XAHB30C	High	1075	32.00	23.20	17.00	9.50	38.00	25.60	8.50	6.65	3.16	2.50
				Intermediate	725	21.20	12.40		15.95						
				Low	725	15.50	12.60		28.15						
HMH72B341S	YPLC060A12MP13C	17.5	XAHB30C	High	1075	32.00	23.20	17.00	9.50	38.00	25.60	8.50	6.65	3.16	2.50
				Intermediate	725	21.20	12.40		15.95						
				Low	725	15.50	12.60		28.15						
HMH72B341S	TM8V060A12MP12C	17.5	XAFB36D	High	1150	34.00	24.80	17.50	9.50	39.50	25.60	8.50	6.45	3.30	2.50
				Intermediate	775	22.20	13.10		16.20						
				Low	775	16.70	13.70		29.05						
HMH72B341S	TM8V060A12MP12C	17.5	XAUB36D	High	1150	34.00	24.80	17.50	9.50	39.50	25.60	8.50	6.45	3.30	2.50
				Intermediate	775	22.20	13.10		16.20						
				Low	775	16.70	13.70		29.05						
HMH72B341S	TMLV060A12MP12C	17.5	XAFB36D	High	1150	34.00	24.80	17.50	9.50	39.50	25.60	8.50	6.45	3.30	2.50
				Intermediate	775	22.20	13.10		16.20						
				Low	775	16.70	13.70		29.05						
HMH72B341S	TPLC060A12MP13C	17.5	XAFB36D	High	1150	34.00	24.80	17.50	9.50	39.50	25.60	8.50	6.45	3.30	2.50
				Intermediate	775	22.20	13.10		16.20						
				Low	775	16.70	13.70		29.05						
HMH72B341S	TPLC060A12MP13C	17.5	XAUB36D	High	1150	34.00	24.80	17.50	9.50	39.50	25.60	8.50	6.45	3.30	2.50
				Intermediate	775	22.20	13.10		16.20						
				Low	775	16.70	13.70		29.05						
HMH72B341S	YPLC060A12MP13C	17.5	XAFB36D	High	1150	34.00	24.80	17.50	9.50	39.50	25.60	8.50	6.45	3.30	2.50
				Intermediate	775	22.20	13.10		16.20						
				Low	775	16.70	13.70		29.05						
HMH72B341S	YPLC060A12MP13C	17.5	XAUB36D	High	1150	34.00	24.80	17.50	9.50	39.50	25.60	8.50	6.45	3.30	2.50
				Intermediate	775	22.20	13.10		16.20						
				Low	775	16.70	13.70		29.05						
HMH72B341S	TM8V060A12MP12C	17.5	XAFB30C	High	1075	32.80	23.80	17.50	9.50	38.50	26.00	8.50	6.05	3.24	2.56
				Intermediate	725	21.80	12.80		16.40						
				Low	725	15.90	13.00		29.25						
HMH72B341S	TMLV060A12MP12C	17.5	XAFB30C	High	1075	32.80	23.80	17.50	9.50	38.50	26.00	8.50	6.05	3.24	2.56
				Intermediate	725	21.80	12.80		16.40						
				Low	725	15.90	13.00		29.25						
HMH72B341S	TPLC060A12MP13C	17.5	XAFB30C	High	1075	32.80	23.80	17.50	9.50	38.50	26.00	8.50	6.05	3.24	2.56
				Intermediate	725	21.80	12.80		16.40						
				Low	725	15.90	13.00		29.25						
HMH72B341S	YPLC060A12MP13C	17.5	XAFB30C	High	1075	32.80	23.80	17.50	9.50	38.50	26.00	8.50	6.05	3.24	2.56
				Intermediate	725	21.80	12.80		16.40						
				Low	725	15.90	13.00		29.25						
HMH72B341S	TM8V060A12MP12C	17.5	XAUB30C	High	1075	32.80	23.80	17.50	9.50	38.50	26.00	8.50	6.05	3.24	2.56
				Intermediate	725	21.80	12.80		16.40						
				Low	725	15.90	13.00		29.25						
HMH72B341S	TMLV060A12MP12C	17.5	XAUB30C	High	1075	32.80	23.80	17.50	9.50	38.50	26.00	8.50	6.05	3.24	2.56
				Intermediate	725	21.80	12.80		16.40						
				Low	725	15.90	13.00		29.25						
HMH72B341S	TPLC060A12MP13C	17.5	XAUB30C	High	1075	32.80	23.80	17.50	9.50	38.50	26.00	8.50	6.05	3.24	2.56
				Intermediate	725	21.80	12.80		16.40						
				Low	725	15.90	13.00		29.25						
HMH72B341S	YPLC060A12MP13C	17.5	XAUB30C	High	1075	32.80	23.80	17.50	9.50	38.50	26.00	8.50	6.05	3.24	2.56
				Intermediate	725	21.80	12.80		16.40						
				Low	725	15.90	13.00		29.25						
HMH72B341S	TM8E120C16MP11	21.0	XAHC36D	High	1100	33.60	24.20	17.50	10.00	38.00	24.80	8.50	6.55	3.26	2.48
				Intermediate	750	21.80	12.50		16.25						
				Low	750	16.40	13.10		30.30						

**Table 7: Furnace capacity - 3 ton - 34k**

Outdoor unit model	Furnace model	Furnace width (in.)	Indoor coil model	Stage	Rated CFM	Net cool (MBH)	Sens cool (MBH)	SEER2	EER2	Net47 (MBH)	Net17 (MBH)	HSPF2 IV	HSPF2 V	Cop47	Cop17
HMH72B341S	TMLE120C16MP11	21.0	XAHC36D	High	1100	33.60	24.20	17.50	10.00	38.00	24.80	8.50	6.55	3.26	2.48
				Intermediate	750	21.80	12.50		16.25						
				Low	750	16.40	13.10		30.30	11.20					
HMH72B341S	TM8E120C16MP11	21.0	XAHC30C	High	1125	32.40	24.00	17.50	9.50	38.00	25.60	8.50	6.45	3.24	2.54
				Intermediate	750	21.40	12.70		16.30						
				Low	750	15.70	13.00		29.50	11.10					
HMH72B341S	TMLE120C16MP11	21.0	XAHC30C	High	1125	32.40	24.00	17.50	9.50	38.00	25.60	8.50	6.45	3.24	2.54
				Intermediate	750	21.40	12.70		16.30						
				Low	750	15.70	13.00		29.50	11.10					
HMH72B341S	TM8E120C16MP11	21.0	XAFC36D	High	1125	34.00	24.80	18.00	10.00	39.00	25.20	8.50	6.15	3.34	2.54
				Intermediate	750	22.20	12.80		16.60						
				Low	750	16.70	13.30		31.05	11.40					
HMH72B341S	TMLE120C16MP11	21.0	XAFC36D	High	1125	34.00	24.80	18.00	10.00	39.00	25.20	8.50	6.15	3.34	2.54
				Intermediate	750	22.20	12.80		16.60						
				Low	750	16.70	13.30		31.05	11.40					
HMH72B341S	TM8E120C16MP11	21.0	XAFC30C	High	1150	33.20	24.60	18.00	10.00	39.00	26.20	8.50	6.00	3.32	2.60
				Intermediate	775	22.00	13.30		16.75						
				Low	775	16.10	13.50		30.45	11.40					
HMH72B341S	TMLE120C16MP11	21.0	XAFC30C	High	1150	33.20	24.60	18.00	10.00	39.00	26.20	8.50	6.00	3.32	2.60
				Intermediate	775	22.00	13.30		16.75						
				Low	775	16.10	13.50		30.45	11.40					
HMH72B341S	TM8E100C16MP11	21.0	XAHC36D	High	1100	33.60	24.20	17.50	10.00	38.00	24.80	8.50	6.55	3.24	2.48
				Intermediate	725	21.60	12.20		16.20						
				Low	725	16.30	12.80		30.25	11.10					
HMH72B341S	TMLE100C16MP11	21.0	XAHC36D	High	1100	33.60	24.20	17.50	10.00	38.00	24.80	8.50	6.55	3.24	2.48
				Intermediate	725	21.60	12.20		16.20						
				Low	725	16.30	12.80		30.25	11.10					
HMH72B341S	TM8E100C16MP11	21.0	XAHC30C	High	1125	32.20	23.80	16.50	9.50	38.00	25.60	8.50	6.45	3.22	2.54
				Intermediate	850	21.80	13.90		15.90						
				Low	850	15.90	14.00		27.45	11.50					
HMH72B341S	TMLE100C16MP11	21.0	XAHC30C	High	1125	32.20	23.80	16.50	9.50	38.00	25.60	8.50	6.45	3.22	2.54
				Intermediate	850	21.80	13.90		15.90						
				Low	850	15.90	14.00		27.45	11.50					
HMH72B341S	TM8E100C16MP11	21.0	XAFC36D	High	1125	34.00	24.80	17.50	10.00	39.00	25.20	8.50	6.15	3.34	2.54
				Intermediate	850	22.60	13.90		16.30						
				Low	850	16.80	14.40		28.80	11.80					
HMH72B341S	TMLE100C16MP11	21.0	XAFC36D	High	1125	34.00	24.80	17.50	10.00	39.00	25.20	8.50	6.15	3.34	2.54
				Intermediate	850	22.60	13.90		16.30						
				Low	850	16.80	14.40		28.80	11.80					
HMH72B341S	TM8E100C16MP11	21.0	XAFC30C	High	1125	33.00	24.40	18.00	10.00	39.00	26.00	8.50	6.00	3.30	2.58
				Intermediate	775	22.00	13.30		16.75						
				Low	775	16.10	13.50		30.40	11.40					
HMH72B341S	TMLE100C16MP11	21.0	XAFC30C	High	1125	33.00	24.40	18.00	10.00	39.00	26.00	8.50	6.00	3.30	2.58
				Intermediate	775	22.00	13.30		16.75						
				Low	775	16.10	13.50		30.40	11.40					
HMH72B341S	TM8E100B12MP11	21.0	XAHC36D	High	1100	33.40	24.00	17.50	9.50	38.00	24.80	8.50	6.50	3.22	2.46
				Intermediate	675	21.40	11.70		16.10						
				Low	675	16.20	12.30		30.40	11.00					
HMH72B341S	TMLE100B12MP11	21.0	XAHC36D	High	1100	33.40	24.00	17.50	9.50	38.00	24.80	8.50	6.50	3.22	2.46
				Intermediate	675	21.40	11.70		16.10						
				Low	675	16.20	12.30		30.40	11.00					
HMH72B341S	TM8E100B12MP11	21.0	XAHC30C	High	1100	32.00	23.40	17.50	9.50	38.00	25.60	8.50	6.65	3.18	2.50
				Intermediate	700	21.20	12.10		16.25						
				Low	700	15.50	12.40		29.60	11.00					
HMH72B341S	TMLE100B12MP11	21.0	XAHC30C	High	1100	32.00	23.40	17.50	9.50	38.00	25.60	8.50	6.65	3.18	2.50
				Intermediate	700	21.20	12.10		16.25						
				Low	700	15.50	12.40		29.60	11.00					
HMH72B341S	TM8E100B12MP11	17.5	XAHB36D	High	1075	33.20	23.80	17.50	9.50	38.00	25.00	8.50	6.60	3.20	2.44
				Intermediate	650	21.20	11.30		15.95						
				Low	650	16.10	12.00		30.05	10.90					

**Table 7: Furnace capacity - 3 ton - 34k**

Outdoor unit model	Furnace model	Furnace width (in.)	Indoor coil model	Stage	Rated CFM	Net cool (MBH)	Sens cool (MBH)	SEER2	EER2	Net47 (MBH)	Net17 (MBH)	HSPF2 IV	HSPF2 V	Cop47	Cop17
HMH72B341S	TMLE100B12MP11	17.5	XAHB36D	High	1075	33.20	23.80	17.50	9.50	38.00	25.00	8.50	6.60	3.20	2.44
				Intermediate	650	21.20	11.30		15.95						
				Low	650	16.10	12.00		30.05						
HMH72B341S	TM8E100B12MP11	17.5	XAHB30C	High	1100	32.00	23.40	17.00	9.50	38.00	25.80	8.50	6.65	3.18	2.50
				Intermediate	675	21.20	12.00		16.15						
				Low	675	15.40	12.10		29.35						
HMH72B341S	TMLE100B12MP11	17.5	XAHB30C	High	1100	32.00	23.40	17.00	9.50	38.00	25.80	8.50	6.65	3.18	2.50
				Intermediate	675	21.20	12.00		16.15						
				Low	675	15.40	12.10		29.35						
HMH72B341S	TM8E100B12MP11	21.0	XAFC36D	High	1100	34.00	24.60	18.00	10.00	39.00	25.40	8.50	6.35	3.28	2.50
				Intermediate	700	22.00	12.30		16.55						
				Low	700	16.60	12.80		31.25						
HMH72B341S	TMLE100B12MP11	21.0	XAFC36D	High	1100	34.00	24.60	18.00	10.00	39.00	25.40	8.50	6.35	3.28	2.50
				Intermediate	700	22.00	12.30		16.55						
				Low	700	16.60	12.80		31.25						
HMH72B341S	TM8E100B12MP11	21.0	XAFC30C	High	1125	32.80	24.20	17.50	9.50	39.00	26.20	8.50	6.05	3.28	2.56
				Intermediate	700	21.60	12.40		16.60						
				Low	700	15.80	12.60		30.35						
HMH72B341S	TMLE100B12MP11	21.0	XAFC30C	High	1125	32.80	24.20	17.50	9.50	39.00	26.20	8.50	6.05	3.28	2.56
				Intermediate	700	21.60	12.40		16.60						
				Low	700	15.80	12.60		30.35						
HMH72B341S	TM8E100B12MP11	17.5	XAFB36D	High	1100	34.00	24.60	18.00	10.00	39.00	25.40	8.50	6.45	3.28	2.50
				Intermediate	675	21.80	11.90		16.45						
				Low	675	16.60	12.70		31.05						
HMH72B341S	TM8E100B12MP11	17.5	XAUB36D	High	1100	34.00	24.60	18.00	10.00	39.00	25.40	8.50	6.45	3.28	2.50
				Intermediate	675	21.80	11.90		16.45						
				Low	675	16.60	12.70		31.05						
HMH72B341S	TMLE100B12MP11	17.5	XAFB36D	High	1100	34.00	24.60	18.00	10.00	39.00	25.40	8.50	6.45	3.28	2.50
				Intermediate	675	21.80	11.90		16.45						
				Low	675	16.60	12.70		31.05						
HMH72B341S	TMLE100B12MP11	17.5	XAUB36D	High	1100	34.00	24.60	18.00	10.00	39.00	25.40	8.50	6.45	3.28	2.50
				Intermediate	675	21.80	11.90		16.45						
				Low	675	16.60	12.70		31.05						
HMH72B341S	TM8E100B12MP11	17.5	XAFB30C	High	1125	32.80	24.20	17.50	9.50	39.00	26.20	8.50	6.35	3.26	2.56
				Intermediate	700	21.60	12.40		16.60						
				Low	700	15.80	12.60		30.35						
HMH72B341S	TMLE100B12MP11	17.5	XAFB30C	High	1125	32.80	24.20	17.50	9.50	39.00	26.20	8.50	6.35	3.26	2.56
				Intermediate	700	21.60	12.40		16.60						
				Low	700	15.80	12.60		30.35						
HMH72B341S	TM8E100B12MP11	17.5	XAUB30C	High	1125	32.80	24.20	17.50	9.50	39.00	26.20	8.50	6.35	3.26	2.56
				Intermediate	700	21.60	12.40		16.60						
				Low	700	15.80	12.60		30.35						
HMH72B341S	TMLE100B12MP11	17.5	XAUB30C	High	1125	32.80	24.20	17.50	9.50	39.00	26.20	8.50	6.35	3.26	2.56
				Intermediate	700	21.60	12.40		16.60						
				Low	700	15.80	12.60		30.35						
HMH72B341S	TM8E080C16MP11	21.0	XAHC36D	High	1075	33.60	24.20	17.50	10.00	37.80	24.60	8.50	6.55	3.24	2.48
				Intermediate	750	21.80	12.50		16.15						
				Low	750	16.40	13.10		30.00						
HMH72B341S	TMLE080C16MP11	21.0	XAHC36D	High	1075	33.60	24.20	17.50	10.00	37.80	24.60	8.50	6.55	3.24	2.48
				Intermediate	750	21.80	12.50		16.15						
				Low	750	16.40	13.10		30.00						
HMH72B341S	TM8E080C16MP11	21.0	XAHC30C	High	1100	32.20	23.60	17.50	9.50	38.00	25.60	8.50	6.45	3.22	2.52
				Intermediate	775	21.60	13.10		16.30						
				Low	775	15.80	13.30		29.35						
HMH72B341S	TMLE080C16MP11	21.0	XAHC30C	High	1100	32.20	23.60	17.50	9.50	38.00	25.60	8.50	6.45	3.22	2.52
				Intermediate	775	21.60	13.10		16.30						
				Low	775	15.80	13.30		29.35						
HMH72B341S	TM8E080C16MP11	21.0	XAFC36D	High	1075	34.00	24.40	17.00	10.00	38.50	25.20	8.50	6.05	3.30	2.52
				Intermediate	850	22.60	13.90		16.20						
				Low	850	16.80	14.40		28.40						

**Table 7: Furnace capacity - 3 ton - 34k**

Outdoor unit model	Furnace model	Furnace width (in.)	Indoor coil model	Stage	Rated CFM	Net cool (MBH)	Sens cool (MBH)	SEER2	EER2	Net47 (MBH)	Net17 (MBH)	HSPF2 IV	HSPF2 V	Cop47	Cop17
HMH72B341S	TMLE080C16MP11	21.0	XAFC36D	High	1075	34.00	24.40	17.00	10.00	38.50	25.20	8.50	6.05	3.30	2.52
				Intermediate	850	22.60	13.90		16.20						
				Low	850	16.80	14.40		28.40	11.80					
HMH72B341S	TM8E080C16MP11	21.0	XAFC30C	High	1100	33.00	24.20	18.00	10.00	38.50	26.00	8.50	6.00	3.28	2.58
				Intermediate	775	22.00	13.40		16.65						
				Low	775	16.10	13.50		30.00	11.40					
HMH72B341S	TMLE080C16MP11	21.0	XAFC30C	High	1100	33.00	24.20	18.00	10.00	38.50	26.00	8.50	6.00	3.28	2.58
				Intermediate	775	22.00	13.40		16.65						
				Low	775	16.10	13.50		30.00	11.40					
HMH72B341S	TM8E080B12MP11	21.0	XAHC36D	High	1100	33.40	24.00	17.50	9.50	38.00	25.00	8.50	6.50	3.22	2.44
				Intermediate	700	21.40	11.80		16.05						
				Low	700	16.30	12.60		30.00	11.00					
HMH72B341S	TMLE080B12MP11	21.0	XAHC36D	High	1100	33.40	24.00	17.50	9.50	38.00	25.00	8.50	6.50	3.22	2.44
				Intermediate	700	21.40	11.80		16.05						
				Low	700	16.30	12.60		30.00	11.00					
HMH72B341S	TM8E080B12MP11	21.0	XAHC30C	High	1225	32.20	24.40	17.00	9.00	39.00	26.40	8.50	6.60	3.22	2.50
				Intermediate	725	21.40	12.50		16.25						
				Low	725	15.60	12.70		29.55	11.00					
HMH72B341S	TMLE080B12MP11	21.0	XAHC30C	High	1225	32.20	24.40	17.00	9.00	39.00	26.40	8.50	6.60	3.22	2.50
				Intermediate	725	21.40	12.50		16.25						
				Low	725	15.60	12.70		29.55	11.00					
HMH72B341S	TM8E080B12MP11	17.5	XAHB36D	High	1075	33.20	23.80	17.00	9.50	38.00	25.00	8.50	6.60	3.18	2.44
				Intermediate	675	21.40	11.70		15.90						
				Low	675	16.20	12.40		29.55	11.00					
HMH72B341S	TMLE080B12MP11	17.5	XAHB36D	High	1075	33.20	23.80	17.00	9.50	38.00	25.00	8.50	6.60	3.18	2.44
				Intermediate	675	21.40	11.70		15.90						
				Low	675	16.20	12.40		29.55	11.00					
HMH72B341S	TM8E080B12MP11	17.5	XAHB30C	High	1200	32.00	24.00	17.00	9.00	39.00	26.20	8.50	6.70	3.20	2.48
				Intermediate	725	21.40	12.50		16.20						
				Low	725	15.60	12.70		29.35	11.00					
HMH72B341S	TMLE080B12MP11	17.5	XAHB30C	High	1200	32.00	24.00	17.00	9.00	39.00	26.20	8.50	6.70	3.20	2.48
				Intermediate	725	21.40	12.50		16.20						
				Low	725	15.60	12.70		29.35	11.00					
HMH72B341S	TM8E080B12MP11	21.0	XAFC36D	High	1200	34.00	25.20	18.00	9.50	39.50	25.80	8.50	6.65	3.30	2.48
				Intermediate	725	22.00	12.40		16.55						
				Low	725	16.70	13.10		31.05	11.30					
HMH72B341S	TMLE080B12MP11	21.0	XAFC36D	High	1200	34.00	25.20	18.00	9.50	39.50	25.80	8.50	6.65	3.30	2.48
				Intermediate	725	22.00	12.40		16.55						
				Low	725	16.70	13.10		31.05	11.30					
HMH72B341S	TM8E080B12MP11	21.0	XAFC30C	High	1225	32.80	24.80	17.50	9.50	40.00	26.80	8.50	6.55	3.28	2.54
				Intermediate	750	22.00	13.20		16.70						
				Low	750	16.00	13.20		30.35	11.30					
HMH72B341S	TMLE080B12MP11	21.0	XAFC30C	High	1225	32.80	24.80	17.50	9.50	40.00	26.80	8.50	6.55	3.28	2.54
				Intermediate	750	22.00	13.20		16.70						
				Low	750	16.00	13.20		30.35	11.30					
HMH72B341S	TM8E080B12MP11	17.5	XAFB36D	High	1200	34.00	25.20	18.00	9.50	39.50	25.80	8.50	6.65	3.30	2.48
				Intermediate	725	22.00	12.40		16.55						
				Low	725	16.70	13.20		31.00	11.30					
HMH72B341S	TM8E080B12MP11	17.5	XAUB36D	High	1200	34.00	25.20	18.00	9.50	39.50	25.80	8.50	6.65	3.30	2.48
				Intermediate	725	22.00	12.40		16.55						
				Low	725	16.70	13.20		31.00	11.30					
HMH72B341S	TMLE080B12MP11	17.5	XAFB36D	High	1200	34.00	25.20	18.00	9.50	39.50	25.80	8.50	6.65	3.30	2.48
				Intermediate	725	22.00	12.40		16.55						
				Low	725	16.70	13.20		31.00	11.30					
HMH72B341S	TMLE080B12MP11	17.5	XAUB36D	High	1200	34.00	25.20	18.00	9.50	39.50	25.80	8.50	6.65	3.30	2.48
				Intermediate	725	22.00	12.40		16.55						
				Low	725	16.70	13.20		31.00	11.30					
HMH72B341S	TM8E080B12MP11	17.5	XAFB30C	High	1225	32.80	24.80	17.50	9.50	40.00	26.80	8.50	6.55	3.28	2.54
				Intermediate	750	22.00	13.20		16.70						
				Low	750	16.00	13.20		30.35	11.30					

**Table 7: Furnace capacity - 3 ton - 34k**

Outdoor unit model	Furnace model	Furnace width (in.)	Indoor coil model	Stage	Rated CFM	Net cool (MBH)	Sens cool (MBH)	SEER2	EER2	Net47 (MBH)	Net17 (MBH)	HSPF2 IV	HSPF2 V	Cop47	Cop17
HMH72B341S	TMLE080B12MP11	17.5	XAFB30C	High	1225	32.80	24.80	17.50	9.50	40.00	26.80	8.50	6.55	3.28	2.54
				Intermediate	750	22.00	13.20		16.70						
				Low	750	16.00	13.20		30.35						
HMH72B341S	TM8E080B12MP11	17.5	XAUB30C	High	1225	32.80	24.80	17.50	9.50	40.00	26.80	8.50	6.55	3.28	2.54
				Intermediate	750	22.00	13.20		16.70						
				Low	750	16.00	13.20		30.35						
HMH72B341S	TMLE080B12MP11	17.5	XAUB30C	High	1225	32.80	24.80	17.50	9.50	40.00	26.80	8.50	6.55	3.28	2.54
				Intermediate	750	22.00	13.20		16.70						
				Low	750	16.00	13.20		30.35						
HMH72B341S	TM8E060A12MP11	17.5	XAHB36D	High	1075	33.20	23.80	17.00	9.50	38.00	25.00	8.50	6.60	3.18	2.44
				Intermediate	700	21.40	11.90		15.95						
				Low	700	16.20	12.60		29.40						
HMH72B341S	TMLE060A12MP11	17.5	XAHB36D	High	1075	33.20	23.80	17.00	9.50	38.00	25.00	8.50	6.60	3.18	2.44
				Intermediate	700	21.40	11.90		15.95						
				Low	700	16.20	12.60		29.40						
HMH72B341S	TM8E060A12MP11	17.5	XAHB30C	High	1100	32.00	23.40	17.00	9.50	38.50	25.80	8.50	6.50	3.16	2.50
				Intermediate	725	21.40	12.50		16.10						
				Low	725	15.60	12.70		28.80						
HMH72B341S	TMLE060A12MP11	17.5	XAHB30C	High	1100	32.00	23.40	17.00	9.50	38.50	25.80	8.50	6.50	3.16	2.50
				Intermediate	725	21.40	12.50		16.10						
				Low	725	15.60	12.70		28.80						
HMH72B341S	TM8E060A12MP11	17.5	XAFB36D	High	1100	34.00	24.40	18.00	10.00	39.00	25.40	8.50	6.45	3.28	2.50
				Intermediate	725	22.00	12.50		16.40						
				Low	725	16.60	13.10		30.45						
HMH72B341S	TM8E060A12MP11	17.5	XAUB36D	High	1100	34.00	24.40	18.00	10.00	39.00	25.40	8.50	6.45	3.28	2.50
				Intermediate	725	22.00	12.50		16.40						
				Low	725	16.60	13.10		30.45						
HMH72B341S	TMLE060A12MP11	17.5	XAFB36D	High	1100	34.00	24.40	18.00	10.00	39.00	25.40	8.50	6.45	3.28	2.50
				Intermediate	725	22.00	12.50		16.40						
				Low	725	16.60	13.10		30.45						
HMH72B341S	TMLE060A12MP11	17.5	XAUB36D	High	1100	34.00	24.40	18.00	10.00	39.00	25.40	8.50	6.45	3.28	2.50
				Intermediate	725	22.00	12.50		16.40						
				Low	725	16.60	13.10		30.45						
HMH72B341S	TM8E060A12MP11	17.5	XAFB30C	High	1125	32.80	24.20	17.50	9.50	39.00	26.20	8.50	6.35	3.26	2.56
				Intermediate	750	21.80	13.00		16.55						
				Low	750	16.00	13.20		29.80						
HMH72B341S	TMLE060A12MP11	17.5	XAFB30C	High	1125	32.80	24.20	17.50	9.50	39.00	26.20	8.50	6.35	3.26	2.56
				Intermediate	750	21.80	13.00		16.55						
				Low	750	16.00	13.20		29.80						
HMH72B341S	TM8E060A12MP11	17.5	XAUB30C	High	1125	32.80	24.20	17.50	9.50	39.00	26.20	8.50	6.35	3.26	2.56
				Intermediate	750	21.80	13.00		16.55						
				Low	750	16.00	13.20		29.80						
HMH72B341S	TMLE060A12MP11	17.5	XAUB30C	High	1125	32.80	24.20	17.50	9.50	39.00	26.20	8.50	6.35	3.26	2.56
				Intermediate	750	21.80	13.00		16.55						
				Low	750	16.00	13.20		29.80						
HMH72B341S	TM8E040A12MP11	17.5	XAHB36D	High	1050	33.20	23.60	17.50	9.50	38.00	24.80	8.50	6.50	3.18	2.44
				Intermediate	625	21.20	11.20		16.05						
				Low	625	16.10	11.80		30.70						
HMH72B341S	TMLE040A12MP11	17.5	XAHB36D	High	1050	33.20	23.60	17.50	9.50	38.00	24.80	8.50	6.50	3.18	2.44
				Intermediate	625	21.20	11.20		16.05						
				Low	625	16.10	11.80		30.70						
HMH72B341S	TM8E040A12MP11	17.5	XAHB30C	High	1075	32.00	23.20	17.50	9.50	38.00	25.60	8.50	6.65	3.18	2.50
				Intermediate	650	21.00	11.60		16.25						
				Low	650	15.40	11.90		29.90						
HMH72B341S	TMLE040A12MP11	17.5	XAHB30C	High	1075	32.00	23.20	17.50	9.50	38.00	25.60	8.50	6.65	3.18	2.50
				Intermediate	650	21.00	11.60		16.25						
				Low	650	15.40	11.90		29.90						
HMH72B341S	TM8E040A12MP11	17.5	XAFB36D	High	1075	34.00	24.40	18.00	10.00	39.00	25.20	8.50	6.45	3.28	2.50
				Intermediate	650	21.80	11.80		16.55						
				Low	650	16.50	12.30		31.75						

**Table 7: Furnace capacity - 3 ton - 34k**

Outdoor unit model	Furnace model	Furnace width (in.)	Indoor coil model	Stage	Rated CFM	Net cool (MBH)	Sens cool (MBH)	SEER2	EER2	Net47 (MBH)	Net17 (MBH)	HSPF2 IV	HSPF2 V	Cop47	Cop17
HMH72B341S	TM8E040A12MP11	17.5	XAUB36D	High	1075	34.00	24.40	18.00	10.00	39.00	25.20	8.50	6.45	3.28	2.50
				Intermediate	650	21.80	11.80		16.55						
				Low	650	16.50	12.30		31.75	11.10					
HMH72B341S	TMLE040A12MP11	17.5	XAFB36D	High	1075	34.00	24.40	18.00	10.00	39.00	25.20	8.50	6.45	3.28	2.50
				Intermediate	650	21.80	11.80		16.55						
				Low	650	16.50	12.30		31.75	11.10					
HMH72B341S	TMLE040A12MP11	17.5	XAUB36D	High	1075	34.00	24.40	18.00	10.00	39.00	25.20	8.50	6.45	3.28	2.50
				Intermediate	650	21.80	11.80		16.55						
				Low	650	16.50	12.30		31.75	11.10					
HMH72B341S	TM8E040A12MP11	17.5	XAFB30C	High	1100	32.80	24.00	18.00	10.00	39.00	26.20	8.50	6.05	3.26	2.56
				Intermediate	700	21.80	12.60		16.80						
				Low	700	15.90	12.70		31.10	11.10					
HMH72B341S	TMLE040A12MP11	17.5	XAFB30C	High	1100	32.80	24.00	18.00	10.00	39.00	26.20	8.50	6.05	3.26	2.56
				Intermediate	700	21.80	12.60		16.80						
				Low	700	15.90	12.70		31.10	11.10					
HMH72B341S	TM8E040A12MP11	17.5	XAUB30C	High	1100	32.80	24.00	18.00	10.00	39.00	26.20	8.50	6.05	3.26	2.56
				Intermediate	700	21.80	12.60		16.80						
				Low	700	15.90	12.70		31.10	11.10					
HMH72B341S	TMLE040A12MP11	17.5	XAUB30C	High	1100	32.80	24.00	18.00	10.00	39.00	26.20	8.50	6.05	3.26	2.56
				Intermediate	700	21.80	12.60		16.80						
				Low	700	15.90	12.70		31.10	11.10					
HMH72B341S	TL9E100C20UH11	21.0	XAHC36D	High	1400	34.00	26.60	16.50	9.50	39.50	25.60	8.50	6.65	3.38	2.48
				Intermediate	1025	22.80	15.40		15.90						
				Low	1025	16.80	15.90		26.65	12.20					
HMH72B341S	TL9E100C20UH11	21.0	XAHC30C	High	1225	32.60	24.80	16.50	9.50	38.50	26.00	8.50	6.35	3.28	2.56
				Intermediate	1025	22.40	15.80		15.65						
				Low	1025	16.40	16.00		25.85	12.10					
HMH72B341S	TL9E100C20UH11	21.0	XAF36D	High	1425	34.00	26.80	17.00	9.50	40.50	26.20	8.50	6.35	3.48	2.54
				Intermediate	1050	23.60	16.20		16.40						
				Low	1050	17.20	16.40		27.50	12.50					
HMH72B341S	TL9E100C20UH11	21.0	XAF30C	High	1250	33.40	25.40	17.00	10.00	39.50	26.40	8.50	6.00	3.38	2.62
				Intermediate	1025	22.80	16.20		16.05						
				Low	1025	16.80	16.40		26.65	12.30					
HMH72B341S	TL9E080C16UH11	21.0	XAHC36D	High	1275	34.00	25.80	17.00	9.50	39.00	25.40	8.50	6.50	3.32	2.48
				Intermediate	850	22.20	13.60		16.05						
				Low	850	16.50	14.10		28.45	11.60					
HMH72B341S	TL9E080C16UH11	21.0	XAHC30C	High	1275	32.40	24.80	17.00	9.50	39.00	26.40	8.50	6.65	3.28	2.54
				Intermediate	875	21.80	14.00		16.10						
				Low	875	16.00	14.30		28.05	11.50					
HMH72B341S	TL9E080C16UH11	21.0	XAF36D	High	1275	34.00	25.60	17.50	9.50	40.00	25.80	8.50	6.35	3.38	2.52
				Intermediate	875	22.80	14.20		16.50						
				Low	875	16.90	14.60		29.35	11.80					
HMH72B341S	TL9E080C16UH11	21.0	XAF30C	High	1125	33.00	24.40	17.00	10.00	39.00	26.20	8.50	6.15	3.28	2.58
				Intermediate	850	22.20	14.20		16.30						
				Low	850	16.30	14.40		28.20	11.70					
HMH72B341S	TL9E060B12UH11	21.0	XAHC36D	High	900	32.80	22.20	17.50	9.50	37.20	24.40	8.50	6.50	3.10	2.42
				Intermediate	600	21.00	10.90		15.80						
				Low	600	16.00	11.60		29.75	10.80					
HMH72B341S	TL9E060B12UH11	21.0	XAHC30C	High	1100	31.80	23.20	17.00	9.00	38.50	26.00	8.50	6.70	3.14	2.46
				Intermediate	650	21.00	11.60		16.10						
				Low	650	15.30	11.80		29.30	10.80					
HMH72B341S	TL9E060B12UH11	17.5	XAHB30C	High	900	31.60	21.80	16.50	9.50	37.20	25.20	8.50	6.50	3.06	2.46
				Intermediate	600	20.80	11.10		15.85						
				Low	600	15.10	11.20		28.50	10.70					
HMH72B341S	TL9E060B12UH11	21.0	XAF36D	High	1100	33.80	24.20	18.00	9.50	39.00	25.60	8.50	6.65	3.24	2.46
				Intermediate	650	21.60	11.60		16.40						
				Low	650	16.50	12.40		31.15	11.10					
HMH72B341S	TL9E060B12UH11	21.0	XAF30C	High	1125	32.60	24.00	17.50	9.50	39.50	26.40	8.50	6.65	3.22	2.52
				Intermediate	650	21.40	11.90		16.50						
				Low	650	15.70	12.10		30.05	11.00					



**Table 7: Furnace capacity - 3 ton - 34k**

Outdoor unit model	Furnace model	Furnace width (in.)	Indoor coil model	Stage	Rated CFM	Net cool (MBH)	Sens cool (MBH)	SEER2	EER2	Net47 (MBH)	Net17 (MBH)	HSPF2 IV	HSPF2 V	Cop47	Cop17
HMH72B341S	TL9E060B12UH11	17.5	XAFB36D	High	900	33.40	22.60	17.50	10.00	38.00	25.00	8.50	6.55	3.16	2.48
				Intermediate	600	21.40	11.10		16.10						
				Low	600	16.30	11.80		30.40						
HMH72B341S	TL9E060B12UH11	17.5	XAUB36D	High	900	33.40	22.60	17.50	10.00	38.00	25.00	8.50	6.55	3.16	2.48
				Intermediate	600	21.40	11.10		16.10						
				Low	600	16.30	11.80		30.40						
HMH72B341S	TL9E060B12UH11	17.5	XAFB30C	High	1125	32.60	24.00	17.50	9.50	39.50	26.40	8.50	6.65	3.22	2.52
				Intermediate	650	21.40	11.90		16.50						
				Low	650	15.70	12.10		30.05						
HMH72B341S	TL9E060B12UH11	17.5	XAUB30C	High	1125	32.60	24.00	17.50	9.50	39.50	26.40	8.50	6.65	3.22	2.52
				Intermediate	650	21.40	11.90		16.50						
				Low	650	15.70	12.10		30.05						
HMH72B341S	TL8E100C20UH11	21.0	XAHC36D	High	1425	34.00	26.60	17.00	9.50	39.50	25.60	8.50	6.55	3.42	2.52
				Intermediate	975	22.80	14.90		16.30						
				Low	975	16.80	15.40		28.45						
HMH72B341S	TL8E100C20UH11	21.0	XAHC30C	High	1225	32.60	24.80	17.00	9.50	38.50	25.80	8.50	6.05	3.30	2.56
				Intermediate	950	22.20	15.00		16.05						
				Low	950	16.20	15.10		27.50						
HMH72B341S	TL8E100C20UH11	21.0	XAFC36D	High	1225	34.00	25.40	17.50	10.00	39.50	25.40	8.50	6.00	3.42	2.56
				Intermediate	950	23.00	14.90		16.45						
				Low	950	17.10	15.50		28.60						
HMH72B341S	TL8E100C20UH11	21.0	XAFC30C	High	1250	33.40	25.40	17.50	10.00	39.50	26.40	8.50	5.85	3.40	2.62
				Intermediate	975	22.80	15.70		16.50						
				Low	975	16.70	15.80		28.40						
HMH72B341S	TL8E080C16UH11	21.0	XAHC36D	High	1375	34.00	26.20	17.00	9.00	39.50	25.80	8.50	6.60	3.34	2.46
				Intermediate	900	22.40	14.10		16.20						
				Low	900	16.60	14.60		28.65						
HMH72B341S	TL8E080C16UH11	21.0	XAHC30C	High	1225	32.40	24.60	17.00	9.50	39.00	26.00	8.50	6.55	3.26	2.54
				Intermediate	875	21.80	14.10		16.00						
				Low	875	16.00	14.30		27.70						
HMH72B341S	TL8E080C16UH11	21.0	XAFC36D	High	1225	34.00	25.40	17.50	10.00	39.50	25.60	8.50	6.35	3.38	2.54
				Intermediate	875	22.80	14.30		16.40						
				Low	875	16.90	14.70		28.95						
HMH72B341S	TL8E080C16UH11	21.0	XAFC30C	High	1250	33.20	25.20	17.50	9.50	39.50	26.60	8.50	6.15	3.36	2.60
				Intermediate	900	22.40	14.70		16.45						
				Low	900	16.50	15.00		28.60						
HMH72B341S	TL8E060A12UH11	17.5	XAHB36D	High	1050	33.20	23.60	17.50	9.50	38.00	25.00	8.50	6.70	3.16	2.44
				Intermediate	600	21.00	10.80		16.00						
				Low	600	16.10	11.60		30.70						
HMH72B341S	TL8E060A12UH11	17.5	XAHB30C	High	1075	32.00	23.20	17.50	9.50	38.00	25.80	8.50	6.50	3.16	2.48
				Intermediate	650	21.00	11.50		16.30						
				Low	650	15.40	11.80		30.10						
HMH72B341S	TL8E060A12UH11	17.5	XAFB36D	High	1100	34.00	24.60	18.00	10.00	39.00	25.40	8.50	6.45	3.28	2.50
				Intermediate	650	21.80	11.70		16.60						
				Low	650	16.50	12.30		32.00						
HMH72B341S	TL8E060A12UH11	17.5	XAUB36D	High	1100	34.00	24.60	18.00	10.00	39.00	25.40	8.50	6.45	3.28	2.50
				Intermediate	650	21.80	11.70		16.60						
				Low	650	16.50	12.30		32.00						
HMH72B341S	TL8E060A12UH11	17.5	XAFB30C	High	1100	32.80	24.00	18.00	9.50	39.00	26.20	8.50	6.35	3.24	2.54
				Intermediate	675	21.60	12.20		16.75						
				Low	675	15.80	12.40		31.10						
HMH72B341S	TL8E060A12UH11	17.5	XAUB30C	High	1100	32.80	24.00	18.00	9.50	39.00	26.20	8.50	6.35	3.24	2.54
				Intermediate	675	21.60	12.20		16.75						
				Low	675	15.80	12.40		31.10						
HMH72B341S	TM8Y060A12MP11	14.5	XAFA30D	High	950	33.60	23.20	17.50	10.00	38.50	25.20	8.50	6.55	3.18	2.48
				Intermediate	600	21.40	11.10		16.15						
				Low	600	16.40	11.90		30.60						
HMH72B341S	TM8V060A12MP12C	14.5	XAFA30D	High	1150	34.00	24.80	17.00	9.50	39.50	25.80	8.50	6.65	3.26	2.48
				Intermediate	775	22.20	13.10		15.95						
				Low	775	16.60	13.60		28.15						

**Table 7: Furnace capacity - 3 ton - 34k**

Outdoor unit model	Furnace model	Furnace width (in.)	Indoor coil model	Stage	Rated CFM	Net cool (MBH)	Sens cool (MBH)	SEER2	EER2	Net47 (MBH)	Net17 (MBH)	HSPF2 IV	HSPF2 V	Cop47	Cop17
HMH72B341S	TMLV060A12MP12C	14.5	XAFA30D	High	1150	34.00	24.80	17.00	9.50	39.50	25.80	8.50	6.65	3.26	2.48
				Intermediate	775	22.20	13.10		15.95						
				Low	775	16.60	13.60		28.15						
HMH72B341S	TPLC060A12MP13C	14.5	XAFA30D	High	1150	34.00	24.80	17.00	9.50	39.50	25.80	8.50	6.65	3.26	2.48
				Intermediate	775	22.20	13.10		15.95						
				Low	775	16.60	13.60		28.15						
HMH72B341S	YPLC060A12MP13C	14.5	XAFA30D	High	1150	34.00	24.80	17.00	9.50	39.50	25.80	8.50	6.65	3.26	2.48
				Intermediate	775	22.20	13.10		15.95						
				Low	775	16.60	13.60		28.15						
HMH72B341S	TM8E060A12MP11	14.5	XAFA30D	High	1050	33.80	24.00	17.50	9.50	39.00	25.40	8.50	6.55	3.22	2.48
				Intermediate	700	21.80	12.20		16.25						
				Low	700	16.60	12.90		29.90						
HMH72B341S	TMLE060A12MP11	14.5	XAFA30D	High	1050	33.80	24.00	17.50	9.50	39.00	25.40	8.50	6.55	3.22	2.48
				Intermediate	700	21.80	12.20		16.25						
				Low	700	16.60	12.90		29.90						
HMH72B341S	TM8E040A12MP11	14.5	XAFA30D	High	1025	33.80	23.80	18.00	10.00	38.50	25.20	8.50	6.55	3.22	2.48
				Intermediate	625	21.60	11.40		16.35						
				Low	625	16.50	12.20		31.20						
HMH72B341S	TMLE040A12MP11	14.5	XAFA30D	High	1025	33.80	23.80	18.00	10.00	38.50	25.20	8.50	6.55	3.22	2.48
				Intermediate	625	21.60	11.40		16.35						
				Low	625	16.50	12.20		31.20						
HMH72B341S	TL8E060A12UH11	14.5	XAFA30D	High	1050	33.80	24.00	18.00	9.50	39.00	25.40	8.50	6.65	3.22	2.48
				Intermediate	600	21.40	11.10		16.30						
				Low	600	16.40	11.80		31.30						
HMH72B341S	TM9Y120D20MP11	24.5	XAHD48F	High	1225	33.20	24.00	16.50	9.00	37.00	25.00	8.50	6.00	3.22	2.52
				Intermediate	900	22.00	13.30		15.50						
				Low	900	16.50	14.00		27.90						
HMH72B341S	TM9Y120D20MP11	24.5	XAFD48F	High	1225	34.00	24.60	16.50	9.50	37.80	25.40	8.50	5.55	3.28	2.56
				Intermediate	900	22.60	13.80		15.80						
				Low	900	16.90	14.30		28.55						
HMH72B341S	TM9Y100C16MP11	24.5	XAHD48F	High	1275	33.20	24.40	15.50	9.00	37.60	25.20	8.50	6.05	3.20	2.48
				Intermediate	925	22.00	13.60		15.10						
				Low	925	16.50	14.30		26.30						
HMH72B341S	TM9Y100C16MP11	21.0	XAHC48F	High	1275	33.20	24.40	17.00	9.00	37.60	25.20	8.50	6.35	3.20	2.48
				Intermediate	650	21.00	10.70		15.70						
				Low	650	16.00	11.30		30.80						
HMH72B341S	TM9Y100C16MP11	24.5	XAFD48F	High	1100	33.40	23.60	17.00	9.50	37.40	25.40	8.50	5.85	3.18	2.54
				Intermediate	600	21.00	10.40		15.65						
				Low	600	16.10	11.00		30.15						
HMH72B341S	TM9Y100C16MP11	21.0	XAFD48F	High	1250	33.80	24.60	17.50	9.00	38.00	25.80	8.50	6.15	3.24	2.52
				Intermediate	625	21.20	10.70		15.80						
				Low	625	16.20	11.30		30.75						
HMH72B341S	TM9Y100C16MP11	21.0	XAUC48F	High	1250	33.80	24.60	17.50	9.00	38.00	25.80	8.50	6.15	3.24	2.52
				Intermediate	625	21.20	10.70		15.80						
				Low	625	16.20	11.30		30.75						
HMH72B341S	TM9Y080C16MP11	24.5	XAHD48F	High	1125	32.80	23.20	17.00	9.00	36.80	25.00	8.50	6.05	3.14	2.50
				Intermediate	625	20.80	10.40		15.45						
				Low	625	15.90	11.10		29.95						
HMH72B341S	TM9Y080C16MP11	21.0	XAHC48F	High	1275	33.20	24.40	17.00	9.00	37.60	25.20	8.50	6.45	3.20	2.48
				Intermediate	675	21.00	10.90		15.60						
				Low	675	16.00	11.60		30.30						
HMH72B341S	TM9Y080C16MP11	24.5	XAFD48F	High	1125	33.40	23.60	17.50	9.50	37.40	25.40	8.50	5.85	3.20	2.54
				Intermediate	625	21.20	10.70		15.75						
				Low	625	16.20	11.30		30.55						
HMH72B341S	TM9Y080C16MP11	21.0	XAFD48F	High	1250	33.80	24.60	17.50	9.00	38.50	25.80	8.50	6.15	3.24	2.52
				Intermediate	650	21.40	11.00		15.90						
				Low	650	16.30	11.60		30.85						
HMH72B341S	TM9Y080C16MP11	21.0	XAUC48F	High	1250	33.80	24.60	17.50	9.00	38.50	25.80	8.50	6.15	3.24	2.52
				Intermediate	650	21.40	11.00		15.90						
				Low	650	16.30	11.60		30.85						

**Table 7: Furnace capacity - 3 ton - 34k**

Outdoor unit model	Furnace model	Furnace width (in.)	Indoor coil model	Stage	Rated CFM	Net cool (MBH)	Sens cool (MBH)	SEER2	EER2	Net47 (MBH)	Net17 (MBH)	HSPF2 IV	HSPF2 V	Cop47	Cop17
HMH72B341S	TM9Y080B12MP11	21.0	XAHC48F	High	1200	32.60	23.40	16.50	9.00	37.40	25.40	8.50	6.55	3.12	2.46
				Intermediate	750	21.40	11.80		15.50						
				Low	750	16.20	12.40		29.15						
HMH72B341S	TM9Y080B12MP11	21.0	XAFC48F	High	1200	33.40	24.00	17.00	9.00	38.00	25.80	8.50	6.05	3.18	2.50
				Intermediate	725	21.60	11.70		15.70						
				Low	725	16.40	12.40		29.40						
HMH72B341S	TM9Y080B12MP11	21.0	XAUC48F	High	1200	33.40	24.00	17.00	9.00	38.00	25.80	8.50	6.05	3.18	2.50
				Intermediate	725	21.60	11.70		15.70						
				Low	725	16.40	12.40		29.40						
HMH72B341S	TM9Y060B12MP11	21.0	XAHC48F	High	1125	32.40	22.80	16.50	9.00	37.20	25.40	8.50	6.65	3.06	2.44
				Intermediate	700	21.00	11.10		15.25						
				Low	700	16.00	11.90		28.50						
HMH72B341S	TM9Y060B12MP11	21.0	XAFC48F	High	1125	33.20	23.40	16.50	9.00	37.80	25.80	8.50	6.35	3.14	2.48
				Intermediate	675	21.40	11.30		15.45						
				Low	675	16.20	11.80		28.75						
HMH72B341S	TM9Y060B12MP11	21.0	XAUC48F	High	1125	33.20	23.40	16.50	9.00	37.80	25.80	8.50	6.35	3.14	2.48
				Intermediate	675	21.40	11.30		15.45						
				Low	675	16.20	11.80		28.75						
HMH72B341S	TM9V120D20MP12C	24.5	XAHD48F	High	1250	33.40	24.40	16.50	9.50	37.20	24.80	8.50	5.85	3.26	2.54
				Intermediate	800	21.60	12.30		15.40						
				Low	800	16.30	13.00		28.35						
HMH72B341S	TP9C120D20MP13C	24.5	XAHD48F	High	1250	33.40	24.40	16.50	9.50	37.20	24.80	8.50	5.85	3.26	2.54
				Intermediate	800	21.60	12.30		15.40						
				Low	800	16.30	13.00		28.35						
HMH72B341S	YP9C120D20MP13C	24.5	XAHD48F	High	1250	33.40	24.40	16.50	9.50	37.20	24.80	8.50	5.85	3.26	2.54
				Intermediate	800	21.60	12.30		15.40						
				Low	800	16.30	13.00		28.35						
HMH72B341S	TM9V120D20MP12C	24.5	XAFD48F	High	1250	34.00	24.80	17.00	9.50	37.80	25.40	8.50	5.65	3.32	2.58
				Intermediate	800	22.00	12.60		15.75						
				Low	800	16.60	13.20		29.05						
HMH72B341S	TP9C120D20MP13C	24.5	XAFD48F	High	1250	34.00	24.80	17.00	9.50	37.80	25.40	8.50	5.65	3.32	2.58
				Intermediate	800	22.00	12.60		15.75						
				Low	800	16.60	13.20		29.05						
HMH72B341S	YP9C120D20MP13C	24.5	XAFD48F	High	1250	34.00	24.80	17.00	9.50	37.80	25.40	8.50	5.65	3.32	2.58
				Intermediate	800	22.00	12.60		15.75						
				Low	800	16.60	13.20		29.05						
HMH72B341S	TM9V100C20MP12C	24.5	XAHD48F	High	1375	33.60	25.20	16.50	9.00	38.00	25.20	8.50	6.15	3.30	2.50
				Intermediate	825	21.60	12.50		15.35						
				Low	825	16.30	13.20		28.00						
HMH72B341S	TP9C100C20MP13C	24.5	XAHD48F	High	1375	33.60	25.20	16.50	9.00	38.00	25.20	8.50	6.15	3.30	2.50
				Intermediate	825	21.60	12.50		15.35						
				Low	825	16.30	13.20		28.00						
HMH72B341S	YP9C100C20MP13C	24.5	XAHD48F	High	1375	33.60	25.20	16.50	9.00	38.00	25.20	8.50	6.15	3.30	2.50
				Intermediate	825	21.60	12.50		15.35						
				Low	825	16.30	13.20		28.00						
HMH72B341S	TM9V100C20MP12C	21.0	XAHC48F	High	1250	33.20	24.20	17.00	9.00	37.20	25.00	8.50	6.00	3.24	2.52
				Intermediate	725	21.20	11.40		15.50						
				Low	725	16.10	12.10		29.40						
HMH72B341S	TP9C100C20MP13C	21.0	XAHC48F	High	1250	33.20	24.20	17.00	9.00	37.20	25.00	8.50	6.00	3.24	2.52
				Intermediate	725	21.20	11.40		15.50						
				Low	725	16.10	12.10		29.40						
HMH72B341S	TM9V100C20MP12C	24.5	XAFD48F	High	1375	34.00	25.40	16.50	9.00	38.50	25.60	8.50	5.70	3.36	2.56
				Intermediate	825	22.20	13.00		15.70						
				Low	825	16.70	13.50		28.60						
HMH72B341S	TP9C100C20MP13C	24.5	XAFD48F	High	1375	34.00	25.40	16.50	9.00	38.50	25.60	8.50	5.70	3.36	2.56
				Intermediate	825	22.20	13.00		15.70						
				Low	825	16.70	13.50		28.60						

**Table 7: Furnace capacity - 3 ton - 34k**

Outdoor unit model	Furnace model	Furnace width (in.)	Indoor coil model	Stage	Rated CFM	Net cool (MBH)	Sens cool (MBH)	SEER2	EER2	Net47 (MBH)	Net17 (MBH)	HSPF2 IV	HSPF2 V	Cop47	Cop17
HMH72B341S	YP9C100C20MP13C	24.5	XAFD48F	High	1375	34.00	25.40	16.50	9.00	38.50	25.60	8.50	5.70	3.36	2.56
				Intermediate	825	22.20	13.00		15.70						
				Low	825	16.70	13.50		28.60	11.60					
HMH72B341S	TM9V100C20MP12C	21.0	XAFC48F	High	1375	34.00	25.40	16.50	9.00	38.50	25.80	8.50	5.85	3.36	2.56
				Intermediate	825	22.20	13.00		15.70						
				Low	825	16.70	13.50		28.60	11.60					
HMH72B341S	TM9V100C20MP12C	21.0	XAUC48F	High	1375	34.00	25.40	16.50	9.00	38.50	25.80	8.50	5.85	3.36	2.56
				Intermediate	825	22.20	13.00		15.70						
				Low	825	16.70	13.50		28.60	11.60					
HMH72B341S	TP9C100C20MP13C	21.0	XAFC48F	High	1375	34.00	25.40	16.50	9.00	38.50	25.80	8.50	5.85	3.36	2.56
				Intermediate	825	22.20	13.00		15.70						
				Low	825	16.70	13.50		28.60	11.60					
HMH72B341S	TP9C100C20MP13C	21.0	XAUC48F	High	1375	34.00	25.40	16.50	9.00	38.50	25.80	8.50	5.85	3.36	2.56
				Intermediate	825	22.20	13.00		15.70						
				Low	825	16.70	13.50		28.60	11.60					
HMH72B341S	YP9C100C20MP13C	21.0	XAFC48F	High	1375	34.00	25.40	16.50	9.00	38.50	25.80	8.50	5.85	3.36	2.56
				Intermediate	825	22.20	13.00		15.70						
				Low	825	16.70	13.50		28.60	11.60					
HMH72B341S	YP9C100C20MP13C	21.0	XAUC48F	High	1375	34.00	25.40	16.50	9.00	38.50	25.80	8.50	5.85	3.36	2.56
				Intermediate	825	22.20	13.00		15.70						
				Low	825	16.70	13.50		28.60	11.60					
HMH72B341S	TM9V100C16MP12C	24.5	XAHD48F	High	1200	33.00	23.80	16.00	9.00	37.00	24.80	8.50	6.00	3.22	2.52
				Intermediate	800	21.60	12.40		15.20						
				Low	800	16.20	12.90		27.45	11.40					
HMH72B341S	TP9C100C16MP13C	24.5	XAHD48F	High	1200	33.00	23.80	16.00	9.00	37.00	24.80	8.50	6.00	3.22	2.52
				Intermediate	800	21.60	12.40		15.20						
				Low	800	16.20	12.90		27.45	11.40					
HMH72B341S	YP9C100C16MP13C	24.5	XAHD48F	High	1200	33.00	23.80	16.00	9.00	37.00	24.80	8.50	6.00	3.22	2.52
				Intermediate	800	21.60	12.40		15.20						
				Low	800	16.20	12.90		27.45	11.40					
HMH72B341S	TM9V100C16MP12C	21.0	XAHC48F	High	1200	33.00	23.80	16.50	9.00	37.00	24.80	8.50	5.85	3.22	2.52
				Intermediate	800	21.60	12.30		15.40						
				Low	800	16.30	13.00		28.25	11.30					
HMH72B341S	TP9C100C16MP13C	21.0	XAHC48F	High	1200	33.00	23.80	16.50	9.00	37.00	24.80	8.50	5.85	3.22	2.52
				Intermediate	800	21.60	12.30		15.40						
				Low	800	16.30	13.00		28.25	11.30					
HMH72B341S	YP9C100C16MP13C	21.0	XAHC48F	High	1200	33.00	23.80	16.50	9.00	37.00	24.80	8.50	5.85	3.22	2.52
				Intermediate	800	21.60	12.30		15.40						
				Low	800	16.30	13.00		28.25	11.30					
HMH72B341S	TM9V100C16MP12C	24.5	XAFD48F	High	1200	33.80	24.40	16.50	9.50	37.60	25.40	8.50	5.55	3.28	2.58
				Intermediate	800	22.00	12.60		15.55						
				Low	800	16.60	13.30		28.15	11.60					
HMH72B341S	TP9C100C16MP13C	24.5	XAFD48F	High	1200	33.80	24.40	16.50	9.50	37.60	25.40	8.50	5.55	3.28	2.58
				Intermediate	800	22.00	12.60		15.55						
				Low	800	16.60	13.30		28.15	11.60					
HMH72B341S	YP9C100C16MP13C	24.5	XAFD48F	High	1200	33.80	24.40	16.50	9.50	37.60	25.40	8.50	5.55	3.28	2.58
				Intermediate	800	22.00	12.60		15.55						
				Low	800	16.60	13.30		28.15	11.60					
HMH72B341S	TM9V100C16MP12C	21.0	XAFC48F	High	1200	33.80	24.40	16.50	9.50	37.80	25.40	8.50	5.55	3.28	2.56
				Intermediate	800	22.00	12.60		15.55						
				Low	800	16.60	13.30		28.15	11.60					
HMH72B341S	TM9V100C16MP12C	21.0	XAUC48F	High	1200	33.80	24.40	16.50	9.50	37.80	25.40	8.50	5.55	3.28	2.56
				Intermediate	800	22.00	12.60		15.55						
				Low	800	16.60	13.30		28.15	11.60					
HMH72B341S	TP9C100C16MP13C	21.0	XAFC48F	High	1200	33.80	24.40	16.50	9.50	37.80	25.40	8.50	5.55	3.28	2.56
				Intermediate	800	22.00	12.60		15.55						
				Low	800	16.60	13.30		28.15	11.60					
HMH72B341S	TP9C100C16MP13C	21.0	XAUC48F	High	1200	33.80	24.40	16.50	9.50	37.80	25.40	8.50	5.55	3.28	2.56
				Intermediate	800	22.00	12.60		15.55						
				Low	800	16.60	13.30		28.15	11.60					

**Table 7: Furnace capacity - 3 ton - 34k**

Outdoor unit model	Furnace model	Furnace width (in.)	Indoor coil model	Stage	Rated CFM	Net cool (MBH)	Sens cool (MBH)	SEER2	EER2	Net47 (MBH)	Net17 (MBH)	HSPF2 IV	HSPF2 V	Cop47	Cop17
HMH72B341S	YP9C100C16MP13C	21.0	XAFC48F	High	1200	33.80	24.40	16.50	9.50	37.80	25.40	8.50	5.55	3.28	2.56
				Intermediate	800	22.00	12.60		15.55						
				Low	800	16.60	13.30		28.15						
HMH72B341S	YP9C100C16MP13C	21.0	XAUC48F	High	1200	33.80	24.40	16.50	9.50	37.80	25.40	8.50	5.55	3.28	2.56
				Intermediate	800	22.00	12.60		15.55						
				Low	800	16.60	13.30		28.15						
HMH72B341S	TM9V080C16MP12C	24.5	XAHD48F	High	1125	32.60	23.00	16.00	9.00	36.80	25.00	8.50	6.15	3.14	2.50
				Intermediate	750	21.20	11.70		15.05						
				Low	750	16.10	12.40		27.15						
HMH72B341S	TP9C080C16MP13C	24.5	XAHD48F	High	1125	32.60	23.00	16.00	9.00	36.80	25.00	8.50	6.15	3.14	2.50
				Intermediate	750	21.20	11.70		15.05						
				Low	750	16.10	12.40		27.15						
HMH72B341S	YP9C080C16MP13C	24.5	XAHD48F	High	1125	32.60	23.00	16.00	9.00	36.80	25.00	8.50	6.15	3.14	2.50
				Intermediate	750	21.20	11.70		15.05						
				Low	750	16.10	12.40		27.15						
HMH72B341S	TM9V080C16MP12C	21.0	XAHC48F	High	1125	32.80	23.20	16.50	9.00	36.60	24.80	8.50	6.15	3.14	2.50
				Intermediate	750	21.40	11.90		15.20						
				Low	750	16.10	12.40		27.85						
HMH72B341S	TP9C080C16MP13C	21.0	XAHC48F	High	1125	32.80	23.20	16.50	9.00	36.60	24.80	8.50	6.15	3.14	2.50
				Intermediate	750	21.40	11.90		15.20						
				Low	750	16.10	12.40		27.85						
HMH72B341S	YP9C080C16MP13C	21.0	XAHC48F	High	1125	32.80	23.20	16.50	9.00	36.60	24.80	8.50	6.15	3.14	2.50
				Intermediate	750	21.40	11.90		15.20						
				Low	750	16.10	12.40		27.85						
HMH72B341S	TM9V080C16MP12C	24.5	XAFD48F	High	1125	33.40	23.60	16.50	9.50	37.40	25.40	8.50	5.70	3.20	2.54
				Intermediate	750	21.80	12.20		15.35						
				Low	750	16.40	12.70		27.80						
HMH72B341S	TP9C080C16MP13C	24.5	XAFD48F	High	1125	33.40	23.60	16.50	9.50	37.40	25.40	8.50	5.70	3.20	2.54
				Intermediate	750	21.80	12.20		15.35						
				Low	750	16.40	12.70		27.80						
HMH72B341S	YP9C080C16MP13C	24.5	XAFD48F	High	1125	33.40	23.60	16.50	9.50	37.40	25.40	8.50	5.70	3.20	2.54
				Intermediate	750	21.80	12.20		15.35						
				Low	750	16.40	12.70		27.80						
HMH72B341S	TM9V080C16MP12C	21.0	XAFC48F	High	1125	33.40	23.60	16.50	9.50	37.40	25.40	8.50	5.70	3.20	2.54
				Intermediate	750	21.80	12.20		15.40						
				Low	750	16.40	12.70		27.85						
HMH72B341S	TM9V080C16MP12C	21.0	XAUC48F	High	1125	33.40	23.60	16.50	9.50	37.40	25.40	8.50	5.70	3.20	2.54
				Intermediate	750	21.80	12.20		15.40						
				Low	750	16.40	12.70		27.85						
HMH72B341S	TP9C080C16MP13C	21.0	XAFC48F	High	1125	33.40	23.60	16.50	9.50	37.40	25.40	8.50	5.70	3.20	2.54
				Intermediate	750	21.80	12.20		15.40						
				Low	750	16.40	12.70		27.85						
HMH72B341S	YP9C080C16MP13C	21.0	XAFC48F	High	1125	33.40	23.60	16.50	9.50	37.40	25.40	8.50	5.70	3.20	2.54
				Intermediate	750	21.80	12.20		15.40						
				Low	750	16.40	12.70		27.85						
HMH72B341S	TM9V080C16MP12C	21.0	XAHC48F	High	1200	32.80	23.60	16.00	9.00	37.20	25.20	8.50	6.35	3.16	2.48
				Intermediate	775	21.40	12.00		15.25						
				Low	775	16.20	12.70		27.75						
HMH72B341S	TP9C080B12MP13C	21.0	XAHC48F	High	1200	32.80	23.60	16.00	9.00	37.20	25.20	8.50	6.35	3.16	2.48
				Intermediate	775	21.40	12.00		15.25						
				Low	775	16.20	12.70		27.75						
HMH72B341S	YP9C080B12MP13C	21.0	XAHC48F	High	1200	32.80	23.60	16.00	9.00	37.20	25.20	8.50	6.35	3.16	2.48
				Intermediate	775	21.40	12.00		15.25						
				Low	775	16.20	12.70		27.75						

**Table 7: Furnace capacity - 3 ton - 34k**

Outdoor unit model	Furnace model	Furnace width (in.)	Indoor coil model	Stage	Rated CFM	Net cool (MBH)	Sens cool (MBH)	SEER2	EER2	Net47 (MBH)	Net17 (MBH)	HSPF2 IV	HSPF2 V	Cop47	Cop17
HMH72B341S	TM9V080B12MP12C	21.0	XAFC48F	High	1200	33.40	24.00	16.50	9.00	38.00	25.60	8.50	6.00	3.22	2.52
				Intermediate	800	22.00	12.70		15.40						
				Low	800	16.50	13.20		27.60						
HMH72B341S	TM9V080B12MP12C	21.0	XAUC48F	High	1200	33.40	24.00	16.50	9.00	38.00	25.60	8.50	6.00	3.22	2.52
				Intermediate	800	22.00	12.70		15.40						
				Low	800	16.50	13.20		27.60						
HMH72B341S	TP9C080B12MP13C	21.0	XAFC48F	High	1200	33.40	24.00	16.50	9.00	38.00	25.60	8.50	6.00	3.22	2.52
				Intermediate	800	22.00	12.70		15.40						
				Low	800	16.50	13.20		27.60						
HMH72B341S	TP9C080B12MP13C	21.0	XAUC48F	High	1200	33.40	24.00	16.50	9.00	38.00	25.60	8.50	6.00	3.22	2.52
				Intermediate	800	22.00	12.70		15.40						
				Low	800	16.50	13.20		27.60						
HMH72B341S	YP9C080B12MP13C	21.0	XAFC48F	High	1200	33.40	24.00	16.50	9.00	38.00	25.60	8.50	6.00	3.22	2.52
				Intermediate	800	22.00	12.70		15.40						
				Low	800	16.50	13.20		27.60						
HMH72B341S	YP9C080B12MP13C	21.0	XAUC48F	High	1200	33.40	24.00	16.50	9.00	38.00	25.60	8.50	6.00	3.22	2.52
				Intermediate	800	22.00	12.70		15.40						
				Low	800	16.50	13.20		27.60						
HMH72B341S	TM9V060B12MP12C	21.0	XAHC48F	High	1125	32.40	22.80	16.00	9.00	37.00	25.20	8.50	6.45	3.10	2.46
				Intermediate	700	21.00	11.20		15.10						
				Low	700	16.00	11.90		27.85						
HMH72B341S	TP9C060B12MP13C	21.0	XAHC48F	High	1125	32.40	22.80	16.00	9.00	37.00	25.20	8.50	6.45	3.10	2.46
				Intermediate	700	21.00	11.20		15.10						
				Low	700	16.00	11.90		27.85						
HMH72B341S	YP9C060B12MP13C	21.0	XAHC48F	High	1125	32.40	22.80	16.00	9.00	37.00	25.20	8.50	6.45	3.10	2.46
				Intermediate	700	21.00	11.20		15.10						
				Low	700	16.00	11.90		27.85						
HMH72B341S	TM9V060B12MP12C	21.0	XAFC48F	High	1125	33.00	23.20	16.50	9.00	37.80	25.60	8.50	6.15	3.16	2.50
				Intermediate	700	21.40	11.50		15.25						
				Low	700	16.20	12.10		27.75						
HMH72B341S	TM9V060B12MP12C	21.0	XAUC48F	High	1125	33.00	23.20	16.50	9.00	37.80	25.60	8.50	6.15	3.16	2.50
				Intermediate	700	21.40	11.50		15.25						
				Low	700	16.20	12.10		27.75						
HMH72B341S	TP9C060B12MP13C	21.0	XAFC48F	High	1125	33.00	23.20	16.50	9.00	37.80	25.60	8.50	6.15	3.16	2.50
				Intermediate	700	21.40	11.50		15.25						
				Low	700	16.20	12.10		27.75						
HMH72B341S	TP9C060B12MP13C	21.0	XAUC48F	High	1125	33.00	23.20	16.50	9.00	37.80	25.60	8.50	6.15	3.16	2.50
				Intermediate	700	21.40	11.50		15.25						
				Low	700	16.20	12.10		27.75						
HMH72B341S	YP9C060B12MP13C	21.0	XAFC48F	High	1125	33.00	23.20	16.50	9.00	37.80	25.60	8.50	6.15	3.16	2.50
				Intermediate	700	21.40	11.50		15.25						
				Low	700	16.20	12.10		27.75						
HMH72B341S	YP9C060B12MP13C	21.0	XAUC48F	High	1125	33.00	23.20	16.50	9.00	37.80	25.60	8.50	6.15	3.16	2.50
				Intermediate	700	21.40	11.50		15.25						
				Low	700	16.20	12.10		27.75						
HMH72B341S	TM9E100C16MP12	24.5	XAHD48F	High	1125	32.80	23.20	16.50	9.00	36.60	24.80	8.50	6.15	3.14	2.50
				Intermediate	750	21.40	11.80		15.35						
				Low	750	16.10	12.40		28.50						
HMH72B341S	TM9E100C16MP12	21.0	XAHC48F	High	1125	32.80	23.20	16.50	9.00	36.60	24.80	8.50	6.15	3.16	2.50
				Intermediate	775	21.40	11.90		15.50						
				Low	775	16.20	12.60		28.95						
HMH72B341S	TM9E100C16MP12	24.5	XAFD48F	High	1125	33.40	23.60	17.00	9.50	37.40	25.40	8.50	5.70	3.22	2.56
				Intermediate	750	21.80	12.10		15.70						
				Low	750	16.50	12.70		29.10						
HMH72B341S	TM9E100C16MP12	21.0	XAFC48F	High	1125	33.40	23.60	17.00	9.50	37.40	25.40	8.50	5.70	3.22	2.56
				Intermediate	750	21.80	12.10		15.70						
				Low	750	16.50	12.70		29.10						
HMH72B341S	TM9E100C16MP12	21.0	XAUC48F	High	1125	33.40	23.60	17.00	9.50	37.40	25.40	8.50	5.70	3.22	2.56
				Intermediate	750	21.80	12.10		15.70						
				Low	750	16.50	12.70		29.10						

**Table 7: Furnace capacity - 3 ton - 34k**

Outdoor unit model	Furnace model	Furnace width (in.)	Indoor coil model	Stage	Rated CFM	Net cool (MBH)	Sens cool (MBH)	SEER2	EER2	Net47 (MBH)	Net17 (MBH)	HSPF2 IV	HSPF2 V	Cop47	Cop17
HMH72B341S	TM9E080C16MP12	24.5	XAHD48F	High	1425	33.60	25.40	16.50	9.00	38.50	25.60	8.50	6.55	3.26	2.46
				Intermediate	750	21.40	11.80		15.55						
				Low	750	16.20	12.40		29.40						
HMH72B341S	TM9E080C16MP12	21.0	XAHC48F	High	1425	33.60	25.40	17.00	9.00	38.50	25.60	8.50	6.55	3.26	2.46
				Intermediate	800	21.60	12.20		15.80						
				Low	800	16.40	13.00		30.00						
HMH72B341S	TM9E080C16MP12	24.5	XAFD48F	High	1425	34.00	25.60	17.00	9.00	39.50	26.00	8.50	6.05	3.32	2.50
				Intermediate	750	21.80	12.00		15.90						
				Low	750	16.50	12.60		30.05						
HMH72B341S	TM9E080C16MP12	21.0	XAFC48F	High	1425	34.00	25.60	17.00	9.00	39.00	26.00	8.50	6.05	3.34	2.52
				Intermediate	750	21.80	12.00		15.90						
				Low	750	16.50	12.60		30.05						
HMH72B341S	TM9E080C16MP12	21.0	XAUC48F	High	1425	34.00	25.60	17.00	9.00	39.00	26.00	8.50	6.05	3.34	2.52
				Intermediate	750	21.80	12.00		15.90						
				Low	750	16.50	12.60		30.05						
HMH72B341S	TM9E080B12MP12	21.0	XAHC48F	High	1125	32.60	23.00	16.50	9.00	36.80	25.00	8.50	6.05	3.12	2.48
				Intermediate	800	21.60	12.30		15.30						
				Low	800	16.20	12.90		27.85						
HMH72B341S	TM9E080B12MP12	21.0	XAFC48F	High	1125	33.20	23.40	16.50	9.00	37.60	25.60	8.50	6.00	3.18	2.52
				Intermediate	775	21.80	12.30		15.45						
				Low	775	16.50	13.00		28.00						
HMH72B341S	TM9E080B12MP12	21.0	XAUC48F	High	1125	33.20	23.40	16.50	9.00	37.60	25.60	8.50	6.00	3.18	2.52
				Intermediate	775	21.80	12.30		15.45						
				Low	775	16.50	13.00		28.00						
HMH72B341S	TM9E060B12MP12	21.0	XAHC48F	High	1125	32.40	22.80	16.00	9.00	37.00	25.20	8.50	6.55	3.08	2.46
				Intermediate	750	21.20	11.70		15.15						
				Low	750	16.10	12.40		27.60						
HMH72B341S	TM9E060B12MP12	21.0	XAFC48F	High	1125	33.20	23.40	16.50	9.00	37.80	25.80	8.50	6.05	3.14	2.50
				Intermediate	725	21.60	11.80		15.30						
				Low	725	16.30	12.40		27.85						
HMH72B341S	TM9E060B12MP12	21.0	XAUC48F	High	1125	33.20	23.40	16.50	9.00	37.80	25.80	8.50	6.05	3.14	2.50
				Intermediate	725	21.60	11.80		15.30						
				Low	725	16.30	12.40		27.85						
HMH72B341S	TM8Y120C20MP11	24.5	XAHD48F	High	1400	33.80	25.40	16.50	9.00	38.00	25.20	8.50	6.00	3.34	2.52
				Intermediate	975	22.40	14.10		15.65						
				Low	975	16.70	14.80		28.00						
HMH72B341S	TM8Y100C20MP11	24.5	XAHD48F	High	1400	33.80	25.40	16.50	9.00	38.00	25.20	8.50	6.00	3.34	2.52
				Intermediate	975	22.40	14.10		15.65						
				Low	975	16.70	14.80		28.00						
HMH72B341S	TM8Y120C20MP11	21.0	XAHC48F	High	1400	33.80	25.40	16.50	9.00	38.00	25.20	8.50	6.00	3.32	2.52
				Intermediate	1000	22.60	14.50		15.75						
				Low	1000	16.80	15.00		28.25						
HMH72B341S	TM8Y100C20MP11	21.0	XAHC48F	High	1400	33.80	25.40	16.50	9.00	38.00	25.20	8.50	6.00	3.32	2.52
				Intermediate	1000	22.60	14.50		15.75						
				Low	1000	16.80	15.00		28.25						
HMH72B341S	TM8Y120C20MP11	24.5	XAFD48F	High	1400	34.00	25.60	16.50	9.50	38.50	25.60	8.50	5.55	3.40	2.58
				Intermediate	975	23.00	14.60		15.95						
				Low	975	17.10	15.10		28.60						
HMH72B341S	TM8Y100C20MP11	24.5	XAFD48F	High	1400	34.00	25.60	16.50	9.50	38.50	25.60	8.50	5.55	3.40	2.58
				Intermediate	975	23.00	14.60		15.95						
				Low	975	17.10	15.10		28.60						
HMH72B341S	TM8Y120C20MP11	21.0	XAFC48F	High	1375	34.00	25.40	16.50	9.50	38.50	25.60	8.50	5.55	3.38	2.56
				Intermediate	975	23.00	14.60		15.95						
				Low	975	17.10	15.10		28.50						
HMH72B341S	TM8Y120C20MP11	21.0	XAUC48F	High	1375	34.00	25.40	16.50	9.50	38.50	25.60	8.50	5.55	3.38	2.56
				Intermediate	975	23.00	14.60		15.95						
				Low	975	17.10	15.10		28.50						
HMH72B341S	TM8Y100C20MP11	21.0	XAFC48F	High	1375	34.00	25.40	16.50	9.50	38.50	25.60	8.50	5.55	3.38	2.56
				Intermediate	975	23.00	14.60		15.95						
				Low	975	17.10	15.10		28.50						

**Table 7: Furnace capacity - 3 ton - 34k**

Outdoor unit model	Furnace model	Furnace width (in.)	Indoor coil model	Stage	Rated CFM	Net cool (MBH)	Sens cool (MBH)	SEER2	EER2	Net47 (MBH)	Net17 (MBH)	HSPF2 IV	HSPF2 V	Cop47	Cop17
HMH72B341S	TM8Y100C20MP11	21.0	XAUC48F	High	1375	34.00	25.40	16.50	9.50	38.50	25.60	8.50	5.55	3.38	2.56
				Intermediate	975	23.00	14.60		15.95						
				Low	975	17.10	15.10		28.50	12.10					
HMH72B341S	TM8Y100C16MP11	24.5	XAHD48F	High	1400	33.60	25.20	17.00	9.00	38.00	25.40	8.50	6.35	3.28	2.48
				Intermediate	750	21.40	11.70		15.75						
				Low	750	16.20	12.40		30.10	11.10					
HMH72B341S	TM8Y080C16MP11	24.5	XAHD48F	High	1400	33.60	25.20	17.00	9.00	38.00	25.40	8.50	6.35	3.28	2.48
				Intermediate	750	21.40	11.70		15.75						
				Low	750	16.20	12.40		30.10	11.10					
HMH72B341S	TM8Y100C16MP11	21.0	XAHC48F	High	1400	33.60	25.20	17.00	9.00	38.00	25.40	8.50	6.05	3.28	2.48
				Intermediate	800	21.80	12.40		16.00						
				Low	800	16.40	12.90		30.85	11.20					
HMH72B341S	TM8Y080C16MP11	21.0	XAHC48F	High	1400	33.60	25.20	17.00	9.00	38.00	25.40	8.50	6.05	3.28	2.48
				Intermediate	800	21.80	12.40		16.00						
				Low	800	16.40	12.90		30.85	11.20					
HMH72B341S	TM8Y100C16MP11	24.5	XAFD48F	High	1400	34.00	25.60	17.50	9.00	39.00	25.80	8.50	6.00	3.34	2.54
				Intermediate	750	21.80	12.00		16.05						
				Low	750	16.60	12.70		30.75	11.30					
HMH72B341S	TM8Y080C16MP11	24.5	XAFD48F	High	1400	34.00	25.60	17.50	9.00	39.00	25.80	8.50	6.00	3.34	2.54
				Intermediate	750	21.80	12.00		16.05						
				Low	750	16.60	12.70		30.75	11.30					
HMH72B341S	TM8Y100C16MP11	21.0	XAFD48F	High	1400	34.00	25.60	17.50	9.00	39.00	25.80	8.50	6.00	3.34	2.54
				Intermediate	750	21.80	12.00		16.10						
				Low	750	16.60	12.70		30.80	11.30					
HMH72B341S	TM8Y100C16MP11	21.0	XAUC48F	High	1400	34.00	25.60	17.50	9.00	39.00	25.80	8.50	6.00	3.34	2.54
				Intermediate	750	21.80	12.00		16.10						
				Low	750	16.60	12.70		30.80	11.30					
HMH72B341S	TM8Y080C16MP11	21.0	XAFC48F	High	1400	34.00	25.60	17.50	9.00	39.00	25.80	8.50	6.00	3.34	2.54
				Intermediate	750	21.80	12.00		16.10						
				Low	750	16.60	12.70		30.80	11.30					
HMH72B341S	TM8Y100C16MP11	21.0	XAUC48F	High	1400	34.00	25.60	17.50	9.00	39.00	25.80	8.50	6.00	3.34	2.54
				Intermediate	750	21.80	12.00		16.10						
				Low	750	16.60	12.70		30.80	11.30					
HMH72B341S	TM8Y080C16MP11	21.0	XAFC48F	High	1400	34.00	25.60	17.50	9.00	39.00	25.80	8.50	6.00	3.34	2.54
				Intermediate	750	21.80	12.00		16.10						
				Low	750	16.60	12.70		30.80	11.30					
HMH72B341S	TM8Y080C16MP11	21.0	XAUC48F	High	1400	34.00	25.60	17.50	9.00	39.00	25.80	8.50	6.00	3.34	2.54
				Intermediate	750	21.80	12.00		16.10						
				Low	750	16.60	12.70		30.80	11.30					
HMH72B341S	TM8Y080B12MP11	21.0	XAHC48F	High	1075	32.60	22.80	17.00	9.00	36.40	24.80	8.50	6.15	3.12	2.50
				Intermediate	700	21.20	11.30		15.50						
				Low	700	16.00	11.80		29.45	11.00					
HMH72B341S	TM8Y080B12MP11	21.0	XAFC48F	High	1050	33.20	23.20	17.00	9.50	37.20	25.40	8.50	5.85	3.14	2.54
				Intermediate	675	21.40	11.20		15.65						
				Low	675	16.30	11.90		29.55	11.20					
HMH72B341S	TM8Y080B12MP11	21.0	XAUC48F	High	1050	33.20	23.20	17.00	9.50	37.20	25.40	8.50	5.85	3.14	2.54
				Intermediate	675	21.40	11.20		15.65						
				Low	675	16.30	11.90		29.55	11.20					
HMH72B341S	TM8V120C20MP12C	21.0	XAHC48F	High	1425	33.80	25.60	16.50	9.00	38.00	25.20	8.50	6.00	3.34	2.52
				Intermediate	975	22.40	14.10		15.65						
				Low	975	16.70	14.80		28.05	11.80					
HMH72B341S	TM8V100C20MP12C	21.0	XAHC48F	High	1425	33.80	25.60	16.50	9.00	38.00	25.20	8.50	6.00	3.34	2.52
				Intermediate	975	22.40	14.10		15.65						
				Low	975	16.70	14.80		28.05	11.80					
HMH72B341S	TMLV120C20MP12C	21.0	XAHC48F	High	1425	33.80	25.60	16.50	9.00	38.00	25.20	8.50	6.00	3.34	2.52
				Intermediate	975	22.40	14.10		15.65						
				Low	975	16.70	14.80		28.05	11.80					
HMH72B341S	TPLC100C20MP13C	21.0	XAHC48F	High	1425	33.80	25.60	16.50	9.00	38.00	25.20	8.50	6.00	3.34	2.52
				Intermediate	975	22.40	14.10		15.65						
				Low	975	16.70	14.80		28.05	11.80					
HMH72B341S	TPLC120C20MP13C	21.0	XAHC48F	High	1425	33.80	25.60	16.50	9.00	38.00	25.20	8.50	6.00	3.34	2.52
				Intermediate	975	22.40	14.10		15.65						
				Low	975	16.70	14.80		28.05	11.80					
HMH72B341S	YPLC100C20MP13C	21.0	XAHC48F	High	1425	33.80	25.60	16.50	9.00	38.00	25.20	8.50	6.00	3.34	2.52
				Intermediate	975	22.40	14.10		15.65						
				Low	975	16.70	14.80		28.05	11.80					



**Table 7: Furnace capacity - 3 ton - 34k**

Outdoor unit model	Furnace model	Furnace width (in.)	Indoor coil model	Stage	Rated CFM	Net cool (MBH)	Sens cool (MBH)	SEER2	EER2	Net47 (MBH)	Net17 (MBH)	HSPF2 IV	HSPF2 V	Cop47	Cop17
HMH72B341S	YPLC120C20MP13C	21.0	XAHC48F	High	1425	33.80	25.60	16.50	9.00	38.00	25.20	8.50	6.00	3.34	2.52
				Intermediate	975	22.40	14.10		15.65						
				Low	975	16.70	14.80		28.05						
HMH72B341S	TM8V100C16MP12C	24.5	XAHD48F	High	1400	33.60	25.20	16.00	9.00	38.00	25.20	8.50	6.05	3.30	2.50
				Intermediate	875	21.80	13.00		15.30						
				Low	875	16.40	13.70		27.45						
HMH72B341S	TM8V080C16MP12C	24.5	XAHD48F	High	1400	33.60	25.20	16.00	9.00	38.00	25.20	8.50	6.05	3.30	2.50
				Intermediate	875	21.80	13.00		15.30						
				Low	875	16.40	13.70		27.45						
HMH72B341S	TMLV100C16MP12C	24.5	XAHD48F	High	1400	33.60	25.20	16.00	9.00	38.00	25.20	8.50	6.05	3.30	2.50
				Intermediate	875	21.80	13.00		15.30						
				Low	875	16.40	13.70		27.45						
HMH72B341S	TPLC080C16MP13C	24.5	XAHD48F	High	1400	33.60	25.20	16.00	9.00	38.00	25.20	8.50	6.05	3.30	2.50
				Intermediate	875	21.80	13.00		15.30						
				Low	875	16.40	13.70		27.45						
HMH72B341S	TPLC100C16MP13C	24.5	XAHD48F	High	1400	33.60	25.20	16.00	9.00	38.00	25.20	8.50	6.05	3.30	2.50
				Intermediate	875	21.80	13.00		15.30						
				Low	875	16.40	13.70		27.45						
HMH72B341S	YPLC080C16MP13C	24.5	XAHD48F	High	1400	33.60	25.20	16.00	9.00	38.00	25.20	8.50	6.05	3.30	2.50
				Intermediate	875	21.80	13.00		15.30						
				Low	875	16.40	13.70		27.45						
HMH72B341S	YPLC100C16MP13C	24.5	XAHD48F	High	1400	33.60	25.20	16.00	9.00	38.00	25.20	8.50	6.05	3.30	2.50
				Intermediate	875	21.80	13.00		15.30						
				Low	875	16.40	13.70		27.45						
HMH72B341S	TM8V100C16MP12C	21.0	XAHC48F	High	1400	33.60	25.20	16.50	9.00	38.00	25.40	8.50	6.05	3.30	2.50
				Intermediate	875	22.00	13.20		15.45						
				Low	875	16.50	13.80		28.10						
HMH72B341S	TM8V080C16MP12C	21.0	XAHC48F	High	1400	33.60	25.20	16.50	9.00	38.00	25.40	8.50	6.05	3.30	2.50
				Intermediate	875	22.00	13.20		15.45						
				Low	875	16.50	13.80		28.10						
HMH72B341S	TMLV100C16MP12C	21.0	XAHC48F	High	1400	33.60	25.20	16.50	9.00	38.00	25.40	8.50	6.05	3.30	2.50
				Intermediate	875	22.00	13.20		15.45						
				Low	875	16.50	13.80		28.10						
HMH72B341S	TPLC080C16MP13C	21.0	XAHC48F	High	1400	33.60	25.20	16.50	9.00	38.00	25.40	8.50	6.05	3.30	2.50
				Intermediate	875	22.00	13.20		15.45						
				Low	875	16.50	13.80		28.10						
HMH72B341S	TPLC100C16MP13C	21.0	XAHC48F	High	1400	33.60	25.20	16.50	9.00	38.00	25.40	8.50	6.05	3.30	2.50
				Intermediate	875	22.00	13.20		15.45						
				Low	875	16.50	13.80		28.10						
HMH72B341S	YPLC080C16MP13C	21.0	XAHC48F	High	1400	33.60	25.20	16.50	9.00	38.00	25.40	8.50	6.05	3.30	2.50
				Intermediate	875	22.00	13.20		15.45						
				Low	875	16.50	13.80		28.10						
HMH72B341S	YPLC100C16MP13C	21.0	XAHC48F	High	1400	33.60	25.20	16.50	9.00	38.00	25.40	8.50	6.05	3.30	2.50
				Intermediate	875	22.00	13.20		15.45						
				Low	875	16.50	13.80		28.10						
HMH72B341S	TM8V100C16MP12C	24.5	XAFD48F	High	1400	34.00	25.60	16.50	9.00	39.00	25.80	8.50	5.85	3.38	2.56
				Intermediate	875	22.40	13.50		15.65						
				Low	875	16.80	14.10		28.15						
HMH72B341S	TM8V080C16MP12C	24.5	XAFD48F	High	1400	34.00	25.60	16.50	9.00	39.00	25.80	8.50	5.85	3.38	2.56
				Intermediate	875	22.40	13.50		15.65						
				Low	875	16.80	14.10		28.15						
HMH72B341S	TMLV100C16MP12C	24.5	XAFD48F	High	1400	34.00	25.60	16.50	9.00	39.00	25.80	8.50	5.85	3.38	2.56
				Intermediate	875	22.40	13.50		15.65						
				Low	875	16.80	14.10		28.15						
HMH72B341S	TPLC080C16MP13C	24.5	XAFD48F	High	1400	34.00	25.60	16.50	9.00	39.00	25.80	8.50	5.85	3.38	2.56
				Intermediate	875	22.40	13.50		15.65						
				Low	875	16.80	14.10		28.15						
HMH72B341S	TPLC100C16MP13C	24.5	XAFD48F	High	1400	34.00	25.60	16.50	9.00	39.00	25.80	8.50	5.85	3.38	2.56
				Intermediate	875	22.40	13.50		15.65						
				Low	875	16.80	14.10		28.15						

**Table 7: Furnace capacity - 3 ton - 34k**

Outdoor unit model	Furnace model	Furnace width (in.)	Indoor coil model	Stage	Rated CFM	Net cool (MBH)	Sens cool (MBH)	SEER2	EER2	Net47 (MBH)	Net17 (MBH)	HSPF2 IV	HSPF2 V	Cop47	Cop17
HMH72B341S	YPLC080C16MP13C	24.5	XAFD48F	High	1400	34.00	25.60	16.50	9.00	39.00	25.80	8.50	5.85	3.38	2.56
				Intermediate	875	22.40	13.50		15.65						
				Low	875	16.80	14.10		28.15						
HMH72B341S	YPLC100C16MP13C	24.5	XAFD48F	High	1400	34.00	25.60	16.50	9.00	39.00	25.80	8.50	5.85	3.38	2.56
				Intermediate	875	22.40	13.50		15.65						
				Low	875	16.80	14.10		28.15						
HMH72B341S	TM8V100C16MP12C	21.0	XAFD48F	High	1400	34.00	25.60	16.50	9.00	39.00	25.80	8.50	5.85	3.36	2.54
				Intermediate	875	22.40	13.50		15.65						
				Low	875	16.80	14.10		28.10						
HMH72B341S	TM8V100C16MP12C	21.0	XAUC48F	High	1400	34.00	25.60	16.50	9.00	39.00	25.80	8.50	5.85	3.36	2.54
				Intermediate	875	22.40	13.50		15.65						
				Low	875	16.80	14.10		28.10						
HMH72B341S	TM8V080C16MP12C	21.0	XAFD48F	High	1400	34.00	25.60	16.50	9.00	39.00	25.80	8.50	5.85	3.36	2.54
				Intermediate	875	22.40	13.50		15.65						
				Low	875	16.80	14.10		28.10						
HMH72B341S	TM8V080C16MP12C	21.0	XAUC48F	High	1400	34.00	25.60	16.50	9.00	39.00	25.80	8.50	5.85	3.36	2.54
				Intermediate	875	22.40	13.50		15.65						
				Low	875	16.80	14.10		28.10						
HMH72B341S	TMLV100C16MP12C	21.0	XAFD48F	High	1400	34.00	25.60	16.50	9.00	39.00	25.80	8.50	5.85	3.36	2.54
				Intermediate	875	22.40	13.50		15.65						
				Low	875	16.80	14.10		28.10						
HMH72B341S	TMLV100C16MP12C	21.0	XAUC48F	High	1400	34.00	25.60	16.50	9.00	39.00	25.80	8.50	5.85	3.36	2.54
				Intermediate	875	22.40	13.50		15.65						
				Low	875	16.80	14.10		28.10						
HMH72B341S	TPLC080C16MP13C	21.0	XAFD48F	High	1400	34.00	25.60	16.50	9.00	39.00	25.80	8.50	5.85	3.36	2.54
				Intermediate	875	22.40	13.50		15.65						
				Low	875	16.80	14.10		28.10						
HMH72B341S	TPLC080C16MP13C	21.0	XAUC48F	High	1400	34.00	25.60	16.50	9.00	39.00	25.80	8.50	5.85	3.36	2.54
				Intermediate	875	22.40	13.50		15.65						
				Low	875	16.80	14.10		28.10						
HMH72B341S	TPLC100C16MP13C	21.0	XAFD48F	High	1400	34.00	25.60	16.50	9.00	39.00	25.80	8.50	5.85	3.36	2.54
				Intermediate	875	22.40	13.50		15.65						
				Low	875	16.80	14.10		28.10						
HMH72B341S	TPLC100C16MP13C	21.0	XAUC48F	High	1400	34.00	25.60	16.50	9.00	39.00	25.80	8.50	5.85	3.36	2.54
				Intermediate	875	22.40	13.50		15.65						
				Low	875	16.80	14.10		28.10						
HMH72B341S	YPLC080C16MP13C	21.0	XAFD48F	High	1400	34.00	25.60	16.50	9.00	39.00	25.80	8.50	5.85	3.36	2.54
				Intermediate	875	22.40	13.50		15.65						
				Low	875	16.80	14.10		28.10						
HMH72B341S	YPLC080C16MP13C	21.0	XAUC48F	High	1400	34.00	25.60	16.50	9.00	39.00	25.80	8.50	5.85	3.36	2.54
				Intermediate	875	22.40	13.50		15.65						
				Low	875	16.80	14.10		28.10						
HMH72B341S	YPLC100C16MP13C	21.0	XAFD48F	High	1400	34.00	25.60	16.50	9.00	39.00	25.80	8.50	5.85	3.36	2.54
				Intermediate	875	22.40	13.50		15.65						
				Low	875	16.80	14.10		28.10						
HMH72B341S	YPLC100C16MP13C	21.0	XAUC48F	High	1400	34.00	25.60	16.50	9.00	39.00	25.80	8.50	5.85	3.36	2.54
				Intermediate	875	22.40	13.50		15.65						
				Low	875	16.80	14.10		28.10						
HMH72B341S	TM8V080B12MP12C	21.0	XAHC48F	High	1125	32.40	22.80	16.00	8.50	37.00	25.20	8.50	6.55	3.08	2.44
				Intermediate	725	21.20	11.60		14.95						
				Low	725	16.00	12.10		27.10						
HMH72B341S	TPLC080B12MP13C	21.0	XAHC48F	High	1125	32.40	22.80	16.00	8.50	37.00	25.20	8.50	6.55	3.08	2.44
				Intermediate	725	21.20	11.60		14.95						
				Low	725	16.00	12.10		27.10						
HMH72B341S	YPLC080B12MP13C	21.0	XAHC48F	High	1125	32.40	22.80	16.00	8.50	37.00	25.20	8.50	6.55	3.08	2.44
				Intermediate	725	21.20	11.60		14.95						
				Low	725	16.00	12.10		27.10						
HMH72B341S	TM8V080B12MP12C	21.0	XAFD48F	High	1125	33.00	23.20	16.00	9.00	37.80	25.80	8.50	6.05	3.14	2.48
				Intermediate	725	21.60	11.90		15.10						
				Low	725	16.30	12.40		27.05						

**Table 7: Furnace capacity - 3 ton - 34k**

Outdoor unit model	Furnace model	Furnace width (in.)	Indoor coil model	Stage	Rated CFM	Net cool (MBH)	Sens cool (MBH)	SEER2	EER2	Net47 (MBH)	Net17 (MBH)	HSPF2 IV	HSPF2 V	Cop47	Cop17
HMH72B341S	TM8V080B12MP12C	21.0	XAUC48F	High	1125	33.00	23.20	16.00	9.00	37.80	25.80	8.50	6.05	3.14	2.48
				Intermediate	725	21.60	11.90		15.10						
				Low	725	16.30	12.40		27.05						
HMH72B341S	TPLC080B12MP13C	21.0	XAFC48F	High	1125	33.00	23.20	16.00	9.00	37.80	25.80	8.50	6.05	3.14	2.48
				Intermediate	725	21.60	11.90		15.10						
				Low	725	16.30	12.40		27.05						
HMH72B341S	TPLC080B12MP13C	21.0	XAUC48F	High	1125	33.00	23.20	16.00	9.00	37.80	25.80	8.50	6.05	3.14	2.48
				Intermediate	725	21.60	11.90		15.10						
				Low	725	16.30	12.40		27.05						
HMH72B341S	YPLC080B12MP13C	21.0	XAFC48F	High	1125	33.00	23.20	16.00	9.00	37.80	25.80	8.50	6.05	3.14	2.48
				Intermediate	725	21.60	11.90		15.10						
				Low	725	16.30	12.40		27.05						
HMH72B341S	YPLC080B12MP13C	21.0	XAUC48F	High	1125	33.00	23.20	16.00	9.00	37.80	25.80	8.50	6.05	3.14	2.48
				Intermediate	725	21.60	11.90		15.10						
				Low	725	16.30	12.40		27.05						
HMH72B341S	TM8E120C16MP11	24.5	XAHD48F	High	1150	33.00	23.60	16.50	9.50	36.80	24.80	8.50	6.00	3.18	2.52
				Intermediate	775	21.40	11.90		15.50						
				Low	775	16.20	12.60		28.85						
HMH72B341S	TMLE120C16MP11	24.5	XAHD48F	High	1150	33.00	23.60	16.50	9.50	36.80	24.80	8.50	6.00	3.18	2.52
				Intermediate	775	21.40	11.90		15.50						
				Low	775	16.20	12.60		28.85						
HMH72B341S	TM8E120C16MP11	21.0	XAHC48F	High	1150	33.00	23.60	17.00	9.50	36.80	24.80	8.50	5.85	3.18	2.52
				Intermediate	800	21.60	12.30		15.65						
				Low	800	16.30	12.90		29.25						
HMH72B341S	TMLE120C16MP11	21.0	XAHC48F	High	1150	33.00	23.60	17.00	9.50	36.80	24.80	8.50	5.85	3.18	2.52
				Intermediate	800	21.60	12.30		15.65						
				Low	800	16.30	12.90		29.25						
HMH72B341S	TM8E120C16MP11	24.5	XAFD48F	High	1150	33.60	24.00	17.00	9.50	37.40	25.20	8.50	5.55	3.24	2.56
				Intermediate	775	22.00	12.40		15.80						
				Low	775	16.60	13.00		29.50						
HMH72B341S	TMLE120C16MP11	24.5	XAFD48F	High	1150	33.60	24.00	17.00	9.50	37.40	25.20	8.50	5.55	3.24	2.56
				Intermediate	775	22.00	12.40		15.80						
				Low	775	16.60	13.00		29.50						
HMH72B341S	TM8E120C16MP11	21.0	XAFC48F	High	1150	33.60	24.00	17.00	9.50	37.40	25.40	8.50	5.55	3.24	2.56
				Intermediate	775	22.00	12.40		15.80						
				Low	775	16.60	13.00		29.50						
HMH72B341S	TM8E120C16MP11	21.0	XAUC48F	High	1150	33.60	24.00	17.00	9.50	37.40	25.40	8.50	5.55	3.24	2.56
				Intermediate	775	22.00	12.40		15.80						
				Low	775	16.60	13.00		29.50						
HMH72B341S	TMLE120C16MP11	21.0	XAFC48F	High	1150	33.60	24.00	17.00	9.50	37.40	25.40	8.50	5.55	3.24	2.56
				Intermediate	775	22.00	12.40		15.80						
				Low	775	16.60	13.00		29.50						
HMH72B341S	TMLE120C16MP11	21.0	XAUC48F	High	1150	33.60	24.00	17.00	9.50	37.40	25.40	8.50	5.55	3.24	2.56
				Intermediate	775	22.00	12.40		15.80						
				Low	775	16.60	13.00		29.50						
HMH72B341S	TM8E100C16MP11	24.5	XAHD48F	High	1125	32.80	23.20	16.50	9.50	36.60	24.80	8.50	6.15	3.16	2.50
				Intermediate	750	21.40	11.80		15.40						
				Low	750	16.10	12.30		28.70						
HMH72B341S	TMLE100C16MP11	24.5	XAHD48F	High	1125	32.80	23.20	16.50	9.50	36.60	24.80	8.50	6.15	3.16	2.50
				Intermediate	750	21.40	11.80		15.40						
				Low	750	16.10	12.30		28.70						
HMH72B341S	TM8E100C16MP11	21.0	XAHC48F	High	1150	33.00	23.60	17.00	9.50	36.80	24.80	8.50	6.00	3.18	2.52
				Intermediate	800	21.60	12.30		15.65						
				Low	800	16.30	12.90		29.30						
HMH72B341S	TMLE100C16MP11	21.0	XAHC48F	High	1150	33.00	23.60	17.00	9.50	36.80	24.80	8.50	6.00	3.18	2.52
				Intermediate	800	21.60	12.30		15.65						
				Low	800	16.30	12.90		29.30						
HMH72B341S	TM8E100C16MP11	24.5	XAFD48F	High	1150	33.60	24.00	17.00	9.50	37.40	25.40	8.50	5.55	3.24	2.56
				Intermediate	750	21.80	12.10		15.75						
				Low	750	16.50	12.70		29.35						

**Table 7: Furnace capacity - 3 ton - 34k**

Outdoor unit model	Furnace model	Furnace width (in.)	Indoor coil model	Stage	Rated CFM	Net cool (MBH)	Sens cool (MBH)	SEER2	EER2	Net47 (MBH)	Net17 (MBH)	HSPF2 IV	HSPF2 V	Cop47	Cop17
HMH72B341S	TMLE100C16MP11	24.5	XAFD48F	High	1150	33.60	24.00	17.00	9.50	37.40	25.40	8.50	5.55	3.24	2.56
				Intermediate	750	21.80	12.10		15.75						
				Low	750	16.50	12.70		29.35	11.40					
HMH72B341S	TM8E100C16MP11	21.0	X AFC48F	High	1125	33.60	23.80	17.00	9.50	37.40	25.40	8.50	5.70	3.22	2.56
				Intermediate	750	21.80	12.10		15.75						
				Low	750	16.50	12.70		29.35	11.40					
HMH72B341S	TM8E100C16MP11	21.0	XAUC48F	High	1125	33.60	23.80	17.00	9.50	37.40	25.40	8.50	5.70	3.22	2.56
				Intermediate	750	21.80	12.10		15.75						
				Low	750	16.50	12.70		29.35	11.40					
HMH72B341S	TMLE100C16MP11	21.0	X AFC48F	High	1125	33.60	23.80	17.00	9.50	37.40	25.40	8.50	5.70	3.22	2.56
				Intermediate	750	21.80	12.10		15.75						
				Low	750	16.50	12.70		29.35	11.40					
HMH72B341S	TMLE100C16MP11	21.0	XAUC48F	High	1125	33.60	23.80	17.00	9.50	37.40	25.40	8.50	5.70	3.22	2.56
				Intermediate	750	21.80	12.10		15.75						
				Low	750	16.50	12.70		29.35	11.40					
HMH72B341S	TM8E100B12MP11	21.0	XAHC48F	High	1125	32.60	23.00	17.00	9.00	36.80	25.00	8.50	6.05	3.14	2.50
				Intermediate	725	21.20	11.40		15.50						
				Low	725	16.10	12.10		29.30	11.10					
HMH72B341S	TMLE100B12MP11	21.0	XAHC48F	High	1125	32.60	23.00	17.00	9.00	36.80	25.00	8.50	6.05	3.14	2.50
				Intermediate	725	21.20	11.40		15.50						
				Low	725	16.10	12.10		29.30	11.10					
HMH72B341S	TM8E100B12MP11	21.0	X AFC48F	High	1125	33.40	23.60	17.00	9.50	37.60	25.40	8.50	5.85	3.20	2.54
				Intermediate	700	21.60	11.60		15.70						
				Low	700	16.40	12.20		29.50	11.30					
HMH72B341S	TM8E100B12MP11	21.0	XAUC48F	High	1125	33.40	23.60	17.00	9.50	37.60	25.40	8.50	5.85	3.20	2.54
				Intermediate	700	21.60	11.60		15.70						
				Low	700	16.40	12.20		29.50	11.30					
HMH72B341S	TMLE100B12MP11	21.0	X AFC48F	High	1125	33.40	23.60	17.00	9.50	37.60	25.40	8.50	5.85	3.20	2.54
				Intermediate	700	21.60	11.60		15.70						
				Low	700	16.40	12.20		29.50	11.30					
HMH72B341S	TMLE100B12MP11	21.0	XAUC48F	High	1125	33.40	23.60	17.00	9.50	37.60	25.40	8.50	5.85	3.20	2.54
				Intermediate	700	21.60	11.60		15.70						
				Low	700	16.40	12.20		29.50	11.30					
HMH72B341S	TM8E080C16MP11	24.5	XAHD48F	High	1100	32.80	23.20	16.50	9.50	36.60	24.80	8.50	6.00	3.14	2.52
				Intermediate	775	21.40	12.00		15.40						
				Low	775	16.20	12.70		28.50	11.30					
HMH72B341S	TMLE080C16MP11	24.5	XAHD48F	High	1100	32.80	23.20	16.50	9.50	36.60	24.80	8.50	6.00	3.14	2.52
				Intermediate	775	21.40	12.00		15.40						
				Low	775	16.20	12.70		28.50	11.30					
HMH72B341S	TM8E080C16MP11	21.0	XAHC48F	High	1125	32.80	23.20	16.50	9.50	36.60	24.80	8.50	5.85	3.16	2.52
				Intermediate	800	21.60	12.30		15.55						
				Low	800	16.30	12.90		28.95	11.30					
HMH72B341S	TMLE080C16MP11	21.0	XAHC48F	High	1125	32.80	23.20	16.50	9.50	36.60	24.80	8.50	5.85	3.16	2.52
				Intermediate	800	21.60	12.30		15.55						
				Low	800	16.30	12.90		28.95	11.30					
HMH72B341S	TM8E080C16MP11	24.5	XAFD48F	High	1100	33.40	23.60	17.00	9.50	37.20	25.20	8.50	5.55	3.20	2.56
				Intermediate	775	22.00	12.40		15.75						
				Low	775	16.50	12.90		29.15	11.50					
HMH72B341S	TMLE080C16MP11	24.5	XAFD48F	High	1100	33.40	23.60	17.00	9.50	37.20	25.20	8.50	5.55	3.20	2.56
				Intermediate	775	22.00	12.40		15.75						
				Low	775	16.50	12.90		29.15	11.50					
HMH72B341S	TM8E080C16MP11	21.0	X AFC48F	High	1100	33.40	23.60	17.00	9.50	37.20	25.20	8.50	5.55	3.20	2.56
				Intermediate	775	22.00	12.40		15.75						
				Low	775	16.50	12.90		29.15	11.50					
HMH72B341S	TM8E080C16MP11	21.0	XAUC48F	High	1100	33.40	23.60	17.00	9.50	37.20	25.20	8.50	5.55	3.20	2.56
				Intermediate	775	22.00	12.40		15.75						
				Low	775	16.50	12.90		29.15	11.50					
HMH72B341S	TMLE080C16MP11	21.0	X AFC48F	High	1100	33.40	23.60	17.00	9.50	37.20	25.20	8.50	5.55	3.20	2.56
				Intermediate	775	22.00	12.40		15.75						
				Low	775	16.50	12.90		29.15	11.50					

**Table 7: Furnace capacity - 3 ton - 34k**

Outdoor unit model	Furnace model	Furnace width (in.)	Indoor coil model	Stage	Rated CFM	Net cool (MBH)	Sens cool (MBH)	SEER2	EER2	Net47 (MBH)	Net17 (MBH)	HSPF2 IV	HSPF2 V	Cop47	Cop17
HMH72B341S	TMLE080C16MP11	21.0	XAUC48F	High	1100	33.40	23.60	17.00	9.50	37.20	25.20	8.50	5.55	3.20	2.56
				Intermediate	775	22.00	12.40		15.75						
				Low	775	16.50	12.90		29.15						
HMH72B341S	TM8E080B12MP11	21.0	XAHC48F	High	1225	32.80	23.60	16.50	9.00	37.40	25.40	8.50	6.45	3.16	2.46
				Intermediate	775	21.60	12.10		15.60						
				Low	775	16.30	12.70		29.30						
HMH72B341S	TMLE080B12MP11	21.0	XAHC48F	High	1225	32.80	23.60	16.50	9.00	37.40	25.40	8.50	6.45	3.16	2.46
				Intermediate	775	21.60	12.10		15.60						
				Low	775	16.30	12.70		29.30						
HMH72B341S	TM8E080B12MP11	21.0	XAFC48F	High	1125	33.40	23.60	17.00	9.00	37.60	25.60	8.50	6.00	3.18	2.52
				Intermediate	725	21.60	11.70		15.65						
				Low	725	16.40	12.40		29.20						
HMH72B341S	TM8E080B12MP11	21.0	XAUC48F	High	1125	33.40	23.60	17.00	9.00	37.60	25.60	8.50	6.00	3.18	2.52
				Intermediate	725	21.60	11.70		15.65						
				Low	725	16.40	12.40		29.20						
HMH72B341S	TMLE080B12MP11	21.0	XAFC48F	High	1125	33.40	23.60	17.00	9.00	37.60	25.60	8.50	6.00	3.18	2.52
				Intermediate	725	21.60	11.70		15.65						
				Low	725	16.40	12.40		29.20						
HMH72B341S	TMLE080B12MP11	21.0	XAUC48F	High	1125	33.40	23.60	17.00	9.00	37.60	25.60	8.50	6.00	3.18	2.52
				Intermediate	725	21.60	11.70		15.65						
				Low	725	16.40	12.40		29.20						
HMH72B341S	TL9E100C20UH11	24.5	XAHD48F	High	1250	33.40	24.40	15.50	9.00	37.20	25.00	8.50	5.85	3.24	2.52
				Intermediate	1025	22.60	14.80		15.05						
				Low	1025	16.70	15.30		25.50						
HMH72B341S	TL9E100C20UH11	21.0	XAHC48F	High	1250	33.40	24.40	15.50	9.00	37.20	25.00	8.50	5.85	3.24	2.52
				Intermediate	1050	22.60	14.90		15.15						
				Low	1050	16.80	15.60		25.75						
HMH72B341S	TL9E100C20UH11	24.5	XAFD48F	High	1250	34.00	24.80	16.00	9.50	38.00	25.40	8.50	5.65	3.30	2.56
				Intermediate	1025	23.00	15.10		15.40						
				Low	1025	17.10	15.70		26.05						
HMH72B341S	TL9E100C20UH11	21.0	XAFC48F	High	1250	34.00	24.80	15.50	9.50	38.00	25.40	8.50	5.55	3.30	2.56
				Intermediate	1025	23.00	15.10		15.35						
				Low	1025	17.10	15.70		26.05						
HMH72B341S	TL9E100C20UH11	21.0	XAUC48F	High	1250	34.00	24.80	15.50	9.50	38.00	25.40	8.50	5.55	3.30	2.56
				Intermediate	1025	23.00	15.10		15.35						
				Low	1025	17.10	15.70		26.05						
HMH72B341S	TL9E080C16UH11	24.5	XAHD48F	High	1300	33.20	24.40	16.00	9.00	37.60	25.20	8.50	6.05	3.24	2.50
				Intermediate	875	21.80	13.00		15.30						
				Low	875	16.40	13.70		27.45						
HMH72B341S	TL9E080C16UH11	21.0	XAHC48F	High	1300	33.20	24.40	16.00	9.00	37.60	25.20	8.50	6.05	3.24	2.50
				Intermediate	900	22.00	13.30		15.45						
				Low	900	16.50	14.00		27.85						
HMH72B341S	TL9E080C16UH11	24.5	XAFD48F	High	1300	34.00	25.00	16.50	9.00	38.50	25.60	8.50	5.85	3.30	2.54
				Intermediate	875	22.40	13.50		15.65						
				Low	875	16.80	14.10		28.10						
HMH72B341S	TL9E080C16UH11	21.0	XAFC48F	High	1300	34.00	25.00	16.50	9.00	38.50	25.80	8.50	5.85	3.30	2.54
				Intermediate	875	22.40	13.50		15.65						
				Low	875	16.80	14.10		28.10						
HMH72B341S	TL9E080C16UH11	21.0	XAUC48F	High	1300	34.00	25.00	16.50	9.00	38.50	25.80	8.50	5.85	3.30	2.54
				Intermediate	875	22.40	13.50		15.65						
				Low	875	16.80	14.10		28.10						
HMH72B341S	TL9E060B12UH11	21.0	XAHC48F	High	1125	32.40	22.80	16.50	9.00	37.00	25.20	8.50	6.55	3.08	2.46
				Intermediate	675	21.00	11.00		15.30						
				Low	675	15.90	11.50		28.95						
HMH72B341S	TL9E060B12UH11	21.0	XAFC48F	High	1125	33.20	23.40	17.00	9.00	37.80	25.80	8.50	6.05	3.14	2.50
				Intermediate	650	21.20	10.90		15.50						
				Low	650	16.20	11.60		29.15						
HMH72B341S	TL9E060B12UH11	21.0	XAUC48F	High	1125	33.20	23.40	17.00	9.00	37.80	25.80	8.50	6.05	3.14	2.50
				Intermediate	650	21.20	10.90		15.50						
				Low	650	16.20	11.60		29.15						

**Table 7: Furnace capacity - 3 ton - 34k**

Outdoor unit model	Furnace model	Furnace width (in.)	Indoor coil model	Stage	Rated CFM	Net cool (MBH)	Sens cool (MBH)	SEER2	EER2	Net47 (MBH)	Net17 (MBH)	HSPF2 IV	HSPF2 V	Cop47	Cop17
HMH72B341S	TL8E100C20UH11	24.5	XAHD48F	High	1250	33.40	24.40	16.00	9.50	37.20	24.80	8.50	5.85	3.26	2.54
				Intermediate	975	22.40	14.20		15.40						
				Low	975	16.70	14.80		27.05	11.90					
HMH72B341S	TL8E100C20UH11	21.0	XAHC48F	High	1250	33.40	24.40	16.00	9.50	37.20	24.80	8.50	5.70	3.26	2.54
				Intermediate	1000	22.60	14.50		15.55						
				Low	1000	16.80	15.10		27.40	12.00					
HMH72B341S	TL8E100C20UH11	24.5	XAFD48F	High	1250	34.00	25.00	16.50	9.50	37.80	25.40	8.50	5.65	3.32	2.58
				Intermediate	975	22.80	14.50		15.75						
				Low	975	17.00	15.10		27.70	12.10					
HMH72B341S	TL8E100C20UH11	21.0	XAFC48F	High	1250	34.00	24.80	16.50	9.50	37.80	25.40	8.50	5.65	3.32	2.58
				Intermediate	975	22.80	14.50		15.70						
				Low	975	17.00	15.10		27.65	12.10					
HMH72B341S	TL8E100C20UH11	21.0	XAUC48F	High	1250	34.00	24.80	16.50	9.50	37.80	25.40	8.50	5.65	3.32	2.58
				Intermediate	975	22.80	14.50		15.70						
				Low	975	17.00	15.10		27.65	12.10					
HMH72B341S	TL8E080C16UH11	24.5	XAHD48F	High	1425	33.60	25.40	16.00	9.00	38.50	25.40	8.50	6.35	3.28	2.48
				Intermediate	925	22.20	13.70		15.50						
				Low	925	16.60	14.30		27.70	11.70					
HMH72B341S	TL8E080C16UH11	21.0	XAHC48F	High	1425	33.60	25.40	16.50	9.00	38.50	25.60	8.50	6.35	3.28	2.48
				Intermediate	950	22.40	14.00		15.60						
				Low	950	16.70	14.60		28.05	11.80					
HMH72B341S	TL8E080C16UH11	24.5	XAFD48F	High	1250	34.00	24.80	16.50	9.50	38.00	25.60	8.50	5.70	3.28	2.56
				Intermediate	900	22.40	13.60		15.65						
				Low	900	16.80	14.30		27.90	11.90					
HMH72B341S	TL8E080C16UH11	21.0	XAFC48F	High	1425	34.00	25.60	16.50	9.00	39.00	26.00	8.50	6.00	3.34	2.52
				Intermediate	925	22.60	14.00		15.80						
				Low	925	16.90	14.60		28.30	12.00					
HMH72B341S	TL8E080C16UH11	21.0	XAUC48F	High	1425	34.00	25.60	16.50	9.00	39.00	26.00	8.50	6.00	3.34	2.52
				Intermediate	925	22.60	14.00		15.80						
				Low	925	16.90	14.60		28.30	12.00					

## Furnace capacity - 3 ton - 36k

**Table 8: Furnace capacity - 3 ton - 36k**

Outdoor unit model	Furnace model	Furnace width (in.)	Indoor coil model	Stage	Rated CFM	Net cool (MBH)	Sens cool (MBH)	SEER2	EER2	Net47 (MBH)	Net17 (MBH)	HSPF2 IV	HSPF2 V	Cop47	Cop17
HMH72B361S	TM9V080C16MP12C	21.0	CU36C	High	1225	35.60	25.80	17.00	9.00	34.60	24.40	9.50	7.40	3.20	2.52
				Intermediate	800	22.20	13.40		16.15						
				Low	800	14.30	12.40		31.90	9.70					
HMH72B361S	TP9C080C16MP13C	21.0	CU36C	High	1225	35.60	25.80	17.00	9.00	34.60	24.40	9.50	7.40	3.20	2.52
				Intermediate	800	22.20	13.40		16.15						
				Low	800	14.30	12.40		31.90	9.70					
HMH72B361S	YP9C080C16MP13C	21.0	CU36C	High	1225	35.60	25.80	17.00	9.00	34.60	24.40	9.50	7.40	3.20	2.52
				Intermediate	800	22.20	13.40		16.15						
				Low	800	14.30	12.40		31.90	9.70					
HMH72B361S	TM9V080B12MP12C	21.0	CU36C	High	1150	35.40	25.20	17.00	9.00	34.00	24.40	9.50	7.55	3.12	2.50
				Intermediate	750	21.80	12.60		16.05						
				Low	750	14.20	12.00		31.85	9.60					
HMH72B361S	TP9C080B12MP13C	21.0	CU36C	High	1150	35.40	25.20	17.00	9.00	34.00	24.40	9.50	7.55	3.12	2.50
				Intermediate	750	21.80	12.60		16.05						
				Low	750	14.20	12.00		31.85	9.60					
HMH72B361S	YP9C080B12MP13C	21.0	CU36C	High	1150	35.40	25.20	17.00	9.00	34.00	24.40	9.50	7.55	3.12	2.50
				Intermediate	750	21.80	12.60		16.05						
				Low	750	14.20	12.00		31.85	9.60					
HMH72B361S	TM9V060B12MP12C	21.0	CU36C	High	1225	35.20	25.40	16.50	8.50	35.00	25.00	9.50	7.30	3.12	2.46
				Intermediate	750	21.80	12.70		15.85						
				Low	750	14.20	12.10		30.90	9.60					

**Table 8: Furnace capacity - 3 ton - 36k**

Outdoor unit model	Furnace model	Furnace width (in.)	Indoor coil model	Stage	Rated CFM	Net cool (MBH)	Sens cool (MBH)	SEER2	EER2	Net47 (MBH)	Net17 (MBH)	HSPF2 IV	HSPF2 V	Cop47	Cop17
HMH72B361S	TP9C060B12MP13C	21.0	CU36C	High	1225	35.20	25.40	16.50	8.50	35.00	25.00	9.50	7.30	3.12	2.46
				Intermediate	750	21.80	12.70		15.85						
				Low	750	14.20	12.10		30.90						
HMH72B361S	YP9C060B12MP13C	21.0	CU36C	High	1225	35.20	25.40	16.50	8.50	35.00	25.00	9.50	7.30	3.12	2.46
				Intermediate	750	21.80	12.70		15.85						
				Low	750	14.20	12.10		30.90						
HMH72B361S	TM9E080C16MP12	21.0	CU36C	High	1275	35.80	26.40	17.00	9.00	35.20	24.60	9.50	7.20	3.26	2.54
				Intermediate	825	22.20	13.60		16.35						
				Low	825	14.40	12.60		32.75						
HMH72B361S	TL9E060B12UH11	21.0	CU36C	High	1225	35.40	25.60	16.50	8.50	35.00	24.80	9.50	7.35	3.14	2.46
				Intermediate	700	21.60	12.10		15.95						
				Low	700	14.10	11.60		31.85						
HMH72B361S	TL8E080C16UH11	21.0	CU36C	High	1125	35.00	24.80	17.00	9.25	33.60	24.00	9.50	7.15	3.16	2.54
				Intermediate	975	22.80	15.50		16.15						
				Low	975	14.70	14.00		30.25						
HMH72B361S	TM8V120C20MP12C	21.0	CU36C	High	1375	36.00	27.20	17.50	9.00	35.80	24.60	9.50	6.95	3.40	2.58
				Intermediate	925	22.80	14.90		16.60						
				Low	925	14.70	13.50		33.20						
HMH72B361S	TM8V100C20MP12C	21.0	CU36C	High	1375	36.00	27.20	17.50	9.00	35.80	24.60	9.50	6.95	3.40	2.58
				Intermediate	925	22.80	14.90		16.60						
				Low	925	14.70	13.50		33.20						
HMH72B361S	TMLV120C20MP12C	21.0	CU36C	High	1375	36.00	27.20	17.50	9.00	35.80	24.60	9.50	6.95	3.40	2.58
				Intermediate	925	22.80	14.90		16.60						
				Low	925	14.70	13.50		33.20						
HMH72B361S	TPLC100C20MP13C	21.0	CU36C	High	1375	36.00	27.20	17.50	9.00	35.80	24.60	9.50	6.95	3.40	2.58
				Intermediate	925	22.80	14.90		16.60						
				Low	925	14.70	13.50		33.20						
HMH72B361S	TPLC120C20MP13C	21.0	CU36C	High	1375	36.00	27.20	17.50	9.00	35.80	24.60	9.50	6.95	3.40	2.58
				Intermediate	925	22.80	14.90		16.60						
				Low	925	14.70	13.50		33.20						
HMH72B361S	YPLC100C20MP13C	21.0	CU36C	High	1375	36.00	27.20	17.50	9.00	35.80	24.60	9.50	6.95	3.40	2.58
				Intermediate	925	22.80	14.90		16.60						
				Low	925	14.70	13.50		33.20						
HMH72B361S	YPLC120C20MP13C	21.0	CU36C	High	1375	36.00	27.20	17.50	9.00	35.80	24.60	9.50	6.95	3.40	2.58
				Intermediate	925	22.80	14.90		16.60						
				Low	925	14.70	13.50		33.20						
HMH72B361S	TM8V100C16MP12C	21.0	CU36C	High	1275	36.00	26.60	17.00	9.00	35.00	24.60	9.50	7.10	3.28	2.54
				Intermediate	850	22.40	14.00		16.35						
				Low	850	14.50	12.90		32.45						
HMH72B361S	TM8V080C16MP12C	21.0	CU36C	High	1275	36.00	26.60	17.00	9.00	35.00	24.60	9.50	7.10	3.28	2.54
				Intermediate	850	22.40	14.00		16.35						
				Low	850	14.50	12.90		32.45						
HMH72B361S	TMLV100C16MP12C	21.0	CU36C	High	1275	36.00	26.60	17.00	9.00	35.00	24.60	9.50	7.10	3.28	2.54
				Intermediate	850	22.40	14.00		16.35						
				Low	850	14.50	12.90		32.45						
HMH72B361S	TPLC080C16MP13C	21.0	CU36C	High	1275	36.00	26.60	17.00	9.00	35.00	24.60	9.50	7.10	3.28	2.54
				Intermediate	850	22.40	14.00		16.35						
				Low	850	14.50	12.90		32.45						
HMH72B361S	TPLC100C16MP13C	21.0	CU36C	High	1275	36.00	26.60	17.00	9.00	35.00	24.60	9.50	7.10	3.28	2.54
				Intermediate	850	22.40	14.00		16.35						
				Low	850	14.50	12.90		32.45						
HMH72B361S	YPLC080C16MP13C	21.0	CU36C	High	1275	36.00	26.60	17.00	9.00	35.00	24.60	9.50	7.10	3.28	2.54
				Intermediate	850	22.40	14.00		16.35						
				Low	850	14.50	12.90		32.45						
HMH72B361S	YPLC100C16MP13C	21.0	CU36C	High	1275	36.00	26.60	17.00	9.00	35.00	24.60	9.50	7.10	3.28	2.54
				Intermediate	850	22.40	14.00		16.35						
				Low	850	14.50	12.90		32.45						
HMH72B361S	TM8E120C16MP11	21.0	CU36C	High	1300	36.00	26.80	17.25	9.00	35.20	24.60	9.50	7.20	3.30	2.56
				Intermediate	875	22.40	14.20		16.50						
				Low	875	14.60	13.10		33.00						

**Table 8: Furnace capacity - 3 ton - 36k**

Outdoor unit model	Furnace model	Furnace width (in.)	Indoor coil model	Stage	Rated CFM	Net cool (MBH)	Sens cool (MBH)	SEER2	EER2	Net47 (MBH)	Net17 (MBH)	HSPF2 IV	HSPF2 V	Cop47	Cop17
HMH72B361S	TMLE120C16MP11	21.0	CU36C	High	1300	36.00	26.80	17.25	9.00	35.20	24.60	9.50	7.20	3.30	2.56
				Intermediate	875	22.40	14.20		16.50						
				Low	875	14.60	13.10		33.00	9.80	4.56				
HMH72B361S	TM8E100C16MP11	21.0	CU36C	High	1300	36.00	26.80	17.25	9.00	35.20	24.60	9.50	7.20	3.30	2.56
				Intermediate	875	22.40	14.20		16.50						
				Low	875	14.60	13.10		33.10	9.80	4.58				
HMH72B361S	TMLE100C16MP11	21.0	CU36C	High	1300	36.00	26.80	17.25	9.00	35.20	24.60	9.50	7.20	3.30	2.56
				Intermediate	875	22.40	14.20		16.50						
				Low	875	14.60	13.10		33.10	9.80	4.58				
HMH72B361S	TM8E100B12MP11	21.0	CU36C	High	1250	35.80	26.20	17.00	9.00	35.00	24.60	9.50	7.35	3.22	2.52
				Intermediate	800	22.20	13.40		16.35						
				Low	800	14.40	12.50		33.05	9.60	4.50				
HMH72B361S	TMLE100B12MP11	21.0	CU36C	High	1250	35.80	26.20	17.00	9.00	35.00	24.60	9.50	7.35	3.22	2.52
				Intermediate	800	22.20	13.40		16.35						
				Low	800	14.40	12.50		33.05	9.60	4.50				
HMH72B361S	TM8E080C16MP11	21.0	CU36C	High	1275	36.00	26.60	17.25	9.00	35.00	24.40	9.50	7.25	3.28	2.56
				Intermediate	875	22.40	14.20		16.40						
				Low	875	14.50	13.00		32.65	9.80	4.54				
HMH72B361S	TMLE080C16MP11	21.0	CU36C	High	1275	36.00	26.60	17.25	9.00	35.00	24.40	9.50	7.25	3.28	2.56
				Intermediate	875	22.40	14.20		16.40						
				Low	875	14.50	13.00		32.65	9.80	4.54				
HMH72B361S	TM8E080B12MP11	21.0	CU36C	High	1250	35.60	26.00	16.50	8.75	35.00	24.60	9.50	6.90	3.20	2.50
				Intermediate	950	22.60	15.10		15.85						
				Low	950	14.60	13.80		29.15	10.10	4.34				
HMH72B361S	TMLE080B12MP11	21.0	CU36C	High	1250	35.60	26.00	16.50	8.75	35.00	24.60	9.50	6.90	3.20	2.50
				Intermediate	950	22.60	15.10		15.85						
				Low	950	14.60	13.80		29.15	10.10	4.34				
HMH72B361S	TM9V100C20MP12C	21.0	CU36C	High	1275	36.00	26.60	17.25	9.00	35.00	24.40	9.50	7.25	3.28	2.56
				Intermediate	800	22.20	13.40		16.40						
				Low	800	14.40	12.50		33.35	9.60	4.54				
HMH72B361S	TP9C100C20MP13C	21.0	CU36C	High	1275	36.00	26.60	17.25	9.00	35.00	24.40	9.50	7.25	3.28	2.56
				Intermediate	800	22.20	13.40		16.40						
				Low	800	14.40	12.50		33.35	9.60	4.54				
HMH72B361S	YP9C100C20MP13C	21.0	CU36C	High	1275	36.00	26.60	17.25	9.00	35.00	24.40	9.50	7.25	3.28	2.56
				Intermediate	800	22.20	13.40		16.40						
				Low	800	14.40	12.50		33.35	9.60	4.54				
HMH72B361S	TM9V100C16MP12C	21.0	CU36C	High	1275	36.00	26.60	17.00	9.00	35.00	24.40	9.50	7.25	3.28	2.56
				Intermediate	850	22.40	14.00		16.30						
				Low	850	14.50	12.90		32.30	9.70	4.52				
HMH72B361S	TP9C100C16MP13C	21.0	CU36C	High	1275	36.00	26.60	17.00	9.00	35.00	24.40	9.50	7.25	3.28	2.56
				Intermediate	850	22.40	14.00		16.30						
				Low	850	14.50	12.90		32.30	9.70	4.52				
HMH72B361S	YP9C100C16MP13C	21.0	CU36C	High	1275	36.00	26.60	17.00	9.00	35.00	24.40	9.50	7.25	3.28	2.56
				Intermediate	850	22.40	14.00		16.30						
				Low	850	14.50	12.90		32.30	9.70	4.52				
HMH72B361S	TM9E100C16MP12	21.0	CU36C	High	1275	36.00	26.60	17.25	9.00	35.00	24.60	9.50	7.25	3.26	2.54
				Intermediate	875	22.40	14.20		16.40						
				Low	875	14.50	13.00		32.60	9.80	4.52				
HMH72B361S	TM9E080B12MP12	21.0	CU36C	High	1250	35.60	26.00	16.75	8.75	35.00	24.80	9.50	6.95	3.20	2.50
				Intermediate	850	22.20	13.90		16.05						
				Low	850	14.40	12.90		30.85	9.80	4.40				
HMH72B361S	TM9E060B12MP12	21.0	CU36C	High	1225	35.40	25.60	16.50	8.50	35.00	24.80	9.50	7.30	3.14	2.46
				Intermediate	800	22.00	13.30		15.85						
				Low	800	14.30	12.50		30.40	9.80	4.32				
HMH72B361S	TL9E080C16UH11	21.0	CU36C	High	1250	35.80	26.20	17.00	9.00	34.80	24.60	9.50	7.35	3.24	2.52
				Intermediate	950	22.80	15.30		16.15						
				Low	950	14.60	13.70		30.65	10.00	4.46				
HMH72B361S	TM8V080B12MP12C	21.0	CU36C	High	1100	35.00	24.60	16.50	8.75	33.80	24.40	9.50	7.15	3.06	2.48
				Intermediate	700	21.60	12.10		15.85						
				Low	700	14.00	11.50		31.15	9.50	4.32				



**Table 8: Furnace capacity - 3 ton - 36k**

Outdoor unit model	Furnace model	Furnace width (in.)	Indoor coil model	Stage	Rated CFM	Net cool (MBH)	Sens cool (MBH)	SEER2	EER2	Net47 (MBH)	Net17 (MBH)	HSPF2 IV	HSPF2 V	Cop47	Cop17
HMH72B361S	TPLC080B12MP13C	21.0	CU36C	High	1100	35.00	24.60	16.50	8.75	33.80	24.40	9.50	7.15	3.06	2.48
				Intermediate	700	21.60	12.10		15.85						
				Low	700	14.00	11.50		31.15						
HMH72B361S	YPLC080B12MP13C	21.0	CU36C	High	1100	35.00	24.60	16.50	8.75	33.80	24.40	9.50	7.15	3.06	2.48
				Intermediate	700	21.60	12.10		15.85						
				Low	700	14.00	11.50		31.15						
HMH72B361S	TM9V080C16MP12C	21.0	CU36C	High	1225	35.60	25.80	17.00	9.00	34.60	24.40	9.50	7.40	3.20	2.52
				Intermediate	800	22.20	13.40		16.15						
				Low	800	14.30	12.40		31.90						
HMH72B361S	TP9C080C16MP13C	21.0	CU36C	High	1225	35.60	25.80	17.00	9.00	34.60	24.40	9.50	7.40	3.20	2.52
				Intermediate	800	22.20	13.40		16.15						
				Low	800	14.30	12.40		31.90						
HMH72B361S	YP9C080C16MP13C	21.0	CU36C	High	1225	35.60	25.80	17.00	9.00	34.60	24.40	9.50	7.40	3.20	2.52
				Intermediate	800	22.20	13.40		16.15						
				Low	800	14.30	12.40		31.90						
HMH72B361S	TM9V080B12MP12C	21.0	CU36C	High	1150	35.40	25.20	17.00	9.00	34.00	24.40	9.50	7.55	3.12	2.50
				Intermediate	750	21.80	12.60		16.05						
				Low	750	14.20	12.00		31.85						
HMH72B361S	TP9C080B12MP13C	21.0	CU36C	High	1150	35.40	25.20	17.00	9.00	34.00	24.40	9.50	7.55	3.12	2.50
				Intermediate	750	21.80	12.60		16.05						
				Low	750	14.20	12.00		31.85						
HMH72B361S	YP9C080B12MP13C	21.0	CU36C	High	1150	35.40	25.20	17.00	9.00	34.00	24.40	9.50	7.55	3.12	2.50
				Intermediate	750	21.80	12.60		16.05						
				Low	750	14.20	12.00		31.85						
HMH72B361S	TM9V060B12MP12C	21.0	CU36C	High	1225	35.20	25.40	16.50	8.50	35.00	25.00	9.50	7.30	3.12	2.46
				Intermediate	750	21.80	12.70		15.85						
				Low	750	14.20	12.10		30.90						
HMH72B361S	TP9C060B12MP13C	21.0	CU36C	High	1225	35.20	25.40	16.50	8.50	35.00	25.00	9.50	7.30	3.12	2.46
				Intermediate	750	21.80	12.70		15.85						
				Low	750	14.20	12.10		30.90						
HMH72B361S	YP9C060B12MP13C	21.0	CU36C	High	1225	35.20	25.40	16.50	8.50	35.00	25.00	9.50	7.30	3.12	2.46
				Intermediate	750	21.80	12.70		15.85						
				Low	750	14.20	12.10		30.90						
HMH72B361S	TM9E080C16MP12	21.0	CU36C	High	1275	35.80	26.40	17.00	9.00	35.20	24.60	9.50	7.20	3.26	2.54
				Intermediate	825	22.20	13.60		16.35						
				Low	825	14.40	12.60		32.75						
HMH72B361S	TL9E060B12UH11	21.0	CU36C	High	1225	35.40	25.60	16.50	8.50	35.00	24.80	9.50	7.35	3.14	2.46
				Intermediate	700	21.60	12.10		15.95						
				Low	700	14.10	11.60		31.85						
HMH72B361S	TL8E080C16UH11	21.0	CU36C	High	1125	35.00	24.80	17.00	9.25	33.60	24.00	9.50	7.15	3.16	2.54
				Intermediate	975	22.80	15.50		16.15						
				Low	975	14.70	14.00		30.25						
HMH72B361S	TM8V120C20MP12C	21.0	CU36C	High	1375	36.00	27.20	17.50	9.00	35.80	24.60	9.50	6.95	3.40	2.58
				Intermediate	925	22.80	14.90		16.60						
				Low	925	14.70	13.50		33.20						
HMH72B361S	TM8V100C20MP12C	21.0	CU36C	High	1375	36.00	27.20	17.50	9.00	35.80	24.60	9.50	6.95	3.40	2.58
				Intermediate	925	22.80	14.90		16.60						
				Low	925	14.70	13.50		33.20						
HMH72B361S	TMLV120C20MP12C	21.0	CU36C	High	1375	36.00	27.20	17.50	9.00	35.80	24.60	9.50	6.95	3.40	2.58
				Intermediate	925	22.80	14.90		16.60						
				Low	925	14.70	13.50		33.20						
HMH72B361S	TPLC100C20MP13C	21.0	CU36C	High	1375	36.00	27.20	17.50	9.00	35.80	24.60	9.50	6.95	3.40	2.58
				Intermediate	925	22.80	14.90		16.60						
				Low	925	14.70	13.50		33.20						
HMH72B361S	TPLC120C20MP13C	21.0	CU36C	High	1375	36.00	27.20	17.50	9.00	35.80	24.60	9.50	6.95	3.40	2.58
				Intermediate	925	22.80	14.90		16.60						
				Low	925	14.70	13.50		33.20						
HMH72B361S	YPLC100C20MP13C	21.0	CU36C	High	1375	36.00	27.20	17.50	9.00	35.80	24.60	9.50	6.95	3.40	2.58
				Intermediate	925	22.80	14.90		16.60						
				Low	925	14.70	13.50		33.20						

**Table 8: Furnace capacity - 3 ton - 36k**

Outdoor unit model	Furnace model	Furnace width (in.)	Indoor coil model	Stage	Rated CFM	Net cool (MBH)	Sens cool (MBH)	SEER2	EER2	Net47 (MBH)	Net17 (MBH)	HSPF2 IV	HSPF2 V	Cop47	Cop17
HMH72B361S	YPLC120C20MP13C	21.0	CU36C	High	1375	36.00	27.20	17.50	9.00	35.80	24.60	9.50	6.95	3.40	2.58
				Intermediate	925	22.80	14.90		16.60						
				Low	925	14.70	13.50		33.20						
HMH72B361S	TM8V100C16MP12C	21.0	CU36C	High	1275	36.00	26.60	17.00	9.00	35.00	24.60	9.50	7.10	3.28	2.54
				Intermediate	850	22.40	14.00		16.35						
				Low	850	14.50	12.90		32.45						
HMH72B361S	TM8V080C16MP12C	21.0	CU36C	High	1275	36.00	26.60	17.00	9.00	35.00	24.60	9.50	7.10	3.28	2.54
				Intermediate	850	22.40	14.00		16.35						
				Low	850	14.50	12.90		32.45						
HMH72B361S	TMLV100C16MP12C	21.0	CU36C	High	1275	36.00	26.60	17.00	9.00	35.00	24.60	9.50	7.10	3.28	2.54
				Intermediate	850	22.40	14.00		16.35						
				Low	850	14.50	12.90		32.45						
HMH72B361S	TPLC080C16MP13C	21.0	CU36C	High	1275	36.00	26.60	17.00	9.00	35.00	24.60	9.50	7.10	3.28	2.54
				Intermediate	850	22.40	14.00		16.35						
				Low	850	14.50	12.90		32.45						
HMH72B361S	TPLC100C16MP13C	21.0	CU36C	High	1275	36.00	26.60	17.00	9.00	35.00	24.60	9.50	7.10	3.28	2.54
				Intermediate	850	22.40	14.00		16.35						
				Low	850	14.50	12.90		32.45						
HMH72B361S	YPLC080C16MP13C	21.0	CU36C	High	1275	36.00	26.60	17.00	9.00	35.00	24.60	9.50	7.10	3.28	2.54
				Intermediate	850	22.40	14.00		16.35						
				Low	850	14.50	12.90		32.45						
HMH72B361S	YPLC100C16MP13C	21.0	CU36C	High	1275	36.00	26.60	17.00	9.00	35.00	24.60	9.50	7.10	3.28	2.54
				Intermediate	850	22.40	14.00		16.35						
				Low	850	14.50	12.90		32.45						
HMH72B361S	TM8E120C16MP11	21.0	CU36C	High	1300	36.00	26.80	17.25	9.00	35.20	24.60	9.50	7.20	3.30	2.56
				Intermediate	875	22.40	14.20		16.50						
				Low	875	14.60	13.10		33.00						
HMH72B361S	TMLE120C16MP11	21.0	CU36C	High	1300	36.00	26.80	17.25	9.00	35.20	24.60	9.50	7.20	3.30	2.56
				Intermediate	875	22.40	14.20		16.50						
				Low	875	14.60	13.10		33.00						
HMH72B361S	TM8E100C16MP11	21.0	CU36C	High	1300	36.00	26.80	17.25	9.00	35.20	24.60	9.50	7.20	3.30	2.56
				Intermediate	875	22.40	14.20		16.50						
				Low	875	14.60	13.10		33.10						
HMH72B361S	TMLE100C16MP11	21.0	CU36C	High	1300	36.00	26.80	17.25	9.00	35.20	24.60	9.50	7.20	3.30	2.56
				Intermediate	875	22.40	14.20		16.50						
				Low	875	14.60	13.10		33.10						
HMH72B361S	TM8E100B12MP11	21.0	CU36C	High	1250	35.80	26.20	17.00	9.00	35.00	24.60	9.50	7.35	3.22	2.52
				Intermediate	800	22.20	13.40		16.35						
				Low	800	14.40	12.50		33.05						
HMH72B361S	TMLE100B12MP11	21.0	CU36C	High	1250	35.80	26.20	17.00	9.00	35.00	24.60	9.50	7.35	3.22	2.52
				Intermediate	800	22.20	13.40		16.35						
				Low	800	14.40	12.50		33.05						
HMH72B361S	TM8E080C16MP11	21.0	CU36C	High	1275	36.00	26.60	17.25	9.00	35.00	24.40	9.50	7.25	3.28	2.56
				Intermediate	875	22.40	14.20		16.40						
				Low	875	14.50	13.00		32.65						
HMH72B361S	TMLE080C16MP11	21.0	CU36C	High	1275	36.00	26.60	17.25	9.00	35.00	24.40	9.50	7.25	3.28	2.56
				Intermediate	875	22.40	14.20		16.40						
				Low	875	14.50	13.00		32.65						
HMH72B361S	TM8E080B12MP11	21.0	CU36C	High	1250	35.60	26.00	16.50	8.75	35.00	24.60	9.50	6.90	3.20	2.50
				Intermediate	950	22.60	15.10		15.85						
				Low	950	14.60	13.80		29.15						
HMH72B361S	TMLE080B12MP11	21.0	CU36C	High	1250	35.60	26.00	16.50	8.75	35.00	24.60	9.50	6.90	3.20	2.50
				Intermediate	950	22.60	15.10		15.85						
				Low	950	14.60	13.80		29.15						
HMH72B361S	TM9V100C20MP12C	21.0	CU36C	High	1275	36.00	26.60	17.25	9.00	35.00	24.40	9.50	7.25	3.28	2.56
				Intermediate	800	22.20	13.40		16.40						
				Low	800	14.40	12.50		33.35						
HMH72B361S	TP9C100C20MP13C	21.0	CU36C	High	1275	36.00	26.60	17.25	9.00	35.00	24.40	9.50	7.25	3.28	2.56
				Intermediate	800	22.20	13.40		16.40						
				Low	800	14.40	12.50		33.35						

**Table 8: Furnace capacity - 3 ton - 36k**

Outdoor unit model	Furnace model	Furnace width (in.)	Indoor coil model	Stage	Rated CFM	Net cool (MBH)	Sens cool (MBH)	SEER2	EER2	Net47 (MBH)	Net17 (MBH)	HSPF2 IV	HSPF2 V	Cop47	Cop17
HMH72B361S	YP9C100C20MP13C	21.0	CU36C	High	1275	36.00	26.60	17.25	9.00	35.00	24.40	9.50	7.25	3.28	2.56
				Intermediate	800	22.20	13.40		16.40						
				Low	800	14.40	12.50		33.35						
HMH72B361S	TM9V100C16MP12C	21.0	CU36C	High	1275	36.00	26.60	17.00	9.00	35.00	24.40	9.50	7.25	3.28	2.56
				Intermediate	850	22.40	14.00		16.30						
				Low	850	14.50	12.90		32.30						
HMH72B361S	TP9C100C16MP13C	21.0	CU36C	High	1275	36.00	26.60	17.00	9.00	35.00	24.40	9.50	7.25	3.28	2.56
				Intermediate	850	22.40	14.00		16.30						
				Low	850	14.50	12.90		32.30						
HMH72B361S	YP9C100C16MP13C	21.0	CU36C	High	1275	36.00	26.60	17.00	9.00	35.00	24.40	9.50	7.25	3.28	2.56
				Intermediate	850	22.40	14.00		16.30						
				Low	850	14.50	12.90		32.30						
HMH72B361S	TM9E100C16MP12	21.0	CU36C	High	1275	36.00	26.60	17.25	9.00	35.00	24.60	9.50	7.25	3.26	2.54
				Intermediate	875	22.40	14.20		16.40						
				Low	875	14.50	13.00		32.60						
HMH72B361S	TM9E080B12MP12	21.0	CU36C	High	1250	35.60	26.00	16.75	8.75	35.00	24.80	9.50	6.95	3.20	2.50
				Intermediate	850	22.20	13.90		16.05						
				Low	850	14.40	12.90		30.85						
HMH72B361S	TM9E060B12MP12	21.0	CU36C	High	1225	35.40	25.60	16.50	8.50	35.00	24.80	9.50	7.30	3.14	2.46
				Intermediate	800	22.00	13.30		15.85						
				Low	800	14.30	12.50		30.40						
HMH72B361S	TL9E080C16UH11	21.0	CU36C	High	1250	35.80	26.20	17.00	9.00	34.80	24.60	9.50	7.35	3.24	2.52
				Intermediate	950	22.80	15.30		16.15						
				Low	950	14.60	13.70		30.65						
HMH72B361S	TM8V080B12MP12C	21.0	CU36C	High	1100	35.00	24.60	16.50	8.75	33.80	24.40	9.50	7.15	3.06	2.48
				Intermediate	700	21.60	12.10		15.85						
				Low	700	14.00	11.50		31.15						
HMH72B361S	TPLC080B12MP13C	21.0	CU36C	High	1100	35.00	24.60	16.50	8.75	33.80	24.40	9.50	7.15	3.06	2.48
				Intermediate	700	21.60	12.10		15.85						
				Low	700	14.00	11.50		31.15						
HMH72B361S	YPLC080B12MP13C	21.0	CU36C	High	1100	35.00	24.60	16.50	8.75	33.80	24.40	9.50	7.15	3.06	2.48
				Intermediate	700	21.60	12.10		15.85						
				Low	700	14.00	11.50		31.15						
HMH72B361S	TM9Y100C16MP11	21.0	CU36C	High	1150	35.60	25.40	17.25	9.00	33.80	24.20	9.50	7.85	3.16	2.54
				Intermediate	675	21.60	11.80		16.40						
				Low	675	14.10	11.30		34.80						
HMH72B361S	TM9Y080C16MP11	21.0	CU36C	High	1250	35.80	26.20	16.75	8.75	35.00	24.60	9.50	7.75	3.22	2.52
				Intermediate	725	21.80	12.40		16.10						
				Low	725	14.20	11.80		32.50						
HMH72B361S	TM9Y080B12MP11	21.0	CU36C	High	1175	35.40	25.40	16.75	8.75	34.40	24.60	9.50	7.85	3.14	2.50
				Intermediate	775	22.00	13.00		16.10						
				Low	775	14.30	12.30		31.90						
HMH72B361S	TM9Y060B12MP11	21.0	CU36C	High	1125	35.20	24.80	16.50	8.75	34.00	24.60	9.50	7.80	3.06	2.46
				Intermediate	725	21.80	12.50		15.90						
				Low	725	14.10	11.80		31.20						
HMH72B361S	TM9Y100C16MP11	21.0	CU36C	High	1150	35.60	25.40	17.25	9.00	33.80	24.20	9.50	7.85	3.16	2.54
				Intermediate	675	21.60	11.80		16.40						
				Low	675	14.10	11.30		34.80						
HMH72B361S	TM9Y080C16MP11	21.0	CU36C	High	1250	35.80	26.20	16.75	8.75	35.00	24.60	9.50	7.75	3.22	2.52
				Intermediate	725	21.80	12.40		16.10						
				Low	725	14.20	11.80		32.50						
HMH72B361S	TM9Y080B12MP11	21.0	CU36C	High	1175	35.40	25.40	16.75	8.75	34.40	24.60	9.50	7.85	3.14	2.50
				Intermediate	775	22.00	13.00		16.10						
				Low	775	14.30	12.30		31.90						
HMH72B361S	TM9Y060B12MP11	21.0	CU36C	High	1125	35.20	24.80	16.50	8.75	34.00	24.60	9.50	7.80	3.06	2.46
				Intermediate	725	21.80	12.50		15.90						
				Low	725	14.10	11.80		31.20						
HMH72B361S	TM9V080C16MP12C	21.0	CF36C	High	1225	35.60	25.80	17.00	9.00	34.60	24.40	9.50	7.40	3.20	2.52
				Intermediate	800	22.20	13.40		16.15						
				Low	800	14.30	12.40		31.90						

**Table 8: Furnace capacity - 3 ton - 36k**

Outdoor unit model	Furnace model	Furnace width (in.)	Indoor coil model	Stage	Rated CFM	Net cool (MBH)	Sens cool (MBH)	SEER2	EER2	Net47 (MBH)	Net17 (MBH)	HSPF2 IV	HSPF2 V	Cop47	Cop17
HMH72B361S	TP9C080C16MP13C	21.0	CF36C	High	1225	35.60	25.80	17.00	9.00	34.60	24.40	9.50	7.40	3.20	2.52
				Intermediate	800	22.20	13.40		16.15						
				Low	800	14.30	12.40		31.90						
HMH72B361S	YP9C080C16MP13C	21.0	CF36C	High	1225	35.60	25.80	17.00	9.00	34.60	24.40	9.50	7.40	3.20	2.52
				Intermediate	800	22.20	13.40		16.15						
				Low	800	14.30	12.40		31.90						
HMH72B361S	TM9V080C16MP12C	21.0	CM36C	High	1225	35.60	25.80	17.00	9.00	34.60	24.40	9.50	7.40	3.20	2.52
				Intermediate	800	22.20	13.40		16.15						
				Low	800	14.30	12.40		31.90						
HMH72B361S	TM9V080C16MP12C	21.0	CM36C	High	1225	35.60	25.80	17.00	9.00	34.60	24.40	9.50	7.40	3.20	2.52
				Intermediate	800	22.20	13.40		16.15						
				Low	800	14.30	12.40		31.90						
HMH72B361S	TP9C080C16MP13C	21.0	CM36C	High	1225	35.60	25.80	17.00	9.00	34.60	24.40	9.50	7.40	3.20	2.52
				Intermediate	800	22.20	13.40		16.15						
				Low	800	14.30	12.40		31.90						
HMH72B361S	TP9C080C16MP13C	21.0	CM36C	High	1225	35.60	25.80	17.00	9.00	34.60	24.40	9.50	7.40	3.20	2.52
				Intermediate	800	22.20	13.40		16.15						
				Low	800	14.30	12.40		31.90						
HMH72B361S	YP9C080C16MP13C	21.0	CM36C	High	1225	35.60	25.80	17.00	9.00	34.60	24.40	9.50	7.40	3.20	2.52
				Intermediate	800	22.20	13.40		16.15						
				Low	800	14.30	12.40		31.90						
HMH72B361S	YP9C080C16MP13C	21.0	CM36C	High	1225	35.60	25.80	17.00	9.00	34.60	24.40	9.50	7.40	3.20	2.52
				Intermediate	800	22.20	13.40		16.15						
				Low	800	14.30	12.40		31.90						
HMH72B361S	TM9V080B12MP12C	21.0	CF36C	High	1150	35.40	25.20	17.00	9.00	34.00	24.40	9.50	7.55	3.12	2.50
				Intermediate	750	21.80	12.60		16.05						
				Low	750	14.20	12.00		31.85						
HMH72B361S	TP9C080B12MP13C	21.0	CF36C	High	1150	35.40	25.20	17.00	9.00	34.00	24.40	9.50	7.55	3.12	2.50
				Intermediate	750	21.80	12.60		16.05						
				Low	750	14.20	12.00		31.85						
HMH72B361S	YP9C080B12MP13C	21.0	CF36C	High	1150	35.40	25.20	17.00	9.00	34.00	24.40	9.50	7.55	3.12	2.50
				Intermediate	750	21.80	12.60		16.05						
				Low	750	14.20	12.00		31.85						
HMH72B361S	TM9V080B12MP12C	21.0	CM36C	High	1150	35.40	25.20	17.00	9.00	34.00	24.40	9.50	7.55	3.12	2.50
				Intermediate	750	21.80	12.60		16.05						
				Low	750	14.20	12.00		31.85						
HMH72B361S	TM9V080B12MP12C	21.0	CM36C	High	1150	35.40	25.20	17.00	9.00	34.00	24.40	9.50	7.55	3.12	2.50
				Intermediate	750	21.80	12.60		16.05						
				Low	750	14.20	12.00		31.85						
HMH72B361S	TP9C080B12MP13C	21.0	CM36C	High	1150	35.40	25.20	17.00	9.00	34.00	24.40	9.50	7.55	3.12	2.50
				Intermediate	750	21.80	12.60		16.05						
				Low	750	14.20	12.00		31.85						
HMH72B361S	TP9C080B12MP13C	21.0	CM36C	High	1150	35.40	25.20	17.00	9.00	34.00	24.40	9.50	7.55	3.12	2.50
				Intermediate	750	21.80	12.60		16.05						
				Low	750	14.20	12.00		31.85						
HMH72B361S	YP9C080B12MP13C	21.0	CM36C	High	1150	35.40	25.20	17.00	9.00	34.00	24.40	9.50	7.55	3.12	2.50
				Intermediate	750	21.80	12.60		16.05						
				Low	750	14.20	12.00		31.85						
HMH72B361S	YP9C080B12MP13C	21.0	CM36C	High	1150	35.40	25.20	17.00	9.00	34.00	24.40	9.50	7.55	3.12	2.50
				Intermediate	750	21.80	12.60		16.05						
				Low	750	14.20	12.00		31.85						
HMH72B361S	TM9V060B12MP12C	21.0	CF36C	High	1225	35.20	25.40	16.50	8.50	35.00	25.00	9.50	7.30	3.12	2.46
				Intermediate	750	21.80	12.70		15.85						
				Low	750	14.20	12.10		30.90						
HMH72B361S	TP9C060B12MP13C	21.0	CF36C	High	1225	35.20	25.40	16.50	8.50	35.00	25.00	9.50	7.30	3.12	2.46
				Intermediate	750	21.80	12.70		15.85						
				Low	750	14.20	12.10		30.90						
HMH72B361S	YP9C060B12MP13C	21.0	CF36C	High	1225	35.20	25.40	16.50	8.50	35.00	25.00	9.50	7.30	3.12	2.46
				Intermediate	750	21.80	12.70		15.85						
				Low	750	14.20	12.10		30.90						

**Table 8: Furnace capacity - 3 ton - 36k**

Outdoor unit model	Furnace model	Furnace width (in.)	Indoor coil model	Stage	Rated CFM	Net cool (MBH)	Sens cool (MBH)	SEER2	EER2	Net47 (MBH)	Net17 (MBH)	HSPF2 IV	HSPF2 V	Cop47	Cop17
HMH72B361S	TM9V060B12MP12C	21.0	CM36C	High	1225	35.20	25.40	16.50	8.50	35.00	25.00	9.50	7.30	3.12	2.46
				Intermediate	750	21.80	12.70		15.85						
				Low	750	14.20	12.10		30.90						
HMH72B361S	TM9V060B12MP12C	21.0	CM36C	High	1225	35.20	25.40	16.50	8.50	35.00	25.00	9.50	7.30	3.12	2.46
				Intermediate	750	21.80	12.70		15.85						
				Low	750	14.20	12.10		30.90						
HMH72B361S	TP9C060B12MP13C	21.0	CM36C	High	1225	35.20	25.40	16.50	8.50	35.00	25.00	9.50	7.30	3.12	2.46
				Intermediate	750	21.80	12.70		15.85						
				Low	750	14.20	12.10		30.90						
HMH72B361S	TP9C060B12MP13C	21.0	CM36C	High	1225	35.20	25.40	16.50	8.50	35.00	25.00	9.50	7.30	3.12	2.46
				Intermediate	750	21.80	12.70		15.85						
				Low	750	14.20	12.10		30.90						
HMH72B361S	YP9C060B12MP13C	21.0	CM36C	High	1225	35.20	25.40	16.50	8.50	35.00	25.00	9.50	7.30	3.12	2.46
				Intermediate	750	21.80	12.70		15.85						
				Low	750	14.20	12.10		30.90						
HMH72B361S	YP9C060B12MP13C	21.0	CM36C	High	1225	35.20	25.40	16.50	8.50	35.00	25.00	9.50	7.30	3.12	2.46
				Intermediate	750	21.80	12.70		15.85						
				Low	750	14.20	12.10		30.90						
HMH72B361S	TM9V040A10MP12C	14.5	CF36A	High	900	34.20	22.60	16.00	8.75	32.00	24.00	9.50	7.50	2.86	2.42
				Intermediate	575	21.00	10.60		15.40						
				Low	575	13.70	10.50		30.10						
HMH72B361S	TM9V040A10MP12C	14.5	CM36A	High	900	34.20	22.60	16.00	8.75	32.00	24.00	9.50	7.50	2.86	2.42
				Intermediate	575	21.00	10.60		15.40						
				Low	575	13.70	10.50		30.10						
HMH72B361S	TM9E080C16MP12	21.0	CF36C	High	1275	35.80	26.40	17.00	9.00	35.20	24.60	9.50	7.20	3.26	2.54
				Intermediate	825	22.20	13.60		16.35						
				Low	825	14.40	12.60		32.75						
HMH72B361S	TM9E080C16MP12	21.0	CM36C	High	1275	35.80	26.40	17.00	9.00	35.20	24.60	9.50	7.20	3.26	2.54
				Intermediate	825	22.20	13.60		16.35						
				Low	825	14.40	12.60		32.75						
HMH72B361S	TM9E080C16MP12	21.0	CM36C	High	1275	35.80	26.40	17.00	9.00	35.20	24.60	9.50	7.20	3.26	2.54
				Intermediate	825	22.20	13.60		16.35						
				Low	825	14.40	12.60		32.75						
HMH72B361S	TM9E080B12MP12	17.5	CF36B	High	1225	35.40	25.60	16.50	8.75	35.00	24.80	9.50	7.05	3.16	2.48
				Intermediate	825	22.20	13.70		15.90						
				Low	825	14.30	12.60		30.45						
HMH72B361S	TM9E080B12MP12	17.5	CF36B	High	1225	35.40	25.60	16.50	8.75	35.00	24.80	9.50	7.05	3.16	2.48
				Intermediate	825	22.20	13.70		15.90						
				Low	825	14.30	12.60		30.45						
HMH72B361S	TM9E080B12MP12	17.5	CM36B	High	1225	35.40	25.60	16.50	8.75	35.00	24.80	9.50	7.05	3.16	2.48
				Intermediate	825	22.20	13.70		15.90						
				Low	825	14.30	12.60		30.45						
HMH72B361S	TM9E080B12MP12	17.5	CU36B	High	1225	35.40	25.60	16.50	8.75	35.00	24.80	9.50	7.05	3.16	2.48
				Intermediate	825	22.20	13.70		15.90						
				Low	825	14.30	12.60		30.45						
HMH72B361S	TM9E060B12MP12	17.5	CF36B	High	1075	35.00	24.40	16.25	8.75	33.60	24.40	9.50	7.30	3.04	2.46
				Intermediate	775	22.00	13.10		15.70						
				Low	775	14.20	12.30		29.85						
HMH72B361S	TM9E060B12MP12	17.5	CF36B	High	1075	35.00	24.40	16.25	8.75	33.60	24.40	9.50	7.30	3.04	2.46
				Intermediate	775	22.00	13.10		15.70						
				Low	775	14.20	12.30		29.85						
HMH72B361S	TM9E060B12MP12	17.5	CM36B	High	1075	35.00	24.40	16.25	8.75	33.60	24.40	9.50	7.30	3.04	2.46
				Intermediate	775	22.00	13.10		15.70						
				Low	775	14.20	12.30		29.85						
HMH72B361S	TM9E060B12MP12	17.5	CM36B	High	1075	35.00	24.40	16.25	8.75	33.60	24.40	9.50	7.30	3.04	2.46
				Intermediate	775	22.00	13.10		15.70						
				Low	775	14.20	12.30		29.85						

**Table 8: Furnace capacity - 3 ton - 36k**

Outdoor unit model	Furnace model	Furnace width (in.)	Indoor coil model	Stage	Rated CFM	Net cool (MBH)	Sens cool (MBH)	SEER2	EER2	Net47 (MBH)	Net17 (MBH)	HSPF2 IV	HSPF2 V	Cop47	Cop17
HMH72B361S	TM9E060B12MP12	17.5	CU36B	High	1075	35.00	24.40	16.25	8.75	33.60	24.40	9.50	7.30	3.04	2.46
				Intermediate	775	22.00	13.10		15.70						
				Low	775	14.20	12.30		29.85	9.70				4.26	
HMH72B361S	TM9E060A10MP12	14.5	CF36A	High	975	34.40	23.20	16.25	8.75	32.80	24.20	9.50	7.45	2.92	2.42
				Intermediate	700	21.60	12.20		15.50						
				Low	700	14.00	11.60		29.45	9.60				4.18	
HMH72B361S	TM9E060A10MP12	14.5	CM36A	High	975	34.40	23.20	16.25	8.75	32.80	24.20	9.50	7.45	2.92	2.42
				Intermediate	700	21.60	12.20		15.50						
				Low	700	14.00	11.60		29.45	9.60				4.18	
HMH72B361S	TM8V120C20MP12C	21.0	CF36C	High	1375	36.00	27.20	17.50	9.00	35.80	24.60	9.50	6.95	3.40	2.58
				Intermediate	925	22.80	14.90		16.60						
				Low	925	14.70	13.50		33.20	9.90				4.64	
HMH72B361S	TM8V100C20MP12C	21.0	CF36C	High	1375	36.00	27.20	17.50	9.00	35.80	24.60	9.50	6.95	3.40	2.58
				Intermediate	925	22.80	14.90		16.60						
				Low	925	14.70	13.50		33.20	9.90				4.64	
HMH72B361S	TMLV120C20MP12C	21.0	CF36C	High	1375	36.00	27.20	17.50	9.00	35.80	24.60	9.50	6.95	3.40	2.58
				Intermediate	925	22.80	14.90		16.60						
				Low	925	14.70	13.50		33.20	9.90				4.64	
HMH72B361S	TPLC100C20MP13C	21.0	CF36C	High	1375	36.00	27.20	17.50	9.00	35.80	24.60	9.50	6.95	3.40	2.58
				Intermediate	925	22.80	14.90		16.60						
				Low	925	14.70	13.50		33.20	9.90				4.64	
HMH72B361S	TPLC120C20MP13C	21.0	CF36C	High	1375	36.00	27.20	17.50	9.00	35.80	24.60	9.50	6.95	3.40	2.58
				Intermediate	925	22.80	14.90		16.60						
				Low	925	14.70	13.50		33.20	9.90				4.64	
HMH72B361S	YPLC100C20MP13C	21.0	CF36C	High	1375	36.00	27.20	17.50	9.00	35.80	24.60	9.50	6.95	3.40	2.58
				Intermediate	925	22.80	14.90		16.60						
				Low	925	14.70	13.50		33.20	9.90				4.64	
HMH72B361S	YPLC120C20MP13C	21.0	CF36C	High	1375	36.00	27.20	17.50	9.00	35.80	24.60	9.50	6.95	3.40	2.58
				Intermediate	925	22.80	14.90		16.60						
				Low	925	14.70	13.50		33.20	9.90				4.64	
HMH72B361S	TM8V120C20MP12C	21.0	CM36C	High	1375	36.00	27.20	17.50	9.00	35.80	24.60	9.50	6.95	3.40	2.58
				Intermediate	925	22.80	14.90		16.60						
				Low	925	14.70	13.50		33.20	9.90				4.64	
HMH72B361S	TM8V120C20MP12C	21.0	CM36C	High	1375	36.00	27.20	17.50	9.00	35.80	24.60	9.50	6.95	3.40	2.58
				Intermediate	925	22.80	14.90		16.60						
				Low	925	14.70	13.50		33.20	9.90				4.64	
HMH72B361S	TM8V100C20MP12C	21.0	CM36C	High	1375	36.00	27.20	17.50	9.00	35.80	24.60	9.50	6.95	3.40	2.58
				Intermediate	925	22.80	14.90		16.60						
				Low	925	14.70	13.50		33.20	9.90				4.64	
HMH72B361S	TM8V100C20MP12C	21.0	CM36C	High	1375	36.00	27.20	17.50	9.00	35.80	24.60	9.50	6.95	3.40	2.58
				Intermediate	925	22.80	14.90		16.60						
				Low	925	14.70	13.50		33.20	9.90				4.64	
HMH72B361S	TM8V100C20MP12C	21.0	CM36C	High	1375	36.00	27.20	17.50	9.00	35.80	24.60	9.50	6.95	3.40	2.58
				Intermediate	925	22.80	14.90		16.60						
				Low	925	14.70	13.50		33.20	9.90				4.64	
HMH72B361S	TMLV120C20MP12C	21.0	CM36C	High	1375	36.00	27.20	17.50	9.00	35.80	24.60	9.50	6.95	3.40	2.58
				Intermediate	925	22.80	14.90		16.60						
				Low	925	14.70	13.50		33.20	9.90				4.64	
HMH72B361S	TMLV120C20MP12C	21.0	CM36C	High	1375	36.00	27.20	17.50	9.00	35.80	24.60	9.50	6.95	3.40	2.58
				Intermediate	925	22.80	14.90		16.60						
				Low	925	14.70	13.50		33.20	9.90				4.64	
HMH72B361S	TPLC100C20MP13C	21.0	CM36C	High	1375	36.00	27.20	17.50	9.00	35.80	24.60	9.50	6.95	3.40	2.58
				Intermediate	925	22.80	14.90		16.60						
				Low	925	14.70	13.50		33.20	9.90				4.64	
HMH72B361S	TPLC100C20MP13C	21.0	CM36C	High	1375	36.00	27.20	17.50	9.00	35.80	24.60	9.50	6.95	3.40	2.58
				Intermediate	925	22.80	14.90		16.60						
				Low	925	14.70	13.50		33.20	9.90				4.64	
HMH72B361S	TPLC120C20MP13C	21.0	CM36C	High	1375	36.00	27.20	17.50	9.00	35.80	24.60	9.50	6.95	3.40	2.58
				Intermediate	925	22.80	14.90		16.60						
				Low	925	14.70	13.50		33.20	9.90				4.64	
HMH72B361S	TPLC120C20MP13C	21.0	CM36C	High	1375	36.00	27.20	17.50	9.00	35.80	24.60	9.50	6.95	3.40	2.58
				Intermediate	925	22.80	14.90		16.60						
				Low	925	14.70	13.50		33.20	9.90				4.64	

**Table 8: Furnace capacity - 3 ton - 36k**

Outdoor unit model	Furnace model	Furnace width (in.)	Indoor coil model	Stage	Rated CFM	Net cool (MBH)	Sens cool (MBH)	SEER2	EER2	Net47 (MBH)	Net17 (MBH)	HSPF2 IV	HSPF2 V	Cop47	Cop17
HMH72B361S	YPLC100C20MP13C	21.0	CM36C	High	1375	36.00	27.20	17.50	9.00	35.80	24.60	9.50	6.95	3.40	2.58
				Intermediate	925	22.80	14.90		16.60						
				Low	925	14.70	13.50		33.20						
HMH72B361S	YPLC100C20MP13C	21.0	CM36C	High	1375	36.00	27.20	17.50	9.00	35.80	24.60	9.50	6.95	3.40	2.58
				Intermediate	925	22.80	14.90		16.60						
				Low	925	14.70	13.50		33.20						
HMH72B361S	YPLC120C20MP13C	21.0	CM36C	High	1375	36.00	27.20	17.50	9.00	35.80	24.60	9.50	6.95	3.40	2.58
				Intermediate	925	22.80	14.90		16.60						
				Low	925	14.70	13.50		33.20						
HMH72B361S	YPLC120C20MP13C	21.0	CM36C	High	1375	36.00	27.20	17.50	9.00	35.80	24.60	9.50	6.95	3.40	2.58
				Intermediate	925	22.80	14.90		16.60						
				Low	925	14.70	13.50		33.20						
HMH72B361S	TM8V100C16MP12C	21.0	CF36C	High	1275	36.00	26.60	17.00	9.00	35.00	24.60	9.50	7.10	3.28	2.54
				Intermediate	850	22.40	14.00		16.35						
				Low	850	14.50	12.90		32.45						
HMH72B361S	TM8V080C16MP12C	21.0	CF36C	High	1275	36.00	26.60	17.00	9.00	35.00	24.60	9.50	7.10	3.28	2.54
				Intermediate	850	22.40	14.00		16.35						
				Low	850	14.50	12.90		32.45						
HMH72B361S	TMLV100C16MP12C	21.0	CF36C	High	1275	36.00	26.60	17.00	9.00	35.00	24.60	9.50	7.10	3.28	2.54
				Intermediate	850	22.40	14.00		16.35						
				Low	850	14.50	12.90		32.45						
HMH72B361S	TPLC080C16MP13C	21.0	CF36C	High	1275	36.00	26.60	17.00	9.00	35.00	24.60	9.50	7.10	3.28	2.54
				Intermediate	850	22.40	14.00		16.35						
				Low	850	14.50	12.90		32.45						
HMH72B361S	TPLC100C16MP13C	21.0	CF36C	High	1275	36.00	26.60	17.00	9.00	35.00	24.60	9.50	7.10	3.28	2.54
				Intermediate	850	22.40	14.00		16.35						
				Low	850	14.50	12.90		32.45						
HMH72B361S	YPLC080C16MP13C	21.0	CF36C	High	1275	36.00	26.60	17.00	9.00	35.00	24.60	9.50	7.10	3.28	2.54
				Intermediate	850	22.40	14.00		16.35						
				Low	850	14.50	12.90		32.45						
HMH72B361S	YPLC100C16MP13C	21.0	CF36C	High	1275	36.00	26.60	17.00	9.00	35.00	24.60	9.50	7.10	3.28	2.54
				Intermediate	850	22.40	14.00		16.35						
				Low	850	14.50	12.90		32.45						
HMH72B361S	YPLC080C16MP13C	21.0	CF36C	High	1275	36.00	26.60	17.00	9.00	35.00	24.60	9.50	7.10	3.28	2.54
				Intermediate	850	22.40	14.00		16.35						
				Low	850	14.50	12.90		32.45						
HMH72B361S	YPLC100C16MP13C	21.0	CF36C	High	1275	36.00	26.60	17.00	9.00	35.00	24.60	9.50	7.10	3.28	2.54
				Intermediate	850	22.40	14.00		16.35						
				Low	850	14.50	12.90		32.45						
HMH72B361S	TM8V100C16MP12C	21.0	CM36C	High	1275	36.00	26.60	17.00	9.00	35.00	24.60	9.50	7.10	3.28	2.54
				Intermediate	850	22.40	14.00		16.35						
				Low	850	14.50	12.90		32.45						
HMH72B361S	TM8V100C16MP12C	21.0	CM36C	High	1275	36.00	26.60	17.00	9.00	35.00	24.60	9.50	7.10	3.28	2.54
				Intermediate	850	22.40	14.00		16.35						
				Low	850	14.50	12.90		32.45						
HMH72B361S	TM8V080C16MP12C	21.0	CM36C	High	1275	36.00	26.60	17.00	9.00	35.00	24.60	9.50	7.10	3.28	2.54
				Intermediate	850	22.40	14.00		16.35						
				Low	850	14.50	12.90		32.45						
HMH72B361S	TM8V080C16MP12C	21.0	CM36C	High	1275	36.00	26.60	17.00	9.00	35.00	24.60	9.50	7.10	3.28	2.54
				Intermediate	850	22.40	14.00		16.35						
				Low	850	14.50	12.90		32.45						
HMH72B361S	TMLV100C16MP12C	21.0	CM36C	High	1275	36.00	26.60	17.00	9.00	35.00	24.60	9.50	7.10	3.28	2.54
				Intermediate	850	22.40	14.00		16.35						
				Low	850	14.50	12.90		32.45						
HMH72B361S	TMLV100C16MP12C	21.0	CM36C	High	1275	36.00	26.60	17.00	9.00	35.00	24.60	9.50	7.10	3.28	2.54
				Intermediate	850	22.40	14.00		16.35						
				Low	850	14.50	12.90		32.45						
HMH72B361S	TPLC080C16MP13C	21.0	CM36C	High	1275	36.00	26.60	17.00	9.00	35.00	24.60	9.50	7.10	3.28	2.54
				Intermediate	850	22.40	14.00		16.35						
				Low	850	14.50	12.90		32.45						
HMH72B361S	TPLC080C16MP13C	21.0	CM36C	High	1275	36.00	26.60	17.00	9.00	35.00	24.60	9.50	7.10	3.28	2.54
				Intermediate	850	22.40	14.00		16.35						
				Low	850	14.50	12.90		32.45						
HMH72B361S	TPLC100C16MP13C	21.0	CM36C	High	1275	36.00	26.60	17.00	9.00	35.00	24.60	9.50	7.10	3.28	2.54
				Intermediate	850	22.40	14.00		16.35						
				Low	850	14.50	12.90		32.45						

**Table 8: Furnace capacity - 3 ton - 36k**

Outdoor unit model	Furnace model	Furnace width (in.)	Indoor coil model	Stage	Rated CFM	Net cool (MBH)	Sens cool (MBH)	SEER2	EER2	Net47 (MBH)	Net17 (MBH)	HSPF2 IV	HSPF2 V	Cop47	Cop17
HMH72B361S	TPLC100C16MP13C	21.0	CM36C	High	1275	36.00	26.60	17.00	9.00	35.00	24.60	9.50	7.10	3.28	2.54
				Intermediate	850	22.40	14.00		16.35						
				Low	850	14.50	12.90		32.45						
HMH72B361S	YPLC080C16MP13C	21.0	CM36C	High	1275	36.00	26.60	17.00	9.00	35.00	24.60	9.50	7.10	3.28	2.54
				Intermediate	850	22.40	14.00		16.35						
				Low	850	14.50	12.90		32.45						
HMH72B361S	YPLC080C16MP13C	21.0	CM36C	High	1275	36.00	26.60	17.00	9.00	35.00	24.60	9.50	7.10	3.28	2.54
				Intermediate	850	22.40	14.00		16.35						
				Low	850	14.50	12.90		32.45						
HMH72B361S	YPLC100C16MP13C	21.0	CM36C	High	1275	36.00	26.60	17.00	9.00	35.00	24.60	9.50	7.10	3.28	2.54
				Intermediate	850	22.40	14.00		16.35						
				Low	850	14.50	12.90		32.45						
HMH72B361S	YPLC100C16MP13C	21.0	CM36C	High	1275	36.00	26.60	17.00	9.00	35.00	24.60	9.50	7.10	3.28	2.54
				Intermediate	850	22.40	14.00		16.35						
				Low	850	14.50	12.90		32.45						
HMH72B361S	YPLC100C16MP13C	21.0	CM36C	High	1275	36.00	26.60	17.00	9.00	35.00	24.60	9.50	7.10	3.28	2.54
				Intermediate	850	22.40	14.00		16.35						
				Low	850	14.50	12.90		32.45						
HMH72B361S	TM8V060A12MP12C	17.5	CF36B	High	1275	35.60	26.20	16.50	8.75	35.40	25.00	9.50	7.25	3.20	2.48
				Intermediate	850	22.20	13.90		15.95						
				Low	850	14.40	12.90		30.40						
HMH72B361S	TMLV060A12MP12C	17.5	CF36B	High	1275	35.60	26.20	16.50	8.75	35.40	25.00	9.50	7.25	3.20	2.48
				Intermediate	850	22.20	13.90		15.95						
				Low	850	14.40	12.90		30.40						
HMH72B361S	TPLC060A12MP13C	17.5	CF36B	High	1275	35.60	26.20	16.50	8.75	35.40	25.00	9.50	7.25	3.20	2.48
				Intermediate	850	22.20	13.90		15.95						
				Low	850	14.40	12.90		30.40						
HMH72B361S	YPLC060A12MP13C	17.5	CF36B	High	1275	35.60	26.20	16.50	8.75	35.40	25.00	9.50	7.25	3.20	2.48
				Intermediate	850	22.20	13.90		15.95						
				Low	850	14.40	12.90		30.40						
HMH72B361S	TM8V060A12MP12C	17.5	CF36B	High	1275	35.60	26.20	16.50	8.75	35.40	25.00	9.50	7.25	3.20	2.48
				Intermediate	850	22.20	13.90		15.95						
				Low	850	14.40	12.90		30.40						
HMH72B361S	TM8V060A12MP12C	17.5	CM36B	High	1275	35.60	26.20	16.50	8.75	35.40	25.00	9.50	7.25	3.20	2.48
				Intermediate	850	22.20	13.90		15.95						
				Low	850	14.40	12.90		30.40						
HMH72B361S	TM8V060A12MP12C	17.5	CM36B	High	1275	35.60	26.20	16.50	8.75	35.40	25.00	9.50	7.25	3.20	2.48
				Intermediate	850	22.20	13.90		15.95						
				Low	850	14.40	12.90		30.40						
HMH72B361S	TM8V060A12MP12C	17.5	CU36B	High	1275	35.60	26.20	16.50	8.75	35.40	25.00	9.50	7.25	3.20	2.48
				Intermediate	850	22.20	13.90		15.95						
				Low	850	14.40	12.90		30.40						
HMH72B361S	TMLV060A12MP12C	17.5	CF36B	High	1275	35.60	26.20	16.50	8.75	35.40	25.00	9.50	7.25	3.20	2.48
				Intermediate	850	22.20	13.90		15.95						
				Low	850	14.40	12.90		30.40						
HMH72B361S	TMLV060A12MP12C	17.5	CM36B	High	1275	35.60	26.20	16.50	8.75	35.40	25.00	9.50	7.25	3.20	2.48
				Intermediate	850	22.20	13.90		15.95						
				Low	850	14.40	12.90		30.40						
HMH72B361S	TMLV060A12MP12C	17.5	CM36B	High	1275	35.60	26.20	16.50	8.75	35.40	25.00	9.50	7.25	3.20	2.48
				Intermediate	850	22.20	13.90		15.95						
				Low	850	14.40	12.90		30.40						
HMH72B361S	TMLV060A12MP12C	17.5	CU36B	High	1275	35.60	26.20	16.50	8.75	35.40	25.00	9.50	7.25	3.20	2.48
				Intermediate	850	22.20	13.90		15.95						
				Low	850	14.40	12.90		30.40						
HMH72B361S	TPLC060A12MP13C	17.5	CF36B	High	1275	35.60	26.20	16.50	8.75	35.40	25.00	9.50	7.25	3.20	2.48
				Intermediate	850	22.20	13.90		15.95						
				Low	850	14.40	12.90		30.40						
HMH72B361S	TPLC060A12MP13C	17.5	CM36B	High	1275	35.60	26.20	16.50	8.75	35.40	25.00	9.50	7.25	3.20	2.48
				Intermediate	850	22.20	13.90		15.95						
				Low	850	14.40	12.90		30.40						
HMH72B361S	TPLC060A12MP13C	17.5	CM36B	High	1275	35.60	26.20	16.50	8.75	35.40	25.00	9.50	7.25	3.20	2.48
				Intermediate	850	22.20	13.90		15.95						
				Low	850	14.40	12.90		30.40						



**Table 8: Furnace capacity - 3 ton - 36k**

Outdoor unit model	Furnace model	Furnace width (in.)	Indoor coil model	Stage	Rated CFM	Net cool (MBH)	Sens cool (MBH)	SEER2	EER2	Net47 (MBH)	Net17 (MBH)	HSPF2 IV	HSPF2 V	Cop47	Cop17
HMH72B361S	TPLC060A12MP13C	17.5	CU36B	High	1275	35.60	26.20	16.50	8.75	35.40	25.00	9.50	7.25	3.20	2.48
				Intermediate	850	22.20	13.90		15.95						
				Low	850	14.40	12.90		30.40						
HMH72B361S	YPLC060A12MP13C	17.5	CF36B	High	1275	35.60	26.20	16.50	8.75	35.40	25.00	9.50	7.25	3.20	2.48
				Intermediate	850	22.20	13.90		15.95						
				Low	850	14.40	12.90		30.40						
HMH72B361S	YPLC060A12MP13C	17.5	CM36B	High	1275	35.60	26.20	16.50	8.75	35.40	25.00	9.50	7.25	3.20	2.48
				Intermediate	850	22.20	13.90		15.95						
				Low	850	14.40	12.90		30.40						
HMH72B361S	YPLC060A12MP13C	17.5	CM36B	High	1275	35.60	26.20	16.50	8.75	35.40	25.00	9.50	7.25	3.20	2.48
				Intermediate	850	22.20	13.90		15.95						
				Low	850	14.40	12.90		30.40						
HMH72B361S	YPLC060A12MP13C	17.5	CU36B	High	1275	35.60	26.20	16.50	8.75	35.40	25.00	9.50	7.25	3.20	2.48
				Intermediate	850	22.20	13.90		15.95						
				Low	850	14.40	12.90		30.40						
HMH72B361S	TM8V060A12MP12C	14.5	CF36A	High	1050	34.80	24.00	16.50	8.75	33.20	24.20	9.50	7.45	3.00	2.46
				Intermediate	725	21.80	12.50		15.85						
				Low	725	14.10	11.80		30.90						
HMH72B361S	TMLV060A12MP12C	14.5	CF36A	High	1050	34.80	24.00	16.50	8.75	33.20	24.20	9.50	7.45	3.00	2.46
				Intermediate	725	21.80	12.50		15.85						
				Low	725	14.10	11.80		30.90						
HMH72B361S	TPLC060A12MP13C	14.5	CF36A	High	1050	34.80	24.00	16.50	8.75	33.20	24.20	9.50	7.45	3.00	2.46
				Intermediate	725	21.80	12.50		15.85						
				Low	725	14.10	11.80		30.90						
HMH72B361S	YPLC060A12MP13C	14.5	CF36A	High	1050	34.80	24.00	16.50	8.75	33.20	24.20	9.50	7.45	3.00	2.46
				Intermediate	725	21.80	12.50		15.85						
				Low	725	14.10	11.80		30.90						
HMH72B361S	YPLC060A12MP13C	14.5	CF36A	High	1050	34.80	24.00	16.50	8.75	33.20	24.20	9.50	7.45	3.00	2.46
				Intermediate	725	21.80	12.50		15.85						
				Low	725	14.10	11.80		30.90						
HMH72B361S	TM8V060A12MP12C	14.5	CM36A	High	1050	34.80	24.00	16.50	8.75	33.20	24.20	9.50	7.45	3.00	2.46
				Intermediate	725	21.80	12.50		15.85						
				Low	725	14.10	11.80		30.90						
HMH72B361S	TMLV060A12MP12C	14.5	CM36A	High	1050	34.80	24.00	16.50	8.75	33.20	24.20	9.50	7.45	3.00	2.46
				Intermediate	725	21.80	12.50		15.85						
				Low	725	14.10	11.80		30.90						
HMH72B361S	TPLC060A12MP13C	14.5	CM36A	High	1050	34.80	24.00	16.50	8.75	33.20	24.20	9.50	7.45	3.00	2.46
				Intermediate	725	21.80	12.50		15.85						
				Low	725	14.10	11.80		30.90						
HMH72B361S	YPLC060A12MP13C	14.5	CM36A	High	1050	34.80	24.00	16.50	8.75	33.20	24.20	9.50	7.45	3.00	2.46
				Intermediate	725	21.80	12.50		15.85						
				Low	725	14.10	11.80		30.90						
HMH72B361S	TM8E120C16MP11	21.0	CF36C	High	1300	36.00	26.80	17.25	9.00	35.20	24.60	9.50	7.20	3.30	2.56
				Intermediate	875	22.40	14.20		16.50						
				Low	875	14.60	13.10		33.00						
HMH72B361S	TMLE120C16MP11	21.0	CF36C	High	1300	36.00	26.80	17.25	9.00	35.20	24.60	9.50	7.20	3.30	2.56
				Intermediate	875	22.40	14.20		16.50						
				Low	875	14.60	13.10		33.00						
HMH72B361S	TM8E120C16MP11	21.0	CM36C	High	1300	36.00	26.80	17.25	9.00	35.20	24.60	9.50	7.20	3.30	2.56
				Intermediate	875	22.40	14.20		16.50						
				Low	875	14.60	13.10		33.00						
HMH72B361S	TMLE120C16MP11	21.0	CF36C	High	1300	36.00	26.80	17.25	9.00	35.20	24.60	9.50	7.20	3.30	2.56
				Intermediate	875	22.40	14.20		16.50						
				Low	875	14.60	13.10		33.00						
HMH72B361S	TMLE120C16MP11	21.0	CM36C	High	1300	36.00	26.80	17.25	9.00	35.20	24.60	9.50	7.20	3.30	2.56
				Intermediate	875	22.40	14.20		16.50						
				Low	875	14.60	13.10		33.00						
HMH72B361S	TM8E100C16MP11	21.0	CF36C	High	1300	36.00	26.80	17.25	9.00	35.20	24.60	9.50	7.20	3.30	2.56
				Intermediate	875	22.40	14.20		16.50						
				Low	875	14.60	13.10		33.10						

**Table 8: Furnace capacity - 3 ton - 36k**

Outdoor unit model	Furnace model	Furnace width (in.)	Indoor coil model	Stage	Rated CFM	Net cool (MBH)	Sens cool (MBH)	SEER2	EER2	Net47 (MBH)	Net17 (MBH)	HSPF2 IV	HSPF2 V	Cop47	Cop17
HMH72B361S	TMLE100C16MP11	21.0	CF36C	High	1300	36.00	26.80	17.25	9.00	35.20	24.60	9.50	7.20	3.30	2.56
				Intermediate	875	22.40	14.20		16.50						
				Low	875	14.60	13.10		33.10						
HMH72B361S	TM8E100C16MP11	21.0	CM36C	High	1300	36.00	26.80	17.25	9.00	35.20	24.60	9.50	7.20	3.30	2.56
				Intermediate	875	22.40	14.20		16.50						
				Low	875	14.60	13.10		33.10						
HMH72B361S	TM8E100C16MP11	21.0	CM36C	High	1300	36.00	26.80	17.25	9.00	35.20	24.60	9.50	7.20	3.30	2.56
				Intermediate	875	22.40	14.20		16.50						
				Low	875	14.60	13.10		33.10						
HMH72B361S	TMLE100C16MP11	21.0	CM36C	High	1300	36.00	26.80	17.25	9.00	35.20	24.60	9.50	7.20	3.30	2.56
				Intermediate	875	22.40	14.20		16.50						
				Low	875	14.60	13.10		33.10						
HMH72B361S	TMLE100C16MP11	21.0	CM36C	High	1300	36.00	26.80	17.25	9.00	35.20	24.60	9.50	7.20	3.30	2.56
				Intermediate	875	22.40	14.20		16.50						
				Low	875	14.60	13.10		33.10						
HMH72B361S	TM8E100B12MP11	21.0	CF36C	High	1250	35.80	26.20	17.00	9.00	35.00	24.60	9.50	7.35	3.22	2.52
				Intermediate	800	22.20	13.40		16.35						
				Low	800	14.40	12.50		33.05						
HMH72B361S	TMLE100B12MP11	21.0	CF36C	High	1250	35.80	26.20	17.00	9.00	35.00	24.60	9.50	7.35	3.22	2.52
				Intermediate	800	22.20	13.40		16.35						
				Low	800	14.40	12.50		33.05						
HMH72B361S	TM8E100B12MP11	21.0	CM36C	High	1250	35.80	26.20	17.00	9.00	35.00	24.60	9.50	7.35	3.22	2.52
				Intermediate	800	22.20	13.40		16.35						
				Low	800	14.40	12.50		33.05						
HMH72B361S	TM8E100B12MP11	21.0	CM36C	High	1250	35.80	26.20	17.00	9.00	35.00	24.60	9.50	7.35	3.22	2.52
				Intermediate	800	22.20	13.40		16.35						
				Low	800	14.40	12.50		33.05						
HMH72B361S	TMLE100B12MP11	21.0	CM36C	High	1250	35.80	26.20	17.00	9.00	35.00	24.60	9.50	7.35	3.22	2.52
				Intermediate	800	22.20	13.40		16.35						
				Low	800	14.40	12.50		33.05						
HMH72B361S	TMLE100B12MP11	21.0	CM36C	High	1250	35.80	26.20	17.00	9.00	35.00	24.60	9.50	7.35	3.22	2.52
				Intermediate	800	22.20	13.40		16.35						
				Low	800	14.40	12.50		33.05						
HMH72B361S	TM8E080C16MP11	21.0	CF36C	High	1275	36.00	26.60	17.25	9.00	35.00	24.40	9.50	7.25	3.28	2.56
				Intermediate	875	22.40	14.20		16.40						
				Low	875	14.50	13.00		32.65						
HMH72B361S	TMLE080C16MP11	21.0	CF36C	High	1275	36.00	26.60	17.25	9.00	35.00	24.40	9.50	7.25	3.28	2.56
				Intermediate	875	22.40	14.20		16.40						
				Low	875	14.50	13.00		32.65						
HMH72B361S	TM8E080C16MP11	21.0	CM36C	High	1275	36.00	26.60	17.25	9.00	35.00	24.40	9.50	7.25	3.28	2.56
				Intermediate	875	22.40	14.20		16.40						
				Low	875	14.50	13.00		32.65						
HMH72B361S	TMLE080C16MP11	21.0	CM36C	High	1275	36.00	26.60	17.25	9.00	35.00	24.40	9.50	7.25	3.28	2.56
				Intermediate	875	22.40	14.20		16.40						
				Low	875	14.50	13.00		32.65						
HMH72B361S	TMLE080C16MP11	21.0	CM36C	High	1275	36.00	26.60	17.25	9.00	35.00	24.40	9.50	7.25	3.28	2.56
				Intermediate	875	22.40	14.20		16.40						
				Low	875	14.50	13.00		32.65						
HMH72B361S	TM8E080B12MP11	21.0	CF36C	High	1250	35.60	26.00	16.50	8.75	35.00	24.60	9.50	6.90	3.20	2.50
				Intermediate	950	22.60	15.10		15.85						
				Low	950	14.60	13.80		29.15						
HMH72B361S	TMLE080B12MP11	21.0	CF36C	High	1250	35.60	26.00	16.50	8.75	35.00	24.60	9.50	6.90	3.20	2.50
				Intermediate	950	22.60	15.10		15.85						
				Low	950	14.60	13.80		29.15						
HMH72B361S	TM8E080B12MP11	21.0	CM36C	High	1250	35.60	26.00	16.50	8.75	35.00	24.60	9.50	6.90	3.20	2.50
				Intermediate	950	22.60	15.10		15.85						
				Low	950	14.60	13.80		29.15						

**Table 8: Furnace capacity - 3 ton - 36k**

Outdoor unit model	Furnace model	Furnace width (in.)	Indoor coil model	Stage	Rated CFM	Net cool (MBH)	Sens cool (MBH)	SEER2	EER2	Net47 (MBH)	Net17 (MBH)	HSPF2 IV	HSPF2 V	Cop47	Cop17
HMH72B361S	TM8E080B12MP11	21.0	CM36C	High	1250	35.60	26.00	16.50	8.75	35.00	24.60	9.50	6.90	3.20	2.50
				Intermediate	950	22.60	15.10		15.85						
				Low	950	14.60	13.80		29.15						
HMH72B361S	TMLE080B12MP11	21.0	CM36C	High	1250	35.60	26.00	16.50	8.75	35.00	24.60	9.50	6.90	3.20	2.50
				Intermediate	950	22.60	15.10		15.85						
				Low	950	14.60	13.80		29.15						
HMH72B361S	TMLE080B12MP11	21.0	CM36C	High	1250	35.60	26.00	16.50	8.75	35.00	24.60	9.50	6.90	3.20	2.50
				Intermediate	950	22.60	15.10		15.85						
				Low	950	14.60	13.80		29.15						
HMH72B361S	TM8E060A12MP11	17.5	CF36B	High	1225	35.60	25.80	16.75	8.75	34.80	24.60	9.75	7.45	3.16	2.50
				Intermediate	800	22.00	13.20		16.10						
				Low	800	14.30	12.40		31.60						
HMH72B361S	TMLE060A12MP11	17.5	CF36B	High	1225	35.60	25.80	16.75	8.75	34.80	24.60	9.75	7.45	3.16	2.50
				Intermediate	800	22.00	13.20		16.10						
				Low	800	14.30	12.40		31.60						
HMH72B361S	TM8E060A12MP11	17.5	CF36B	High	1225	35.60	25.80	16.75	8.75	34.80	24.60	9.75	7.45	3.16	2.50
				Intermediate	800	22.00	13.20		16.10						
				Low	800	14.30	12.40		31.60						
HMH72B361S	TMLE060A12MP11	17.5	CF36B	High	1225	35.60	25.80	16.75	8.75	34.80	24.60	9.75	7.45	3.16	2.50
				Intermediate	800	22.00	13.20		16.10						
				Low	800	14.30	12.40		31.60						
HMH72B361S	TM8E060A12MP11	17.5	CM36B	High	1225	35.60	25.80	16.75	8.75	34.80	24.60	9.75	7.45	3.16	2.50
				Intermediate	800	22.00	13.20		16.10						
				Low	800	14.30	12.40		31.60						
HMH72B361S	TM8E060A12MP11	17.5	CM36B	High	1225	35.60	25.80	16.75	8.75	34.80	24.60	9.75	7.45	3.16	2.50
				Intermediate	800	22.00	13.20		16.10						
				Low	800	14.30	12.40		31.60						
HMH72B361S	TM8E060A12MP11	17.5	CU36B	High	1225	35.60	25.80	16.75	8.75	34.80	24.60	9.75	7.45	3.16	2.50
				Intermediate	800	22.00	13.20		16.10						
				Low	800	14.30	12.40		31.60						
HMH72B361S	TMLE060A12MP11	17.5	CF36B	High	1225	35.60	25.80	16.75	8.75	34.80	24.60	9.75	7.45	3.16	2.50
				Intermediate	800	22.00	13.20		16.10						
				Low	800	14.30	12.40		31.60						
HMH72B361S	TMLE060A12MP11	17.5	CM36B	High	1225	35.60	25.80	16.75	8.75	34.80	24.60	9.75	7.45	3.16	2.50
				Intermediate	800	22.00	13.20		16.10						
				Low	800	14.30	12.40		31.60						
HMH72B361S	TMLE060A12MP11	17.5	CM36B	High	1225	35.60	25.80	16.75	8.75	34.80	24.60	9.75	7.45	3.16	2.50
				Intermediate	800	22.00	13.20		16.10						
				Low	800	14.30	12.40		31.60						
HMH72B361S	TMLE060A12MP11	17.5	CU36B	High	1225	35.60	25.80	16.75	8.75	34.80	24.60	9.75	7.45	3.16	2.50
				Intermediate	800	22.00	13.20		16.10						
				Low	800	14.30	12.40		31.60						
HMH72B361S	TM8E060A12MP11	14.5	CF36A	High	1150	35.00	24.80	16.50	8.75	34.40	24.60	9.50	7.35	3.06	2.46
				Intermediate	775	22.00	13.10		15.90						
				Low	775	14.20	12.20		30.85						
HMH72B361S	TMLE060A12MP11	14.5	CF36A	High	1150	35.00	24.80	16.50	8.75	34.40	24.60	9.50	7.35	3.06	2.46
				Intermediate	775	22.00	13.10		15.90						
				Low	775	14.20	12.20		30.85						
HMH72B361S	TM8E060A12MP11	14.5	CM36A	High	1150	35.00	24.80	16.50	8.75	34.40	24.60	9.50	7.35	3.06	2.46
				Intermediate	775	22.00	13.10		15.90						
				Low	775	14.20	12.20		30.85						
HMH72B361S	TMLE060A12MP11	14.5	CM36A	High	1150	35.00	24.80	16.50	8.75	34.40	24.60	9.50	7.35	3.06	2.46
				Intermediate	775	22.00	13.10		15.90						
				Low	775	14.20	12.20		30.85						
HMH72B361S	TM8E040A12MP11	17.5	CF36B	High	1200	35.60	25.80	17.00	8.75	34.60	24.60	9.50	7.50	3.16	2.50
				Intermediate	850	22.40	14.00		16.25						
				Low	850	14.40	12.80		31.90						
HMH72B361S	TMLE040A12MP11	17.5	CF36B	High	1200	35.60	25.80	17.00	8.75	34.60	24.60	9.50	7.50	3.16	2.50
				Intermediate	850	22.40	14.00		16.25						
				Low	850	14.40	12.80		31.90						
HMH72B361S	TM8E040A12MP11	17.5	CF36B	High	1200	35.60	25.80	17.00	8.75	34.60	24.60	9.50	7.50	3.16	2.50
				Intermediate	850	22.40	14.00		16.25						
				Low	850	14.40	12.80		31.90						

**Table 8: Furnace capacity - 3 ton - 36k**

Outdoor unit model	Furnace model	Furnace width (in.)	Indoor coil model	Stage	Rated CFM	Net cool (MBH)	Sens cool (MBH)	SEER2	EER2	Net47 (MBH)	Net17 (MBH)	HSPF2 IV	HSPF2 V	Cop47	Cop17
HMH72B361S	TM8E040A12MP11	17.5	CM36B	High	1200	35.60	25.80	17.00	8.75	34.60	24.60	9.50	7.50	3.16	2.50
				Intermediate	850	22.40	14.00		16.25						
				Low	850	14.40	12.80		31.90						
HMH72B361S	TM8E040A12MP11	17.5	CM36B	High	1200	35.60	25.80	17.00	8.75	34.60	24.60	9.50	7.50	3.16	2.50
				Intermediate	850	22.40	14.00		16.25						
				Low	850	14.40	12.80		31.90						
HMH72B361S	TM8E040A12MP11	17.5	CU36B	High	1200	35.60	25.80	17.00	8.75	34.60	24.60	9.50	7.50	3.16	2.50
				Intermediate	850	22.40	14.00		16.25						
				Low	850	14.40	12.80		31.90						
HMH72B361S	TMLE040A12MP11	17.5	CF36B	High	1200	35.60	25.80	17.00	8.75	34.60	24.60	9.50	7.50	3.16	2.50
				Intermediate	850	22.40	14.00		16.25						
				Low	850	14.40	12.80		31.90						
HMH72B361S	TMLE040A12MP11	17.5	CM36B	High	1200	35.60	25.80	17.00	8.75	34.60	24.60	9.50	7.50	3.16	2.50
				Intermediate	850	22.40	14.00		16.25						
				Low	850	14.40	12.80		31.90						
HMH72B361S	TMLE040A12MP11	17.5	CM36B	High	1200	35.60	25.80	17.00	8.75	34.60	24.60	9.50	7.50	3.16	2.50
				Intermediate	850	22.40	14.00		16.25						
				Low	850	14.40	12.80		31.90						
HMH72B361S	TMLE040A12MP11	17.5	CU36B	High	1200	35.60	25.80	17.00	8.75	34.60	24.60	9.50	7.50	3.16	2.50
				Intermediate	850	22.40	14.00		16.25						
				Low	850	14.40	12.80		31.90						
HMH72B361S	TL9E060B12UH11	21.0	CF36C	High	1225	35.40	25.60	16.50	8.50	35.00	24.80	9.50	7.35	3.14	2.46
				Intermediate	700	21.60	12.10		15.95						
				Low	700	14.10	11.60		31.85						
HMH72B361S	TL9E060B12UH11	21.0	CM36C	High	1225	35.40	25.60	16.50	8.50	35.00	24.80	9.50	7.35	3.14	2.46
				Intermediate	700	21.60	12.10		15.95						
				Low	700	14.10	11.60		31.85						
HMH72B361S	TL9E060B12UH11	21.0	CM36C	High	1225	35.40	25.60	16.50	8.50	35.00	24.80	9.50	7.35	3.14	2.46
				Intermediate	700	21.60	12.10		15.95						
				Low	700	14.10	11.60		31.85						
HMH72B361S	TL9E060B12UH11	17.5	CF36B	High	1025	34.80	24.00	16.50	8.75	33.00	24.20	9.50	7.25	3.00	2.46
				Intermediate	675	21.60	11.90		15.85						
				Low	675	14.00	11.40		31.40						
HMH72B361S	TL9E060B12UH11	17.5	CF36B	High	1025	34.80	24.00	16.50	8.75	33.00	24.20	9.50	7.25	3.00	2.46
				Intermediate	675	21.60	11.90		15.85						
				Low	675	14.00	11.40		31.40						
HMH72B361S	TL9E060B12UH11	17.5	CM36B	High	1025	34.80	24.00	16.50	8.75	33.00	24.20	9.50	7.25	3.00	2.46
				Intermediate	675	21.60	11.90		15.85						
				Low	675	14.00	11.40		31.40						
HMH72B361S	TL9E060B12UH11	17.5	CM36B	High	1025	34.80	24.00	16.50	8.75	33.00	24.20	9.50	7.25	3.00	2.46
				Intermediate	675	21.60	11.90		15.85						
				Low	675	14.00	11.40		31.40						
HMH72B361S	TL8E080C16UH11	21.0	CF36C	High	1125	35.00	24.80	17.00	9.25	33.60	24.00	9.50	7.15	3.16	2.54
				Intermediate	975	22.80	15.50		16.15						
				Low	975	14.70	14.00		30.25						
HMH72B361S	TL8E080C16UH11	21.0	CM36C	High	1125	35.00	24.80	17.00	9.25	33.60	24.00	9.50	7.15	3.16	2.54
				Intermediate	975	22.80	15.50		16.15						
				Low	975	14.70	14.00		30.25						
HMH72B361S	TL8E080C16UH11	21.0	CM36C	High	1125	35.00	24.80	17.00	9.25	33.60	24.00	9.50	7.15	3.16	2.54
				Intermediate	975	22.80	15.50		16.15						
				Low	975	14.70	14.00		30.25						
HMH72B361S	TM8Y080B12MP11	21.0	CF36C	High	1200	35.60	25.80	17.00	8.75	34.60	24.60	9.50	7.75	3.18	2.50
				Intermediate	750	22.00	12.80		16.30						
				Low	750	14.30	12.00		33.40						
HMH72B361S	TM8Y080B12MP11	21.0	CM36C	High	1200	35.60	25.80	17.00	8.75	34.60	24.60	9.50	7.75	3.18	2.50
				Intermediate	750	22.00	12.80		16.30						
				Low	750	14.30	12.00		33.40						

**Table 8: Furnace capacity - 3 ton - 36k**

Outdoor unit model	Furnace model	Furnace width (in.)	Indoor coil model	Stage	Rated CFM	Net cool (MBH)	Sens cool (MBH)	SEER2	EER2	Net47 (MBH)	Net17 (MBH)	HSPF2 IV	HSPF2 V	Cop47	Cop17
HMH72B361S	TM8Y080B12MP11	21.0	CM36C	High	1200	35.60	25.80	17.00	8.75	34.60	24.60	9.50	7.75	3.18	2.50
				Intermediate	750	22.00	12.80		16.30						
				Low	750	14.30	12.00		33.40	9.50	4.48				
HMH72B361S	TM8Y080B12MP11	17.5	CF36B	High	1175	35.40	25.40	17.00	8.75	34.40	24.60	9.50	7.90	3.14	2.50
				Intermediate	725	21.80	12.40		16.15						
				Low	725	14.20	11.80		32.75	9.50	4.42				
HMH72B361S	TM8Y080B12MP11	17.5	CF36B	High	1175	35.40	25.40	17.00	8.75	34.40	24.60	9.50	7.90	3.14	2.50
				Intermediate	725	21.80	12.40		16.15						
				Low	725	14.20	11.80		32.75	9.50	4.42				
HMH72B361S	TM8Y080B12MP11	17.5	CM36B	High	1175	35.40	25.40	17.00	8.75	34.40	24.60	9.50	7.90	3.14	2.50
				Intermediate	725	21.80	12.40		16.15						
				Low	725	14.20	11.80		32.75	9.50	4.42				
HMH72B361S	TM8Y080B12MP11	17.5	CM36B	High	1175	35.40	25.40	17.00	8.75	34.40	24.60	9.50	7.90	3.14	2.50
				Intermediate	725	21.80	12.40		16.15						
				Low	725	14.20	11.80		32.75	9.50	4.42				
HMH72B361S	TM8Y080B12MP11	17.5	CU36B	High	1175	35.40	25.40	17.00	8.75	34.40	24.60	9.50	7.90	3.14	2.50
				Intermediate	725	21.80	12.40		16.15						
				Low	725	14.20	11.80		32.75	9.50	4.42				
HMH72B361S	TM9Y100C16MP11	21.0	CF36C	High	1150	35.60	25.40	17.25	9.00	33.80	24.20	9.50	7.85	3.16	2.54
				Intermediate	675	21.60	11.80		16.40						
				Low	675	14.10	11.30		34.80	9.30	4.52				
HMH72B361S	TM9Y100C16MP11	21.0	CM36C	High	1150	35.60	25.40	17.25	9.00	33.80	24.20	9.50	7.85	3.16	2.54
				Intermediate	675	21.60	11.80		16.40						
				Low	675	14.10	11.30		34.80	9.30	4.52				
HMH72B361S	TM9Y100C16MP11	21.0	CM36C	High	1150	35.60	25.40	17.25	9.00	33.80	24.20	9.50	7.85	3.16	2.54
				Intermediate	675	21.60	11.80		16.40						
				Low	675	14.10	11.30		34.80	9.30	4.52				
HMH72B361S	TM9Y080B12MP11	21.0	CF36C	High	1175	35.40	25.40	16.75	8.75	34.40	24.60	9.50	7.85	3.14	2.50
				Intermediate	775	22.00	13.00		16.10						
				Low	775	14.30	12.30		31.90	9.60	4.38				
HMH72B361S	TM9Y080B12MP11	21.0	CM36C	High	1175	35.40	25.40	16.75	8.75	34.40	24.60	9.50	7.85	3.14	2.50
				Intermediate	775	22.00	13.00		16.10						
				Low	775	14.30	12.30		31.90	9.60	4.38				
HMH72B361S	TM9Y080B12MP11	21.0	CM36C	High	1175	35.40	25.40	16.75	8.75	34.40	24.60	9.50	7.85	3.14	2.50
				Intermediate	775	22.00	13.00		16.10						
				Low	775	14.30	12.30		31.90	9.60	4.38				
HMH72B361S	TM9Y060B12MP11	17.5	CF36B	High	1100	35.00	24.60	16.50	8.50	33.80	24.60	9.50	7.85	3.04	2.46
				Intermediate	725	21.80	12.50		15.85						
				Low	725	14.10	11.80		31.05	9.60	4.30				
HMH72B361S	TM9Y060B12MP11	17.5	CF36B	High	1100	35.00	24.60	16.50	8.50	33.80	24.60	9.50	7.85	3.04	2.46
				Intermediate	725	21.80	12.50		15.85						
				Low	725	14.10	11.80		31.05	9.60	4.30				
HMH72B361S	TM9Y060B12MP11	17.5	CM36B	High	1100	35.00	24.60	16.50	8.50	33.80	24.60	9.50	7.85	3.04	2.46
				Intermediate	725	21.80	12.50		15.85						
				Low	725	14.10	11.80		31.05	9.60	4.30				
HMH72B361S	TM9Y060B12MP11	17.5	CU36B	High	1100	35.00	24.60	16.50	8.50	33.80	24.60	9.50	7.85	3.04	2.46
				Intermediate	725	21.80	12.50		15.85						
				Low	725	14.10	11.80		31.05	9.60	4.30				
HMH72B361S	TM9V100C20MP12C	21.0	CF36C	High	1275	36.00	26.60	17.25	9.00	35.00	24.40	9.50	7.25	3.28	2.56
				Intermediate	800	22.20	13.40		16.40						
				Low	800	14.40	12.50		33.35	9.60	4.54				
HMH72B361S	TP9C100C20MP13C	21.0	CF36C	High	1275	36.00	26.60	17.25	9.00	35.00	24.40	9.50	7.25	3.28	2.56
				Intermediate	800	22.20	13.40		16.40						
				Low	800	14.40	12.50		33.35	9.60	4.54				
HMH72B361S	YP9C100C20MP13C	21.0	CF36C	High	1275	36.00	26.60	17.25	9.00	35.00	24.40	9.50	7.25	3.28	2.56
				Intermediate	800	22.20	13.40		16.40						
				Low	800	14.40	12.50		33.35	9.60	4.54				

**Table 8: Furnace capacity - 3 ton - 36k**

Outdoor unit model	Furnace model	Furnace width (in.)	Indoor coil model	Stage	Rated CFM	Net cool (MBH)	Sens cool (MBH)	SEER2	EER2	Net47 (MBH)	Net17 (MBH)	HSPF2 IV	HSPF2 V	Cop47	Cop17
HMH72B361S	TM9V100C20MP12C	21.0	CM36C	High	1275	36.00	26.60	17.25	9.00	35.00	24.40	9.50	7.25	3.28	2.56
				Intermediate	800	22.20	13.40		16.40						
				Low	800	14.40	12.50		33.35	9.60	4.54				
HMH72B361S	TM9V100C20MP12C	21.0	CM36C	High	1275	36.00	26.60	17.25	9.00	35.00	24.40	9.50	7.25	3.28	2.56
				Intermediate	800	22.20	13.40		16.40						
				Low	800	14.40	12.50		33.35	9.60	4.54				
HMH72B361S	TP9C100C20MP13C	21.0	CM36C	High	1275	36.00	26.60	17.25	9.00	35.00	24.40	9.50	7.25	3.28	2.56
				Intermediate	800	22.20	13.40		16.40						
				Low	800	14.40	12.50		33.35	9.60	4.54				
HMH72B361S	TP9C100C20MP13C	21.0	CM36C	High	1275	36.00	26.60	17.25	9.00	35.00	24.40	9.50	7.25	3.28	2.56
				Intermediate	800	22.20	13.40		16.40						
				Low	800	14.40	12.50		33.35	9.60	4.54				
HMH72B361S	YP9C100C20MP13C	21.0	CM36C	High	1275	36.00	26.60	17.25	9.00	35.00	24.40	9.50	7.25	3.28	2.56
				Intermediate	800	22.20	13.40		16.40						
				Low	800	14.40	12.50		33.35	9.60	4.54				
HMH72B361S	YP9C100C20MP13C	21.0	CM36C	High	1275	36.00	26.60	17.25	9.00	35.00	24.40	9.50	7.25	3.28	2.56
				Intermediate	800	22.20	13.40		16.40						
				Low	800	14.40	12.50		33.35	9.60	4.54				
HMH72B361S	TM9V100C16MP12C	21.0	CF36C	High	1275	36.00	26.60	17.00	9.00	35.00	24.40	9.50	7.25	3.28	2.56
				Intermediate	850	22.40	14.00		16.30						
				Low	850	14.50	12.90		32.30	9.70	4.52				
HMH72B361S	TP9C100C16MP13C	21.0	CF36C	High	1275	36.00	26.60	17.00	9.00	35.00	24.40	9.50	7.25	3.28	2.56
				Intermediate	850	22.40	14.00		16.30						
				Low	850	14.50	12.90		32.30	9.70	4.52				
HMH72B361S	YP9C100C16MP13C	21.0	CF36C	High	1275	36.00	26.60	17.00	9.00	35.00	24.40	9.50	7.25	3.28	2.56
				Intermediate	850	22.40	14.00		16.30						
				Low	850	14.50	12.90		32.30	9.70	4.52				
HMH72B361S	TM9V100C16MP12C	21.0	CM36C	High	1275	36.00	26.60	17.00	9.00	35.00	24.40	9.50	7.25	3.28	2.56
				Intermediate	850	22.40	14.00		16.30						
				Low	850	14.50	12.90		32.30	9.70	4.52				
HMH72B361S	TM9V100C16MP12C	21.0	CM36C	High	1275	36.00	26.60	17.00	9.00	35.00	24.40	9.50	7.25	3.28	2.56
				Intermediate	850	22.40	14.00		16.30						
				Low	850	14.50	12.90		32.30	9.70	4.52				
HMH72B361S	TP9C100C16MP13C	21.0	CM36C	High	1275	36.00	26.60	17.00	9.00	35.00	24.40	9.50	7.25	3.28	2.56
				Intermediate	850	22.40	14.00		16.30						
				Low	850	14.50	12.90		32.30	9.70	4.52				
HMH72B361S	TP9C100C16MP13C	21.0	CM36C	High	1275	36.00	26.60	17.00	9.00	35.00	24.40	9.50	7.25	3.28	2.56
				Intermediate	850	22.40	14.00		16.30						
				Low	850	14.50	12.90		32.30	9.70	4.52				
HMH72B361S	YP9C100C16MP13C	21.0	CM36C	High	1275	36.00	26.60	17.00	9.00	35.00	24.40	9.50	7.25	3.28	2.56
				Intermediate	850	22.40	14.00		16.30						
				Low	850	14.50	12.90		32.30	9.70	4.52				
HMH72B361S	YP9C100C16MP13C	21.0	CM36C	High	1275	36.00	26.60	17.00	9.00	35.00	24.40	9.50	7.25	3.28	2.56
				Intermediate	850	22.40	14.00		16.30						
				Low	850	14.50	12.90		32.30	9.70	4.52				
HMH72B361S	TM9V080B12MP12C	17.5	CF36B	High	1175	35.40	25.40	16.75	8.75	34.40	24.60	9.50	7.00	3.12	2.48
				Intermediate	775	22.00	13.10		15.95						
				Low	775	14.20	12.20		31.15	9.70	4.38				
HMH72B361S	TP9C080B12MP13C	17.5	CF36B	High	1175	35.40	25.40	16.75	8.75	34.40	24.60	9.50	7.00	3.12	2.48
				Intermediate	775	22.00	13.10		15.95						
				Low	775	14.20	12.20		31.15	9.70	4.38				
HMH72B361S	YP9C080B12MP13C	17.5	CF36B	High	1175	35.40	25.40	16.75	8.75	34.40	24.60	9.50	7.00	3.12	2.48
				Intermediate	775	22.00	13.10		15.95						
				Low	775	14.20	12.20		31.15	9.70	4.38				
HMH72B361S	TM9V080B12MP12C	17.5	CF36B	High	1175	35.40	25.40	16.75	8.75	34.40	24.60	9.50	7.00	3.12	2.48
				Intermediate	775	22.00	13.10		15.95						
				Low	775	14.20	12.20		31.15	9.70	4.38				
HMH72B361S	TM9V080B12MP12C	17.5	CM36B	High	1175	35.40	25.40	16.75	8.75	34.40	24.60	9.50	7.00	3.12	2.48
				Intermediate	775	22.00	13.10		15.95						
				Low	775	14.20	12.20		31.15	9.70	4.38				

**Table 8: Furnace capacity - 3 ton - 36k**

Outdoor unit model	Furnace model	Furnace width (in.)	Indoor coil model	Stage	Rated CFM	Net cool (MBH)	Sens cool (MBH)	SEER2	EER2	Net47 (MBH)	Net17 (MBH)	HSPF2 IV	HSPF2 V	Cop47	Cop17
HMH72B361S	TM9V080B12MP12C	17.5	CM36B	High	1175	35.40	25.40	16.75	8.75	34.40	24.60	9.50	7.00	3.12	2.48
				Intermediate	775	22.00	13.10		15.95						
				Low	775	14.20	12.20		31.15						
HMH72B361S	TM9V080B12MP12C	17.5	CU36B	High	1175	35.40	25.40	16.75	8.75	34.40	24.60	9.50	7.00	3.12	2.48
				Intermediate	775	22.00	13.10		15.95						
				Low	775	14.20	12.20		31.15						
HMH72B361S	TP9C080B12MP13C	17.5	CF36B	High	1175	35.40	25.40	16.75	8.75	34.40	24.60	9.50	7.00	3.12	2.48
				Intermediate	775	22.00	13.10		15.95						
				Low	775	14.20	12.20		31.15						
HMH72B361S	TP9C080B12MP13C	17.5	CM36B	High	1175	35.40	25.40	16.75	8.75	34.40	24.60	9.50	7.00	3.12	2.48
				Intermediate	775	22.00	13.10		15.95						
				Low	775	14.20	12.20		31.15						
HMH72B361S	TP9C080B12MP13C	17.5	CM36B	High	1175	35.40	25.40	16.75	8.75	34.40	24.60	9.50	7.00	3.12	2.48
				Intermediate	775	22.00	13.10		15.95						
				Low	775	14.20	12.20		31.15						
HMH72B361S	TP9C080B12MP13C	17.5	CU36B	High	1175	35.40	25.40	16.75	8.75	34.40	24.60	9.50	7.00	3.12	2.48
				Intermediate	775	22.00	13.10		15.95						
				Low	775	14.20	12.20		31.15						
HMH72B361S	YP9C080B12MP13C	17.5	CF36B	High	1175	35.40	25.40	16.75	8.75	34.40	24.60	9.50	7.00	3.12	2.48
				Intermediate	775	22.00	13.10		15.95						
				Low	775	14.20	12.20		31.15						
HMH72B361S	YP9C080B12MP13C	17.5	CM36B	High	1175	35.40	25.40	16.75	8.75	34.40	24.60	9.50	7.00	3.12	2.48
				Intermediate	775	22.00	13.10		15.95						
				Low	775	14.20	12.20		31.15						
HMH72B361S	YP9C080B12MP13C	17.5	CM36B	High	1175	35.40	25.40	16.75	8.75	34.40	24.60	9.50	7.00	3.12	2.48
				Intermediate	775	22.00	13.10		15.95						
				Low	775	14.20	12.20		31.15						
HMH72B361S	YP9C080B12MP13C	17.5	CU36B	High	1175	35.40	25.40	16.75	8.75	34.40	24.60	9.50	7.00	3.12	2.48
				Intermediate	775	22.00	13.10		15.95						
				Low	775	14.20	12.20		31.15						
HMH72B361S	TM9V060B12MP12C	17.5	CF36B	High	1100	35.00	24.60	16.50	8.75	33.80	24.40	9.50	7.30	3.04	2.46
				Intermediate	675	21.60	11.90		15.80						
				Low	675	14.00	11.40		31.20						
HMH72B361S	TP9C060B12MP13C	17.5	CF36B	High	1100	35.00	24.60	16.50	8.75	33.80	24.40	9.50	7.30	3.04	2.46
				Intermediate	675	21.60	11.90		15.80						
				Low	675	14.00	11.40		31.20						
HMH72B361S	YP9C060B12MP13C	17.5	CF36B	High	1100	35.00	24.60	16.50	8.75	33.80	24.40	9.50	7.30	3.04	2.46
				Intermediate	675	21.60	11.90		15.80						
				Low	675	14.00	11.40		31.20						
HMH72B361S	TM9V060B12MP12C	17.5	CF36B	High	1100	35.00	24.60	16.50	8.75	33.80	24.40	9.50	7.30	3.04	2.46
				Intermediate	675	21.60	11.90		15.80						
				Low	675	14.00	11.40		31.20						
HMH72B361S	TM9V060B12MP12C	17.5	CM36B	High	1100	35.00	24.60	16.50	8.75	33.80	24.40	9.50	7.30	3.04	2.46
				Intermediate	675	21.60	11.90		15.80						
				Low	675	14.00	11.40		31.20						
HMH72B361S	TM9V060B12MP12C	17.5	CU36B	High	1100	35.00	24.60	16.50	8.75	33.80	24.40	9.50	7.30	3.04	2.46
				Intermediate	675	21.60	11.90		15.80						
				Low	675	14.00	11.40		31.20						
HMH72B361S	TP9C060B12MP13C	17.5	CF36B	High	1100	35.00	24.60	16.50	8.75	33.80	24.40	9.50	7.30	3.04	2.46
				Intermediate	675	21.60	11.90		15.80						
				Low	675	14.00	11.40		31.20						
HMH72B361S	TP9C060B12MP13C	17.5	CM36B	High	1100	35.00	24.60	16.50	8.75	33.80	24.40	9.50	7.30	3.04	2.46
				Intermediate	675	21.60	11.90		15.80						
				Low	675	14.00	11.40		31.20						
HMH72B361S	TP9C060B12MP13C	17.5	CM36B	High	1100	35.00	24.60	16.50	8.75	33.80	24.40	9.50	7.30	3.04	2.46
				Intermediate	675	21.60	11.90		15.80						
				Low	675	14.00	11.40		31.20						

**Table 8: Furnace capacity - 3 ton - 36k**

Outdoor unit model	Furnace model	Furnace width (in.)	Indoor coil model	Stage	Rated CFM	Net cool (MBH)	Sens cool (MBH)	SEER2	EER2	Net47 (MBH)	Net17 (MBH)	HSPF2 IV	HSPF2 V	Cop47	Cop17
HMH72B361S	TP9C060B12MP13C	17.5	CU36B	High	1100	35.00	24.60	16.50	8.75	33.80	24.40	9.50	7.30	3.04	2.46
				Intermediate	675	21.60	11.90		15.80						
				Low	675	14.00	11.40		31.20	9.50				4.30	
HMH72B361S	YP9C060B12MP13C	17.5	CF36B	High	1100	35.00	24.60	16.50	8.75	33.80	24.40	9.50	7.30	3.04	2.46
				Intermediate	675	21.60	11.90		15.80						
				Low	675	14.00	11.40		31.20	9.50				4.30	
HMH72B361S	YP9C060B12MP13C	17.5	CM36B	High	1100	35.00	24.60	16.50	8.75	33.80	24.40	9.50	7.30	3.04	2.46
				Intermediate	675	21.60	11.90		15.80						
				Low	675	14.00	11.40		31.20	9.50				4.30	
HMH72B361S	YP9C060B12MP13C	17.5	CM36B	High	1100	35.00	24.60	16.50	8.75	33.80	24.40	9.50	7.30	3.04	2.46
				Intermediate	675	21.60	11.90		15.80						
				Low	675	14.00	11.40		31.20	9.50				4.30	
HMH72B361S	YP9C060B12MP13C	17.5	CU36B	High	1100	35.00	24.60	16.50	8.75	33.80	24.40	9.50	7.30	3.04	2.46
				Intermediate	675	21.60	11.90		15.80						
				Low	675	14.00	11.40		31.20	9.50				4.30	
HMH72B361S	TM9V040A10MP12C	17.5	CF36B	High	950	34.40	23.00	16.25	8.75	32.40	24.20	9.50	7.60	2.90	2.42
				Intermediate	625	21.20	11.20		15.50						
				Low	625	13.80	10.90		29.95	9.40				4.18	
HMH72B361S	TM9V040A10MP12C	17.5	CF36B	High	950	34.40	23.00	16.25	8.75	32.40	24.20	9.50	7.60	2.90	2.42
				Intermediate	625	21.20	11.20		15.50						
				Low	625	13.80	10.90		29.95	9.40				4.18	
HMH72B361S	TM9V040A10MP12C	17.5	CM36B	High	950	34.40	23.00	16.25	8.75	32.40	24.20	9.50	7.60	2.90	2.42
				Intermediate	625	21.20	11.20		15.50						
				Low	625	13.80	10.90		29.95	9.40				4.18	
HMH72B361S	TM9V040A10MP12C	17.5	CM36B	High	950	34.40	23.00	16.25	8.75	32.40	24.20	9.50	7.60	2.90	2.42
				Intermediate	625	21.20	11.20		15.50						
				Low	625	13.80	10.90		29.95	9.40				4.18	
HMH72B361S	TM9V040A10MP12C	17.5	CU36B	High	950	34.40	23.00	16.25	8.75	32.40	24.20	9.50	7.60	2.90	2.42
				Intermediate	625	21.20	11.20		15.50						
				Low	625	13.80	10.90		29.95	9.40				4.18	
HMH72B361S	TM9E100C16MP12	21.0	CF36C	High	1275	36.00	26.60	17.25	9.00	35.00	24.60	9.50	7.25	3.26	2.54
				Intermediate	875	22.40	14.20		16.40						
				Low	875	14.50	13.00		32.60	9.80				4.52	
HMH72B361S	TM9E100C16MP12	21.0	CM36C	High	1275	36.00	26.60	17.25	9.00	35.00	24.60	9.50	7.25	3.26	2.54
				Intermediate	875	22.40	14.20		16.40						
				Low	875	14.50	13.00		32.60	9.80				4.52	
HMH72B361S	TM9E100C16MP12	21.0	CM36C	High	1275	36.00	26.60	17.25	9.00	35.00	24.60	9.50	7.25	3.26	2.54
				Intermediate	875	22.40	14.20		16.40						
				Low	875	14.50	13.00		32.60	9.80				4.52	
HMH72B361S	TM9E080B12MP12	21.0	CF36C	High	1250	35.60	26.00	16.75	8.75	35.00	24.80	9.50	6.95	3.20	2.50
				Intermediate	850	22.20	13.90		16.05						
				Low	850	14.40	12.90		30.85	9.80				4.40	
HMH72B361S	TM9E080B12MP12	21.0	CM36C	High	1250	35.60	26.00	16.75	8.75	35.00	24.80	9.50	6.95	3.20	2.50
				Intermediate	850	22.20	13.90		16.05						
				Low	850	14.40	12.90		30.85	9.80				4.40	
HMH72B361S	TM9E060B12MP12	21.0	CF36C	High	1225	35.40	25.60	16.50	8.50	35.00	24.80	9.50	7.30	3.14	2.46
				Intermediate	800	22.00	13.30		15.85						
				Low	800	14.30	12.50		30.40	9.80				4.32	
HMH72B361S	TM9E060B12MP12	21.0	CM36C	High	1225	35.40	25.60	16.50	8.50	35.00	24.80	9.50	7.30	3.14	2.46
				Intermediate	800	22.00	13.30		15.85						
				Low	800	14.30	12.50		30.40	9.80				4.32	
HMH72B361S	TM9E060B12MP12	21.0	CM36C	High	1225	35.40	25.60	16.50	8.50	35.00	24.80	9.50	7.30	3.14	2.46
				Intermediate	800	22.00	13.30		15.85						
				Low	800	14.30	12.50		30.40	9.80				4.32	
HMH72B361S	TM9E060A10MP12	17.5	CF36B	High	1125	35.00	24.60	16.50	8.50	34.20	24.60	9.50	7.50	3.04	2.44
				Intermediate	750	21.80	12.70		15.75						
				Low	750	14.10	12.00		30.40	9.70				4.28	



**Table 8: Furnace capacity - 3 ton - 36k**

Outdoor unit model	Furnace model	Furnace width (in.)	Indoor coil model	Stage	Rated CFM	Net cool (MBH)	Sens cool (MBH)	SEER2	EER2	Net47 (MBH)	Net17 (MBH)	HSPF2 IV	HSPF2 V	Cop47	Cop17
HMH72B361S	TM9E060A10MP12	17.5	CF36B	High	1125	35.00	24.60	16.50	8.50	34.20	24.60	9.50	7.50	3.04	2.44
				Intermediate	750	21.80	12.70		15.75						
				Low	750	14.10	12.00		30.40					9.70	
HMH72B361S	TM9E060A10MP12	17.5	CM36B	High	1125	35.00	24.60	16.50	8.50	34.20	24.60	9.50	7.50	3.04	2.44
				Intermediate	750	21.80	12.70		15.75						
				Low	750	14.10	12.00		30.40					9.70	
HMH72B361S	TM9E060A10MP12	17.5	CM36B	High	1125	35.00	24.60	16.50	8.50	34.20	24.60	9.50	7.50	3.04	2.44
				Intermediate	750	21.80	12.70		15.75						
				Low	750	14.10	12.00		30.40					9.70	
HMH72B361S	TM9E060A10MP12	17.5	CU36B	High	1125	35.00	24.60	16.50	8.50	34.20	24.60	9.50	7.50	3.04	2.44
				Intermediate	750	21.80	12.70		15.75						
				Low	750	14.10	12.00		30.40					9.70	
HMH72B361S	TM8V080B12MP12C	21.0	CF36C	High	1100	35.00	24.60	16.50	8.75	33.80	24.40	9.50	7.15	3.06	2.48
				Intermediate	700	21.60	12.10		15.85						
				Low	700	14.00	11.50		31.15					9.50	
HMH72B361S	TPLC080B12MP13C	21.0	CF36C	High	1100	35.00	24.60	16.50	8.75	33.80	24.40	9.50	7.15	3.06	2.48
				Intermediate	700	21.60	12.10		15.85						
				Low	700	14.00	11.50		31.15					9.50	
HMH72B361S	YPLC080B12MP13C	21.0	CF36C	High	1100	35.00	24.60	16.50	8.75	33.80	24.40	9.50	7.15	3.06	2.48
				Intermediate	700	21.60	12.10		15.85						
				Low	700	14.00	11.50		31.15					9.50	
HMH72B361S	TM8V080B12MP12C	21.0	CM36C	High	1100	35.00	24.60	16.50	8.75	33.80	24.40	9.50	7.15	3.06	2.48
				Intermediate	700	21.60	12.10		15.85						
				Low	700	14.00	11.50		31.15					9.50	
HMH72B361S	TM8V080B12MP12C	21.0	CM36C	High	1100	35.00	24.60	16.50	8.75	33.80	24.40	9.50	7.15	3.06	2.48
				Intermediate	700	21.60	12.10		15.85						
				Low	700	14.00	11.50		31.15					9.50	
HMH72B361S	TPLC080B12MP13C	21.0	CM36C	High	1100	35.00	24.60	16.50	8.75	33.80	24.40	9.50	7.15	3.06	2.48
				Intermediate	700	21.60	12.10		15.85						
				Low	700	14.00	11.50		31.15					9.50	
HMH72B361S	YPLC080B12MP13C	21.0	CM36C	High	1100	35.00	24.60	16.50	8.75	33.80	24.40	9.50	7.15	3.06	2.48
				Intermediate	700	21.60	12.10		15.85						
				Low	700	14.00	11.50		31.15					9.50	
HMH72B361S	YPLC080B12MP13C	21.0	CM36C	High	1100	35.00	24.60	16.50	8.75	33.80	24.40	9.50	7.15	3.06	2.48
				Intermediate	700	21.60	12.10		15.85						
				Low	700	14.00	11.50		31.15					9.50	
HMH72B361S	YPLC080B12MP13C	21.0	CM36C	High	1100	35.00	24.60	16.50	8.75	33.80	24.40	9.50	7.15	3.06	2.48
				Intermediate	700	21.60	12.10		15.85						
				Low	700	14.00	11.50		31.15					9.50	
HMH72B361S	TM8V080B12MP12C	17.5	CF36B	High	1125	35.00	24.60	16.25	8.75	34.20	24.60	9.50	7.35	3.06	2.46
				Intermediate	725	21.80	12.50		15.70						
				Low	725	14.10	11.80		30.25					9.60	
HMH72B361S	TPLC080B12MP13C	17.5	CF36B	High	1125	35.00	24.60	16.25	8.75	34.20	24.60	9.50	7.35	3.06	2.46
				Intermediate	725	21.80	12.50		15.70						
				Low	725	14.10	11.80		30.25					9.60	
HMH72B361S	YPLC080B12MP13C	17.5	CF36B	High	1125	35.00	24.60	16.25	8.75	34.20	24.60	9.50	7.35	3.06	2.46
				Intermediate	725	21.80	12.50		15.70						
				Low	725	14.10	11.80		30.25					9.60	
HMH72B361S	TM8V080B12MP12C	17.5	CF36B	High	1125	35.00	24.60	16.25	8.75	34.20	24.60	9.50	7.35	3.06	2.46
				Intermediate	725	21.80	12.50		15.70						
				Low	725	14.10	11.80		30.25					9.60	
HMH72B361S	TM8V080B12MP12C	17.5	CM36B	High	1125	35.00	24.60	16.25	8.75	34.20	24.60	9.50	7.35	3.06	2.46
				Intermediate	725	21.80	12.50		15.70						
				Low	725	14.10	11.80		30.25					9.60	
HMH72B361S	TM8V080B12MP12C	17.5	CM36B	High	1125	35.00	24.60	16.25	8.75	34.20	24.60	9.50	7.35	3.06	2.46
				Intermediate	725	21.80	12.50		15.70						
				Low	725	14.10	11.80		30.25					9.60	
HMH72B361S	TM8V080B12MP12C	17.5	CU36B	High	1125	35.00	24.60	16.25	8.75	34.20	24.60	9.50	7.35	3.06	2.46
				Intermediate	725	21.80	12.50		15.70						
				Low	725	14.10	11.80		30.25					9.60	

**Table 8: Furnace capacity - 3 ton - 36k**

Outdoor unit model	Furnace model	Furnace width (in.)	Indoor coil model	Stage	Rated CFM	Net cool (MBH)	Sens cool (MBH)	SEER2	EER2	Net47 (MBH)	Net17 (MBH)	HSPF2 IV	HSPF2 V	Cop47	Cop17
HMH72B361S	TPLC080B12MP13C	17.5	CF36B	High	1125	35.00	24.60	16.25	8.75	34.20	24.60	9.50	7.35	3.06	2.46
				Intermediate	725	21.80	12.50		15.70						
				Low	725	14.10	11.80		30.25	9.60					
HMH72B361S	TPLC080B12MP13C	17.5	CM36B	High	1125	35.00	24.60	16.25	8.75	34.20	24.60	9.50	7.35	3.06	2.46
				Intermediate	725	21.80	12.50		15.70						
				Low	725	14.10	11.80		30.25	9.60					
HMH72B361S	TPLC080B12MP13C	17.5	CM36B	High	1125	35.00	24.60	16.25	8.75	34.20	24.60	9.50	7.35	3.06	2.46
				Intermediate	725	21.80	12.50		15.70						
				Low	725	14.10	11.80		30.25	9.60					
HMH72B361S	TPLC080B12MP13C	17.5	CU36B	High	1125	35.00	24.60	16.25	8.75	34.20	24.60	9.50	7.35	3.06	2.46
				Intermediate	725	21.80	12.50		15.70						
				Low	725	14.10	11.80		30.25	9.60					
HMH72B361S	YPLC080B12MP13C	17.5	CF36B	High	1125	35.00	24.60	16.25	8.75	34.20	24.60	9.50	7.35	3.06	2.46
				Intermediate	725	21.80	12.50		15.70						
				Low	725	14.10	11.80		30.25	9.60					
HMH72B361S	YPLC080B12MP13C	17.5	CM36B	High	1125	35.00	24.60	16.25	8.75	34.20	24.60	9.50	7.35	3.06	2.46
				Intermediate	725	21.80	12.50		15.70						
				Low	725	14.10	11.80		30.25	9.60					
HMH72B361S	YPLC080B12MP13C	17.5	CM36B	High	1125	35.00	24.60	16.25	8.75	34.20	24.60	9.50	7.35	3.06	2.46
				Intermediate	725	21.80	12.50		15.70						
				Low	725	14.10	11.80		30.25	9.60					
HMH72B361S	YPLC080B12MP13C	17.5	CU36B	High	1125	35.00	24.60	16.25	8.75	34.20	24.60	9.50	7.35	3.06	2.46
				Intermediate	725	21.80	12.50		15.70						
				Low	725	14.10	11.80		30.25	9.60					
HMH72B361S	TM8E100B12MP11	17.5	CF36B	High	1225	35.60	25.80	17.00	8.75	34.80	24.60	9.50	7.60	3.18	2.50
				Intermediate	775	22.00	13.00		16.20						
				Low	775	14.30	12.20		32.45	9.60					
HMH72B361S	TMLE100B12MP11	17.5	CF36B	High	1225	35.60	25.80	17.00	8.75	34.80	24.60	9.50	7.60	3.18	2.50
				Intermediate	775	22.00	13.00		16.20						
				Low	775	14.30	12.20		32.45	9.60					
HMH72B361S	TM8E100B12MP11	17.5	CF36B	High	1225	35.60	25.80	17.00	8.75	34.80	24.60	9.50	7.60	3.18	2.50
				Intermediate	775	22.00	13.00		16.20						
				Low	775	14.30	12.20		32.45	9.60					
HMH72B361S	TM8E100B12MP11	17.5	CM36B	High	1225	35.60	25.80	17.00	8.75	34.80	24.60	9.50	7.60	3.18	2.50
				Intermediate	775	22.00	13.00		16.20						
				Low	775	14.30	12.20		32.45	9.60					
HMH72B361S	TM8E100B12MP11	17.5	CM36B	High	1225	35.60	25.80	17.00	8.75	34.80	24.60	9.50	7.60	3.18	2.50
				Intermediate	775	22.00	13.00		16.20						
				Low	775	14.30	12.20		32.45	9.60					
HMH72B361S	TM8E100B12MP11	17.5	CU36B	High	1225	35.60	25.80	17.00	8.75	34.80	24.60	9.50	7.60	3.18	2.50
				Intermediate	775	22.00	13.00		16.20						
				Low	775	14.30	12.20		32.45	9.60					
HMH72B361S	TMLE100B12MP11	17.5	CF36B	High	1225	35.60	25.80	17.00	8.75	34.80	24.60	9.50	7.60	3.18	2.50
				Intermediate	775	22.00	13.00		16.20						
				Low	775	14.30	12.20		32.45	9.60					
HMH72B361S	TMLE100B12MP11	17.5	CM36B	High	1225	35.60	25.80	17.00	8.75	34.80	24.60	9.50	7.60	3.18	2.50
				Intermediate	775	22.00	13.00		16.20						
				Low	775	14.30	12.20		32.45	9.60					
HMH72B361S	TMLE100B12MP11	17.5	CM36B	High	1225	35.60	25.80	17.00	8.75	34.80	24.60	9.50	7.60	3.18	2.50
				Intermediate	775	22.00	13.00		16.20						
				Low	775	14.30	12.20		32.45	9.60					
HMH72B361S	TMLE100B12MP11	17.5	CU36B	High	1225	35.60	25.80	17.00	8.75	34.80	24.60	9.50	7.60	3.18	2.50
				Intermediate	775	22.00	13.00		16.20						
				Low	775	14.30	12.20		32.45	9.60					
HMH72B361S	TM8E080B12MP11	17.5	CF36B	High	1225	35.40	25.60	17.00	8.75	34.80	24.80	9.50	6.95	3.16	2.50
				Intermediate	800	22.20	13.40		16.15						
				Low	800	14.30	12.40		31.90	9.70					
HMH72B361S	TMLE080B12MP11	17.5	CF36B	High	1225	35.40	25.60	17.00	8.75	34.80	24.80	9.50	6.95	3.16	2.50
				Intermediate	800	22.20	13.40		16.15						
				Low	800	14.30	12.40		31.90	9.70					

**Table 8: Furnace capacity - 3 ton - 36k**

Outdoor unit model	Furnace model	Furnace width (in.)	Indoor coil model	Stage	Rated CFM	Net cool (MBH)	Sens cool (MBH)	SEER2	EER2	Net47 (MBH)	Net17 (MBH)	HSPF2 IV	HSPF2 V	Cop47	Cop17
HMH72B361S	TM8E080B12MP11	17.5	CF36B	High	1225	35.40	25.60	17.00	8.75	34.80	24.80	9.50	6.95	3.16	2.50
				Intermediate	800	22.20	13.40		16.15						
				Low	800	14.30	12.40		31.90						
HMH72B361S	TM8E080B12MP11	17.5	CM36B	High	1225	35.40	25.60	17.00	8.75	34.80	24.80	9.50	6.95	3.16	2.50
				Intermediate	800	22.20	13.40		16.15						
				Low	800	14.30	12.40		31.90						
HMH72B361S	TM8E080B12MP11	17.5	CM36B	High	1225	35.40	25.60	17.00	8.75	34.80	24.80	9.50	6.95	3.16	2.50
				Intermediate	800	22.20	13.40		16.15						
				Low	800	14.30	12.40		31.90						
HMH72B361S	TM8E080B12MP11	17.5	CU36B	High	1225	35.40	25.60	17.00	8.75	34.80	24.80	9.50	6.95	3.16	2.50
				Intermediate	800	22.20	13.40		16.15						
				Low	800	14.30	12.40		31.90						
HMH72B361S	TMLE080B12MP11	17.5	CF36B	High	1225	35.40	25.60	17.00	8.75	34.80	24.80	9.50	6.95	3.16	2.50
				Intermediate	800	22.20	13.40		16.15						
				Low	800	14.30	12.40		31.90						
HMH72B361S	TMLE080B12MP11	17.5	CM36B	High	1225	35.40	25.60	17.00	8.75	34.80	24.80	9.50	6.95	3.16	2.50
				Intermediate	800	22.20	13.40		16.15						
				Low	800	14.30	12.40		31.90						
HMH72B361S	TMLE080B12MP11	17.5	CM36B	High	1225	35.40	25.60	17.00	8.75	34.80	24.80	9.50	6.95	3.16	2.50
				Intermediate	800	22.20	13.40		16.15						
				Low	800	14.30	12.40		31.90						
HMH72B361S	TMLE080B12MP11	17.5	CU36B	High	1225	35.40	25.60	17.00	8.75	34.80	24.80	9.50	6.95	3.16	2.50
				Intermediate	800	22.20	13.40		16.15						
				Low	800	14.30	12.40		31.90						
HMH72B361S	TM8E040A12MP11	14.5	CF36A	High	1125	35.00	24.60	17.00	8.75	34.00	24.60	9.50	7.40	3.06	2.46
				Intermediate	725	21.80	12.40		16.05						
				Low	725	14.10	11.70		32.10						
HMH72B361S	TMLE040A12MP11	14.5	CF36A	High	1125	35.00	24.60	17.00	8.75	34.00	24.60	9.50	7.40	3.06	2.46
				Intermediate	725	21.80	12.40		16.05						
				Low	725	14.10	11.70		32.10						
HMH72B361S	TM8E040A12MP11	14.5	CM36A	High	1125	35.00	24.60	17.00	8.75	34.00	24.60	9.50	7.40	3.06	2.46
				Intermediate	725	21.80	12.40		16.05						
				Low	725	14.10	11.70		32.10						
HMH72B361S	TMLE040A12MP11	14.5	CM36A	High	1125	35.00	24.60	17.00	8.75	34.00	24.60	9.50	7.40	3.06	2.46
				Intermediate	725	21.80	12.40		16.05						
				Low	725	14.10	11.70		32.10						
HMH72B361S	TL9E080C16UH11	21.0	CF36C	High	1250	35.80	26.20	17.00	9.00	34.80	24.60	9.50	7.35	3.24	2.52
				Intermediate	950	22.80	15.30		16.15						
				Low	950	14.60	13.70		30.65						
HMH72B361S	TL9E080C16UH11	21.0	CM36C	High	1250	35.80	26.20	17.00	9.00	34.80	24.60	9.50	7.35	3.24	2.52
				Intermediate	950	22.80	15.30		16.15						
				Low	950	14.60	13.70		30.65						
HMH72B361S	TL9E080C16UH11	21.0	CM36C	High	1250	35.80	26.20	17.00	9.00	34.80	24.60	9.50	7.35	3.24	2.52
				Intermediate	950	22.80	15.30		16.15						
				Low	950	14.60	13.70		30.65						
HMH72B361S	TL8E060A12UH11	17.5	CF36B	High	1200	35.40	25.60	17.00	8.75	34.60	24.60	9.75	7.50	3.14	2.48
				Intermediate	750	22.00	12.80		16.20						
				Low	750	14.20	12.00		32.80						
HMH72B361S	TL8E060A12UH11	17.5	CF36B	High	1200	35.40	25.60	17.00	8.75	34.60	24.60	9.75	7.50	3.14	2.48
				Intermediate	750	22.00	12.80		16.20						
				Low	750	14.20	12.00		32.80						
HMH72B361S	TL8E060A12UH11	17.5	CM36B	High	1200	35.40	25.60	17.00	8.75	34.60	24.60	9.75	7.50	3.14	2.48
				Intermediate	750	22.00	12.80		16.20						
				Low	750	14.20	12.00		32.80						
HMH72B361S	TL8E060A12UH11	17.5	CM36B	High	1200	35.40	25.60	17.00	8.75	34.60	24.60	9.75	7.50	3.14	2.48
				Intermediate	750	22.00	12.80		16.20						
				Low	750	14.20	12.00		32.80						
HMH72B361S	TL8E060A12UH11	17.5	CU36B	High	1200	35.40	25.60	17.00	8.75	34.60	24.60	9.75	7.50	3.14	2.48
				Intermediate	750	22.00	12.80		16.20						
				Low	750	14.20	12.00		32.80						

**Table 8: Furnace capacity - 3 ton - 36k**

Outdoor unit model	Furnace model	Furnace width (in.)	Indoor coil model	Stage	Rated CFM	Net cool (MBH)	Sens cool (MBH)	SEER2	EER2	Net47 (MBH)	Net17 (MBH)	HSPF2 IV	HSPF2 V	Cop47	Cop17
HMH72B361S	TL8E060A12UH11	14.5	CF36A	High	1150	35.00	24.80	16.75	8.50	34.40	24.60	9.50	7.40	3.06	2.46
				Intermediate	675	21.60	11.90		15.95						
				Low	675	14.00	11.30		32.00						
HMH72B361S	TL8E060A12UH11	14.5	CM36A	High	1150	35.00	24.80	16.75	8.50	34.40	24.60	9.50	7.40	3.06	2.46
				Intermediate	675	21.60	11.90		15.95						
				Low	675	14.00	11.30		32.00						
HMH72B361S	TM8Y080C16MP11	21.0	CF36C	High	1150	35.60	25.40	17.50	9.00	34.00	24.20	9.50	7.75	3.18	2.54
				Intermediate	775	22.00	12.90		16.50						
				Low	775	14.40	12.30		34.20						
HMH72B361S	TM8Y080C16MP11	21.0	CM36C	High	1150	35.60	25.40	17.50	9.00	34.00	24.20	9.50	7.75	3.18	2.54
				Intermediate	775	22.00	12.90		16.50						
				Low	775	14.40	12.30		34.20						
HMH72B361S	TM8Y080C16MP11	21.0	CM36C	High	1150	35.60	25.40	17.50	9.00	34.00	24.20	9.50	7.75	3.18	2.54
				Intermediate	775	22.00	12.90		16.50						
				Low	775	14.40	12.30		34.20						
HMH72B361S	TM8Y060A12MP11	17.5	CF36B	High	1125	35.20	24.80	16.75	8.75	34.00	24.40	9.50	7.75	3.08	2.48
				Intermediate	700	21.60	12.00		16.05						
				Low	700	14.10	11.60		32.35						
HMH72B361S	TM8Y060A12MP11	17.5	CF36B	High	1125	35.20	24.80	16.75	8.75	34.00	24.40	9.50	7.75	3.08	2.48
				Intermediate	700	21.60	12.00		16.05						
				Low	700	14.10	11.60		32.35						
HMH72B361S	TM8Y060A12MP11	17.5	CM36B	High	1125	35.20	24.80	16.75	8.75	34.00	24.40	9.50	7.75	3.08	2.48
				Intermediate	700	21.60	12.00		16.05						
				Low	700	14.10	11.60		32.35						
HMH72B361S	TM8Y060A12MP11	17.5	CM36B	High	1125	35.20	24.80	16.75	8.75	34.00	24.40	9.50	7.75	3.08	2.48
				Intermediate	700	21.60	12.00		16.05						
				Low	700	14.10	11.60		32.35						
HMH72B361S	TM8Y060A12MP11	17.5	CU36B	High	1125	35.20	24.80	16.75	8.75	34.00	24.40	9.50	7.75	3.08	2.48
				Intermediate	700	21.60	12.00		16.05						
				Low	700	14.10	11.60		32.35						
HMH72B361S	TM8Y060A12MP11	14.5	CF36A	High	1075	34.80	24.20	16.50	8.75	33.60	24.40	9.50	7.90	3.02	2.46
				Intermediate	675	21.60	11.90		15.90						
				Low	675	14.00	11.40		31.70						
HMH72B361S	TM8Y060A12MP11	14.5	CM36A	High	1075	34.80	24.20	16.50	8.75	33.60	24.40	9.50	7.90	3.02	2.46
				Intermediate	675	21.60	11.90		15.90						
				Low	675	14.00	11.40		31.70						
HMH72B361S	TM9Y080C16MP11	21.0	CF36C	High	1250	35.80	26.20	16.75	8.75	35.00	24.60	9.50	7.75	3.22	2.52
				Intermediate	725	21.80	12.40		16.10						
				Low	725	14.20	11.80		32.50						
HMH72B361S	TM9Y080C16MP11	21.0	CM36C	High	1250	35.80	26.20	16.75	8.75	35.00	24.60	9.50	7.75	3.22	2.52
				Intermediate	725	21.80	12.40		16.10						
				Low	725	14.20	11.80		32.50						
HMH72B361S	TM9Y080C16MP11	21.0	CM36C	High	1250	35.80	26.20	16.75	8.75	35.00	24.60	9.50	7.75	3.22	2.52
				Intermediate	725	21.80	12.40		16.10						
				Low	725	14.20	11.80		32.50						
HMH72B361S	TM9Y080B12MP11	17.5	CF36B	High	1150	35.20	25.00	16.50	8.75	34.20	24.60	9.50	7.80	3.10	2.48
				Intermediate	750	21.80	12.70		16.00						
				Low	750	14.20	12.00		31.60						
HMH72B361S	TM9Y080B12MP11	17.5	CF36B	High	1150	35.20	25.00	16.50	8.75	34.20	24.60	9.50	7.80	3.10	2.48
				Intermediate	750	21.80	12.70		16.00						
				Low	750	14.20	12.00		31.60						
HMH72B361S	TM9Y080B12MP11	17.5	CM36B	High	1150	35.20	25.00	16.50	8.75	34.20	24.60	9.50	7.80	3.10	2.48
				Intermediate	750	21.80	12.70		16.00						
				Low	750	14.20	12.00		31.60						
HMH72B361S	TM9Y080B12MP11	17.5	CM36B	High	1150	35.20	25.00	16.50	8.75	34.20	24.60	9.50	7.80	3.10	2.48
				Intermediate	750	21.80	12.70		16.00						
				Low	750	14.20	12.00		31.60						
HMH72B361S	TM9Y080B12MP11	17.5	CU36B	High	1150	35.20	25.00	16.50	8.75	34.20	24.60	9.50	7.80	3.10	2.48
				Intermediate	750	21.80	12.70		16.00						
				Low	750	14.20	12.00		31.60						

**Table 8: Furnace capacity - 3 ton - 36k**

Outdoor unit model	Furnace model	Furnace width (in.)	Indoor coil model	Stage	Rated CFM	Net cool (MBH)	Sens cool (MBH)	SEER2	EER2	Net47 (MBH)	Net17 (MBH)	HSPF2 IV	HSPF2 V	Cop47	Cop17
HMH72B361S	TM9Y060B12MP11	21.0	CF36C	High	1125	35.20	24.80	16.50	8.75	34.00	24.60	9.50	7.80	3.06	2.46
				Intermediate	725	21.80	12.50		15.90						
				Low	725	14.10	11.80		31.20						
HMH72B361S	TM9Y060B12MP11	21.0	CM36C	High	1125	35.20	24.80	16.50	8.75	34.00	24.60	9.50	7.80	3.06	2.46
				Intermediate	725	21.80	12.50		15.90						
				Low	725	14.10	11.80		31.20						
HMH72B361S	TM9Y060B12MP11	21.0	CM36C	High	1125	35.20	24.80	16.50	8.75	34.00	24.60	9.50	7.80	3.06	2.46
				Intermediate	725	21.80	12.50		15.90						
				Low	725	14.10	11.80		31.20						
HMH72B361S	TM9V100C20MP12C	21.0	XAHC36D	High	1350	35.40	26.20	16.25	8.75	36.00	25.00	10.00	8.25	3.36	2.58
				Intermediate	825	21.60	13.00		15.65						
				Low	825	14.20	12.40		29.70						
HMH72B361S	TP9C100C20MP13C	21.0	XAHC36D	High	1350	35.40	26.20	16.25	8.75	36.00	25.00	10.00	8.25	3.36	2.58
				Intermediate	825	21.60	13.00		15.65						
				Low	825	14.20	12.40		29.70						
HMH72B361S	YP9C100C20MP13C	21.0	XAHC36D	High	1350	35.40	26.20	16.25	8.75	36.00	25.00	10.00	8.25	3.36	2.58
				Intermediate	825	21.60	13.00		15.65						
				Low	825	14.20	12.40		29.70						
HMH72B361S	TM9V100C20MP12C	21.0	XAFC36D	High	1300	36.00	26.40	17.00	9.00	36.00	25.20	10.00	8.50	3.42	2.64
				Intermediate	800	22.00	13.10		16.10						
				Low	800	14.40	12.40		31.25						
HMH72B361S	TP9C100C20MP13C	21.0	XAFC36D	High	1300	36.00	26.40	17.00	9.00	36.00	25.20	10.00	8.50	3.42	2.64
				Intermediate	800	22.00	13.10		16.10						
				Low	800	14.40	12.40		31.25						
HMH72B361S	YP9C100C20MP13C	21.0	XAFC36D	High	1300	36.00	26.40	17.00	9.00	36.00	25.20	10.00	8.50	3.42	2.64
				Intermediate	800	22.00	13.10		16.10						
				Low	800	14.40	12.40		31.25						
HMH72B361S	TM9Y080B12MP11	21.0	XAHC36D	High	1175	35.00	24.80	16.50	8.50	36.00	25.40	7.80	6.35	3.16	2.46
				Intermediate	700	21.40	11.90		15.50						
				Low	700	14.10	11.50		29.80						
HMH72B361S	TM9V080B12MP12C	21.0	XAHC36D	High	1200	35.00	25.00	16.00	8.50	36.00	25.40	7.80	6.55	3.18	2.48
				Intermediate	800	21.80	13.10		15.25						
				Low	800	14.20	12.40		27.20						
HMH72B361S	TP9C080B12MP13C	21.0	XAHC36D	High	1200	35.00	25.00	16.00	8.50	36.00	25.40	7.80	6.55	3.18	2.48
				Intermediate	800	21.80	13.10		15.25						
				Low	800	14.20	12.40		27.20						
HMH72B361S	YP9C080B12MP13C	21.0	XAHC36D	High	1200	35.00	25.00	16.00	8.50	36.00	25.40	7.80	6.55	3.18	2.48
				Intermediate	800	21.80	13.10		15.25						
				Low	800	14.20	12.40		27.20						
HMH72B361S	TM9E080C16MP12	21.0	XAHC36D	High	1100	35.00	24.40	16.50	8.50	35.60	24.80	7.80	6.10	3.18	2.50
				Intermediate	700	21.40	11.90		15.55						
				Low	700	14.10	11.50		29.95						
HMH72B361S	TM9E060B12MP12	21.0	XAHC36D	High	1125	34.80	24.40	16.00	8.50	36.00	25.20	7.50	5.55	3.12	2.46
				Intermediate	700	21.40	11.90		15.15						
				Low	700	14.00	11.50		28.05						
HMH72B361S	TM8Y120C20MP11	21.0	XAHC36D	High	975	34.60	23.40	16.00	9.00	34.60	24.20	7.80	6.30	3.14	2.50
				Intermediate	850	22.00	13.70		15.20						
				Low	850	14.30	12.80		26.50						
HMH72B361S	TM8Y100C20MP11	21.0	XAHC36D	High	975	34.60	23.40	16.00	9.00	34.60	24.20	7.80	6.30	3.14	2.50
				Intermediate	850	22.00	13.70		15.20						
				Low	850	14.30	12.80		26.50						
HMH72B361S	TM8Y080C16MP11	21.0	XAHC36D	High	1150	35.20	25.00	17.00	8.50	35.60	25.00	7.80	5.80	3.20	2.50
				Intermediate	675	21.40	11.60		15.65						
				Low	675	14.10	11.30		31.00						
HMH72B361S	TM8Y060A12MP11	17.5	XAHB36D	High	950	34.20	23.00	16.50	8.50	34.80	24.40	7.80	6.35	3.06	2.44
				Intermediate	625	21.00	10.90		15.30						
				Low	625	13.90	10.80		29.65						
HMH72B361S	TM8V080B12MP12C	21.0	XAHC36D	High	1000	34.20	23.20	15.50	8.50	35.20	24.60	7.80	6.35	3.08	2.44
				Intermediate	675	21.20	11.60		14.95						
				Low	675	13.90	11.20		27.40						

**Table 8: Furnace capacity - 3 ton - 36k**

Outdoor unit model	Furnace model	Furnace width (in.)	Indoor coil model	Stage	Rated CFM	Net cool (MBH)	Sens cool (MBH)	SEER2	EER2	Net47 (MBH)	Net17 (MBH)	HSPF2 IV	HSPF2 V	Cop47	Cop17
HMH72B361S	TPLC080B12MP13C	21.0	XAHC36D	High	1000	34.20	23.20	15.50	8.50	35.20	24.60	7.80	6.35	3.08	2.44
				Intermediate	675	21.20	11.60		14.95						
				Low	675	13.90	11.20		27.40						
HMH72B361S	YPLC080B12MP13C	21.0	XAHC36D	High	1000	34.20	23.20	15.50	8.50	35.20	24.60	7.80	6.35	3.08	2.44
				Intermediate	675	21.20	11.60		14.95						
				Low	675	13.90	11.20		27.40						
HMH72B361S	TM8E120C16MP11	21.0	XAHC36D	High	1100	35.00	24.40	16.50	8.50	35.60	24.60	7.80	6.15	3.20	2.50
				Intermediate	750	21.60	12.40		15.65						
				Low	750	14.20	11.90		29.85						
HMH72B361S	TMLE120C16MP11	21.0	XAHC36D	High	1100	35.00	24.40	16.50	8.50	35.60	24.60	7.80	6.15	3.20	2.50
				Intermediate	750	21.60	12.40		15.65						
				Low	750	14.20	11.90		29.85						
HMH72B361S	TM8E100B12MP11	21.0	XAFC36D	High	1100	35.40	24.80	18.00	8.50	36.00	25.20	7.80	6.30	3.24	2.54
				Intermediate	700	24.20	11.10		17.85						
				Low	700	14.40	11.70		30.85						
HMH72B361S	TMLE100B12MP11	21.0	XAFC36D	High	1100	35.40	24.80	18.00	8.50	36.00	25.20	7.80	6.30	3.24	2.54
				Intermediate	700	24.20	11.10		17.85						
				Low	700	14.40	11.70		30.85						
HMH72B361S	TM8E080B12MP11	21.0	XAFC36D	High	1200	35.60	25.40	18.00	8.50	36.00	25.80	7.80	6.35	3.24	2.52
				Intermediate	725	24.80	12.30		18.25						
				Low	725	14.50	12.00		30.60						
HMH72B361S	TMLE080B12MP11	21.0	XAFC36D	High	1200	35.60	25.40	18.00	8.50	36.00	25.80	7.80	6.35	3.24	2.52
				Intermediate	725	24.80	12.30		18.25						
				Low	725	14.50	12.00		30.60						
HMH72B361S	TL9E100C20UH11	21.0	XAHC36D	High	1200	35.40	25.40	15.50	8.50	36.00	25.00	7.80	6.40	3.24	2.52
				Intermediate	1000	22.80	15.70		15.25						
				Low	1000	14.60	14.20		25.15						
HMH72B361S	TL8E060A12UH11	17.5	XAFB36D	High	1100	35.40	24.80	18.00	8.50	36.00	25.40	7.80	6.40	3.22	2.52
				Intermediate	650	24.20	11.00		18.15						
				Low	650	14.30	11.20		31.65						
HMH72B361S	TM9Y080C16MP11	21.0	XAHC36D	High	1075	34.80	24.20	17.00	8.50	35.40	24.80	7.80	6.00	3.16	2.48
				Intermediate	600	21.00	10.70		15.55						
				Low	600	13.90	10.50		31.65						
HMH72B361S	TM9Y060B12MP11	21.0	XAHC36D	High	1075	34.60	24.00	16.00	8.50	35.60	25.00	7.50	5.55	3.10	2.44
				Intermediate	675	21.20	11.50		15.35						
				Low	675	14.00	11.20		29.30						
HMH72B361S	TM9V080C16MP12C	21.0	XAHC36D	High	1225	35.20	25.20	16.00	8.50	36.00	25.20	7.80	6.50	3.22	2.50
				Intermediate	800	21.80	13.10		15.25						
				Low	800	14.20	12.40		27.30						
HMH72B361S	TP9C080C16MP13C	21.0	XAHC36D	High	1225	35.20	25.20	16.00	8.50	36.00	25.20	7.80	6.50	3.22	2.50
				Intermediate	800	21.80	13.10		15.25						
				Low	800	14.20	12.40		27.30						
HMH72B361S	YP9C080C16MP13C	21.0	XAHC36D	High	1225	35.20	25.20	16.00	8.50	36.00	25.20	7.80	6.50	3.22	2.50
				Intermediate	800	21.80	13.10		15.25						
				Low	800	14.20	12.40		27.30						
HMH72B361S	TM9V060B12MP12C	21.0	XAHC36D	High	1125	34.60	24.20	16.00	8.50	35.80	25.20	7.80	6.35	3.14	2.46
				Intermediate	700	21.40	12.00		15.10						
				Low	700	14.00	11.50		27.95						
HMH72B361S	TP9C060B12MP13C	21.0	XAHC36D	High	1125	34.60	24.20	16.00	8.50	35.80	25.20	7.80	6.35	3.14	2.46
				Intermediate	700	21.40	12.00		15.10						
				Low	700	14.00	11.50		27.95						
HMH72B361S	YP9C060B12MP13C	21.0	XAHC36D	High	1125	34.60	24.20	16.00	8.50	35.80	25.20	7.80	6.35	3.14	2.46
				Intermediate	700	21.40	12.00		15.10						
				Low	700	14.00	11.50		27.95						
HMH72B361S	TM9E060A10MP12	17.5	XAHB36D	High	900	33.80	22.40	15.50	8.50	34.60	24.40	7.50	5.60	3.02	2.42
				Intermediate	625	21.00	11.00		14.90						
				Low	625	13.80	10.80		27.65						
HMH72B361S	TM8Y100C16MP11	21.0	XAHC36D	High	1175	35.40	25.20	17.00	8.50	35.80	25.00	7.80	5.85	3.22	2.52
				Intermediate	725	21.60	12.20		15.80						
				Low	725	14.20	11.70		30.95						

**Table 8: Furnace capacity - 3 ton - 36k**

Outdoor unit model	Furnace model	Furnace width (in.)	Indoor coil model	Stage	Rated CFM	Net cool (MBH)	Sens cool (MBH)	SEER2	EER2	Net47 (MBH)	Net17 (MBH)	HSPF2 IV	HSPF2 V	Cop47	Cop17
HMH72B361S	TM8Y080B12MP11	21.0	XAFC36D	High	1050	35.40	24.40	18.00	9.00	35.80	25.00	7.80	6.30	3.22	2.54
				Intermediate	650	24.00	10.50		17.75						
				Low	650	14.30	11.30		30.90						
HMH72B361S	TM8V080C16MP12C	21.0	XAHC36D	High	1200	35.40	25.40	16.00	8.50	36.00	25.00	7.80	6.10	3.24	2.52
				Intermediate	800	21.80	13.10		15.40						
				Low	800	14.30	12.40		28.00						
HMH72B361S	TM8E100B12MP11	21.0	XAHC36D	High	1100	34.80	24.20	16.50	8.50	35.40	24.80	7.80	6.25	3.16	2.48
				Intermediate	675	21.40	11.70		15.45						
				Low	675	14.00	11.20		30.00						
HMH72B361S	TMLE100B12MP11	21.0	XAHC36D	High	1100	34.80	24.20	16.50	8.50	35.40	24.80	7.80	6.25	3.16	2.48
				Intermediate	675	21.40	11.70		15.45						
				Low	675	14.00	11.20		30.00						
HMH72B361S	TM8E080B12MP11	21.0	XAHC36D	High	1200	35.00	25.00	16.50	8.50	36.00	25.40	7.80	6.55	3.18	2.46
				Intermediate	700	21.40	11.90		15.50						
				Low	700	14.10	11.50		29.70						
HMH72B361S	TMLE080B12MP11	21.0	XAHC36D	High	1200	35.00	25.00	16.50	8.50	36.00	25.40	7.80	6.55	3.18	2.46
				Intermediate	700	21.40	11.90		15.50						
				Low	700	14.10	11.50		29.70						
HMH72B361S	TM8E040A12MP11	17.5	XAHB36D	High	1050	34.60	23.80	16.50	8.50	35.20	24.60	7.80	6.25	3.14	2.48
				Intermediate	625	21.00	10.90		15.40						
				Low	625	13.90	10.80		30.30						
HMH72B361S	TMLE040A12MP11	17.5	XAHB36D	High	1050	34.60	23.80	16.50	8.50	35.20	24.60	7.80	6.25	3.14	2.48
				Intermediate	625	21.00	10.90		15.40						
				Low	625	13.90	10.80		30.30						
HMH72B361S	TL9E060B12UH11	21.0	XAHC36D	High	900	34.00	22.60	16.00	8.50	34.60	24.20	7.80	6.35	3.04	2.44
				Intermediate	600	20.80	10.60		15.15						
				Low	600	13.80	10.50		29.30						
HMH72B361S	TL8E080C16UH11	21.0	XAFC36D	High	1225	36.00	25.80	17.50	9.00	36.00	25.60	7.80	6.70	3.32	2.56
				Intermediate	875	24.80	12.70		17.50						
				Low	875	14.80	13.40		28.20						
HMH72B361S	TM9Y060B12MP11	17.5	XAHB36D	High	1025	34.40	23.60	16.00	8.50	35.40	25.00	7.50	5.55	3.06	2.42
				Intermediate	650	21.20	11.40		15.20						
				Low	650	13.90	11.00		28.85						
HMH72B361S	TM9V060B12MP12C	17.5	XAHB36D	High	1025	34.20	23.40	15.50	8.50	35.40	24.80	7.50	5.60	3.08	2.44
				Intermediate	650	21.00	11.20		15.00						
				Low	650	13.90	11.00		27.80						
HMH72B361S	TP9C060B12MP13C	17.5	XAHB36D	High	1025	34.20	23.40	15.50	8.50	35.40	24.80	7.50	5.60	3.08	2.44
				Intermediate	650	21.00	11.20		15.00						
				Low	650	13.90	11.00		27.80						
HMH72B361S	YP9C060B12MP13C	17.5	XAHB36D	High	1025	34.20	23.40	15.50	8.50	35.40	24.80	7.50	5.60	3.08	2.44
				Intermediate	650	21.00	11.20		15.00						
				Low	650	13.90	11.00		27.80						
HMH72B361S	TM9E060A10MP12	17.5	XAFB36D	High	1025	34.80	23.80	17.50	8.50	35.80	25.20	7.80	6.40	3.14	2.48
				Intermediate	675	23.80	10.30		17.15						
				Low	675	14.20	11.40		29.00						
HMH72B361S	TM8Y100C16MP11	21.0	XAFC36D	High	1200	36.00	25.80	18.00	9.00	36.00	25.40	7.80	6.65	3.32	2.58
				Intermediate	725	24.80	12.30		18.55						
				Low	725	14.50	11.90		31.85						
HMH72B361S	TM8Y080C16MP11	21.0	XAFC36D	High	1200	36.00	25.80	18.00	9.00	36.00	25.40	7.80	6.65	3.32	2.58
				Intermediate	725	24.80	12.30		18.55						
				Low	725	14.50	11.90		31.85						
HMH72B361S	TM8Y080B12MP11	17.5	XAFB36D	High	1025	35.20	24.20	18.00	9.00	35.60	25.00	7.80	6.40	3.18	2.52
				Intermediate	650	23.80	10.20		17.60						
				Low	650	14.30	11.30		30.80						
HMH72B361S	TM8V080C16MP12C	21.0	XAFC36D	High	1200	36.00	25.80	17.50	9.00	36.00	25.40	7.80	6.60	3.32	2.58
				Intermediate	800	24.60	12.20		17.70						
				Low	800	14.60	12.70		28.90						
HMH72B361S	TM8E100B12MP11	17.5	XAHB36D	High	1075	34.80	24.20	16.50	8.50	35.40	24.80	7.80	6.20	3.14	2.48
				Intermediate	650	21.20	11.30		15.30						
				Low	650	13.90	11.00		29.55						

**Table 8: Furnace capacity - 3 ton - 36k**

Outdoor unit model	Furnace model	Furnace width (in.)	Indoor coil model	Stage	Rated CFM	Net cool (MBH)	Sens cool (MBH)	SEER2	EER2	Net47 (MBH)	Net17 (MBH)	HSPF2 IV	HSPF2 V	Cop47	Cop17
HMH72B361S	TMLE100B12MP11	17.5	XAHB36D	High	1075	34.80	24.20	16.50	8.50	35.40	24.80	7.80	6.20	3.14	2.48
				Intermediate	650	21.20	11.30		15.30						
				Low	650	13.90	11.00		29.55	2.20	0.92				
HMH72B361S	TM8E080B12MP11	17.5	XAHB36D	High	1075	34.60	24.00	16.00	8.50	35.60	24.80	7.80	6.35	3.12	2.46
				Intermediate	675	21.20	11.50		15.30						
				Low	675	14.00	11.20		29.10	2.00	0.84				
HMH72B361S	TMLE080B12MP11	17.5	XAHB36D	High	1075	34.60	24.00	16.00	8.50	35.60	24.80	7.80	6.35	3.12	2.46
				Intermediate	675	21.20	11.50		15.30						
				Low	675	14.00	11.20		29.10	2.00	0.84				
HMH72B361S	TM8E040A12MP11	17.5	XAFB36D	High	1075	35.40	24.60	18.00	9.00	35.80	25.20	7.80	6.30	3.22	2.54
				Intermediate	650	24.20	10.90		17.95						
				Low	650	14.30	11.30		31.35	2.10	0.90				
HMH72B361S	TMLE040A12MP11	17.5	XAFB36D	High	1075	35.40	24.60	18.00	9.00	35.80	25.20	7.80	6.30	3.22	2.54
				Intermediate	650	24.20	10.90		17.95						
				Low	650	14.30	11.30		31.35	2.10	0.90				
HMH72B361S	TL8E060A12UH11	17.5	XAHB36D	High	1050	34.80	24.00	16.50	8.50	35.40	24.80	7.80	6.35	3.10	2.46
				Intermediate	600	21.00	10.70		15.35						
				Low	600	13.80	10.50		30.35	2.40	1.00				
HMH72B361S	TM9Y080B12MP11	17.5	XAHB36D	High	1000	34.40	23.40	16.00	8.50	35.20	24.60	7.80	6.35	3.08	2.44
				Intermediate	650	21.20	11.30		15.20						
				Low	650	13.90	11.00		28.90	2.20	0.90				
HMH72B361S	TM9V080B12MP12C	17.5	XAHB36D	High	1100	34.60	24.00	15.50	8.50	35.80	25.00	7.80	6.35	3.12	2.46
				Intermediate	750	21.60	12.60		15.05						
				Low	750	14.10	12.00		26.90	2.30	0.90				
HMH72B361S	TP9C080B12MP13C	17.5	XAHB36D	High	1100	34.60	24.00	15.50	8.50	35.80	25.00	7.80	6.35	3.12	2.46
				Intermediate	750	21.60	12.60		15.05						
				Low	750	14.10	12.00		26.90	2.30	0.90				
HMH72B361S	YP9C080B12MP13C	17.5	XAHB36D	High	1100	34.60	24.00	15.50	8.50	35.80	25.00	7.80	6.35	3.12	2.46
				Intermediate	750	21.60	12.60		15.05						
				Low	750	14.10	12.00		26.90	2.30	0.90				
HMH72B361S	TM9E060B12MP12	17.5	XAHB36D	High	1075	34.80	24.00	16.00	8.50	35.60	25.00	7.50	5.55	3.10	2.44
				Intermediate	700	21.40	12.00		15.10						
				Low	700	14.00	11.50		27.75	2.40	0.94				
HMH72B361S	TM8Y120C20MP11	21.0	XAFB36D	High	1000	35.20	24.00	16.50	9.00	35.20	24.80	7.80	6.35	3.22	2.56
				Intermediate	875	23.40	9.90		16.25						
				Low	875	14.70	13.40		27.40	2.10	0.80				
HMH72B361S	TM8Y100C20MP11	21.0	XAFB36D	High	1000	35.20	24.00	16.50	9.00	35.20	24.80	7.80	6.35	3.22	2.56
				Intermediate	875	23.40	9.90		16.25						
				Low	875	14.70	13.40		27.40	2.10	0.80				
HMH72B361S	TM8Y060A12MP11	17.5	XAFB36D	High	975	34.80	23.60	18.00	8.50	35.40	25.00	7.80	6.35	3.14	2.50
				Intermediate	625	23.60	9.70		17.35						
				Low	625	14.20	11.00		30.55	2.10	0.90				
HMH72B361S	TM8V080B12MP12C	17.5	XAHB36D	High	1000	34.20	23.20	15.50	8.00	35.20	24.80	7.50	5.55	3.06	2.42
				Intermediate	675	21.20	11.60		14.80						
				Low	675	13.90	11.30		26.80	2.10	0.84				
HMH72B361S	TPLC080B12MP13C	17.5	XAHB36D	High	1000	34.20	23.20	15.50	8.00	35.20	24.80	7.50	5.55	3.06	2.42
				Intermediate	675	21.20	11.60		14.80						
				Low	675	13.90	11.30		26.80	2.10	0.84				
HMH72B361S	YPLC080B12MP13C	17.5	XAHB36D	High	1000	34.20	23.20	15.50	8.00	35.20	24.80	7.50	5.55	3.06	2.42
				Intermediate	675	21.20	11.60		14.80						
				Low	675	13.90	11.30		26.80	2.10	0.84				
HMH72B361S	TM8E120C16MP11	21.0	XAFB36D	High	1125	35.60	25.00	18.00	9.00	36.00	25.20	7.80	6.20	3.28	2.58
				Intermediate	750	24.40	11.50		17.80						
				Low	750	14.50	12.20		30.60	2.00	0.82				
HMH72B361S	TMLE120C16MP11	21.0	XAFB36D	High	1125	35.60	25.00	18.00	9.00	36.00	25.20	7.80	6.20	3.28	2.58
				Intermediate	750	24.40	11.50		17.80						
				Low	750	14.50	12.20		30.60	2.00	0.82				
HMH72B361S	TM8E100B12MP11	17.5	XAFB36D	High	1100	35.40	24.80	18.00	8.50	36.00	25.20	7.80	6.30	3.22	2.54
				Intermediate	675	24.20	11.10		17.90						
				Low	675	14.30	11.50		30.70	2.20	0.90				



**Table 8: Furnace capacity - 3 ton - 36k**

Outdoor unit model	Furnace model	Furnace width (in.)	Indoor coil model	Stage	Rated CFM	Net cool (MBH)	Sens cool (MBH)	SEER2	EER2	Net47 (MBH)	Net17 (MBH)	HSPF2 IV	HSPF2 V	Cop47	Cop17
HMH72B361S	TMLE100B12MP11	17.5	XAFB36D	High	1100	35.40	24.80	18.00	8.50	36.00	25.20	7.80	6.30	3.22	2.54
				Intermediate	675	24.20	11.10		17.90						
				Low	675	14.30	11.50		30.70						
HMH72B361S	TM8E080B12MP11	17.5	XAFB36D	High	1200	35.60	25.40	18.00	8.50	36.00	25.80	7.80	6.35	3.24	2.52
				Intermediate	725	24.80	12.30		18.25						
				Low	725	14.50	12.00		30.50						
HMH72B361S	TMLE080B12MP11	17.5	XAFB36D	High	1200	35.60	25.40	18.00	8.50	36.00	25.80	7.80	6.35	3.24	2.52
				Intermediate	725	24.80	12.30		18.25						
				Low	725	14.50	12.00		30.50						
HMH72B361S	TL9E100C20UH11	21.0	XAFC36D	High	1225	36.00	26.00	16.50	9.00	36.00	25.60	7.80	6.30	3.34	2.58
				Intermediate	1000	24.60	12.70		16.60						
				Low	1000	15.00	14.60		25.90						
HMH72B361S	TL8E100C20UH11	21.0	XAHC36D	High	1025	34.80	24.00	16.00	9.00	34.80	24.40	7.80	6.15	3.18	2.52
				Intermediate	900	22.20	14.30		15.25						
				Low	900	14.40	13.30		26.25						
HMH72B361S	TM9V040A10MP12C	17.5	XAHB36D	High	900	33.80	22.40	15.50	8.50	34.80	24.40	7.50	5.70	3.00	2.42
				Intermediate	575	20.60	10.30		14.65						
				Low	575	13.60	10.30		27.30						
HMH72B361S	TM9E080B12MP12	21.0	XAHC36D	High	1200	35.20	25.20	16.00	8.50	36.00	25.40	7.80	6.35	3.18	2.48
				Intermediate	750	21.60	12.50		15.35						
				Low	750	14.20	12.00		28.35						
HMH72B361S	TM9E060B12MP12	21.0	XAFC36D	High	1125	35.40	24.80	17.50	8.50	36.00	25.60	7.80	6.40	3.18	2.50
				Intermediate	725	24.20	11.30		17.50						
				Low	725	14.40	12.00		28.85						
HMH72B361S	TM8Y080B12MP11	21.0	XAHC36D	High	1025	34.60	23.80	16.50	8.50	35.20	24.60	7.80	6.25	3.12	2.48
				Intermediate	650	21.20	11.30		15.45						
				Low	650	14.00	11.00		30.10						
HMH72B361S	TM8V100C16MP12C	21.0	XAHC36D	High	1200	35.40	25.40	16.00	8.50	36.00	25.00	7.80	6.10	3.24	2.52
				Intermediate	800	21.80	13.10		15.40						
				Low	800	14.30	12.40		28.00						
HMH72B361S	TMLV100C16MP12C	21.0	XAHC36D	High	1200	35.40	25.40	16.00	8.50	36.00	25.00	7.80	6.10	3.24	2.52
				Intermediate	800	21.80	13.10		15.40						
				Low	800	14.30	12.40		28.00						
HMH72B361S	TPLC080C16MP13C	21.0	XAHC36D	High	1200	35.40	25.40	16.00	8.50	36.00	25.00	7.80	6.10	3.24	2.52
				Intermediate	800	21.80	13.10		15.40						
				Low	800	14.30	12.40		28.00						
HMH72B361S	TPLC100C16MP13C	21.0	XAHC36D	High	1200	35.40	25.40	16.00	8.50	36.00	25.00	7.80	6.10	3.24	2.52
				Intermediate	800	21.80	13.10		15.40						
				Low	800	14.30	12.40		28.00						
HMH72B361S	YPLC080C16MP13C	21.0	XAHC36D	High	1200	35.40	25.40	16.00	8.50	36.00	25.00	7.80	6.10	3.24	2.52
				Intermediate	800	21.80	13.10		15.40						
				Low	800	14.30	12.40		28.00						
HMH72B361S	YPLC100C16MP13C	21.0	XAHC36D	High	1200	35.40	25.40	16.00	8.50	36.00	25.00	7.80	6.10	3.24	2.52
				Intermediate	800	21.80	13.10		15.40						
				Low	800	14.30	12.40		28.00						
HMH72B361S	TM8V080B12MP12C	21.0	XAFC36D	High	1100	35.20	24.60	17.00	8.50	36.00	25.60	7.80	6.40	3.18	2.50
				Intermediate	725	24.00	11.00		17.15						
				Low	725	14.30	11.90		27.80						
HMH72B361S	TPLC080B12MP13C	21.0	XAFC36D	High	1100	35.20	24.60	17.00	8.50	36.00	25.60	7.80	6.40	3.18	2.50
				Intermediate	725	24.00	11.00		17.15						
				Low	725	14.30	11.90		27.80						
HMH72B361S	YPLC080B12MP13C	21.0	XAFC36D	High	1100	35.20	24.60	17.00	8.50	36.00	25.60	7.80	6.40	3.18	2.50
				Intermediate	725	24.00	11.00		17.15						
				Low	725	14.30	11.90		27.80						
HMH72B361S	TM8E100C16MP11	21.0	XAHC36D	High	1100	35.00	24.40	16.50	8.50	35.60	24.60	7.80	6.15	3.20	2.50
				Intermediate	725	21.60	12.20		15.55						
				Low	725	14.20	11.70		29.75						
HMH72B361S	TMLE100C16MP11	21.0	XAHC36D	High	1100	35.00	24.40	16.50	8.50	35.60	24.60	7.80	6.15	3.20	2.50
				Intermediate	725	21.60	12.20		15.55						
				Low	725	14.20	11.70		29.75						

**Table 8: Furnace capacity - 3 ton - 36k**

Outdoor unit model	Furnace model	Furnace width (in.)	Indoor coil model	Stage	Rated CFM	Net cool (MBH)	Sens cool (MBH)	SEER2	EER2	Net47 (MBH)	Net17 (MBH)	HSPF2 IV	HSPF2 V	Cop47	Cop17
HMH72B361S	TM8E080C16MP11	21.0	XAHC36D	High	1075	35.00	24.40	16.50	8.50	35.20	24.60	7.80	6.15	3.18	2.50
				Intermediate	750	21.60	12.40		15.55						
				Low	750	14.20	11.90		29.50						
HMH72B361S	TMLE080C16MP11	21.0	XAHC36D	High	1075	35.00	24.40	16.50	8.50	35.20	24.60	7.80	6.15	3.18	2.50
				Intermediate	750	21.60	12.40		15.55						
				Low	750	14.20	11.90		29.50						
HMH72B361S	TM8E060A12MP11	17.5	XAHB36D	High	1075	34.60	24.00	16.00	8.50	35.40	24.80	7.80	6.35	3.12	2.46
				Intermediate	700	21.40	11.90		15.30						
				Low	700	14.00	11.40		28.85						
HMH72B361S	TMLE060A12MP11	17.5	XAHB36D	High	1075	34.60	24.00	16.00	8.50	35.40	24.80	7.80	6.35	3.12	2.46
				Intermediate	700	21.40	11.90		15.30						
				Low	700	14.00	11.40		28.85						
HMH72B361S	TL9E080C16UH11	21.0	XAHC36D	High	1100	35.00	24.40	16.00	8.50	35.60	24.80	7.80	6.25	3.18	2.50
				Intermediate	825	22.00	13.50		15.30						
				Low	825	14.30	12.60		27.15						
HMH72B361S	TL8E100C20UH11	21.0	XAFC36D	High	1050	35.60	24.60	16.50	9.00	35.40	24.80	7.80	6.20	3.26	2.58
				Intermediate	900	23.60	10.50		16.30						
				Low	900	14.80	13.70		27.05						
HMH72B361S	TM9V040A10MP12C	17.5	XAFB36D	High	900	34.40	22.80	17.00	8.50	35.20	24.80	7.80	6.25	3.08	2.46
				Intermediate	575	23.00	8.70		16.60						
				Low	575	13.90	10.50		28.30						
HMH72B361S	TM9E080B12MP12	17.5	XAHB36D	High	1075	34.60	24.00	16.00	8.50	35.60	25.00	7.80	6.35	3.12	2.46
				Intermediate	725	21.40	12.10		15.15						
				Low	725	14.10	11.70		27.70						
HMH72B361S	TM9E060B12MP12	17.5	XAFB36D	High	1125	35.40	24.80	17.50	8.50	36.00	25.60	7.80	6.40	3.18	2.50
				Intermediate	725	24.20	11.30		17.50						
				Low	725	14.40	12.00		28.80						
HMH72B361S	TM8Y080B12MP11	17.5	XAHB36D	High	1000	34.40	23.40	16.50	8.50	35.00	24.60	7.80	6.40	3.10	2.46
				Intermediate	625	21.00	10.90		15.30						
				Low	625	13.90	10.80		29.75						
HMH72B361S	TM8V100C16MP12C	21.0	XAFC36D	High	1150	35.80	25.20	17.50	9.00	36.00	25.20	7.80	6.20	3.30	2.58
				Intermediate	775	24.40	11.70		17.60						
				Low	775	14.50	12.40		29.25						
HMH72B361S	TMLV100C16MP12C	21.0	XAFC36D	High	1150	35.80	25.20	17.50	9.00	36.00	25.20	7.80	6.20	3.30	2.58
				Intermediate	775	24.40	11.70		17.60						
				Low	775	14.50	12.40		29.25						
HMH72B361S	TPLC080C16MP13C	21.0	XAFC36D	High	1150	35.80	25.20	17.50	9.00	36.00	25.20	7.80	6.20	3.30	2.58
				Intermediate	775	24.40	11.70		17.60						
				Low	775	14.50	12.40		29.25						
HMH72B361S	TPLC100C16MP13C	21.0	XAFC36D	High	1150	35.80	25.20	17.50	9.00	36.00	25.20	7.80	6.20	3.30	2.58
				Intermediate	775	24.40	11.70		17.60						
				Low	775	14.50	12.40		29.25						
HMH72B361S	YPLC080C16MP13C	21.0	XAFC36D	High	1150	35.80	25.20	17.50	9.00	36.00	25.20	7.80	6.20	3.30	2.58
				Intermediate	775	24.40	11.70		17.60						
				Low	775	14.50	12.40		29.25						
HMH72B361S	YPLC100C16MP13C	21.0	XAFC36D	High	1150	35.80	25.20	17.50	9.00	36.00	25.20	7.80	6.20	3.30	2.58
				Intermediate	775	24.40	11.70		17.60						
				Low	775	14.50	12.40		29.25						
HMH72B361S	TM8V080B12MP12C	17.5	XAFB36D	High	1000	34.80	23.60	17.00	8.50	35.60	25.20	7.80	6.45	3.14	2.50
				Intermediate	675	23.60	10.00		16.80						
				Low	675	14.20	11.50		28.05						
HMH72B361S	TPLC080B12MP13C	17.5	XAFB36D	High	1000	34.80	23.60	17.00	8.50	35.60	25.20	7.80	6.45	3.14	2.50
				Intermediate	675	23.60	10.00		16.80						
				Low	675	14.20	11.50		28.05						
HMH72B361S	YPLC080B12MP13C	17.5	XAFB36D	High	1000	34.80	23.60	17.00	8.50	35.60	25.20	7.80	6.45	3.14	2.50
				Intermediate	675	23.60	10.00		16.80						
				Low	675	14.20	11.50		28.05						
HMH72B361S	TM8E100C16MP11	21.0	XAFC36D	High	1125	35.60	25.00	18.00	9.00	36.00	25.20	7.80	6.20	3.28	2.56
				Intermediate	750	24.40	11.50		17.85						
				Low	750	14.50	12.20		30.65						

**Table 8: Furnace capacity - 3 ton - 36k**

Outdoor unit model	Furnace model	Furnace width (in.)	Indoor coil model	Stage	Rated CFM	Net cool (MBH)	Sens cool (MBH)	SEER2	EER2	Net47 (MBH)	Net17 (MBH)	HSPF2 IV	HSPF2 V	Cop47	Cop17
HMH72B361S	TMLE100C16MP11	21.0	XAFC36D	High	1125	35.60	25.00	18.00	9.00	36.00	25.20	7.80	6.20	3.28	2.56
				Intermediate	750	24.40	11.50		17.85						
				Low	750	14.50	12.20		30.65						
HMH72B361S	TM8E080C16MP11	21.0	XAFC36D	High	1075	35.60	24.80	18.00	9.00	35.80	25.00	7.80	6.30	3.24	2.56
				Intermediate	750	24.00	10.80		17.50						
				Low	750	14.50	12.20		30.15						
HMH72B361S	TMLE080C16MP11	21.0	XAFC36D	High	1075	35.60	24.80	18.00	9.00	35.80	25.00	7.80	6.30	3.24	2.56
				Intermediate	750	24.00	10.80		17.50						
				Low	750	14.50	12.20		30.15						
HMH72B361S	TM8E060A12MP11	17.5	XAFB36D	High	1100	35.40	24.80	18.00	8.50	36.00	25.40	7.80	6.35	3.22	2.52
				Intermediate	725	24.20	11.10		17.60						
				Low	725	14.40	11.90		29.90						
HMH72B361S	TMLE060A12MP11	17.5	XAFB36D	High	1100	35.40	24.80	18.00	8.50	36.00	25.40	7.80	6.35	3.22	2.52
				Intermediate	725	24.20	11.10		17.60						
				Low	725	14.40	11.90		29.90						
HMH72B361S	TL8E080C16UH11	21.0	XAHC36D	High	1200	35.40	25.40	16.00	8.50	36.00	25.20	7.80	6.25	3.22	2.50
				Intermediate	875	22.20	14.00		15.50						
				Low	875	14.40	13.10		27.45						
HMH72B361S	TM9V060B12MP12C	17.5	XAFB36D	High	1125	35.20	24.60	17.50	8.50	36.00	25.60	7.80	6.15	3.20	2.50
				Intermediate	700	24.20	11.30		17.50						
				Low	700	14.30	11.70		28.60						
HMH72B361S	TP9C060B12MP13C	17.5	XAFB36D	High	1125	35.20	24.60	17.50	8.50	36.00	25.60	7.80	6.15	3.20	2.50
				Intermediate	700	24.20	11.30		17.50						
				Low	700	14.30	11.70		28.60						
HMH72B361S	YP9C060B12MP13C	17.5	XAFB36D	High	1125	35.20	24.60	17.50	8.50	36.00	25.60	7.80	6.15	3.20	2.50
				Intermediate	700	24.20	11.30		17.50						
				Low	700	14.30	11.70		28.60						
HMH72B361S	TM9Y080B12MP11	21.0	XAFC36D	High	1175	35.60	25.20	18.00	8.50	36.00	25.80	7.80	6.40	3.22	2.50
				Intermediate	700	24.60	12.00		18.20						
				Low	700	14.40	11.70		30.55						
HMH72B361S	TM9V100C16MP12C	21.0	XAHC36D	High	1200	35.40	25.40	16.00	8.50	36.00	25.00	7.80	6.45	3.24	2.52
				Intermediate	800	21.80	13.10		15.40						
				Low	800	14.30	12.40		27.85						
HMH72B361S	TP9C100C16MP13C	21.0	XAHC36D	High	1200	35.40	25.40	16.00	8.50	36.00	25.00	7.80	6.45	3.24	2.52
				Intermediate	800	21.80	13.10		15.40						
				Low	800	14.30	12.40		27.85						
HMH72B361S	YP9C100C16MP13C	21.0	XAHC36D	High	1200	35.40	25.40	16.00	8.50	36.00	25.00	7.80	6.45	3.24	2.52
				Intermediate	800	21.80	13.10		15.40						
				Low	800	14.30	12.40		27.85						
HMH72B361S	TM9Y100C16MP11	21.0	XAFC36D	High	1075	35.40	24.60	18.00	9.00	34.00	23.20	7.80	6.30	3.06	2.34
				Intermediate	600	24.20	10.80		18.20						
				Low	600	14.20	10.80		31.90						
HMH72B361S	TM9Y080B12MP11	17.5	XAFB36D	High	1175	35.60	25.20	18.00	8.50	36.00	25.80	7.80	6.40	3.22	2.50
				Intermediate	700	24.60	12.00		18.15						
				Low	700	14.40	11.70		30.50						
HMH72B361S	TM9V100C16MP12C	21.0	XAFC36D	High	1200	36.00	25.80	17.50	9.00	36.00	25.40	7.80	6.65	3.32	2.58
				Intermediate	800	24.60	12.30		17.65						
				Low	800	14.60	12.70		28.75						
HMH72B361S	TP9C100C16MP13C	21.0	XAFC36D	High	1200	36.00	25.80	17.50	9.00	36.00	25.40	7.80	6.65	3.32	2.58
				Intermediate	800	24.60	12.30		17.65						
				Low	800	14.60	12.70		28.75						
HMH72B361S	YP9C100C16MP13C	21.0	XAFC36D	High	1200	36.00	25.80	17.50	9.00	36.00	25.40	7.80	6.65	3.32	2.58
				Intermediate	800	24.60	12.30		17.65						
				Low	800	14.60	12.70		28.75						
HMH72B361S	TM9V080B12MP12C	17.5	XAFB36D	High	1200	35.60	25.40	17.00	8.50	36.00	25.80	7.80	6.35	3.24	2.52
				Intermediate	800	24.60	12.30		17.45						
				Low	800	14.50	12.60		27.85						
HMH72B361S	TP9C080B12MP13C	17.5	XAFB36D	High	1200	35.60	25.40	17.00	8.50	36.00	25.80	7.80	6.35	3.24	2.52
				Intermediate	800	24.60	12.30		17.45						
				Low	800	14.50	12.60		27.85						

**Table 8: Furnace capacity - 3 ton - 36k**

Outdoor unit model	Furnace model	Furnace width (in.)	Indoor coil model	Stage	Rated CFM	Net cool (MBH)	Sens cool (MBH)	SEER2	EER2	Net47 (MBH)	Net17 (MBH)	HSPF2 IV	HSPF2 V	Cop47	Cop17
HMH72B361S	YP9C080B12MP13C	17.5	XAFB36D	High	1200	35.60	25.40	17.00	8.50	36.00	25.80	7.80	6.35	3.24	2.52
				Intermediate	800	24.60	12.30		17.45						
				Low	800	14.50	12.60		27.85	2.20					
HMH72B361S	TL9E080C16UH11	21.0	XAFC36D	High	1125	35.40	24.80	17.00	9.00	36.00	25.20	7.80	5.90	3.26	2.56
				Intermediate	850	24.20	11.50		17.05						
				Low	850	14.70	13.20		28.05	2.40					
HMH72B361S	TM9Y100C16MP11	21.0	XAHC36D	High	1200	34.80	25.00	16.25	8.75	35.40	24.60	10.00	8.35	3.26	2.54
				Intermediate	625	20.80	10.80		15.60						
				Low	625	13.80	10.60		32.15	9.50					
HMH72B361S	TM9Y080C16MP11	21.0	XAFC36D	High	1225	35.60	25.60	16.50	9.00	36.00	25.00	10.00	8.15	3.34	2.60
				Intermediate	650	21.20	11.30		15.80						
				Low	650	14.10	11.10		31.65	9.90					
HMH72B361S	TM9Y060B12MP11	17.5	XAFB36D	High	1100	34.80	24.40	16.25	8.75	36.00	25.00	10.00	8.35	3.22	2.54
				Intermediate	700	21.40	11.90		15.65						
				Low	700	14.10	11.50		30.20	9.90					
HMH72B361S	TM9Y060B12MP11	21.0	XAFC36D	High	1100	34.80	24.40	16.25	8.75	36.00	25.00	10.00	8.35	3.22	2.54
				Intermediate	700	21.40	11.90		15.65						
				Low	700	14.10	11.50		30.20	9.90					
HMH72B361S	TM9E100C16MP12	21.0	XAHC36D	High	1225	34.80	25.00	16.50	8.75	35.60	24.60	10.00	8.30	3.28	2.54
				Intermediate	800	21.60	12.80		15.75						
				Low	800	14.10	12.10		30.35	9.90					
HMH72B361S	TM9E080C16MP12	21.0	XAFC36D	High	1225	35.60	25.60	17.00	9.00	36.00	25.00	10.00	8.25	3.34	2.60
				Intermediate	775	22.00	12.90		16.10						
				Low	775	14.40	12.20		31.50	10.00					
HMH72B361S	TL9E060B12UH11	21.0	XAFC36D	High	1025	34.60	23.80	16.50	8.75	35.40	24.60	10.00	8.30	3.20	2.54
				Intermediate	675	21.40	11.70		15.70						
				Low	675	14.10	11.30		30.75	9.90					
HMH72B361S	TM9V080C16MP12C	21.0	XAFC36D	High	1225	35.60	25.60	16.50	9.00	36.00	25.00	10.00	8.25	3.34	2.60
				Intermediate	800	22.00	13.20		15.85						
				Low	800	14.40	12.40		29.95	10.10					
HMH72B361S	TP9C080C16MP13C	21.0	XAFC36D	High	1225	35.60	25.60	16.50	9.00	36.00	25.00	10.00	8.25	3.34	2.60
				Intermediate	800	22.00	13.20		15.85						
				Low	800	14.40	12.40		29.95	10.10					
HMH72B361S	YP9C080C16MP13C	21.0	XAFC36D	High	1225	35.60	25.60	16.50	9.00	36.00	25.00	10.00	8.25	3.34	2.60
				Intermediate	800	22.00	13.20		15.85						
				Low	800	14.40	12.40		29.95	10.10					
HMH72B361S	TM9V060B12MP12C	21.0	XAFC36D	High	1100	34.80	24.40	16.25	8.75	35.80	24.80	10.00	8.30	3.24	2.54
				Intermediate	700	21.40	11.90		15.60						
				Low	700	14.10	11.50		30.05	9.90					
HMH72B361S	TP9C060B12MP13C	21.0	XAFC36D	High	1100	34.80	24.40	16.25	8.75	35.80	24.80	10.00	8.30	3.24	2.54
				Intermediate	700	21.40	11.90		15.60						
				Low	700	14.10	11.50		30.05	9.90					
HMH72B361S	YP9C060B12MP13C	21.0	XAFC36D	High	1100	34.80	24.40	16.25	8.75	35.80	24.80	10.00	8.30	3.24	2.54
				Intermediate	700	21.40	11.90		15.60						
				Low	700	14.10	11.50		30.05	9.90					
HMH72B361S	TM9E100C16MP12	21.0	XAFC36D	High	1225	35.60	25.60	16.75	9.00	36.00	25.00	10.00	8.25	3.36	2.60
				Intermediate	800	22.00	13.10		16.05						
				Low	800	14.40	12.40		31.05	10.10					
HMH72B361S	TM9E080B12MP12	21.0	XAFC36D	High	1200	35.40	25.40	16.50	8.75	36.00	25.20	10.00	8.25	3.30	2.56
				Intermediate	825	22.00	13.40		15.85						
				Low	825	14.40	12.60		29.70	10.20					
HMH72B361S	TM9E080B12MP12	17.5	XAFB36D	High	1200	35.40	25.40	16.50	8.75	36.00	25.20	10.00	8.25	3.30	2.56
				Intermediate	825	22.00	13.40		15.85						
				Low	825	14.40	12.60		29.65	10.20					
HMH72B361S	TM9V080B12MP12C	21.0	XAFC36D	High	1175	35.20	25.00	16.50	8.75	36.00	25.00	10.00	8.15	3.30	2.58
				Intermediate	775	21.80	12.80		15.80						
				Low	775	14.30	12.20		30.00	10.00					
HMH72B361S	TP9C080B12MP13C	21.0	XAFC36D	High	1175	35.20	25.00	16.50	8.75	36.00	25.00	10.00	8.15	3.30	2.58
				Intermediate	775	21.80	12.80		15.80						
				Low	775	14.30	12.20		30.00	10.00					

**Table 8: Furnace capacity - 3 ton - 36k**

Outdoor unit model	Furnace model	Furnace width (in.)	Indoor coil model	Stage	Rated CFM	Net cool (MBH)	Sens cool (MBH)	SEER2	EER2	Net47 (MBH)	Net17 (MBH)	HSPF2 IV	HSPF2 V	Cop47	Cop17
HMH72B361S	YP9C080B12MP13C	21.0	XAFC36D	High	1175	35.20	25.00	16.50	8.75	36.00	25.00	10.00	8.15	3.30	2.58
				Intermediate	775	21.80	12.80		15.80						
				Low	775	14.30	12.20		30.00						
HMH72B361S	TL9E060B12UH11	17.5	XAFB36D	High	1000	34.40	23.40	16.50	8.75	35.40	24.60	10.00	8.35	3.18	2.52
				Intermediate	675	21.40	11.70		15.70						
				Low	675	14.10	11.30		30.75						
HMH72B361S	TM8Y060A12MP11	14.5	XAFA30D	High	1050	34.60	24.00	16.25	8.75	35.60	24.80	9.50	7.25	3.18	2.52
				Intermediate	650	21.20	11.30		15.60						
				Low	650	14.00	11.00		30.65						
HMH72B361S	TM8V060A12MP12C	17.5	XAFB36D	High	1275	35.60	26.00	16.25	8.75	36.00	25.40	9.50	7.10	3.34	2.58
				Intermediate	850	22.20	13.80		15.80						
				Low	850	14.50	12.90		29.10						
HMH72B361S	TMLV060A12MP12C	17.5	XAFB36D	High	1275	35.60	26.00	16.25	8.75	36.00	25.40	9.50	7.10	3.34	2.58
				Intermediate	850	22.20	13.80		15.80						
				Low	850	14.50	12.90		29.10						
HMH72B361S	TPLC060A12MP13C	17.5	XAFB36D	High	1275	35.60	26.00	16.25	8.75	36.00	25.40	9.50	7.10	3.34	2.58
				Intermediate	850	22.20	13.80		15.80						
				Low	850	14.50	12.90		29.10						
HMH72B361S	YPLC060A12MP13C	17.5	XAFB36D	High	1275	35.60	26.00	16.25	8.75	36.00	25.40	9.50	7.10	3.34	2.58
				Intermediate	850	22.20	13.80		15.80						
				Low	850	14.50	12.90		29.10						
HMH72B361S	TM9E060A10MP12	14.5	XAFA30D	High	975	34.20	23.20	16.00	8.75	35.40	24.60	9.50	7.20	3.14	2.50
				Intermediate	675	21.20	11.60		15.30						
				Low	675	14.00	11.30		28.80						
HMH72B361S	TL8E060A12UH11	14.5	XAFA30D	High	1150	35.00	24.80	16.50	8.75	36.00	25.20	9.50	7.10	3.24	2.54
				Intermediate	650	21.20	11.30		15.75						
				Low	650	14.00	11.00		31.20						
HMH72B361S	TM8E060A12MP11	14.5	XAFA30D	High	1150	35.00	24.80	16.50	8.75	36.00	25.20	9.50	6.95	3.24	2.54
				Intermediate	750	21.80	12.60		15.75						
				Low	750	14.20	11.90		29.95						
HMH72B361S	TML060A12MP11	14.5	XAFA30D	High	1150	35.00	24.80	16.50	8.75	36.00	25.20	9.50	6.95	3.24	2.54
				Intermediate	750	21.80	12.60		15.75						
				Low	750	14.20	11.90		29.95						
HMH72B361S	TM8E040A12MP11	14.5	XAFA30D	High	1125	35.00	24.60	16.50	8.75	36.00	25.00	9.50	7.10	3.24	2.54
				Intermediate	750	21.80	12.60		15.75						
				Low	750	14.30	12.00		30.05						
HMH72B361S	TML060A12MP11	14.5	XAFA30D	High	1125	35.00	24.60	16.50	8.75	36.00	25.00	9.50	7.10	3.24	2.54
				Intermediate	750	21.80	12.60		15.75						
				Low	750	14.30	12.00		30.05						
HMH72B361S	TM8V060A12MP12C	17.5	XAHB36D	High	1075	34.60	24.00	16.00	8.50	35.40	24.80	7.80	6.20	3.14	2.48
				Intermediate	725	21.40	12.10		15.20						
				Low	725	14.10	11.70		27.90						
HMH72B361S	TMLV060A12MP12C	17.5	XAHB36D	High	1075	34.60	24.00	16.00	8.50	35.40	24.80	7.80	6.20	3.14	2.48
				Intermediate	725	21.40	12.10		15.20						
				Low	725	14.10	11.70		27.90						
HMH72B361S	TPLC060A12MP13C	17.5	XAHB36D	High	1075	34.60	24.00	16.00	8.50	35.40	24.80	7.80	6.20	3.14	2.48
				Intermediate	725	21.40	12.10		15.20						
				Low	725	14.10	11.70		27.90						
HMH72B361S	YPLC060A12MP13C	17.5	XAHB36D	High	1075	34.60	24.00	16.00	8.50	35.40	24.80	7.80	6.20	3.14	2.48
				Intermediate	725	21.40	12.10		15.20						
				Low	725	14.10	11.70		27.90						
HMH72B361S	TM9V040A10MP12C	14.5	XAFA30D	High	900	33.80	22.40	15.75	8.75	35.00	24.40	9.50	7.35	3.10	2.48
				Intermediate	575	20.80	10.50		15.10						
				Low	575	13.70	10.30		28.90						
HMH72B361S	TL9E060B12UH11	17.5	XAHB36D	High	975	33.60	22.80	16.00	8.50	34.60	24.00	9.50	7.30	3.10	2.46
				Intermediate	650	20.80	11.00		15.25						
				Low	650	13.70	10.80		29.60						
HMH72B361S	TM9Y080B12MP11	17.5	XAHB36D	High	1000	34.40	23.40	16.00	8.50	35.20	24.60	7.80	6.35	3.08	2.44
				Intermediate	650	21.20	11.30		15.20						
				Low	700	13.80	11.20		29.65						

**Table 8: Furnace capacity - 3 ton - 36k**

Outdoor unit model	Furnace model	Furnace width (in.)	Indoor coil model	Stage	Rated CFM	Net cool (MBH)	Sens cool (MBH)	SEER2	EER2	Net47 (MBH)	Net17 (MBH)	HSPF2 IV	HSPF2 V	Cop47	Cop17
HMH72B361S	TM9Y080B12MP11	17.5	XAHB36D	High	1000	34.40	23.40	16.00	8.50	35.20	24.60	7.80	6.35	3.08	2.44
				Intermediate	650	21.20	11.30		15.20						
				Low	700	13.80	11.20		29.65	9.80					
HMH72B361S	TM9V060B12MP12C	17.5	XAHB36D	High	1025	34.20	23.40	15.50	8.50	35.40	24.80	7.50	5.60	3.08	2.44
				Intermediate	650	21.00	11.20		15.00						
				Low	700	13.80	11.20		28.40	9.80					
HMH72B361S	TP9C060B12MP13C	17.5	XAHB36D	High	1025	34.20	23.40	15.50	8.50	35.40	24.80	7.50	5.60	3.08	2.44
				Intermediate	650	21.00	11.20		15.00						
				Low	700	13.80	11.20		28.40	9.80					
HMH72B361S	YP9C060B12MP13C	17.5	XAHB36D	High	1025	34.20	23.40	15.50	8.50	35.40	24.80	7.50	5.60	3.08	2.44
				Intermediate	650	21.00	11.20		15.00						
				Low	700	13.80	11.20		28.40	9.80					
HMH72B361S	TM9V060B12MP12C	17.5	XAHB36D	High	1025	34.20	23.40	15.50	8.50	35.40	24.80	7.50	5.60	3.08	2.44
				Intermediate	650	21.00	11.20		15.00						
				Low	700	13.80	11.20		28.40	9.80					
HMH72B361S	TP9C060B12MP13C	17.5	XAHB36D	High	1025	34.20	23.40	15.50	8.50	35.40	24.80	7.50	5.60	3.08	2.44
				Intermediate	650	21.00	11.20		15.00						
				Low	700	13.80	11.20		28.40	9.80					
HMH72B361S	YP9C060B12MP13C	17.5	XAHB36D	High	1025	34.20	23.40	15.50	8.50	35.40	24.80	7.50	5.60	3.08	2.44
				Intermediate	650	21.00	11.20		15.00						
				Low	700	13.80	11.20		28.40	9.80					
HMH72B361S	TM9E060A10MP12	17.5	XAHB36D	High	900	33.80	22.40	15.50	8.50	34.60	24.40	7.50	5.60	3.02	2.42
				Intermediate	625	21.00	11.00		14.90						
				Low	700	13.80	11.20		28.40	9.80					
HMH72B361S	TM9E060A10MP12	17.5	XAHB36D	High	900	33.80	22.40	15.50	8.50	34.60	24.40	7.50	5.60	3.02	2.42
				Intermediate	625	21.00	11.00		14.90						
				Low	700	13.80	11.20		28.40	9.80					
HMH72B361S	TM8Y080B12MP11	17.5	XAHB36D	High	1000	34.40	23.40	16.50	8.50	35.00	24.60	7.80	6.40	3.10	2.46
				Intermediate	625	21.00	10.90		15.30						
				Low	675	13.80	11.00		30.50	9.70					
HMH72B361S	TM8Y080B12MP11	17.5	XAHB36D	High	1000	34.40	23.40	16.50	8.50	35.00	24.60	7.80	6.40	3.10	2.46
				Intermediate	625	21.00	10.90		15.30						
				Low	675	13.80	11.00		30.50	9.70					
HMH72B361S	TM8V100C16MP12C	21.0	XAHC36D	High	1200	35.40	25.40	16.00	8.50	36.00	25.00	7.80	6.10	3.24	2.52
				Intermediate	800	21.80	13.10		15.40						
				Low	850	14.20	12.60		29.50	10.00					
HMH72B361S	TMLV100C16MP12C	21.0	XAHC36D	High	1200	35.40	25.40	16.00	8.50	36.00	25.00	7.80	6.10	3.24	2.52
				Intermediate	800	21.80	13.10		15.40						
				Low	850	14.20	12.60		29.50	10.00					
HMH72B361S	TPLC080C16MP13C	21.0	XAHC36D	High	1200	35.40	25.40	16.00	8.50	36.00	25.00	7.80	6.10	3.24	2.52
				Intermediate	800	21.80	13.10		15.40						
				Low	850	14.20	12.60		29.50	10.00					
HMH72B361S	TPLC100C16MP13C	21.0	XAHC36D	High	1200	35.40	25.40	16.00	8.50	36.00	25.00	7.80	6.10	3.24	2.52
				Intermediate	800	21.80	13.10		15.40						
				Low	850	14.20	12.60		29.50	10.00					
HMH72B361S	YPLC080C16MP13C	21.0	XAHC36D	High	1200	35.40	25.40	16.00	8.50	36.00	25.00	7.80	6.10	3.24	2.52
				Intermediate	800	21.80	13.10		15.40						
				Low	850	14.20	12.60		29.50	10.00					
HMH72B361S	YPLC100C16MP13C	21.0	XAHC36D	High	1200	35.40	25.40	16.00	8.50	36.00	25.00	7.80	6.10	3.24	2.52
				Intermediate	800	21.80	13.10		15.40						
				Low	850	14.20	12.60		29.50	10.00					
HMH72B361S	TM8V100C16MP12C	21.0	XAHC36D	High	1200	35.40	25.40	16.00	8.50	36.00	25.00	7.80	6.10	3.24	2.52
				Intermediate	800	21.80	13.10		15.40						
				Low	850	14.20	12.60		29.50	10.00					
HMH72B361S	TMLV100C16MP12C	21.0	XAHC36D	High	1200	35.40	25.40	16.00	8.50	36.00	25.00	7.80	6.10	3.24	2.52
				Intermediate	800	21.80	13.10		15.40						
				Low	850	14.20	12.60		29.50	10.00					
HMH72B361S	TPLC080C16MP13C	21.0	XAHC36D	High	1200	35.40	25.40	16.00	8.50	36.00	25.00	7.80	6.10	3.24	2.52
				Intermediate	800	21.80	13.10		15.40						
				Low	850	14.20	12.60		29.50	10.00					

**Table 8: Furnace capacity - 3 ton - 36k**

Outdoor unit model	Furnace model	Furnace width (in.)	Indoor coil model	Stage	Rated CFM	Net cool (MBH)	Sens cool (MBH)	SEER2	EER2	Net47 (MBH)	Net17 (MBH)	HSPF2 IV	HSPF2 V	Cop47	Cop17
HMH72B361S	TPLC100C16MP13C	21.0	XAHC36D	High	1200	35.40	25.40	16.00	8.50	36.00	25.00	7.80	6.10	3.24	2.52
				Intermediate	800	21.80	13.10		15.40						
				Low	850	14.20	12.60		29.50						
HMH72B361S	YPLC080C16MP13C	21.0	XAHC36D	High	1200	35.40	25.40	16.00	8.50	36.00	25.00	7.80	6.10	3.24	2.52
				Intermediate	800	21.80	13.10		15.40						
				Low	850	14.20	12.60		29.50						
HMH72B361S	YPLC100C16MP13C	21.0	XAHC36D	High	1200	35.40	25.40	16.00	8.50	36.00	25.00	7.80	6.10	3.24	2.52
				Intermediate	800	21.80	13.10		15.40						
				Low	850	14.20	12.60		29.50						
HMH72B361S	TM8V080B12MP12C	21.0	XAFC36D	High	1100	35.20	24.60	17.00	8.50	36.00	25.60	7.80	6.40	3.18	2.50
				Intermediate	725	24.00	11.00		17.15						
				Low	725	14.10	11.70		29.25						
HMH72B361S	TPLC080B12MP13C	21.0	XAFC36D	High	1100	35.20	24.60	17.00	8.50	36.00	25.60	7.80	6.40	3.18	2.50
				Intermediate	725	24.00	11.00		17.15						
				Low	725	14.10	11.70		29.25						
HMH72B361S	YPLC080B12MP13C	21.0	XAFC36D	High	1100	35.20	24.60	17.00	8.50	36.00	25.60	7.80	6.40	3.18	2.50
				Intermediate	725	24.00	11.00		17.15						
				Low	725	14.10	11.70		29.25						
HMH72B361S	TM8V080B12MP12C	21.0	XAFC36D	High	1100	35.20	24.60	17.00	8.50	36.00	25.60	7.80	6.40	3.18	2.50
				Intermediate	725	24.00	11.00		17.15						
				Low	725	14.10	11.70		29.25						
HMH72B361S	TPLC080B12MP13C	21.0	XAFC36D	High	1100	35.20	24.60	17.00	8.50	36.00	25.60	7.80	6.40	3.18	2.50
				Intermediate	725	24.00	11.00		17.15						
				Low	725	14.10	11.70		29.25						
HMH72B361S	YPLC080B12MP13C	21.0	XAFC36D	High	1100	35.20	24.60	17.00	8.50	36.00	25.60	7.80	6.40	3.18	2.50
				Intermediate	725	24.00	11.00		17.15						
				Low	725	14.10	11.70		29.25						
HMH72B361S	TM8E100C16MP11	21.0	XAFC36D	High	1125	35.60	25.00	18.00	9.00	36.00	25.20	7.80	6.20	3.28	2.56
				Intermediate	750	24.40	11.50		17.85						
				Low	825	14.50	12.60		31.55						
HMH72B361S	TMLE100C16MP11	21.0	XAFC36D	High	1125	35.60	25.00	18.00	9.00	36.00	25.20	7.80	6.20	3.28	2.56
				Intermediate	750	24.40	11.50		17.85						
				Low	825	14.50	12.60		31.55						
HMH72B361S	TM8E100C16MP11	21.0	XAFC36D	High	1125	35.60	25.00	18.00	9.00	36.00	25.20	7.80	6.20	3.28	2.56
				Intermediate	750	24.40	11.50		17.85						
				Low	825	14.50	12.60		31.55						
HMH72B361S	TMLE100C16MP11	21.0	XAFC36D	High	1125	35.60	25.00	18.00	9.00	36.00	25.20	7.80	6.20	3.28	2.56
				Intermediate	750	24.40	11.50		17.85						
				Low	825	14.50	12.60		31.55						
HMH72B361S	TM8E080C16MP11	21.0	XAFC36D	High	1075	35.60	24.80	18.00	9.00	35.80	25.00	7.80	6.30	3.24	2.56
				Intermediate	750	24.00	10.80		17.50						
				Low	825	14.50	12.60		31.20						
HMH72B361S	TMLE080C16MP11	21.0	XAFC36D	High	1075	35.60	24.80	18.00	9.00	35.80	25.00	7.80	6.30	3.24	2.56
				Intermediate	750	24.00	10.80		17.50						
				Low	825	14.50	12.60		31.20						
HMH72B361S	TM8E080C16MP11	21.0	XAFC36D	High	1075	35.60	24.80	18.00	9.00	35.80	25.00	7.80	6.30	3.24	2.56
				Intermediate	750	24.00	10.80		17.50						
				Low	825	14.50	12.60		31.20						
HMH72B361S	TMLE080C16MP11	21.0	XAFC36D	High	1075	35.60	24.80	18.00	9.00	35.80	25.00	7.80	6.30	3.24	2.56
				Intermediate	750	24.00	10.80		17.50						
				Low	825	14.50	12.60		31.20						
HMH72B361S	TM8E060A12MP11	17.5	XAFB36D	High	1100	35.40	24.80	18.00	8.50	36.00	25.40	7.80	6.35	3.22	2.52
				Intermediate	725	24.20	11.10		17.60						
				Low	775	14.30	12.10		30.60						
HMH72B361S	TMLE060A12MP11	17.5	XAFB36D	High	1100	35.40	24.80	18.00	8.50	36.00	25.40	7.80	6.35	3.22	2.52
				Intermediate	725	24.20	11.10		17.60						
				Low	775	14.30	12.10		30.60						
HMH72B361S	TM8E060A12MP11	17.5	XAFB36D	High	1100	35.40	24.80	18.00	8.50	36.00	25.40	7.80	6.35	3.22	2.52
				Intermediate	725	24.20	11.10		17.60						
				Low	775	14.30	12.10		30.60						

**Table 8: Furnace capacity - 3 ton - 36k**

Outdoor unit model	Furnace model	Furnace width (in.)	Indoor coil model	Stage	Rated CFM	Net cool (MBH)	Sens cool (MBH)	SEER2	EER2	Net47 (MBH)	Net17 (MBH)	HSPF2 IV	HSPF2 V	Cop47	Cop17
HMH72B361S	TM8E060A12MP11	17.5	XAUB36D	High	1200	35.40	25.40	16.50	8.75	36.00	25.20	9.50	7.35	3.30	2.56
				Intermediate	775	21.80	12.80		15.90						
				Low	775	14.30	12.10		30.60	10.10					
HMH72B361S	TMLE060A12MP11	17.5	XAFB36D	High	1100	35.40	24.80	18.00	8.50	36.00	25.40	7.80	6.35	3.22	2.52
				Intermediate	725	24.20	11.10		17.60						
				Low	775	14.30	12.10		30.60	10.10					
HMH72B361S	TMLE060A12MP11	17.5	XAUB36D	High	1200	35.40	25.40	16.50	8.75	36.00	25.20	9.50	7.35	3.30	2.56
				Intermediate	775	21.80	12.80		15.90						
				Low	775	14.30	12.10		30.60	10.10					
HMH72B361S	TL8E080C16UH11	21.0	XAFB36D	High	1225	36.00	25.80	17.50	9.00	36.00	25.60	7.80	6.70	3.32	2.56
				Intermediate	875	24.80	12.70		17.50						
				Low	950	14.70	13.80		29.15	10.50					
HMH72B361S	TL8E080C16UH11	21.0	XAFB36D	High	1225	36.00	25.80	17.50	9.00	36.00	25.60	7.80	6.70	3.32	2.56
				Intermediate	875	24.80	12.70		17.50						
				Low	950	14.70	13.80		29.15	10.50					
HMH72B361S	TM9V040A10MP12C	17.5	XAHB36D	High	900	33.80	22.40	15.50	8.50	34.80	24.40	7.50	5.70	3.00	2.42
				Intermediate	575	20.60	10.30		14.65						
				Low	625	13.50	10.50		27.75	9.70					
HMH72B361S	TM9V040A10MP12C	17.5	XAHB36D	High	900	33.80	22.40	15.50	8.50	34.80	24.40	7.50	5.70	3.00	2.42
				Intermediate	575	20.60	10.30		14.65						
				Low	625	13.50	10.50		27.75	9.70					
HMH72B361S	TM9E060B12MP12	17.5	XAHB36D	High	1075	34.80	24.00	16.00	8.50	35.60	25.00	7.50	5.55	3.10	2.44
				Intermediate	700	21.40	12.00		15.10						
				Low	725	13.80	11.40		27.90	9.90					
HMH72B361S	TM9E060B12MP12	17.5	XAHB36D	High	1075	34.80	24.00	16.00	8.50	35.60	25.00	7.50	5.55	3.10	2.44
				Intermediate	700	21.40	12.00		15.10						
				Low	725	13.80	11.40		27.90	9.90					
HMH72B361S	TM8Y120C20MP11	21.0	XAHC36D	High	975	34.60	23.40	16.00	9.00	34.60	24.20	7.80	6.30	3.14	2.50
				Intermediate	850	22.00	13.70		15.20						
				Low	975	14.50	13.70		28.40	10.30					
HMH72B361S	TM8Y120C20MP11	21.0	XAHC36D	High	975	34.60	23.40	16.00	9.00	34.60	24.20	7.80	6.30	3.14	2.50
				Intermediate	850	22.00	13.70		15.20						
				Low	975	14.50	13.70		28.40	10.30					
HMH72B361S	TM8Y060A12MP11	17.5	XAHB36D	High	950	34.20	23.00	16.50	8.50	34.80	24.40	7.80	6.35	3.06	2.44
				Intermediate	625	21.00	10.90		15.30						
				Low	650	13.70	10.70		30.20	9.60					
HMH72B361S	TM8Y060A12MP11	17.5	XAHB36D	High	950	34.20	23.00	16.50	8.50	34.80	24.40	7.80	6.35	3.06	2.44
				Intermediate	625	21.00	10.90		15.30						
				Low	650	13.70	10.70		30.20	9.60					
HMH72B361S	TM8V080C16MP12C	21.0	XAFB36D	High	1200	36.00	25.80	17.50	9.00	36.00	25.40	7.80	6.60	3.32	2.58
				Intermediate	800	24.60	12.20		17.70						
				Low	850	14.50	12.80		30.55	10.20					
HMH72B361S	TM8V080C16MP12C	21.0	XAFB36D	High	1200	36.00	25.80	17.50	9.00	36.00	25.40	7.80	6.60	3.32	2.58
				Intermediate	800	24.60	12.20		17.70						
				Low	850	14.50	12.80		30.55	10.20					
HMH72B361S	TM8E120C16MP11	21.0	XAHC36D	High	1100	35.00	24.40	16.50	8.50	35.60	24.60	7.80	6.15	3.20	2.50
				Intermediate	750	21.60	12.40		15.65						
				Low	800	14.10	12.10		30.50	9.90					
HMH72B361S	TMLE120C16MP11	21.0	XAHC36D	High	1100	35.00	24.40	16.50	8.50	35.60	24.60	7.80	6.15	3.20	2.50
				Intermediate	750	21.60	12.40		15.65						
				Low	800	14.10	12.10		30.50	9.90					
HMH72B361S	TM8E120C16MP11	21.0	XAHC36D	High	1100	35.00	24.40	16.50	8.50	35.60	24.60	7.80	6.15	3.20	2.50
				Intermediate	750	21.60	12.40		15.65						
				Low	800	14.10	12.10		30.50	9.90					
HMH72B361S	TMLE120C16MP11	21.0	XAHC36D	High	1100	35.00	24.40	16.50	8.50	35.60	24.60	7.80	6.15	3.20	2.50
				Intermediate	750	21.60	12.40		15.65						
				Low	800	14.10	12.10		30.50	9.90					
HMH72B361S	TM8E100B12MP11	21.0	XAFB36D	High	1100	35.40	24.80	18.00	8.50	36.00	25.20	7.80	6.30	3.24	2.54
				Intermediate	700	24.20	11.10		17.85						
				Low	750	14.30	11.90		31.55	10.00					



**Table 8: Furnace capacity - 3 ton - 36k**

Outdoor unit model	Furnace model	Furnace width (in.)	Indoor coil model	Stage	Rated CFM	Net cool (MBH)	Sens cool (MBH)	SEER2	EER2	Net47 (MBH)	Net17 (MBH)	HSPF2 IV	HSPF2 V	Cop47	Cop17
HMH72B361S	TMLE100B12MP11	21.0	XAFC36D	High	1100	35.40	24.80	18.00	8.50	36.00	25.20	7.80	6.30	3.24	2.54
				Intermediate	700	24.20	11.10		17.85						
				Low	750	14.30	11.90		31.55						
HMH72B361S	TM8E100B12MP11	21.0	XAFC36D	High	1100	35.40	24.80	18.00	8.50	36.00	25.20	7.80	6.30	3.24	2.54
				Intermediate	700	24.20	11.10		17.85						
				Low	750	14.30	11.90		31.55						
HMH72B361S	TMLE100B12MP11	21.0	XAFC36D	High	1100	35.40	24.80	18.00	8.50	36.00	25.20	7.80	6.30	3.24	2.54
				Intermediate	700	24.20	11.10		17.85						
				Low	750	14.30	11.90		31.55						
HMH72B361S	TM8E080B12MP11	21.0	XAFC36D	High	1200	35.60	25.40	18.00	8.50	36.00	25.80	7.80	6.35	3.24	2.52
				Intermediate	725	24.80	12.30		18.25						
				Low	775	14.40	12.20		31.05						
HMH72B361S	TMLE080B12MP11	21.0	XAFC36D	High	1200	35.60	25.40	18.00	8.50	36.00	25.80	7.80	6.35	3.24	2.52
				Intermediate	725	24.80	12.30		18.25						
				Low	775	14.40	12.20		31.05						
HMH72B361S	TM8E080B12MP11	21.0	XAFC36D	High	1200	35.60	25.40	18.00	8.50	36.00	25.80	7.80	6.35	3.24	2.52
				Intermediate	725	24.80	12.30		18.25						
				Low	775	14.40	12.20		31.05						
HMH72B361S	TMLE080B12MP11	21.0	XAFC36D	High	1200	35.60	25.40	18.00	8.50	36.00	25.80	7.80	6.35	3.24	2.52
				Intermediate	725	24.80	12.30		18.25						
				Low	775	14.40	12.20		31.05						
HMH72B361S	TM8E040A12MP11	17.5	XAFB36D	High	1075	35.40	24.60	18.00	9.00	35.80	25.20	7.80	6.30	3.22	2.54
				Intermediate	650	24.20	10.90		17.95						
				Low	800	14.40	12.40		30.75						
HMH72B361S	TMLE040A12MP11	17.5	XAFB36D	High	1075	35.40	24.60	18.00	9.00	35.80	25.20	7.80	6.30	3.22	2.54
				Intermediate	650	24.20	10.90		17.95						
				Low	800	14.40	12.40		30.75						
HMH72B361S	TM8E040A12MP11	17.5	XAFB36D	High	1075	35.40	24.60	18.00	9.00	35.80	25.20	7.80	6.30	3.22	2.54
				Intermediate	650	24.20	10.90		17.95						
				Low	800	14.40	12.40		30.75						
HMH72B361S	TMLE040A12MP11	17.5	XAUB36D	High	1175	35.40	25.20	16.75	9.00	36.00	25.00	9.50	7.25	3.30	2.58
				Intermediate	800	22.00	13.10		16.05						
				Low	800	14.40	12.40		30.75						
HMH72B361S	TMLE040A12MP11	17.5	XAFB36D	High	1075	35.40	24.60	18.00	9.00	35.80	25.20	7.80	6.30	3.22	2.54
				Intermediate	650	24.20	10.90		17.95						
				Low	800	14.40	12.40		30.75						
HMH72B361S	TMLE040A12MP11	17.5	XAUB36D	High	1175	35.40	25.20	16.75	9.00	36.00	25.00	9.50	7.25	3.30	2.58
				Intermediate	800	22.00	13.10		16.05						
				Low	800	14.40	12.40		30.75						
HMH72B361S	TL8E060A12UH11	14.5	XAFA30D	High	1150	35.00	24.80	16.50	8.75	36.00	25.20	9.50	7.10	3.24	2.54
				Intermediate	650	21.20	11.30		15.75						
				Low	650	14.00	11.00		31.20						
HMH72B361S	TM9E080C16MP12	21.0	XAHC36D	High	1100	35.00	24.40	16.50	8.50	35.60	24.80	7.80	6.10	3.18	2.50
				Intermediate	700	21.40	11.90		15.55						
				Low	750	14.00	11.70		30.55						
HMH72B361S	TM9E080C16MP12	21.0	XAHC36D	High	1100	35.00	24.40	16.50	8.50	35.60	24.80	7.80	6.10	3.18	2.50
				Intermediate	700	21.40	11.90		15.55						
				Low	750	14.00	11.70		30.55						
HMH72B361S	TM9E060B12MP12	21.0	XAHC36D	High	1125	34.80	24.40	16.00	8.50	36.00	25.20	7.50	5.55	3.12	2.46
				Intermediate	700	21.40	11.90		15.15						
				Low	750	13.90	11.70		28.40						
HMH72B361S	TM9E060B12MP12	21.0	XAHC36D	High	1125	34.80	24.40	16.00	8.50	36.00	25.20	7.50	5.55	3.12	2.46
				Intermediate	700	21.40	11.90		15.15						
				Low	750	13.90	11.70		28.40						
HMH72B361S	TM9E060A10MP12	14.5	XAFA30D	High	975	34.20	23.20	16.00	8.75	35.40	24.60	9.50	7.20	3.14	2.50
				Intermediate	675	21.20	11.60		15.30						
				Low	675	14.00	11.30		28.80						
HMH72B361S	TM8Y080B12MP11	17.5	XAFB36D	High	1025	35.20	24.20	18.00	9.00	35.60	25.00	7.80	6.40	3.18	2.52
				Intermediate	650	23.80	10.20		17.60						
				Low	700	14.20	11.50		31.60						

**Table 8: Furnace capacity - 3 ton - 36k**

Outdoor unit model	Furnace model	Furnace width (in.)	Indoor coil model	Stage	Rated CFM	Net cool (MBH)	Sens cool (MBH)	SEER2	EER2	Net47 (MBH)	Net17 (MBH)	HSPF2 IV	HSPF2 V	Cop47	Cop17
HMH72B361S	TM8Y080B12MP11	17.5	XAFB36D	High	1025	35.20	24.20	18.00	9.00	35.60	25.00	7.80	6.40	3.18	2.52
				Intermediate	650	23.80	10.20		17.60						
				Low	700	14.20	11.50		31.60						
HMH72B361S	TM8Y080B12MP11	17.5	XAUB36D	High	1150	35.20	25.00	16.75	9.00	36.00	25.00	9.50	7.25	3.28	2.56
				Intermediate	700	21.60	12.00		15.90						
				Low	700	14.20	11.50		31.60						
HMH72B361S	TM8E100B12MP11	17.5	XAHB36D	High	1075	34.80	24.20	16.50	8.50	35.40	24.80	7.80	6.20	3.14	2.48
				Intermediate	650	21.20	11.30		15.30						
				Low	725	13.90	11.40		30.20						
HMH72B361S	TMLE100B12MP11	17.5	XAHB36D	High	1075	34.80	24.20	16.50	8.50	35.40	24.80	7.80	6.20	3.14	2.48
				Intermediate	650	21.20	11.30		15.30						
				Low	725	13.90	11.40		30.20						
HMH72B361S	TM8E100B12MP11	17.5	XAHB36D	High	1075	34.80	24.20	16.50	8.50	35.40	24.80	7.80	6.20	3.14	2.48
				Intermediate	650	21.20	11.30		15.30						
				Low	725	13.90	11.40		30.20						
HMH72B361S	TMLE100B12MP11	17.5	XAHB36D	High	1075	34.80	24.20	16.50	8.50	35.40	24.80	7.80	6.20	3.14	2.48
				Intermediate	650	21.20	11.30		15.30						
				Low	725	13.90	11.40		30.20						
HMH72B361S	TM8E080B12MP11	17.5	XAHB36D	High	1075	34.60	24.00	16.00	8.50	35.60	24.80	7.80	6.35	3.12	2.46
				Intermediate	675	21.20	11.50		15.30						
				Low	725	13.90	11.40		29.65						
HMH72B361S	TMLE080B12MP11	17.5	XAHB36D	High	1075	34.60	24.00	16.00	8.50	35.60	24.80	7.80	6.35	3.12	2.46
				Intermediate	675	21.20	11.50		15.30						
				Low	725	13.90	11.40		29.65						
HMH72B361S	TM8E080B12MP11	17.5	XAHB36D	High	1075	34.60	24.00	16.00	8.50	35.60	24.80	7.80	6.35	3.12	2.46
				Intermediate	675	21.20	11.50		15.30						
				Low	725	13.90	11.40		29.65						
HMH72B361S	TMLE080B12MP11	17.5	XAHB36D	High	1075	34.60	24.00	16.00	8.50	35.60	24.80	7.80	6.35	3.12	2.46
				Intermediate	675	21.20	11.50		15.30						
				Low	725	13.90	11.40		29.65						
HMH72B361S	TL9E060B12UH11	17.5	XAHB36D	High	975	33.60	22.80	16.00	8.50	34.60	24.00	9.50	7.30	3.10	2.46
				Intermediate	650	20.80	11.00		15.25						
				Low	650	13.70	10.80		29.60						
HMH72B361S	TL9E060B12UH11	17.5	XAHB36D	High	975	33.60	22.80	16.00	8.50	34.60	24.00	9.50	7.30	3.10	2.46
				Intermediate	650	20.80	11.00		15.25						
				Low	650	13.70	10.80		29.60						
HMH72B361S	TL8E060A12UH11	17.5	XAFB36D	High	1100	35.40	24.80	18.00	8.50	36.00	25.40	7.80	6.40	3.22	2.52
				Intermediate	650	24.20	11.00		18.15						
				Low	700	14.20	11.50		31.75						
HMH72B361S	TL8E060A12UH11	17.5	XAFB36D	High	1100	35.40	24.80	18.00	8.50	36.00	25.40	7.80	6.40	3.22	2.52
				Intermediate	650	24.20	11.00		18.15						
				Low	700	14.20	11.50		31.75						
HMH72B361S	TL8E060A12UH11	17.5	XAUB36D	High	1175	35.20	25.00	16.75	8.75	36.00	25.00	9.50	7.25	3.28	2.56
				Intermediate	700	21.60	12.00		15.95						
				Low	700	14.20	11.50		31.75						
HMH72B361S	TM9Y060B12MP11	17.5	XAHB36D	High	1025	34.40	23.60	16.00	8.50	35.40	25.00	7.50	5.55	3.06	2.42
				Intermediate	650	21.20	11.40		15.20						
				Low	675	13.70	11.00		29.00						
HMH72B361S	TM9Y060B12MP11	17.5	XAHB36D	High	1025	34.40	23.60	16.00	8.50	35.40	25.00	7.50	5.55	3.06	2.42
				Intermediate	650	21.20	11.40		15.20						
				Low	675	13.70	11.00		29.00						
HMH72B361S	TM9V040A10MP12C	17.5	XAFB36D	High	900	34.40	22.80	17.00	8.50	35.20	24.80	7.80	6.25	3.08	2.46
				Intermediate	575	23.00	8.70		16.60						
				Low	625	13.90	10.80		28.90						
HMH72B361S	TM9V040A10MP12C	17.5	XAFB36D	High	900	34.40	22.80	17.00	8.50	35.20	24.80	7.80	6.25	3.08	2.46
				Intermediate	575	23.00	8.70		16.60						
				Low	625	13.90	10.80		28.90						
HMH72B361S	TM9V040A10MP12C	17.5	XAUB36D	High	950	34.00	22.80	16.00	8.75	35.20	24.60	9.50	7.20	3.12	2.50
				Intermediate	625	21.00	11.00		15.20						
				Low	625	13.90	10.80		28.90						

**Table 8: Furnace capacity - 3 ton - 36k**

Outdoor unit model	Furnace model	Furnace width (in.)	Indoor coil model	Stage	Rated CFM	Net cool (MBH)	Sens cool (MBH)	SEER2	EER2	Net47 (MBH)	Net17 (MBH)	HSPF2 IV	HSPF2 V	Cop47	Cop17
HMH72B361S	TM9E080B12MP12	21.0	XAHC36D	High	1200	35.20	25.20	16.00	8.50	36.00	25.40	7.80	6.35	3.18	2.48
				Intermediate	750	21.60	12.50		15.35						
				Low	800	14.10	12.20		28.80						
HMH72B361S	TM9E080B12MP12	21.0	XAHC36D	High	1200	35.20	25.20	16.00	8.50	36.00	25.40	7.80	6.35	3.18	2.48
				Intermediate	750	21.60	12.50		15.35						
				Low	800	14.10	12.20		28.80						
HMH72B361S	TM9E060B12MP12	21.0	XAFC36D	High	1125	35.40	24.80	17.50	8.50	36.00	25.60	7.80	6.40	3.18	2.50
				Intermediate	725	24.20	11.30		17.50						
				Low	750	14.20	11.90		29.05						
HMH72B361S	TM9E060B12MP12	21.0	XAFC36D	High	1125	35.40	24.80	17.50	8.50	36.00	25.60	7.80	6.40	3.18	2.50
				Intermediate	725	24.20	11.30		17.50						
				Low	750	14.20	11.90		29.05						
HMH72B361S	TM8E040A12MP11	14.5	XAFA30D	High	1125	35.00	24.60	16.50	8.75	36.00	25.00	9.50	7.10	3.24	2.54
				Intermediate	750	21.80	12.60		15.75						
				Low	750	14.30	12.00		30.05						
HMH72B361S	TMLE040A12MP11	14.5	XAFA30D	High	1125	35.00	24.60	16.50	8.75	36.00	25.00	9.50	7.10	3.24	2.54
				Intermediate	750	21.80	12.60		15.75						
				Low	750	14.30	12.00		30.05						
HMH72B361S	TM9E060A10MP12	17.5	XAFB36D	High	1025	34.80	23.80	17.50	8.50	35.80	25.20	7.80	6.40	3.14	2.48
				Intermediate	675	23.80	10.30		17.15						
				Low	725	14.20	11.70		29.50						
HMH72B361S	TM9E060A10MP12	17.5	XAFB36D	High	1025	34.80	23.80	17.50	8.50	35.80	25.20	7.80	6.40	3.14	2.48
				Intermediate	675	23.80	10.30		17.15						
				Low	725	14.20	11.70		29.50						
HMH72B361S	TM9E060A10MP12	17.5	XAUB36D	High	1125	34.80	24.40	16.25	8.75	36.00	25.20	9.50	7.05	3.22	2.52
				Intermediate	725	21.60	12.30		15.60						
				Low	725	14.20	11.70		29.50						
HMH72B361S	TM8V100C16MP12C	21.0	XAFC36D	High	1150	35.80	25.20	17.50	9.00	36.00	25.20	7.80	6.20	3.30	2.58
				Intermediate	775	24.40	11.70		17.60						
				Low	850	14.50	12.80		30.55						
HMH72B361S	TMLV100C16MP12C	21.0	XAFC36D	High	1150	35.80	25.20	17.50	9.00	36.00	25.20	7.80	6.20	3.30	2.58
				Intermediate	775	24.40	11.70		17.60						
				Low	850	14.50	12.80		30.55						
HMH72B361S	TPLC080C16MP13C	21.0	XAFC36D	High	1150	35.80	25.20	17.50	9.00	36.00	25.20	7.80	6.20	3.30	2.58
				Intermediate	775	24.40	11.70		17.60						
				Low	850	14.50	12.80		30.55						
HMH72B361S	TPLC100C16MP13C	21.0	XAFC36D	High	1150	35.80	25.20	17.50	9.00	36.00	25.20	7.80	6.20	3.30	2.58
				Intermediate	775	24.40	11.70		17.60						
				Low	850	14.50	12.80		30.55						
HMH72B361S	YPLC080C16MP13C	21.0	XAFC36D	High	1150	35.80	25.20	17.50	9.00	36.00	25.20	7.80	6.20	3.30	2.58
				Intermediate	775	24.40	11.70		17.60						
				Low	850	14.50	12.80		30.55						
HMH72B361S	YPLC100C16MP13C	21.0	XAFC36D	High	1150	35.80	25.20	17.50	9.00	36.00	25.20	7.80	6.20	3.30	2.58
				Intermediate	775	24.40	11.70		17.60						
				Low	850	14.50	12.80		30.55						
HMH72B361S	TM8V100C16MP12C	21.0	XAFC36D	High	1150	35.80	25.20	17.50	9.00	36.00	25.20	7.80	6.20	3.30	2.58
				Intermediate	775	24.40	11.70		17.60						
				Low	850	14.50	12.80		30.55						
HMH72B361S	TMLV100C16MP12C	21.0	XAFC36D	High	1150	35.80	25.20	17.50	9.00	36.00	25.20	7.80	6.20	3.30	2.58
				Intermediate	775	24.40	11.70		17.60						
				Low	850	14.50	12.80		30.55						
HMH72B361S	TPLC080C16MP13C	21.0	XAFC36D	High	1150	35.80	25.20	17.50	9.00	36.00	25.20	7.80	6.20	3.30	2.58
				Intermediate	775	24.40	11.70		17.60						
				Low	850	14.50	12.80		30.55						
HMH72B361S	TPLC100C16MP13C	21.0	XAFC36D	High	1150	35.80	25.20	17.50	9.00	36.00	25.20	7.80	6.20	3.30	2.58
				Intermediate	775	24.40	11.70		17.60						
				Low	850	14.50	12.80		30.55						
HMH72B361S	YPLC080C16MP13C	21.0	XAFC36D	High	1150	35.80	25.20	17.50	9.00	36.00	25.20	7.80	6.20	3.30	2.58
				Intermediate	775	24.40	11.70		17.60						
				Low	850	14.50	12.80		30.55						

**Table 8: Furnace capacity - 3 ton - 36k**

Outdoor unit model	Furnace model	Furnace width (in.)	Indoor coil model	Stage	Rated CFM	Net cool (MBH)	Sens cool (MBH)	SEER2	EER2	Net47 (MBH)	Net17 (MBH)	HSPF2 IV	HSPF2 V	Cop47	Cop17
HMH72B361S	YPLC100C16MP13C	21.0	XAFC36D	High	1150	35.80	25.20	17.50	9.00	36.00	25.20	7.80	6.20	3.30	2.58
				Intermediate	775	24.40	11.70		17.60						
				Low	850	14.50	12.80		30.55	10.20	4.64				
HMH72B361S	TM8V080B12MP12C	17.5	XAFB36D	High	1000	34.80	23.60	17.00	8.50	35.60	25.20	7.80	6.45	3.14	2.50
				Intermediate	675	23.60	10.00		16.80						
				Low	725	14.10	11.70		29.05	10.00	4.44				
HMH72B361S	TPLC080B12MP13C	17.5	XAFB36D	High	1000	34.80	23.60	17.00	8.50	35.60	25.20	7.80	6.45	3.14	2.50
				Intermediate	675	23.60	10.00		16.80						
				Low	725	14.10	11.70		29.05	10.00	4.44				
HMH72B361S	YPLC080B12MP13C	17.5	XAFB36D	High	1000	34.80	23.60	17.00	8.50	35.60	25.20	7.80	6.45	3.14	2.50
				Intermediate	675	23.60	10.00		16.80						
				Low	725	14.10	11.70		29.05	10.00	4.44				
HMH72B361S	TM8V080B12MP12C	17.5	XAFB36D	High	1000	34.80	23.60	17.00	8.50	35.60	25.20	7.80	6.45	3.14	2.50
				Intermediate	675	23.60	10.00		16.80						
				Low	725	14.10	11.70		29.05	10.00	4.44				
HMH72B361S	TM8V080B12MP12C	17.5	XAUB36D	High	1125	34.80	24.40	16.00	8.75	36.00	25.00	9.50	6.95	3.22	2.54
				Intermediate	725	21.60	12.30		15.50						
				Low	725	14.10	11.70		29.05	10.00	4.44				
HMH72B361S	TPLC080B12MP13C	17.5	XAFB36D	High	1000	34.80	23.60	17.00	8.50	35.60	25.20	7.80	6.45	3.14	2.50
				Intermediate	675	23.60	10.00		16.80						
				Low	725	14.10	11.70		29.05	10.00	4.44				
HMH72B361S	TPLC080B12MP13C	17.5	XAUB36D	High	1125	34.80	24.40	16.00	8.75	36.00	25.00	9.50	6.95	3.22	2.54
				Intermediate	725	21.60	12.30		15.50						
				Low	725	14.10	11.70		29.05	10.00	4.44				
HMH72B361S	YPLC080B12MP13C	17.5	XAFB36D	High	1000	34.80	23.60	17.00	8.50	35.60	25.20	7.80	6.45	3.14	2.50
				Intermediate	675	23.60	10.00		16.80						
				Low	725	14.10	11.70		29.05	10.00	4.44				
HMH72B361S	YPLC080B12MP13C	17.5	XAUB36D	High	1125	34.80	24.40	16.00	8.75	36.00	25.00	9.50	6.95	3.22	2.54
				Intermediate	725	21.60	12.30		15.50						
				Low	725	14.10	11.70		29.05	10.00	4.44				
HMH72B361S	YPLC080B12MP13C	17.5	XAFB36D	High	1000	34.80	23.60	17.00	8.50	35.60	25.20	7.80	6.45	3.14	2.50
				Intermediate	675	23.60	10.00		16.80						
				Low	725	14.10	11.70		29.05	10.00	4.44				
HMH72B361S	YPLC080B12MP13C	17.5	XAUB36D	High	1125	34.80	24.40	16.00	8.75	36.00	25.00	9.50	6.95	3.22	2.54
				Intermediate	725	21.60	12.30		15.50						
				Low	725	14.10	11.70		29.05	10.00	4.44				
HMH72B361S	TM8E060A12MP11	14.5	XAFA30D	High	1150	35.00	24.80	16.50	8.75	36.00	25.20	9.50	6.95	3.24	2.54
				Intermediate	750	21.80	12.60		15.75						
				Low	750	14.20	11.90		29.95	10.00	4.44				
HMH72B361S	TMLE060A12MP11	14.5	XAFA30D	High	1150	35.00	24.80	16.50	8.75	36.00	25.20	9.50	6.95	3.24	2.54
				Intermediate	750	21.80	12.60		15.75						
				Low	750	14.20	11.90		29.95	10.00	4.44				
HMH72B361S	TL8E060A12UH11	17.5	XAHB36D	High	1050	34.80	24.00	16.50	8.50	35.40	24.80	7.80	6.35	3.10	2.46
				Intermediate	600	21.00	10.70		15.35						
				Low	650	13.80	10.80		30.55	9.60	4.34				
HMH72B361S	TL8E060A12UH11	17.5	XAHB36D	High	1050	34.80	24.00	16.50	8.50	35.40	24.80	7.80	6.35	3.10	2.46
				Intermediate	600	21.00	10.70		15.35						
				Low	650	13.80	10.80		30.55	9.60	4.34				
HMH72B361S	TM9V040A10MP12C	14.5	XAFA30D	High	900	33.80	22.40	15.75	8.75	35.00	24.40	9.50	7.35	3.10	2.48
				Intermediate	575	20.80	10.50		15.10						
				Low	575	13.70	10.30		28.90	9.70	4.30				
HMH72B361S	TM9E080B12MP12	17.5	XAHB36D	High	1075	34.60	24.00	16.00	8.50	35.60	25.00	7.80	6.35	3.12	2.46
				Intermediate	725	21.40	12.10		15.15						
				Low	775	14.00	11.90		28.35	10.00	4.32				
HMH72B361S	TM9E080B12MP12	17.5	XAHB36D	High	1075	34.60	24.00	16.00	8.50	35.60	25.00	7.80	6.35	3.12	2.46
				Intermediate	725	21.40	12.10		15.15						
				Low	775	14.00	11.90		28.35	10.00	4.32				
HMH72B361S	TM9E060B12MP12	17.5	XAFB36D	High	1125	35.40	24.80	17.50	8.50	36.00	25.60	7.80	6.40	3.18	2.50
				Intermediate	725	24.20	11.30		17.50						
				Low	750	14.20	11.90		29.00	10.10	4.38				
HMH72B361S	TM9E060B12MP12	17.5	XAFB36D	High	1125	35.40	24.80	17.50	8.50	36.00	25.60	7.80	6.40	3.18	2.50
				Intermediate	725	24.20	11.30		17.50						
				Low	750	14.20	11.90		29.00	10.10	4.38				
HMH72B361S	TM9E060B12MP12	17.5	XAUB36D	High	1050	34.60	24.00	16.25	8.75	35.60	24.80	9.50	6.95	3.20	2.52
				Intermediate	750	21.60	12.50		15.50						
				Low	750	14.20	11.90		29.00	10.10	4.38				

**Table 8: Furnace capacity - 3 ton - 36k**

Outdoor unit model	Furnace model	Furnace width (in.)	Indoor coil model	Stage	Rated CFM	Net cool (MBH)	Sens cool (MBH)	SEER2	EER2	Net47 (MBH)	Net17 (MBH)	HSPF2 IV	HSPF2 V	Cop47	Cop17
HMH72B361S	TM8Y060A12MP11	14.5	XAFA30D	High	1050	34.60	24.00	16.25	8.75	35.60	24.80	9.50	7.25	3.18	2.52
				Intermediate	650	21.20	11.30		15.60						
				Low	650	14.00	11.00		30.65						
HMH72B361S	TL8E080C16UH11	21.0	XAHC36D	High	1200	35.40	25.40	16.00	8.50	36.00	25.20	7.80	6.25	3.22	2.50
				Intermediate	875	22.20	14.00		15.50						
				Low	925	14.40	13.30		28.20						
HMH72B361S	TL8E080C16UH11	21.0	XAHC36D	High	1200	35.40	25.40	16.00	8.50	36.00	25.20	7.80	6.25	3.22	2.50
				Intermediate	875	22.20	14.00		15.50						
				Low	925	14.40	13.30		28.20						
HMH72B361S	TM8V060A12MP12C	17.5	XAFB36D	High	1275	35.60	26.00	16.25	8.75	36.00	25.40	9.50	7.10	3.34	2.58
				Intermediate	850	22.20	13.80		15.80						
				Low	725	14.40	12.00		29.15						
HMH72B361S	TMLV060A12MP12C	17.5	XAFB36D	High	1275	35.60	26.00	16.25	8.75	36.00	25.40	9.50	7.10	3.34	2.58
				Intermediate	850	22.20	13.80		15.80						
				Low	725	14.40	12.00		29.15						
HMH72B361S	TPLC060A12MP13C	17.5	XAFB36D	High	1275	35.60	26.00	16.25	8.75	36.00	25.40	9.50	7.10	3.34	2.58
				Intermediate	850	22.20	13.80		15.80						
				Low	725	14.40	12.00		29.15						
HMH72B361S	YPLC060A12MP13C	17.5	XAFB36D	High	1275	35.60	26.00	16.25	8.75	36.00	25.40	9.50	7.10	3.34	2.58
				Intermediate	850	22.20	13.80		15.80						
				Low	725	14.40	12.00		29.15						
HMH72B361S	TM8V060A12MP12C	17.5	XAFB36D	High	1275	35.60	26.00	16.25	8.75	36.00	25.40	9.50	7.10	3.34	2.58
				Intermediate	850	22.20	13.80		15.80						
				Low	725	14.40	12.00		29.15						
HMH72B361S	TM8V060A12MP12C	17.5	XAUB36D	High	1075	35.40	24.60	17.50	8.50	35.80	25.20	7.80	6.30	3.22	2.54
				Intermediate	725	24.00	10.80		17.30						
				Low	725	14.40	12.00		29.15						
HMH72B361S	TMLV060A12MP12C	17.5	XAFB36D	High	1275	35.60	26.00	16.25	8.75	36.00	25.40	9.50	7.10	3.34	2.58
				Intermediate	850	22.20	13.80		15.80						
				Low	725	14.40	12.00		29.15						
HMH72B361S	TMLV060A12MP12C	17.5	XAUB36D	High	1075	35.40	24.60	17.50	8.50	35.80	25.20	7.80	6.30	3.22	2.54
				Intermediate	725	24.00	10.80		17.30						
				Low	725	14.40	12.00		29.15						
HMH72B361S	TPLC060A12MP13C	17.5	XAFB36D	High	1275	35.60	26.00	16.25	8.75	36.00	25.40	9.50	7.10	3.34	2.58
				Intermediate	850	22.20	13.80		15.80						
				Low	725	14.40	12.00		29.15						
HMH72B361S	TPLC060A12MP13C	17.5	XAUB36D	High	1075	35.40	24.60	17.50	8.50	35.80	25.20	7.80	6.30	3.22	2.54
				Intermediate	725	24.00	10.80		17.30						
				Low	725	14.40	12.00		29.15						
HMH72B361S	YPLC060A12MP13C	17.5	XAFB36D	High	1275	35.60	26.00	16.25	8.75	36.00	25.40	9.50	7.10	3.34	2.58
				Intermediate	850	22.20	13.80		15.80						
				Low	725	14.40	12.00		29.15						
HMH72B361S	YPLC060A12MP13C	17.5	XAUB36D	High	1075	35.40	24.60	17.50	8.50	35.80	25.20	7.80	6.30	3.22	2.54
				Intermediate	725	24.00	10.80		17.30						
				Low	725	14.40	12.00		29.15						
HMH72B361S	TM8V080C16MP12C	21.0	XAHC36D	High	1200	35.40	25.40	16.00	8.50	36.00	25.00	7.80	6.10	3.24	2.52
				Intermediate	800	21.80	13.10		15.40						
				Low	850	14.20	12.60		29.50						
HMH72B361S	TM8V080C16MP12C	21.0	XAHC36D	High	1200	35.40	25.40	16.00	8.50	36.00	25.00	7.80	6.10	3.24	2.52
				Intermediate	800	21.80	13.10		15.40						
				Low	850	14.20	12.60		29.50						
HMH72B361S	TM8Y100C20MP11	21.0	XAHC36D	High	975	34.60	23.40	16.00	9.00	34.60	24.20	7.80	6.30	3.14	2.50
				Intermediate	850	22.00	13.70		15.20						
				Low	975	14.50	13.70		28.40						
HMH72B361S	TM8Y100C20MP11	21.0	XAHC36D	High	975	34.60	23.40	16.00	9.00	34.60	24.20	7.80	6.30	3.14	2.50
				Intermediate	850	22.00	13.70		15.20						
				Low	975	14.50	13.70		28.40						
HMH72B361S	TM9Y100C16MP11	21.0	XAHC36D	High	1200	34.80	25.00	16.25	8.75	35.40	24.60	10.00	8.35	3.26	2.54
				Intermediate	625	20.80	10.80		15.60						
				Low	625	13.80	10.60		32.15						

**Table 8: Furnace capacity - 3 ton - 36k**

Outdoor unit model	Furnace model	Furnace width (in.)	Indoor coil model	Stage	Rated CFM	Net cool (MBH)	Sens cool (MBH)	SEER2	EER2	Net47 (MBH)	Net17 (MBH)	HSPF2 IV	HSPF2 V	Cop47	Cop17
HMH72B361S	TM9Y100C16MP11	21.0	XAHC36D	High	1200	34.80	25.00	16.25	8.75	35.40	24.60	10.00	8.35	3.26	2.54
				Intermediate	625	20.80	10.80		15.60						
				Low	625	13.80	10.60		32.15						
HMH72B361S	TM9Y060B12MP11	17.5	XAFB36D	High	1100	34.80	24.40	16.25	8.75	36.00	25.00	10.00	8.35	3.22	2.54
				Intermediate	700	21.40	11.90		15.65						
				Low	700	14.10	11.50		30.20						
HMH72B361S	TM9Y060B12MP11	17.5	XAFB36D	High	1100	34.80	24.40	16.25	8.75	36.00	25.00	10.00	8.35	3.22	2.54
				Intermediate	700	21.40	11.90		15.65						
				Low	700	14.10	11.50		30.20						
HMH72B361S	TM9Y060B12MP11	17.5	XAUB36D	High	1100	34.80	24.40	16.25	8.75	36.00	25.00	10.00	8.35	3.22	2.54
				Intermediate	700	21.40	11.90		15.65						
				Low	700	14.10	11.50		30.20						
HMH72B361S	TM9V080B12MP12C	21.0	XAFC36D	High	1175	35.20	25.00	16.50	8.75	36.00	25.00	10.00	8.15	3.30	2.58
				Intermediate	775	21.80	12.80		15.80						
				Low	775	14.30	12.20		30.00						
HMH72B361S	TP9C080B12MP13C	21.0	XAFC36D	High	1175	35.20	25.00	16.50	8.75	36.00	25.00	10.00	8.15	3.30	2.58
				Intermediate	775	21.80	12.80		15.80						
				Low	775	14.30	12.20		30.00						
HMH72B361S	YP9C080B12MP13C	21.0	XAFC36D	High	1175	35.20	25.00	16.50	8.75	36.00	25.00	10.00	8.15	3.30	2.58
				Intermediate	775	21.80	12.80		15.80						
				Low	775	14.30	12.20		30.00						
HMH72B361S	TM9V080B12MP12C	21.0	XAFC36D	High	1175	35.20	25.00	16.50	8.75	36.00	25.00	10.00	8.15	3.30	2.58
				Intermediate	775	21.80	12.80		15.80						
				Low	775	14.30	12.20		30.00						
HMH72B361S	TP9C080B12MP13C	21.0	XAFC36D	High	1175	35.20	25.00	16.50	8.75	36.00	25.00	10.00	8.15	3.30	2.58
				Intermediate	775	21.80	12.80		15.80						
				Low	775	14.30	12.20		30.00						
HMH72B361S	YP9C080B12MP13C	21.0	XAFC36D	High	1175	35.20	25.00	16.50	8.75	36.00	25.00	10.00	8.15	3.30	2.58
				Intermediate	775	21.80	12.80		15.80						
				Low	775	14.30	12.20		30.00						
HMH72B361S	TM9E080C16MP12	21.0	XAFC36D	High	1225	35.60	25.60	17.00	9.00	36.00	25.00	10.00	8.25	3.34	2.60
				Intermediate	775	22.00	12.90		16.10						
				Low	775	14.40	12.20		31.50						
HMH72B361S	TM9E080C16MP12	21.0	XAFC36D	High	1225	35.60	25.60	17.00	9.00	36.00	25.00	10.00	8.25	3.34	2.60
				Intermediate	775	22.00	12.90		16.10						
				Low	775	14.40	12.20		31.50						
HMH72B361S	TM9Y080C16MP11	21.0	XAFC36D	High	1225	35.60	25.60	16.50	9.00	36.00	25.00	10.00	8.15	3.34	2.60
				Intermediate	650	21.20	11.30		15.80						
				Low	650	14.10	11.10		31.65						
HMH72B361S	TM9Y080C16MP11	21.0	XAFC36D	High	1225	35.60	25.60	16.50	9.00	36.00	25.00	10.00	8.15	3.34	2.60
				Intermediate	650	21.20	11.30		15.80						
				Low	650	14.10	11.10		31.65						
HMH72B361S	TM9V100C20MP12C	21.0	XAFC36D	High	1300	36.00	26.40	17.00	9.00	36.00	25.20	10.00	8.50	3.42	2.64
				Intermediate	800	22.00	13.10		16.10						
				Low	800	14.40	12.40		31.25						
HMH72B361S	TP9C100C20MP13C	21.0	XAFC36D	High	1300	36.00	26.40	17.00	9.00	36.00	25.20	10.00	8.50	3.42	2.64
				Intermediate	800	22.00	13.10		16.10						
				Low	800	14.40	12.40		31.25						
HMH72B361S	YP9C100C20MP13C	21.0	XAFC36D	High	1300	36.00	26.40	17.00	9.00	36.00	25.20	10.00	8.50	3.42	2.64
				Intermediate	800	22.00	13.10		16.10						
				Low	800	14.40	12.40		31.25						
HMH72B361S	TM9V100C20MP12C	21.0	XAFC36D	High	1300	36.00	26.40	17.00	9.00	36.00	25.20	10.00	8.50	3.42	2.64
				Intermediate	800	22.00	13.10		16.10						
				Low	800	14.40	12.40		31.25						
HMH72B361S	TP9C100C20MP13C	21.0	XAFC36D	High	1300	36.00	26.40	17.00	9.00	36.00	25.20	10.00	8.50	3.42	2.64
				Intermediate	800	22.00	13.10		16.10						
				Low	800	14.40	12.40		31.25						
HMH72B361S	YP9C100C20MP13C	21.0	XAFC36D	High	1300	36.00	26.40	17.00	9.00	36.00	25.20	10.00	8.50	3.42	2.64
				Intermediate	800	22.00	13.10		16.10						
				Low	800	14.40	12.40		31.25						

**Table 8: Furnace capacity - 3 ton - 36k**

Outdoor unit model	Furnace model	Furnace width (in.)	Indoor coil model	Stage	Rated CFM	Net cool (MBH)	Sens cool (MBH)	SEER2	EER2	Net47 (MBH)	Net17 (MBH)	HSPF2 IV	HSPF2 V	Cop47	Cop17
HMH72B361S	TM9V060B12MP12C	21.0	XAFC36D	High	1100	34.80	24.40	16.25	8.75	35.80	24.80	10.00	8.30	3.24	2.54
				Intermediate	700	21.40	11.90		15.60						
				Low	700	14.10	11.50		30.05						
HMH72B361S	TP9C060B12MP13C	21.0	XAFC36D	High	1100	34.80	24.40	16.25	8.75	35.80	24.80	10.00	8.30	3.24	2.54
				Intermediate	700	21.40	11.90		15.60						
				Low	700	14.10	11.50		30.05						
HMH72B361S	YP9C060B12MP13C	21.0	XAFC36D	High	1100	34.80	24.40	16.25	8.75	35.80	24.80	10.00	8.30	3.24	2.54
				Intermediate	700	21.40	11.90		15.60						
				Low	700	14.10	11.50		30.05						
HMH72B361S	TM9V060B12MP12C	21.0	XAFC36D	High	1100	34.80	24.40	16.25	8.75	35.80	24.80	10.00	8.30	3.24	2.54
				Intermediate	700	21.40	11.90		15.60						
				Low	700	14.10	11.50		30.05						
HMH72B361S	TP9C060B12MP13C	21.0	XAFC36D	High	1100	34.80	24.40	16.25	8.75	35.80	24.80	10.00	8.30	3.24	2.54
				Intermediate	700	21.40	11.90		15.60						
				Low	700	14.10	11.50		30.05						
HMH72B361S	YP9C060B12MP13C	21.0	XAFC36D	High	1100	34.80	24.40	16.25	8.75	35.80	24.80	10.00	8.30	3.24	2.54
				Intermediate	700	21.40	11.90		15.60						
				Low	700	14.10	11.50		30.05						
HMH72B361S	TM9E080B12MP12	17.5	XAFB36D	High	1200	35.40	25.40	16.50	8.75	36.00	25.20	10.00	8.25	3.30	2.56
				Intermediate	825	22.00	13.40		15.85						
				Low	825	14.40	12.60		29.65						
HMH72B361S	TM9E080B12MP12	17.5	XAFB36D	High	1200	35.40	25.40	16.50	8.75	36.00	25.20	10.00	8.25	3.30	2.56
				Intermediate	825	22.00	13.40		15.85						
				Low	825	14.40	12.60		29.65						
HMH72B361S	TM9E080B12MP12	17.5	XAUB36D	High	1200	35.40	25.40	16.50	8.75	36.00	25.20	10.00	8.25	3.30	2.56
				Intermediate	825	22.00	13.40		15.85						
				Low	825	14.40	12.60		29.65						
HMH72B361S	TM9Y100C16MP11	21.0	XAFC36D	High	1075	35.40	24.60	18.00	9.00	34.00	23.20	7.80	6.30	3.06	2.34
				Intermediate	600	24.20	10.80		18.20						
				Low	625	14.00	10.70		32.95						
HMH72B361S	TM9Y100C16MP11	21.0	XAFC36D	High	1075	35.40	24.60	18.00	9.00	34.00	23.20	7.80	6.30	3.06	2.34
				Intermediate	600	24.20	10.80		18.20						
				Low	625	14.00	10.70		32.95						
HMH72B361S	TM9V100C20MP12C	21.0	XAHC36D	High	1350	35.40	26.20	16.25	8.75	36.00	25.00	10.00	8.25	3.36	2.58
				Intermediate	825	21.60	13.00		15.65						
				Low	825	14.20	12.40		29.70						
HMH72B361S	TP9C100C20MP13C	21.0	XAHC36D	High	1350	35.40	26.20	16.25	8.75	36.00	25.00	10.00	8.25	3.36	2.58
				Intermediate	825	21.60	13.00		15.65						
				Low	825	14.20	12.40		29.70						
HMH72B361S	YP9C100C20MP13C	21.0	XAHC36D	High	1350	35.40	26.20	16.25	8.75	36.00	25.00	10.00	8.25	3.36	2.58
				Intermediate	825	21.60	13.00		15.65						
				Low	825	14.20	12.40		29.70						
HMH72B361S	TM9V100C20MP12C	21.0	XAHC36D	High	1350	35.40	26.20	16.25	8.75	36.00	25.00	10.00	8.25	3.36	2.58
				Intermediate	825	21.60	13.00		15.65						
				Low	825	14.20	12.40		29.70						
HMH72B361S	TP9C100C20MP13C	21.0	XAHC36D	High	1350	35.40	26.20	16.25	8.75	36.00	25.00	10.00	8.25	3.36	2.58
				Intermediate	825	21.60	13.00		15.65						
				Low	825	14.20	12.40		29.70						
HMH72B361S	YP9C100C20MP13C	21.0	XAHC36D	High	1350	35.40	26.20	16.25	8.75	36.00	25.00	10.00	8.25	3.36	2.58
				Intermediate	825	21.60	13.00		15.65						
				Low	825	14.20	12.40		29.70						
HMH72B361S	TM9V080B12MP12C	17.5	XAFB36D	High	1200	35.60	25.40	17.00	8.50	36.00	25.80	7.80	6.35	3.24	2.52
				Intermediate	800	24.60	12.30		17.45						
				Low	775	14.30	12.20		29.75						
HMH72B361S	TP9C080B12MP13C	17.5	XAFB36D	High	1200	35.60	25.40	17.00	8.50	36.00	25.80	7.80	6.35	3.24	2.52
				Intermediate	800	24.60	12.30		17.45						
				Low	775	14.30	12.20		29.75						
HMH72B361S	YP9C080B12MP13C	17.5	XAFB36D	High	1200	35.60	25.40	17.00	8.50	36.00	25.80	7.80	6.35	3.24	2.52
				Intermediate	800	24.60	12.30		17.45						
				Low	775	14.30	12.20		29.75						

**Table 8: Furnace capacity - 3 ton - 36k**

Outdoor unit model	Furnace model	Furnace width (in.)	Indoor coil model	Stage	Rated CFM	Net cool (MBH)	Sens cool (MBH)	SEER2	EER2	Net47 (MBH)	Net17 (MBH)	HSPF2 IV	HSPF2 V	Cop47	Cop17
HMH72B361S	TM9V080B12MP12C	17.5	XAFB36D	High	1200	35.60	25.40	17.00	8.50	36.00	25.80	7.80	6.35	3.24	2.52
				Intermediate	800	24.60	12.30		17.45						
				Low	775	14.30	12.20		29.75						
HMH72B361S	TM9V080B12MP12C	17.5	XAUB36D	High	1175	35.20	25.00	16.50	8.75	36.00	25.00	10.00	8.10	3.30	2.56
				Intermediate	775	21.80	12.80		15.75						
				Low	775	14.30	12.20		29.75						
HMH72B361S	TP9C080B12MP13C	17.5	XAFB36D	High	1200	35.60	25.40	17.00	8.50	36.00	25.80	7.80	6.35	3.24	2.52
				Intermediate	800	24.60	12.30		17.45						
				Low	775	14.30	12.20		29.75						
HMH72B361S	TP9C080B12MP13C	17.5	XAUB36D	High	1175	35.20	25.00	16.50	8.75	36.00	25.00	10.00	8.10	3.30	2.56
				Intermediate	775	21.80	12.80		15.75						
				Low	775	14.30	12.20		29.75						
HMH72B361S	YP9C080B12MP13C	17.5	XAFB36D	High	1200	35.60	25.40	17.00	8.50	36.00	25.80	7.80	6.35	3.24	2.52
				Intermediate	800	24.60	12.30		17.45						
				Low	775	14.30	12.20		29.75						
HMH72B361S	YP9C080B12MP13C	17.5	XAUB36D	High	1175	35.20	25.00	16.50	8.75	36.00	25.00	10.00	8.10	3.30	2.56
				Intermediate	775	21.80	12.80		15.75						
				Low	775	14.30	12.20		29.75						
HMH72B361S	TM9E080B12MP12	21.0	XAFB36D	High	1200	35.40	25.40	16.50	8.75	36.00	25.20	10.00	8.25	3.30	2.56
				Intermediate	825	22.00	13.40		15.85						
				Low	825	14.40	12.60		29.70						
HMH72B361S	TM9E080B12MP12	21.0	XAFB36D	High	1200	35.40	25.40	16.50	8.75	36.00	25.20	10.00	8.25	3.30	2.56
				Intermediate	825	22.00	13.40		15.85						
				Low	825	14.40	12.60		29.70						
HMH72B361S	TM9V080C16MP12C	21.0	XAFB36D	High	1225	35.60	25.60	16.50	9.00	36.00	25.00	10.00	8.25	3.34	2.60
				Intermediate	800	22.00	13.20		15.85						
				Low	800	14.40	12.40		29.95						
HMH72B361S	TP9C080C16MP13C	21.0	XAFB36D	High	1225	35.60	25.60	16.50	9.00	36.00	25.00	10.00	8.25	3.34	2.60
				Intermediate	800	22.00	13.20		15.85						
				Low	800	14.40	12.40		29.95						
HMH72B361S	YP9C080C16MP13C	21.0	XAFB36D	High	1225	35.60	25.60	16.50	9.00	36.00	25.00	10.00	8.25	3.34	2.60
				Intermediate	800	22.00	13.20		15.85						
				Low	800	14.40	12.40		29.95						
HMH72B361S	TM9V080C16MP12C	21.0	XAFB36D	High	1225	35.60	25.60	16.50	9.00	36.00	25.00	10.00	8.25	3.34	2.60
				Intermediate	800	22.00	13.20		15.85						
				Low	800	14.40	12.40		29.95						
HMH72B361S	TP9C080C16MP13C	21.0	XAFB36D	High	1225	35.60	25.60	16.50	9.00	36.00	25.00	10.00	8.25	3.34	2.60
				Intermediate	800	22.00	13.20		15.85						
				Low	800	14.40	12.40		29.95						
HMH72B361S	YP9C080C16MP13C	21.0	XAFB36D	High	1225	35.60	25.60	16.50	9.00	36.00	25.00	10.00	8.25	3.34	2.60
				Intermediate	800	22.00	13.20		15.85						
				Low	800	14.40	12.40		29.95						
HMH72B361S	TM9E100C16MP12	21.0	XAFB36D	High	1225	35.60	25.60	16.75	9.00	36.00	25.00	10.00	8.25	3.36	2.60
				Intermediate	800	22.00	13.10		16.05						
				Low	800	14.40	12.40		31.05						
HMH72B361S	TM9E100C16MP12	21.0	XAFB36D	High	1225	35.60	25.60	16.75	9.00	36.00	25.00	10.00	8.25	3.36	2.60
				Intermediate	800	22.00	13.10		16.05						
				Low	800	14.40	12.40		31.05						
HMH72B361S	TM9Y080B12MP11	17.5	XAFB36D	High	1175	35.60	25.20	18.00	8.50	36.00	25.80	7.80	6.40	3.22	2.50
				Intermediate	700	24.60	12.00		18.15						
				Low	725	14.20	11.70		30.65						
HMH72B361S	TM9Y080B12MP11	17.5	XAFB36D	High	1175	35.60	25.20	18.00	8.50	36.00	25.80	7.80	6.40	3.22	2.50
				Intermediate	700	24.60	12.00		18.15						
				Low	725	14.20	11.70		30.65						
HMH72B361S	TM9Y080B12MP11	17.5	XAUB36D	High	1125	35.00	24.60	16.50	8.75	36.00	25.00	10.00	8.25	3.26	2.54
				Intermediate	725	21.60	12.20		15.80						
				Low	725	14.20	11.70		30.65						
HMH72B361S	TM9V100C16MP12C	21.0	XAFB36D	High	1200	36.00	25.80	17.50	9.00	36.00	25.40	7.80	6.65	3.32	2.58
				Intermediate	800	24.60	12.30		17.65						
				Low	875	14.60	13.10		30.15						



**Table 8: Furnace capacity - 3 ton - 36k**

Outdoor unit model	Furnace model	Furnace width (in.)	Indoor coil model	Stage	Rated CFM	Net cool (MBH)	Sens cool (MBH)	SEER2	EER2	Net47 (MBH)	Net17 (MBH)	HSPF2 IV	HSPF2 V	Cop47	Cop17
HMH72B361S	TP9C100C16MP13C	21.0	XAFC36D	High	1200	36.00	25.80	17.50	9.00	36.00	25.40	7.80	6.65	3.32	2.58
				Intermediate	800	24.60	12.30		17.65						
				Low	875	14.60	13.10		30.15						
HMH72B361S	YP9C100C16MP13C	21.0	XAFC36D	High	1200	36.00	25.80	17.50	9.00	36.00	25.40	7.80	6.65	3.32	2.58
				Intermediate	800	24.60	12.30		17.65						
				Low	875	14.60	13.10		30.15						
HMH72B361S	TM9V100C16MP12C	21.0	XAFC36D	High	1200	36.00	25.80	17.50	9.00	36.00	25.40	7.80	6.65	3.32	2.58
				Intermediate	800	24.60	12.30		17.65						
				Low	875	14.60	13.10		30.15						
HMH72B361S	TP9C100C16MP13C	21.0	XAFC36D	High	1200	36.00	25.80	17.50	9.00	36.00	25.40	7.80	6.65	3.32	2.58
				Intermediate	800	24.60	12.30		17.65						
				Low	875	14.60	13.10		30.15						
HMH72B361S	YP9C100C16MP13C	21.0	XAFC36D	High	1200	36.00	25.80	17.50	9.00	36.00	25.40	7.80	6.65	3.32	2.58
				Intermediate	800	24.60	12.30		17.65						
				Low	875	14.60	13.10		30.15						
HMH72B361S	TM9E100C16MP12	21.0	XAHC36D	High	1225	34.80	25.00	16.50	8.75	35.60	24.60	10.00	8.30	3.28	2.54
				Intermediate	800	21.60	12.80		15.75						
				Low	800	14.10	12.10		30.35						
HMH72B361S	TM9E100C16MP12	21.0	XAHC36D	High	1225	34.80	25.00	16.50	8.75	35.60	24.60	10.00	8.30	3.28	2.54
				Intermediate	800	21.60	12.80		15.75						
				Low	800	14.10	12.10		30.35						
HMH72B361S	TL9E060B12UH11	21.0	XAFC36D	High	1025	34.60	23.80	16.50	8.75	35.40	24.60	10.00	8.30	3.20	2.54
				Intermediate	675	21.40	11.70		15.70						
				Low	675	14.10	11.30		30.75						
HMH72B361S	TL9E060B12UH11	21.0	XAFC36D	High	1025	34.60	23.80	16.50	8.75	35.40	24.60	10.00	8.30	3.20	2.54
				Intermediate	675	21.40	11.70		15.70						
				Low	675	14.10	11.30		30.75						
HMH72B361S	TM9Y080B12MP11	21.0	XAFC36D	High	1175	35.60	25.20	18.00	8.50	36.00	25.80	7.80	6.40	3.22	2.50
				Intermediate	700	24.60	12.00		18.20						
				Low	750	14.30	11.90		30.95						
HMH72B361S	TM9Y080B12MP11	21.0	XAFC36D	High	1175	35.60	25.20	18.00	8.50	36.00	25.80	7.80	6.40	3.22	2.50
				Intermediate	700	24.60	12.00		18.20						
				Low	750	14.30	11.90		30.95						
HMH72B361S	TM9V100C16MP12C	21.0	XAHC36D	High	1200	35.40	25.40	16.00	8.50	36.00	25.00	7.80	6.45	3.24	2.52
				Intermediate	800	21.80	13.10		15.40						
				Low	875	14.30	12.90		29.05						
HMH72B361S	TP9C100C16MP13C	21.0	XAHC36D	High	1200	35.40	25.40	16.00	8.50	36.00	25.00	7.80	6.45	3.24	2.52
				Intermediate	800	21.80	13.10		15.40						
				Low	875	14.30	12.90		29.05						
HMH72B361S	YP9C100C16MP13C	21.0	XAHC36D	High	1200	35.40	25.40	16.00	8.50	36.00	25.00	7.80	6.45	3.24	2.52
				Intermediate	800	21.80	13.10		15.40						
				Low	875	14.30	12.90		29.05						
HMH72B361S	TM9V100C16MP12C	21.0	XAHC36D	High	1200	35.40	25.40	16.00	8.50	36.00	25.00	7.80	6.45	3.24	2.52
				Intermediate	800	21.80	13.10		15.40						
				Low	875	14.30	12.90		29.05						
HMH72B361S	TP9C100C16MP13C	21.0	XAHC36D	High	1200	35.40	25.40	16.00	8.50	36.00	25.00	7.80	6.45	3.24	2.52
				Intermediate	800	21.80	13.10		15.40						
				Low	875	14.30	12.90		29.05						
HMH72B361S	YP9C100C16MP13C	21.0	XAHC36D	High	1200	35.40	25.40	16.00	8.50	36.00	25.00	7.80	6.45	3.24	2.52
				Intermediate	800	21.80	13.10		15.40						
				Low	875	14.30	12.90		29.05						
HMH72B361S	TM9V060B12MP12C	17.5	XAFB36D	High	1125	35.20	24.60	17.50	8.50	36.00	25.60	7.80	6.15	3.20	2.50
				Intermediate	700	24.20	11.30		17.50						
				Low	700	14.10	11.50		29.85						
HMH72B361S	TP9C060B12MP13C	17.5	XAFB36D	High	1125	35.20	24.60	17.50	8.50	36.00	25.60	7.80	6.15	3.20	2.50
				Intermediate	700	24.20	11.30		17.50						
				Low	700	14.10	11.50		29.85						
HMH72B361S	YP9C060B12MP13C	17.5	XAFB36D	High	1125	35.20	24.60	17.50	8.50	36.00	25.60	7.80	6.15	3.20	2.50
				Intermediate	700	24.20	11.30		17.50						
				Low	700	14.10	11.50		29.85						

**Table 8: Furnace capacity - 3 ton - 36k**

Outdoor unit model	Furnace model	Furnace width (in.)	Indoor coil model	Stage	Rated CFM	Net cool (MBH)	Sens cool (MBH)	SEER2	EER2	Net47 (MBH)	Net17 (MBH)	HSPF2 IV	HSPF2 V	Cop47	Cop17
HMH72B361S	TM9V060B12MP12C	17.5	XAFB36D	High	1125	35.20	24.60	17.50	8.50	36.00	25.60	7.80	6.15	3.20	2.50
				Intermediate	700	24.20	11.30		17.50						
				Low	700	14.10	11.50		29.85						
HMH72B361S	TM9V060B12MP12C	17.5	XAUB36D	High	1125	35.00	24.60	16.25	8.75	36.00	25.00	10.00	8.25	3.24	2.54
				Intermediate	700	21.40	11.90		15.60						
				Low	700	14.10	11.50		29.85						
HMH72B361S	TP9C060B12MP13C	17.5	XAFB36D	High	1125	35.20	24.60	17.50	8.50	36.00	25.60	7.80	6.15	3.20	2.50
				Intermediate	700	24.20	11.30		17.50						
				Low	700	14.10	11.50		29.85						
HMH72B361S	TP9C060B12MP13C	17.5	XAUB36D	High	1125	35.00	24.60	16.25	8.75	36.00	25.00	10.00	8.25	3.24	2.54
				Intermediate	700	21.40	11.90		15.60						
				Low	700	14.10	11.50		29.85						
HMH72B361S	YP9C060B12MP13C	17.5	XAFB36D	High	1125	35.20	24.60	17.50	8.50	36.00	25.60	7.80	6.15	3.20	2.50
				Intermediate	700	24.20	11.30		17.50						
				Low	700	14.10	11.50		29.85						
HMH72B361S	YP9C060B12MP13C	17.5	XAUB36D	High	1125	35.00	24.60	16.25	8.75	36.00	25.00	10.00	8.25	3.24	2.54
				Intermediate	700	21.40	11.90		15.60						
				Low	700	14.10	11.50		29.85						
HMH72B361S	TL9E080C16UH11	21.0	XAFB36D	High	1125	35.40	24.80	17.00	9.00	36.00	25.20	7.80	5.90	3.26	2.56
				Intermediate	850	24.20	11.50		17.05						
				Low	900	14.60	13.30		29.20						
HMH72B361S	TL9E080C16UH11	21.0	XAFB36D	High	1125	35.40	24.80	17.00	9.00	36.00	25.20	7.80	5.90	3.26	2.56
				Intermediate	850	24.20	11.50		17.05						
				Low	900	14.60	13.30		29.20						
HMH72B361S	TL9E100C20UH11	21.0	XAHC36D	High	1200	35.40	25.40	15.50	8.50	36.00	25.00	7.80	6.40	3.24	2.52
				Intermediate	1000	22.80	15.70		15.25						
				Low	1000	14.60	14.20		25.15						
HMH72B361S	TL9E100C20UH11	21.0	XAHC36D	High	1200	35.40	25.40	15.50	8.50	36.00	25.00	7.80	6.40	3.24	2.52
				Intermediate	1000	22.80	15.70		15.25						
				Low	1000	14.60	14.20		25.15						
HMH72B361S	TL9E100C20UH11	21.0	XAFB36D	High	1225	36.00	26.00	16.50	9.00	36.00	25.60	7.80	6.30	3.34	2.58
				Intermediate	1000	24.60	12.70		16.60						
				Low	1000	15.00	14.60		25.90						
HMH72B361S	TL9E100C20UH11	21.0	XAFB36D	High	1225	36.00	26.00	16.50	9.00	36.00	25.60	7.80	6.30	3.34	2.58
				Intermediate	1000	24.60	12.70		16.60						
				Low	1000	15.00	14.60		25.90						
HMH72B361S	TL8E100C20UH11	21.0	XAHC36D	High	1025	34.80	24.00	16.00	9.00	34.80	24.40	7.80	6.15	3.18	2.52
				Intermediate	900	22.20	14.30		15.25						
				Low	900	14.40	13.30		26.25						
HMH72B361S	TL8E100C20UH11	21.0	XAHC36D	High	1025	34.80	24.00	16.00	9.00	34.80	24.40	7.80	6.15	3.18	2.52
				Intermediate	900	22.20	14.30		15.25						
				Low	900	14.40	13.30		26.25						
HMH72B361S	TL8E100C20UH11	21.0	XAFB36D	High	1050	35.60	24.60	16.50	9.00	35.40	24.80	7.80	6.20	3.26	2.58
				Intermediate	900	23.60	10.50		16.30						
				Low	900	14.80	13.70		27.05						
HMH72B361S	TL8E100C20UH11	21.0	XAFB36D	High	1050	35.60	24.60	16.50	9.00	35.40	24.80	7.80	6.20	3.26	2.58
				Intermediate	900	23.60	10.50		16.30						
				Low	900	14.80	13.70		27.05						
HMH72B361S	TM8V060A12MP12C	17.5	XAHB36D	High	1075	34.60	24.00	16.00	8.50	35.40	24.80	7.80	6.20	3.14	2.48
				Intermediate	725	21.40	12.10		15.20						
				Low	725	14.10	11.70		27.90						
HMH72B361S	TMLV060A12MP12C	17.5	XAHB36D	High	1075	34.60	24.00	16.00	8.50	35.40	24.80	7.80	6.20	3.14	2.48
				Intermediate	725	21.40	12.10		15.20						
				Low	725	14.10	11.70		27.90						
HMH72B361S	TPLC060A12MP13C	17.5	XAHB36D	High	1075	34.60	24.00	16.00	8.50	35.40	24.80	7.80	6.20	3.14	2.48
				Intermediate	725	21.40	12.10		15.20						
				Low	725	14.10	11.70		27.90						
HMH72B361S	YPLC060A12MP13C	17.5	XAHB36D	High	1075	34.60	24.00	16.00	8.50	35.40	24.80	7.80	6.20	3.14	2.48
				Intermediate	725	21.40	12.10		15.20						
				Low	725	14.10	11.70		27.90						

**Table 8: Furnace capacity - 3 ton - 36k**

Outdoor unit model	Furnace model	Furnace width (in.)	Indoor coil model	Stage	Rated CFM	Net cool (MBH)	Sens cool (MBH)	SEER2	EER2	Net47 (MBH)	Net17 (MBH)	HSPF2 IV	HSPF2 V	Cop47	Cop17
HMH72B361S	TM8V060A12MP12C	17.5	XAHB36D	High	1075	34.60	24.00	16.00	8.50	35.40	24.80	7.80	6.20	3.14	2.48
				Intermediate	725	21.40	12.10		15.20						
				Low	725	14.10	11.70		27.90						
HMH72B361S	TMLV060A12MP12C	17.5	XAHB36D	High	1075	34.60	24.00	16.00	8.50	35.40	24.80	7.80	6.20	3.14	2.48
				Intermediate	725	21.40	12.10		15.20						
				Low	725	14.10	11.70		27.90						
HMH72B361S	TPLC060A12MP13C	17.5	XAHB36D	High	1075	34.60	24.00	16.00	8.50	35.40	24.80	7.80	6.20	3.14	2.48
				Intermediate	725	21.40	12.10		15.20						
				Low	725	14.10	11.70		27.90						
HMH72B361S	YPLC060A12MP13C	17.5	XAHB36D	High	1075	34.60	24.00	16.00	8.50	35.40	24.80	7.80	6.20	3.14	2.48
				Intermediate	725	21.40	12.10		15.20						
				Low	725	14.10	11.70		27.90						
HMH72B361S	TM9Y060B12MP11	21.0	XAHC36D	High	1075	34.60	24.00	16.00	8.50	35.60	25.00	7.50	5.55	3.10	2.44
				Intermediate	675	21.20	11.50		15.35						
				Low	675	14.00	11.20		29.30						
HMH72B361S	TM9Y060B12MP11	21.0	XAHC36D	High	1075	34.60	24.00	16.00	8.50	35.60	25.00	7.50	5.55	3.10	2.44
				Intermediate	675	21.20	11.50		15.35						
				Low	675	14.00	11.20		29.30						
HMH72B361S	TM8Y120C20MP11	21.0	XAFC36D	High	1000	35.20	24.00	16.50	9.00	35.20	24.80	7.80	6.35	3.22	2.56
				Intermediate	875	23.40	9.90		16.25						
				Low	875	14.70	13.40		27.40						
HMH72B361S	TM8Y100C20MP11	21.0	XAFC36D	High	1000	35.20	24.00	16.50	9.00	35.20	24.80	7.80	6.35	3.22	2.56
				Intermediate	875	23.40	9.90		16.25						
				Low	875	14.70	13.40		27.40						
HMH72B361S	TM8Y120C20MP11	21.0	XAFC36D	High	1000	35.20	24.00	16.50	9.00	35.20	24.80	7.80	6.35	3.22	2.56
				Intermediate	875	23.40	9.90		16.25						
				Low	875	14.70	13.40		27.40						
HMH72B361S	TM8Y100C20MP11	21.0	XAFC36D	High	1000	35.20	24.00	16.50	9.00	35.20	24.80	7.80	6.35	3.22	2.56
				Intermediate	875	23.40	9.90		16.25						
				Low	875	14.70	13.40		27.40						
HMH72B361S	TM8Y060A12MP11	17.5	XAFB36D	High	975	34.80	23.60	18.00	8.50	35.40	25.00	7.80	6.35	3.14	2.50
				Intermediate	625	23.60	9.70		17.35						
				Low	625	14.20	11.00		30.55						
HMH72B361S	TM8Y060A12MP11	17.5	XAFB36D	High	975	34.80	23.60	18.00	8.50	35.40	25.00	7.80	6.35	3.14	2.50
				Intermediate	625	23.60	9.70		17.35						
				Low	625	14.20	11.00		30.55						
HMH72B361S	TM8Y060A12MP11	17.5	XAUB36D	High	975	34.80	23.60	18.00	8.50	35.40	25.00	7.80	6.35	3.14	2.50
				Intermediate	625	23.60	9.70		17.35						
				Low	625	14.20	11.00		30.55						
HMH72B361S	TM8E100B12MP11	17.5	XAFB36D	High	1100	35.40	24.80	18.00	8.50	36.00	25.20	7.80	6.30	3.22	2.54
				Intermediate	675	24.20	11.10		17.90						
				Low	675	14.30	11.50		30.70						
HMH72B361S	TMLE100B12MP11	17.5	XAFB36D	High	1100	35.40	24.80	18.00	8.50	36.00	25.20	7.80	6.30	3.22	2.54
				Intermediate	675	24.20	11.10		17.90						
				Low	675	14.30	11.50		30.70						
HMH72B361S	TM8E100B12MP11	17.5	XAFB36D	High	1100	35.40	24.80	18.00	8.50	36.00	25.20	7.80	6.30	3.22	2.54
				Intermediate	675	24.20	11.10		17.90						
				Low	675	14.30	11.50		30.70						
HMH72B361S	TMLE100B12MP11	17.5	XAUB36D	High	1100	35.40	24.80	18.00	8.50	36.00	25.20	7.80	6.30	3.22	2.54
				Intermediate	675	24.20	11.10		17.90						
				Low	675	14.30	11.50		30.70						
HMH72B361S	TMLE100B12MP11	17.5	XAFB36D	High	1100	35.40	24.80	18.00	8.50	36.00	25.20	7.80	6.30	3.22	2.54
				Intermediate	675	24.20	11.10		17.90						
				Low	675	14.30	11.50		30.70						
HMH72B361S	TMLE100B12MP11	17.5	XAUB36D	High	1100	35.40	24.80	18.00	8.50	36.00	25.20	7.80	6.30	3.22	2.54
				Intermediate	675	24.20	11.10		17.90						
				Low	675	14.30	11.50		30.70						
HMH72B361S	TL9E080C16UH11	21.0	XAHC36D	High	1100	35.00	24.40	16.00	8.50	35.60	24.80	7.80	6.25	3.18	2.50
				Intermediate	825	22.00	13.50		15.30						
				Low	825	14.30	12.60		27.15						

**Table 8: Furnace capacity - 3 ton - 36k**

Outdoor unit model	Furnace model	Furnace width (in.)	Indoor coil model	Stage	Rated CFM	Net cool (MBH)	Sens cool (MBH)	SEER2	EER2	Net47 (MBH)	Net17 (MBH)	HSPF2 IV	HSPF2 V	Cop47	Cop17
HMH72B361S	TL9E080C16UH11	21.0	XAHC36D	High	1100	35.00	24.40	16.00	8.50	35.60	24.80	7.80	6.25	3.18	2.50
				Intermediate	825	22.00	13.50		15.30						
				Low	825	14.30	12.60		27.15						
HMH72B361S	TM9V080B12MP12C	21.0	XAHC36D	High	1200	35.00	25.00	16.00	8.50	36.00	25.40	7.80	6.55	3.18	2.48
				Intermediate	800	21.80	13.10		15.25						
				Low	800	14.20	12.40		27.20						
HMH72B361S	TP9C080B12MP13C	21.0	XAHC36D	High	1200	35.00	25.00	16.00	8.50	36.00	25.40	7.80	6.55	3.18	2.48
				Intermediate	800	21.80	13.10		15.25						
				Low	800	14.20	12.40		27.20						
HMH72B361S	YP9C080B12MP13C	21.0	XAHC36D	High	1200	35.00	25.00	16.00	8.50	36.00	25.40	7.80	6.55	3.18	2.48
				Intermediate	800	21.80	13.10		15.25						
				Low	800	14.20	12.40		27.20						
HMH72B361S	TM9V080B12MP12C	21.0	XAHC36D	High	1200	35.00	25.00	16.00	8.50	36.00	25.40	7.80	6.55	3.18	2.48
				Intermediate	800	21.80	13.10		15.25						
				Low	800	14.20	12.40		27.20						
HMH72B361S	TP9C080B12MP13C	21.0	XAHC36D	High	1200	35.00	25.00	16.00	8.50	36.00	25.40	7.80	6.55	3.18	2.48
				Intermediate	800	21.80	13.10		15.25						
				Low	800	14.20	12.40		27.20						
HMH72B361S	YP9C080B12MP13C	21.0	XAHC36D	High	1200	35.00	25.00	16.00	8.50	36.00	25.40	7.80	6.55	3.18	2.48
				Intermediate	800	21.80	13.10		15.25						
				Low	800	14.20	12.40		27.20						
HMH72B361S	TM8Y080C16MP11	21.0	XAHC36D	High	1150	35.20	25.00	17.00	8.50	35.60	25.00	7.80	5.80	3.20	2.50
				Intermediate	675	21.40	11.60		15.65						
				Low	675	14.10	11.30		31.00						
HMH72B361S	TM8Y080C16MP11	21.0	XAHC36D	High	1150	35.20	25.00	17.00	8.50	35.60	25.00	7.80	5.80	3.20	2.50
				Intermediate	675	21.40	11.60		15.65						
				Low	675	14.10	11.30		31.00						
HMH72B361S	TM8E120C16MP11	21.0	XAFC36D	High	1125	35.60	25.00	18.00	9.00	36.00	25.20	7.80	6.20	3.28	2.58
				Intermediate	750	24.40	11.50		17.80						
				Low	750	14.50	12.20		30.60						
HMH72B361S	TMLE120C16MP11	21.0	XAFC36D	High	1125	35.60	25.00	18.00	9.00	36.00	25.20	7.80	6.20	3.28	2.58
				Intermediate	750	24.40	11.50		17.80						
				Low	750	14.50	12.20		30.60						
HMH72B361S	TM8E120C16MP11	21.0	XAFC36D	High	1125	35.60	25.00	18.00	9.00	36.00	25.20	7.80	6.20	3.28	2.58
				Intermediate	750	24.40	11.50		17.80						
				Low	750	14.50	12.20		30.60						
HMH72B361S	TMLE120C16MP11	21.0	XAFC36D	High	1125	35.60	25.00	18.00	9.00	36.00	25.20	7.80	6.20	3.28	2.58
				Intermediate	750	24.40	11.50		17.80						
				Low	750	14.50	12.20		30.60						
HMH72B361S	TM8E080B12MP11	17.5	XAFB36D	High	1200	35.60	25.40	18.00	8.50	36.00	25.80	7.80	6.35	3.24	2.52
				Intermediate	725	24.80	12.30		18.25						
				Low	725	14.50	12.00		30.50						
HMH72B361S	TMLE080B12MP11	17.5	XAFB36D	High	1200	35.60	25.40	18.00	8.50	36.00	25.80	7.80	6.35	3.24	2.52
				Intermediate	725	24.80	12.30		18.25						
				Low	725	14.50	12.00		30.50						
HMH72B361S	TM8E080B12MP11	17.5	XAFB36D	High	1200	35.60	25.40	18.00	8.50	36.00	25.80	7.80	6.35	3.24	2.52
				Intermediate	725	24.80	12.30		18.25						
				Low	725	14.50	12.00		30.50						
HMH72B361S	TM8E080B12MP11	17.5	XAUB36D	High	1200	35.60	25.40	18.00	8.50	36.00	25.80	7.80	6.35	3.24	2.52
				Intermediate	725	24.80	12.30		18.25						
				Low	725	14.50	12.00		30.50						
HMH72B361S	TMLE080B12MP11	17.5	XAFB36D	High	1200	35.60	25.40	18.00	8.50	36.00	25.80	7.80	6.35	3.24	2.52
				Intermediate	725	24.80	12.30		18.25						
				Low	725	14.50	12.00		30.50						
HMH72B361S	TMLE080B12MP11	17.5	XAUB36D	High	1200	35.60	25.40	18.00	8.50	36.00	25.80	7.80	6.35	3.24	2.52
				Intermediate	725	24.80	12.30		18.25						
				Low	725	14.50	12.00		30.50						
HMH72B361S	TM9Y060B12MP11	21.0	XAFC36D	High	1100	34.80	24.40	16.25	8.75	36.00	25.00	10.00	8.35	3.22	2.54
				Intermediate	700	21.40	11.90		15.65						
				Low	675	14.30	11.50		30.05						

**Table 8: Furnace capacity - 3 ton - 36k**

Outdoor unit model	Furnace model	Furnace width (in.)	Indoor coil model	Stage	Rated CFM	Net cool (MBH)	Sens cool (MBH)	SEER2	EER2	Net47 (MBH)	Net17 (MBH)	HSPF2 IV	HSPF2 V	Cop47	Cop17
HMH72B361S	TM9Y060B12MP11	21.0	XAFC36D	High	1100	34.80	24.40	16.25	8.75	36.00	25.00	10.00	8.35	3.22	2.54
				Intermediate	700	21.40	11.90		15.65						
				Low	675	14.30	11.50		30.05						
HMH72B361S	TM8Y100C16MP11	21.0	XAHC36D	High	1175	35.40	25.20	17.00	8.50	35.80	25.00	7.80	5.85	3.22	2.52
				Intermediate	725	21.60	12.20		15.80						
				Low	725	14.20	11.70		30.95						
HMH72B361S	TM8Y100C16MP11	21.0	XAHC36D	High	1175	35.40	25.20	17.00	8.50	35.80	25.00	7.80	5.85	3.22	2.52
				Intermediate	725	21.60	12.20		15.80						
				Low	725	14.20	11.70		30.95						
HMH72B361S	TM8V080B12MP12C	21.0	XAHC36D	High	1000	34.20	23.20	15.50	8.50	35.20	24.60	7.80	6.35	3.08	2.44
				Intermediate	675	21.20	11.60		14.95						
				Low	675	13.90	11.20		27.40						
HMH72B361S	TPLC080B12MP13C	21.0	XAHC36D	High	1000	34.20	23.20	15.50	8.50	35.20	24.60	7.80	6.35	3.08	2.44
				Intermediate	675	21.20	11.60		14.95						
				Low	675	13.90	11.20		27.40						
HMH72B361S	YPLC080B12MP13C	21.0	XAHC36D	High	1000	34.20	23.20	15.50	8.50	35.20	24.60	7.80	6.35	3.08	2.44
				Intermediate	675	21.20	11.60		14.95						
				Low	675	13.90	11.20		27.40						
HMH72B361S	TM8V080B12MP12C	21.0	XAHC36D	High	1000	34.20	23.20	15.50	8.50	35.20	24.60	7.80	6.35	3.08	2.44
				Intermediate	675	21.20	11.60		14.95						
				Low	675	13.90	11.20		27.40						
HMH72B361S	TPLC080B12MP13C	21.0	XAHC36D	High	1000	34.20	23.20	15.50	8.50	35.20	24.60	7.80	6.35	3.08	2.44
				Intermediate	675	21.20	11.60		14.95						
				Low	675	13.90	11.20		27.40						
HMH72B361S	YPLC080B12MP13C	21.0	XAHC36D	High	1000	34.20	23.20	15.50	8.50	35.20	24.60	7.80	6.35	3.08	2.44
				Intermediate	675	21.20	11.60		14.95						
				Low	675	13.90	11.20		27.40						
HMH72B361S	TM8E080C16MP11	21.0	XAHC36D	High	1075	35.00	24.40	16.50	8.50	35.20	24.60	7.80	6.15	3.18	2.50
				Intermediate	750	21.60	12.40		15.55						
				Low	750	14.20	11.90		29.50						
HMH72B361S	TMLE080C16MP11	21.0	XAHC36D	High	1075	35.00	24.40	16.50	8.50	35.20	24.60	7.80	6.15	3.18	2.50
				Intermediate	750	21.60	12.40		15.55						
				Low	750	14.20	11.90		29.50						
HMH72B361S	TM8E080C16MP11	21.0	XAHC36D	High	1075	35.00	24.40	16.50	8.50	35.20	24.60	7.80	6.15	3.18	2.50
				Intermediate	750	21.60	12.40		15.55						
				Low	750	14.20	11.90		29.50						
HMH72B361S	TMLE080C16MP11	21.0	XAHC36D	High	1075	35.00	24.40	16.50	8.50	35.20	24.60	7.80	6.15	3.18	2.50
				Intermediate	750	21.60	12.40		15.55						
				Low	750	14.20	11.90		29.50						
HMH72B361S	TL9E060B12UH11	21.0	XAHC36D	High	900	34.00	22.60	16.00	8.50	34.60	24.20	7.80	6.35	3.04	2.44
				Intermediate	600	20.80	10.60		15.15						
				Low	600	13.80	10.50		29.30						
HMH72B361S	TL9E060B12UH11	21.0	XAHC36D	High	900	34.00	22.60	16.00	8.50	34.60	24.20	7.80	6.35	3.04	2.44
				Intermediate	600	20.80	10.60		15.15						
				Low	600	13.80	10.50		29.30						
HMH72B361S	TM9Y080B12MP11	21.0	XAHC36D	High	1175	35.00	24.80	16.50	8.50	36.00	25.40	7.80	6.35	3.16	2.46
				Intermediate	700	21.40	11.90		15.50						
				Low	700	14.10	11.50		29.80						
HMH72B361S	TM9Y080B12MP11	21.0	XAHC36D	High	1175	35.00	24.80	16.50	8.50	36.00	25.40	7.80	6.35	3.16	2.46
				Intermediate	700	21.40	11.90		15.50						
				Low	700	14.10	11.50		29.80						
HMH72B361S	TM9V060B12MP12C	21.0	XAHC36D	High	1125	34.60	24.20	16.00	8.50	35.80	25.20	7.80	6.35	3.14	2.46
				Intermediate	700	21.40	12.00		15.10						
				Low	700	14.00	11.50		27.95						
HMH72B361S	TP9C060B12MP13C	21.0	XAHC36D	High	1125	34.60	24.20	16.00	8.50	35.80	25.20	7.80	6.35	3.14	2.46
				Intermediate	700	21.40	12.00		15.10						
				Low	700	14.00	11.50		27.95						
HMH72B361S	YP9C060B12MP13C	21.0	XAHC36D	High	1125	34.60	24.20	16.00	8.50	35.80	25.20	7.80	6.35	3.14	2.46
				Intermediate	700	21.40	12.00		15.10						
				Low	700	14.00	11.50		27.95						

**Table 8: Furnace capacity - 3 ton - 36k**

Outdoor unit model	Furnace model	Furnace width (in.)	Indoor coil model	Stage	Rated CFM	Net cool (MBH)	Sens cool (MBH)	SEER2	EER2	Net47 (MBH)	Net17 (MBH)	HSPF2 IV	HSPF2 V	Cop47	Cop17
HMH72B361S	TM9V060B12MP12C	21.0	XAHC36D	High	1125	34.60	24.20	16.00	8.50	35.80	25.20	7.80	6.35	3.14	2.46
				Intermediate	700	21.40	12.00		15.10						
				Low	700	14.00	11.50		27.95						
HMH72B361S	TP9C060B12MP13C	21.0	XAHC36D	High	1125	34.60	24.20	16.00	8.50	35.80	25.20	7.80	6.35	3.14	2.46
				Intermediate	700	21.40	12.00		15.10						
				Low	700	14.00	11.50		27.95						
HMH72B361S	YP9C060B12MP13C	21.0	XAHC36D	High	1125	34.60	24.20	16.00	8.50	35.80	25.20	7.80	6.35	3.14	2.46
				Intermediate	700	21.40	12.00		15.10						
				Low	700	14.00	11.50		27.95						
HMH72B361S	TM8Y080B12MP11	21.0	XAFC36D	High	1050	35.40	24.40	18.00	9.00	35.80	25.00	7.80	6.30	3.22	2.54
				Intermediate	650	24.00	10.50		17.75						
				Low	650	14.30	11.30		30.90						
HMH72B361S	TM8Y080B12MP11	21.0	XAFC36D	High	1050	35.40	24.40	18.00	9.00	35.80	25.00	7.80	6.30	3.22	2.54
				Intermediate	650	24.00	10.50		17.75						
				Low	650	14.30	11.30		30.90						
HMH72B361S	TM8E100B12MP11	21.0	XAHC36D	High	1100	34.80	24.20	16.50	8.50	35.40	24.80	7.80	6.25	3.16	2.48
				Intermediate	675	21.40	11.70		15.45						
				Low	675	14.00	11.20		30.00						
HMH72B361S	TMLE100B12MP11	21.0	XAHC36D	High	1100	34.80	24.20	16.50	8.50	35.40	24.80	7.80	6.25	3.16	2.48
				Intermediate	675	21.40	11.70		15.45						
				Low	675	14.00	11.20		30.00						
HMH72B361S	TM8E100B12MP11	21.0	XAHC36D	High	1100	34.80	24.20	16.50	8.50	35.40	24.80	7.80	6.25	3.16	2.48
				Intermediate	675	21.40	11.70		15.45						
				Low	675	14.00	11.20		30.00						
HMH72B361S	TMLE100B12MP11	21.0	XAHC36D	High	1100	34.80	24.20	16.50	8.50	35.40	24.80	7.80	6.25	3.16	2.48
				Intermediate	675	21.40	11.70		15.45						
				Low	675	14.00	11.20		30.00						
HMH72B361S	TM8E040A12MP11	17.5	XAHB36D	High	1050	34.60	23.80	16.50	8.50	35.20	24.60	7.80	6.25	3.14	2.48
				Intermediate	625	21.00	10.90		15.40						
				Low	625	13.90	10.80		30.30						
HMH72B361S	TMLE040A12MP11	17.5	XAHB36D	High	1050	34.60	23.80	16.50	8.50	35.20	24.60	7.80	6.25	3.14	2.48
				Intermediate	625	21.00	10.90		15.40						
				Low	625	13.90	10.80		30.30						
HMH72B361S	TM8E040A12MP11	17.5	XAHB36D	High	1050	34.60	23.80	16.50	8.50	35.20	24.60	7.80	6.25	3.14	2.48
				Intermediate	625	21.00	10.90		15.40						
				Low	625	13.90	10.80		30.30						
HMH72B361S	TMLE040A12MP11	17.5	XAHB36D	High	1050	34.60	23.80	16.50	8.50	35.20	24.60	7.80	6.25	3.14	2.48
				Intermediate	625	21.00	10.90		15.40						
				Low	625	13.90	10.80		30.30						
HMH72B361S	TM9Y080C16MP11	21.0	XAHC36D	High	1075	34.80	24.20	17.00	8.50	35.40	24.80	7.80	6.00	3.16	2.48
				Intermediate	600	21.00	10.70		15.55						
				Low	600	13.90	10.50		31.65						
HMH72B361S	TM9Y080C16MP11	21.0	XAHC36D	High	1075	34.80	24.20	17.00	8.50	35.40	24.80	7.80	6.00	3.16	2.48
				Intermediate	600	21.00	10.70		15.55						
				Low	600	13.90	10.50		31.65						
HMH72B361S	TM9V080B12MP12C	17.5	XAHB36D	High	1100	34.60	24.00	15.50	8.50	35.80	25.00	7.80	6.35	3.12	2.46
				Intermediate	750	21.60	12.60		15.05						
				Low	750	14.10	12.00		26.90						
HMH72B361S	TP9C080B12MP13C	17.5	XAHB36D	High	1100	34.60	24.00	15.50	8.50	35.80	25.00	7.80	6.35	3.12	2.46
				Intermediate	750	21.60	12.60		15.05						
				Low	750	14.10	12.00		26.90						
HMH72B361S	YP9C080B12MP13C	17.5	XAHB36D	High	1100	34.60	24.00	15.50	8.50	35.80	25.00	7.80	6.35	3.12	2.46
				Intermediate	750	21.60	12.60		15.05						
				Low	750	14.10	12.00		26.90						
HMH72B361S	TM9V080B12MP12C	17.5	XAHB36D	High	1100	34.60	24.00	15.50	8.50	35.80	25.00	7.80	6.35	3.12	2.46
				Intermediate	750	21.60	12.60		15.05						
				Low	750	14.10	12.00		26.90						
HMH72B361S	TP9C080B12MP13C	17.5	XAHB36D	High	1100	34.60	24.00	15.50	8.50	35.80	25.00	7.80	6.35	3.12	2.46
				Intermediate	750	21.60	12.60		15.05						
				Low	750	14.10	12.00		26.90						

**Table 8: Furnace capacity - 3 ton - 36k**

Outdoor unit model	Furnace model	Furnace width (in.)	Indoor coil model	Stage	Rated CFM	Net cool (MBH)	Sens cool (MBH)	SEER2	EER2	Net47 (MBH)	Net17 (MBH)	HSPF2 IV	HSPF2 V	Cop47	Cop17
HMH72B361S	YP9C080B12MP13C	17.5	XAHB36D	High	1100	34.60	24.00	15.50	8.50	35.80	25.00	7.80	6.35	3.12	2.46
				Intermediate	750	21.60	12.60		15.05						
				Low	750	14.10	12.00		26.90						
HMH72B361S	TM8Y080B12MP11	21.0	XAHC36D	High	1025	34.60	23.80	16.50	8.50	35.20	24.60	7.80	6.25	3.12	2.48
				Intermediate	650	21.20	11.30		15.45						
				Low	650	14.00	11.00		30.10						
HMH72B361S	TM8Y080B12MP11	21.0	XAHC36D	High	1025	34.60	23.80	16.50	8.50	35.20	24.60	7.80	6.25	3.12	2.48
				Intermediate	650	21.20	11.30		15.45						
				Low	650	14.00	11.00		30.10						
HMH72B361S	TM8E100C16MP11	21.0	XAHC36D	High	1100	35.00	24.40	16.50	8.50	35.60	24.60	7.80	6.15	3.20	2.50
				Intermediate	725	21.60	12.20		15.55						
				Low	725	14.20	11.70		29.75						
HMH72B361S	TMLE100C16MP11	21.0	XAHC36D	High	1100	35.00	24.40	16.50	8.50	35.60	24.60	7.80	6.15	3.20	2.50
				Intermediate	725	21.60	12.20		15.55						
				Low	725	14.20	11.70		29.75						
HMH72B361S	TM8E100C16MP11	21.0	XAHC36D	High	1100	35.00	24.40	16.50	8.50	35.60	24.60	7.80	6.15	3.20	2.50
				Intermediate	725	21.60	12.20		15.55						
				Low	725	14.20	11.70		29.75						
HMH72B361S	TMLE100C16MP11	21.0	XAHC36D	High	1100	35.00	24.40	16.50	8.50	35.60	24.60	7.80	6.15	3.20	2.50
				Intermediate	725	21.60	12.20		15.55						
				Low	725	14.20	11.70		29.75						
HMH72B361S	TM8E060A12MP11	17.5	XAHB36D	High	1075	34.60	24.00	16.00	8.50	35.40	24.80	7.80	6.35	3.12	2.46
				Intermediate	700	21.40	11.90		15.30						
				Low	700	14.00	11.40		28.85						
HMH72B361S	TMLE060A12MP11	17.5	XAHB36D	High	1075	34.60	24.00	16.00	8.50	35.40	24.80	7.80	6.35	3.12	2.46
				Intermediate	700	21.40	11.90		15.30						
				Low	700	14.00	11.40		28.85						
HMH72B361S	TM8E060A12MP11	17.5	XAHB36D	High	1075	34.60	24.00	16.00	8.50	35.40	24.80	7.80	6.35	3.12	2.46
				Intermediate	700	21.40	11.90		15.30						
				Low	700	14.00	11.40		28.85						
HMH72B361S	TMLE060A12MP11	17.5	XAHB36D	High	1075	34.60	24.00	16.00	8.50	35.40	24.80	7.80	6.35	3.12	2.46
				Intermediate	700	21.40	11.90		15.30						
				Low	700	14.00	11.40		28.85						
HMH72B361S	TM9V080C16MP12C	21.0	XAHC36D	High	1225	35.20	25.20	16.00	8.50	36.00	25.20	7.80	6.50	3.22	2.50
				Intermediate	800	21.80	13.10		15.25						
				Low	800	14.20	12.40		27.30						
HMH72B361S	TP9C080C16MP13C	21.0	XAHC36D	High	1225	35.20	25.20	16.00	8.50	36.00	25.20	7.80	6.50	3.22	2.50
				Intermediate	800	21.80	13.10		15.25						
				Low	800	14.20	12.40		27.30						
HMH72B361S	YP9C080C16MP13C	21.0	XAHC36D	High	1225	35.20	25.20	16.00	8.50	36.00	25.20	7.80	6.50	3.22	2.50
				Intermediate	800	21.80	13.10		15.25						
				Low	800	14.20	12.40		27.30						
HMH72B361S	TM9V080C16MP12C	21.0	XAHC36D	High	1225	35.20	25.20	16.00	8.50	36.00	25.20	7.80	6.50	3.22	2.50
				Intermediate	800	21.80	13.10		15.25						
				Low	800	14.20	12.40		27.30						
HMH72B361S	TP9C080C16MP13C	21.0	XAHC36D	High	1225	35.20	25.20	16.00	8.50	36.00	25.20	7.80	6.50	3.22	2.50
				Intermediate	800	21.80	13.10		15.25						
				Low	800	14.20	12.40		27.30						
HMH72B361S	YP9C080C16MP13C	21.0	XAHC36D	High	1225	35.20	25.20	16.00	8.50	36.00	25.20	7.80	6.50	3.22	2.50
				Intermediate	800	21.80	13.10		15.25						
				Low	800	14.20	12.40		27.30						
HMH72B361S	TM8Y100C16MP11	21.0	XAFC36D	High	1200	36.00	25.80	18.00	9.00	36.00	25.40	7.80	6.65	3.32	2.58
				Intermediate	725	24.80	12.30		18.55						
				Low	725	14.50	11.90		31.85						
HMH72B361S	TM8Y080C16MP11	21.0	XAFC36D	High	1200	36.00	25.80	18.00	9.00	36.00	25.40	7.80	6.65	3.32	2.58
				Intermediate	725	24.80	12.30		18.55						
				Low	725	14.50	11.90		31.85						
HMH72B361S	TM8Y100C16MP11	21.0	XAFC36D	High	1200	36.00	25.80	18.00	9.00	36.00	25.40	7.80	6.65	3.32	2.58
				Intermediate	725	24.80	12.30		18.55						
				Low	725	14.50	11.90		31.85						

**Table 8: Furnace capacity - 3 ton - 36k**

Outdoor unit model	Furnace model	Furnace width (in.)	Indoor coil model	Stage	Rated CFM	Net cool (MBH)	Sens cool (MBH)	SEER2	EER2	Net47 (MBH)	Net17 (MBH)	HSPF2 IV	HSPF2 V	Cop47	Cop17
HMH72B361S	TM8Y080C16MP11	21.0	XAFC36D	High	1200	36.00	25.80	18.00	9.00	36.00	25.40	7.80	6.65	3.32	2.58
				Intermediate	725	24.80	12.30		18.55						
				Low	725	14.50	11.90		31.85	1.90					
HMH72B361S	TM8V080B12MP12C	17.5	XAHB36D	High	1000	34.20	23.20	15.50	8.00	35.20	24.80	7.50	5.55	3.06	2.42
				Intermediate	675	21.20	11.60		14.80						
				Low	675	13.90	11.30		26.80	2.10					
HMH72B361S	TPLC080B12MP13C	17.5	XAHB36D	High	1000	34.20	23.20	15.50	8.00	35.20	24.80	7.50	5.55	3.06	2.42
				Intermediate	675	21.20	11.60		14.80						
				Low	675	13.90	11.30		26.80	2.10					
HMH72B361S	YPLC080B12MP13C	17.5	XAHB36D	High	1000	34.20	23.20	15.50	8.00	35.20	24.80	7.50	5.55	3.06	2.42
				Intermediate	675	21.20	11.60		14.80						
				Low	675	13.90	11.30		26.80	2.10					
HMH72B361S	TM8V080B12MP12C	17.5	XAHB36D	High	1000	34.20	23.20	15.50	8.00	35.20	24.80	7.50	5.55	3.06	2.42
				Intermediate	675	21.20	11.60		14.80						
				Low	675	13.90	11.30		26.80	2.10					
HMH72B361S	TPLC080B12MP13C	17.5	XAHB36D	High	1000	34.20	23.20	15.50	8.00	35.20	24.80	7.50	5.55	3.06	2.42
				Intermediate	675	21.20	11.60		14.80						
				Low	675	13.90	11.30		26.80	2.10					
HMH72B361S	YPLC080B12MP13C	17.5	XAHB36D	High	1000	34.20	23.20	15.50	8.00	35.20	24.80	7.50	5.55	3.06	2.42
				Intermediate	675	21.20	11.60		14.80						
				Low	675	13.90	11.30		26.80	2.10					
HMH72B361S	TM8E080B12MP11	21.0	XAHC36D	High	1200	35.00	25.00	16.50	8.50	36.00	25.40	7.80	6.55	3.18	2.46
				Intermediate	700	21.40	11.90		15.50						
				Low	700	14.10	11.50		29.70	2.30					
HMH72B361S	TMLE080B12MP11	21.0	XAHC36D	High	1200	35.00	25.00	16.50	8.50	36.00	25.40	7.80	6.55	3.18	2.46
				Intermediate	700	21.40	11.90		15.50						
				Low	700	14.10	11.50		29.70	2.30					
HMH72B361S	TM8E080B12MP11	21.0	XAHC36D	High	1200	35.00	25.00	16.50	8.50	36.00	25.40	7.80	6.55	3.18	2.46
				Intermediate	700	21.40	11.90		15.50						
				Low	700	14.10	11.50		29.70	2.30					
HMH72B361S	TMLE080B12MP11	21.0	XAHC36D	High	1200	35.00	25.00	16.50	8.50	36.00	25.40	7.80	6.55	3.18	2.46
				Intermediate	700	21.40	11.90		15.50						
				Low	700	14.10	11.50		29.70	2.30					
HMH72B361S	TL9E060B12UH11	17.5	XAFB36D	High	1000	34.40	23.40	16.50	8.75	35.40	24.60	10.00	8.35	3.18	2.52
				Intermediate	675	21.40	11.70		15.70						
				Low	600	14.10	10.80		29.90	2.30					
HMH72B361S	TL9E060B12UH11	17.5	XAFB36D	High	1000	34.40	23.40	16.50	8.75	35.40	24.60	10.00	8.35	3.18	2.52
				Intermediate	675	21.40	11.70		15.70						
				Low	600	14.10	10.80		29.90	2.30					
HMH72B361S	TL9E060B12UH11	17.5	XAUB36D	High	900	34.60	23.00	17.50	8.50	35.00	24.80	7.80	6.45	3.10	2.50
				Intermediate	600	23.00	8.60		16.90						
				Low	600	14.10	10.80		29.90	2.30					

## Furnace capacity - 4 ton

**Table 9: Furnace capacity - 4 ton**

Outdoor unit model	Furnace model	Furnace width (in.)	Indoor coil model	Stage	Rated CFM	Net cool (MBH)	Sens cool (MBH)	SEER2	EER2	Net47 (MBH)	Net17 (MBH)	HSPF2 IV	HSPF2 V	Cop47	Cop17
HMH72B481S	TM8V100C16MP12C	24.5	CF64D	High	1425	47.50	32.80	17.25	9.75	46.00	29.60	9.00	7.30	3.28	2.44
				Intermediate	900	27.40	15.50		16.60						
				Low	900	15.80	13.40		32.15	17.10					
HMH72B481S	TM8V080C16MP12C	24.5	CF64D	High	1425	47.50	32.80	17.25	9.75	46.00	29.60	9.00	7.30	3.28	2.44
				Intermediate	900	27.40	15.50		16.60						
				Low	900	15.80	13.40		32.15	17.10					
HMH72B481S	TMLV100C16MP12C	24.5	CF64D	High	1425	47.50	32.80	17.25	9.75	46.00	29.60	9.00	7.30	3.28	2.44
				Intermediate	900	27.40	15.50		16.60						
				Low	900	15.80	13.40		32.15	17.10					



**Table 9: Furnace capacity - 4 ton**

Outdoor unit model	Furnace model	Furnace width (in.)	Indoor coil model	Stage	Rated CFM	Net cool (MBH)	Sens cool (MBH)	SEER2	EER2	Net47 (MBH)	Net17 (MBH)	HSPF2 IV	HSPF2 V	Cop47	Cop17
HMH72B481S	TPLC080C16MP13C	24.5	CF64D	High	1425	47.50	32.80	17.25	9.75	46.00	29.60	9.00	7.30	3.28	2.44
				Intermediate	900	27.40	15.50		16.60						
				Low	900	15.80	13.40		32.15						
HMH72B481S	TPLC100C16MP13C	24.5	CF64D	High	1425	47.50	32.80	17.25	9.75	46.00	29.60	9.00	7.30	3.28	2.44
				Intermediate	900	27.40	15.50		16.60						
				Low	900	15.80	13.40		32.15						
HMH72B481S	YPLC080C16MP13C	24.5	CF64D	High	1425	47.50	32.80	17.25	9.75	46.00	29.60	9.00	7.30	3.28	2.44
				Intermediate	900	27.40	15.50		16.60						
				Low	900	15.80	13.40		32.15						
HMH72B481S	YPLC100C16MP13C	24.5	CF64D	High	1425	47.50	32.80	17.25	9.75	46.00	29.60	9.00	7.30	3.28	2.44
				Intermediate	900	27.40	15.50		16.60						
				Low	900	15.80	13.40		32.15						
HMH72B481S	TM8V100C16MP12C	24.5	CM64D	High	1425	47.50	32.80	17.25	9.75	46.00	29.60	9.00	7.30	3.28	2.44
				Intermediate	900	27.40	15.50		16.60						
				Low	900	15.80	13.40		32.15						
HMH72B481S	TM8V080C16MP12C	24.5	CM64D	High	1425	47.50	32.80	17.25	9.75	46.00	29.60	9.00	7.30	3.28	2.44
				Intermediate	900	27.40	15.50		16.60						
				Low	900	15.80	13.40		32.15						
HMH72B481S	TMLV100C16MP12C	24.5	CM64D	High	1425	47.50	32.80	17.25	9.75	46.00	29.60	9.00	7.30	3.28	2.44
				Intermediate	900	27.40	15.50		16.60						
				Low	900	15.80	13.40		32.15						
HMH72B481S	TPLC080C16MP13C	24.5	CM64D	High	1425	47.50	32.80	17.25	9.75	46.00	29.60	9.00	7.30	3.28	2.44
				Intermediate	900	27.40	15.50		16.60						
				Low	900	15.80	13.40		32.15						
HMH72B481S	TPLC100C16MP13C	24.5	CM64D	High	1425	47.50	32.80	17.25	9.75	46.00	29.60	9.00	7.30	3.28	2.44
				Intermediate	900	27.40	15.50		16.60						
				Low	900	15.80	13.40		32.15						
HMH72B481S	YPLC080C16MP13C	24.5	CM64D	High	1425	47.50	32.80	17.25	9.75	46.00	29.60	9.00	7.30	3.28	2.44
				Intermediate	900	27.40	15.50		16.60						
				Low	900	15.80	13.40		32.15						
HMH72B481S	YPLC100C16MP13C	24.5	CM64D	High	1425	47.50	32.80	17.25	9.75	46.00	29.60	9.00	7.30	3.28	2.44
				Intermediate	900	27.40	15.50		16.60						
				Low	900	15.80	13.40		32.15						
HMH72B481S	TM8E120C16MP11	24.5	CF64D	High	1575	48.00	34.00	17.50	9.75	46.50	30.20	9.00	7.25	3.32	2.44
				Intermediate	900	27.40	15.40		16.85						
				Low	900	15.90	13.40		33.65						
HMH72B481S	TMLE120C16MP11	24.5	CF64D	High	1575	48.00	34.00	17.50	9.75	46.50	30.20	9.00	7.25	3.32	2.44
				Intermediate	900	27.40	15.40		16.85						
				Low	900	15.90	13.40		33.65						
HMH72B481S	TM8E120C16MP11	24.5	CM64D	High	1575	48.00	34.00	17.50	9.75	46.50	30.20	9.00	7.25	3.32	2.44
				Intermediate	900	27.40	15.40		16.85						
				Low	900	15.90	13.40		33.65						
HMH72B481S	TMLE120C16MP11	24.5	CM64D	High	1575	48.00	34.00	17.50	9.75	46.50	30.20	9.00	7.25	3.32	2.44
				Intermediate	900	27.40	15.40		16.85						
				Low	900	15.90	13.40		33.65						
HMH72B481S	TM8E100C16MP11	24.5	CF64D	High	1575	48.00	34.00	17.25	9.75	46.50	30.20	9.00	7.20	3.32	2.44
				Intermediate	875	27.40	15.20		16.75						
				Low	875	15.80	13.20		33.55						
HMH72B481S	TMLE100C16MP11	24.5	CF64D	High	1575	48.00	34.00	17.25	9.75	46.50	30.20	9.00	7.20	3.32	2.44
				Intermediate	875	27.40	15.20		16.75						
				Low	875	15.80	13.20		33.55						
HMH72B481S	TM8E100C16MP11	24.5	CM64D	High	1575	48.00	34.00	17.25	9.75	46.50	30.20	9.00	7.20	3.32	2.44
				Intermediate	875	27.40	15.20		16.75						
				Low	875	15.80	13.20		33.55						
HMH72B481S	TMLE100C16MP11	24.5	CM64D	High	1575	48.00	34.00	17.25	9.75	46.50	30.20	9.00	7.20	3.32	2.44
				Intermediate	875	27.40	15.20		16.75						
				Low	875	15.80	13.20		33.55						
HMH72B481S	TL8E080C16UH11	24.5	CF64D	High	1550	48.00	33.80	17.25	9.75	46.50	30.20	9.00	7.20	3.30	2.42
				Intermediate	1000	27.80	16.50		16.65						
				Low	1000	16.00	14.20		31.10						

**Table 9: Furnace capacity - 4 ton**

Outdoor unit model	Furnace model	Furnace width (in.)	Indoor coil model	Stage	Rated CFM	Net cool (MBH)	Sens cool (MBH)	SEER2	EER2	Net47 (MBH)	Net17 (MBH)	HSPF2 IV	HSPF2 V	Cop47	Cop17
HMH72B481S	TL8E080C16UH11	24.5	CM64D	High	1550	48.00	33.80	17.25	9.75	46.50	30.20	9.00	7.20	3.30	2.42
				Intermediate	1000	27.80	16.50		16.65						
				Low	1000	16.00	14.20		31.10	17.40				4.28	
HMH72B481S	TM9V120D20MP12C	24.5	CF64D	High	1650	48.00	34.60	17.50	9.75	47.00	30.80	9.30	6.85	3.40	2.50
				Intermediate	1025	28.00	16.90		16.85						
				Low	1025	16.10	14.40		31.90	17.00				4.26	
HMH72B481S	TP9C120D20MP13C	24.5	CF64D	High	1650	48.00	34.60	17.50	9.75	47.00	30.80	9.30	6.85	3.40	2.50
				Intermediate	1025	28.00	16.90		16.85						
				Low	1025	16.10	14.40		31.90	17.00				4.26	
HMH72B481S	YP9C120D20MP13C	24.5	CF64D	High	1650	48.00	34.60	17.50	9.75	47.00	30.80	9.30	6.85	3.40	2.50
				Intermediate	1025	28.00	16.90		16.85						
				Low	1025	16.10	14.40		31.90	17.00				4.26	
HMH72B481S	TM9V120D20MP12C	24.5	CM64D	High	1650	48.00	34.60	17.50	9.75	47.00	30.80	9.30	6.85	3.40	2.50
				Intermediate	1025	28.00	16.90		16.85						
				Low	1025	16.10	14.40		31.90	17.00				4.26	
HMH72B481S	TP9C120D20MP13C	24.5	CM64D	High	1650	48.00	34.60	17.50	9.75	47.00	30.80	9.30	6.85	3.40	2.50
				Intermediate	1025	28.00	16.90		16.85						
				Low	1025	16.10	14.40		31.90	17.00				4.26	
HMH72B481S	YP9C120D20MP13C	24.5	CM64D	High	1650	48.00	34.60	17.50	9.75	47.00	30.80	9.30	6.85	3.40	2.50
				Intermediate	1025	28.00	16.90		16.85						
				Low	1025	16.10	14.40		31.90	17.00				4.26	
HMH72B481S	TM9V100C20MP12C	24.5	CF64D	High	1625	48.00	34.40	17.00	9.75	47.00	31.00	9.30	6.80	3.36	2.48
				Intermediate	1050	28.00	17.10		16.60						
				Low	1050	16.00	14.60		30.05	17.20				4.22	
HMH72B481S	TP9C100C20MP13C	24.5	CF64D	High	1625	48.00	34.40	17.00	9.75	47.00	31.00	9.30	6.80	3.36	2.48
				Intermediate	1050	28.00	17.10		16.60						
				Low	1050	16.00	14.60		30.05	17.20				4.22	
HMH72B481S	YP9C100C20MP13C	24.5	CF64D	High	1625	48.00	34.40	17.00	9.75	47.00	31.00	9.30	6.80	3.36	2.48
				Intermediate	1050	28.00	17.10		16.60						
				Low	1050	16.00	14.60		30.05	17.20				4.22	
HMH72B481S	TM9V100C20MP12C	24.5	CM64D	High	1625	48.00	34.40	17.00	9.75	47.00	31.00	9.30	6.80	3.36	2.48
				Intermediate	1050	28.00	17.10		16.60						
				Low	1050	16.00	14.60		30.05	17.20				4.22	
HMH72B481S	TP9C100C20MP13C	24.5	CM64D	High	1625	48.00	34.40	17.00	9.75	47.00	31.00	9.30	6.80	3.36	2.48
				Intermediate	1050	28.00	17.10		16.60						
				Low	1050	16.00	14.60		30.05	17.20				4.22	
HMH72B481S	YP9C100C20MP13C	24.5	CM64D	High	1625	48.00	34.40	17.00	9.75	47.00	31.00	9.30	6.80	3.36	2.48
				Intermediate	1050	28.00	17.10		16.60						
				Low	1050	16.00	14.60		30.05	17.20				4.22	
HMH72B481S	TL8E100C20UH11	24.5	CF64D	High	1600	48.00	34.20	17.50	10.00	46.50	30.00	9.30	6.70	3.38	2.46
				Intermediate	1125	28.60	18.10		16.95						
				Low	1125	16.20	15.10		31.25	17.60				4.44	
HMH72B481S	TL8E100C20UH11	24.5	CM64D	High	1600	48.00	34.20	17.50	10.00	46.50	30.00	9.30	6.70	3.38	2.46
				Intermediate	1125	28.60	18.10		16.95						
				Low	1125	16.20	15.10		31.25	17.60				4.44	
HMH72B481S	TM9Y100C16MP11	24.5	CF64D	High	1400	47.50	32.60	17.00	9.75	46.00	30.20	9.00	7.35	3.26	2.44
				Intermediate	1025	28.00	17.00		16.50						
				Low	1025	16.00	14.40		29.85	17.10				4.16	
HMH72B481S	TM9Y100C16MP11	24.5	CM64D	High	1400	47.50	32.60	17.00	9.75	46.00	30.20	9.00	7.35	3.26	2.44
				Intermediate	1025	28.00	17.00		16.50						
				Low	1025	16.00	14.40		29.85	17.10				4.16	
HMH72B481S	TM9E100C16MP12	24.5	CF64D	High	1600	48.00	34.00	17.25	9.50	47.00	31.00	9.00	7.30	3.32	2.46
				Intermediate	900	27.40	15.40		16.75						
				Low	900	15.90	13.40		33.10	16.70				4.14	
HMH72B481S	TM9E100C16MP12	24.5	CM64D	High	1600	48.00	34.00	17.25	9.50	47.00	31.00	9.00	7.30	3.32	2.46
				Intermediate	900	27.40	15.40		16.75						
				Low	900	15.90	13.40		33.10	16.70				4.14	
HMH72B481S	TM9V080C16MP12C	24.5	CF64D	High	1525	47.50	33.20	16.75	9.50	46.50	30.80	9.00	7.35	3.30	2.44
				Intermediate	975	27.80	16.40		16.45						
				Low	975	15.90	14.00		30.25	17.00				4.14	

**Table 9: Furnace capacity - 4 ton**

Outdoor unit model	Furnace model	Furnace width (in.)	Indoor coil model	Stage	Rated CFM	Net cool (MBH)	Sens cool (MBH)	SEER2	EER2	Net47 (MBH)	Net17 (MBH)	HSPF2 IV	HSPF2 V	Cop47	Cop17
HMH72B481S	TP9C080C16MP13C	24.5	CF64D	High	1525	47.50	33.20	16.75	9.50	46.50	30.80	9.00	7.35	3.30	2.44
				Intermediate	975	27.80	16.40		16.45						
				Low	975	15.90	14.00		30.25						
HMH72B481S	YP9C080C16MP13C	24.5	CF64D	High	1525	47.50	33.20	16.75	9.50	46.50	30.80	9.00	7.35	3.30	2.44
				Intermediate	975	27.80	16.40		16.45						
				Low	975	15.90	14.00		30.25						
HMH72B481S	TM9V080C16MP12C	24.5	CM64D	High	1525	47.50	33.20	16.75	9.50	46.50	30.80	9.00	7.35	3.30	2.44
				Intermediate	975	27.80	16.40		16.45						
				Low	975	15.90	14.00		30.25						
HMH72B481S	TP9C080C16MP13C	24.5	CM64D	High	1525	47.50	33.20	16.75	9.50	46.50	30.80	9.00	7.35	3.30	2.44
				Intermediate	975	27.80	16.40		16.45						
				Low	975	15.90	14.00		30.25						
HMH72B481S	YP9C080C16MP13C	24.5	CM64D	High	1525	47.50	33.20	16.75	9.50	46.50	30.80	9.00	7.35	3.30	2.44
				Intermediate	975	27.80	16.40		16.45						
				Low	975	15.90	14.00		30.25						
HMH72B481S	TL9E080C16UH11	24.5	CF64D	High	1400	47.50	32.60	17.25	9.75	46.00	29.60	9.00	7.35	3.24	2.42
				Intermediate	950	27.60	16.00		16.55						
				Low	950	15.90	13.80		31.15						
HMH72B481S	TL9E080C16UH11	24.5	CM64D	High	1400	47.50	32.60	17.25	9.75	46.00	29.60	9.00	7.35	3.24	2.42
				Intermediate	950	27.60	16.00		16.55						
				Low	950	15.90	13.80		31.15						
HMH72B481S	TM9V100C16MP12C	24.5	CF64D	High	1600	48.00	34.00	17.00	9.75	47.00	30.80	9.30	6.80	3.36	2.48
				Intermediate	1100	28.20	17.70		16.55						
				Low	1100	16.10	15.00		29.35						
HMH72B481S	TP9C100C16MP13C	24.5	CF64D	High	1600	48.00	34.00	17.00	9.75	47.00	30.80	9.30	6.80	3.36	2.48
				Intermediate	1100	28.20	17.70		16.55						
				Low	1100	16.10	15.00		29.35						
HMH72B481S	YP9C100C16MP13C	24.5	CF64D	High	1600	48.00	34.00	17.00	9.75	47.00	30.80	9.30	6.80	3.36	2.48
				Intermediate	1100	28.20	17.70		16.55						
				Low	1100	16.10	15.00		29.35						
HMH72B481S	TM9V100C16MP12C	24.5	CM64D	High	1600	48.00	34.00	17.00	9.75	47.00	30.80	9.30	6.80	3.36	2.48
				Intermediate	1100	28.20	17.70		16.55						
				Low	1100	16.10	15.00		29.35						
HMH72B481S	TP9C100C16MP13C	24.5	CM64D	High	1600	48.00	34.00	17.00	9.75	47.00	30.80	9.30	6.80	3.36	2.48
				Intermediate	1100	28.20	17.70		16.55						
				Low	1100	16.10	15.00		29.35						
HMH72B481S	YP9C100C16MP13C	24.5	CF64D	High	1600	48.00	34.00	17.00	9.75	47.00	30.80	9.30	6.80	3.36	2.48
				Intermediate	1100	28.20	17.70		16.55						
				Low	1100	16.10	15.00		29.35						
HMH72B481S	TM8V120C20MP12C	24.5	CF64D	High	1550	48.00	34.00	17.50	10.00	46.50	29.80	9.30	6.85	3.36	2.46
				Intermediate	1075	28.20	17.40		16.85						
				Low	1075	16.10	14.70		31.20						
HMH72B481S	TM8V100C20MP12C	24.5	CF64D	High	1550	48.00	34.00	17.50	10.00	46.50	29.80	9.30	6.85	3.36	2.46
				Intermediate	1075	28.20	17.40		16.85						
				Low	1075	16.10	14.70		31.20						
HMH72B481S	TMLV120C20MP12C	24.5	CF64D	High	1550	48.00	34.00	17.50	10.00	46.50	29.80	9.30	6.85	3.36	2.46
				Intermediate	1075	28.20	17.40		16.85						
				Low	1075	16.10	14.70		31.20						
HMH72B481S	TPLC100C20MP13C	24.5	CF64D	High	1550	48.00	34.00	17.50	10.00	46.50	29.80	9.30	6.85	3.36	2.46
				Intermediate	1075	28.20	17.40		16.85						
				Low	1075	16.10	14.70		31.20						
HMH72B481S	TPLC120C20MP13C	24.5	CF64D	High	1550	48.00	34.00	17.50	10.00	46.50	29.80	9.30	6.85	3.36	2.46
				Intermediate	1075	28.20	17.40		16.85						
				Low	1075	16.10	14.70		31.20						
HMH72B481S	YPLC100C20MP13C	24.5	CF64D	High	1550	48.00	34.00	17.50	10.00	46.50	29.80	9.30	6.85	3.36	2.46
				Intermediate	1075	28.20	17.40		16.85						
				Low	1075	16.10	14.70		31.20						
HMH72B481S	YPLC120C20MP13C	24.5	CF64D	High	1550	48.00	34.00	17.50	10.00	46.50	29.80	9.30	6.85	3.36	2.46
				Intermediate	1075	28.20	17.40		16.85						
				Low	1075	16.10	14.70		31.20						

**Table 9: Furnace capacity - 4 ton**

Outdoor unit model	Furnace model	Furnace width (in.)	Indoor coil model	Stage	Rated CFM	Net cool (MBH)	Sens cool (MBH)	SEER2	EER2	Net47 (MBH)	Net17 (MBH)	HSPF2 IV	HSPF2 V	Cop47	Cop17
HMH72B481S	TM8V120C20MP12C	24.5	CM64D	High	1550	48.00	34.00	17.50	10.00	46.50	29.80	9.30	6.85	3.36	2.46
				Intermediate	1075	28.20	17.40		16.85						
				Low	1075	16.10	14.70		31.20	17.50					
HMH72B481S	TM8V100C20MP12C	24.5	CM64D	High	1550	48.00	34.00	17.50	10.00	46.50	29.80	9.30	6.85	3.36	2.46
				Intermediate	1075	28.20	17.40		16.85						
				Low	1075	16.10	14.70		31.20	17.50					
HMH72B481S	TMLV120C20MP12C	24.5	CM64D	High	1550	48.00	34.00	17.50	10.00	46.50	29.80	9.30	6.85	3.36	2.46
				Intermediate	1075	28.20	17.40		16.85						
				Low	1075	16.10	14.70		31.20	17.50					
HMH72B481S	TPLC100C20MP13C	24.5	CM64D	High	1550	48.00	34.00	17.50	10.00	46.50	29.80	9.30	6.85	3.36	2.46
				Intermediate	1075	28.20	17.40		16.85						
				Low	1075	16.10	14.70		31.20	17.50					
HMH72B481S	TPLC120C20MP13C	24.5	CM64D	High	1550	48.00	34.00	17.50	10.00	46.50	29.80	9.30	6.85	3.36	2.46
				Intermediate	1075	28.20	17.40		16.85						
				Low	1075	16.10	14.70		31.20	17.50					
HMH72B481S	YPLC100C20MP13C	24.5	CM64D	High	1550	48.00	34.00	17.50	10.00	46.50	29.80	9.30	6.85	3.36	2.46
				Intermediate	1075	28.20	17.40		16.85						
				Low	1075	16.10	14.70		31.20	17.50					
HMH72B481S	YPLC120C20MP13C	24.5	CM64D	High	1550	48.00	34.00	17.50	10.00	46.50	29.80	9.30	6.85	3.36	2.46
				Intermediate	1075	28.20	17.40		16.85						
				Low	1075	16.10	14.70		31.20	17.50					
HMH72B481S	TM8E080C16MP11	24.5	CF64D	High	1575	48.00	34.00	17.25	9.75	46.50	30.20	9.30	6.80	3.32	2.44
				Intermediate	1025	28.00	16.90		16.75						
				Low	1025	16.00	14.30		31.25	17.40					
HMH72B481S	TMLE080C16MP11	24.5	CF64D	High	1575	48.00	34.00	17.25	9.75	46.50	30.20	9.30	6.80	3.32	2.44
				Intermediate	1025	28.00	16.90		16.75						
				Low	1025	16.00	14.30		31.25	17.40					
HMH72B481S	TM8E080C16MP11	24.5	CM64D	High	1575	48.00	34.00	17.25	9.75	46.50	30.20	9.30	6.80	3.32	2.44
				Intermediate	1025	28.00	16.90		16.75						
				Low	1025	16.00	14.30		31.25	17.40					
HMH72B481S	TMLE080C16MP11	24.5	CM64D	High	1575	48.00	34.00	17.25	9.75	46.50	30.20	9.30	6.80	3.32	2.44
				Intermediate	1025	28.00	16.90		16.75						
				Low	1025	16.00	14.30		31.25	17.40					
HMH72B481S	TM9Y120D20MP11	24.5	CF64D	High	1575	48.00	34.20	17.50	9.50	46.50	30.60	9.30	7.55	3.36	2.48
				Intermediate	1050	28.20	17.20		17.00						
				Low	1050	16.10	14.50		32.30	17.10					
HMH72B481S	TM9Y120D20MP11	24.5	CM64D	High	1575	48.00	34.20	17.50	9.50	46.50	30.60	9.30	7.55	3.36	2.48
				Intermediate	1050	28.20	17.20		17.00						
				Low	1050	16.10	14.50		32.30	17.10					
HMH72B481S	TM9Y080C16MP11	24.5	CF64D	High	1400	47.00	32.00	17.00	9.75	46.00	30.20	9.00	7.30	3.26	2.44
				Intermediate	725	26.60	13.50		16.35						
				Low	725	15.50	12.00		33.10	16.30					
HMH72B481S	TM9Y080C16MP11	24.5	CM64D	High	1400	47.00	32.00	17.00	9.75	46.00	30.20	9.00	7.30	3.26	2.44
				Intermediate	725	26.60	13.50		16.35						
				Low	725	15.50	12.00		33.10	16.30					
HMH72B481S	TM9E080C16MP12	24.5	CF64D	High	1575	48.00	34.00	17.00	9.50	47.00	31.20	9.00	7.20	3.30	2.44
				Intermediate	825	27.00	14.50		16.60						
				Low	825	15.70	12.80		33.30	16.50					
HMH72B481S	TM9E080C16MP12	24.5	CM64D	High	1575	48.00	34.00	17.00	9.50	47.00	31.20	9.00	7.20	3.30	2.44
				Intermediate	825	27.00	14.50		16.60						
				Low	825	15.70	12.80		33.30	16.50					
HMH72B481S	TM8Y120C20MP11	24.5	CF64D	High	1550	48.00	34.00	17.50	10.00	46.50	29.80	9.30	7.60	3.36	2.46
				Intermediate	1075	28.20	17.40		16.95						
				Low	1075	16.20	14.80		31.65	17.50					
HMH72B481S	TM8Y100C20MP11	24.5	CF64D	High	1550	48.00	34.00	17.50	10.00	46.50	29.80	9.30	7.60	3.36	2.46
				Intermediate	1075	28.20	17.40		16.95						
				Low	1075	16.20	14.80		31.65	17.50					
HMH72B481S	TM8Y120C20MP11	24.5	CM64D	High	1550	48.00	34.00	17.50	10.00	46.50	29.80	9.30	7.60	3.36	2.46
				Intermediate	1075	28.20	17.40		16.95						
				Low	1075	16.20	14.80		31.65	17.50					

**Table 9: Furnace capacity - 4 ton**

Outdoor unit model	Furnace model	Furnace width (in.)	Indoor coil model	Stage	Rated CFM	Net cool (MBH)	Sens cool (MBH)	SEER2	EER2	Net47 (MBH)	Net17 (MBH)	HSPF2 IV	HSPF2 V	Cop47	Cop17
HMH72B481S	TM8Y100C20MP11	24.5	CM64D	High	1550	48.00	34.00	17.50	10.00	46.50	29.80	9.30	7.60	3.36	2.46
				Intermediate	1075	28.20	17.40		16.95						
				Low	1075	16.20	14.80		31.65						
HMH72B481S	TM8Y080C16MP11	24.5	CF64D	High	1525	48.00	33.60	17.25	9.75	46.50	30.20	9.00	7.35	3.28	2.42
				Intermediate	775	26.80	14.00		16.75						
				Low	775	15.70	12.40		34.90						
HMH72B481S	TM8Y080C16MP11	24.5	CM64D	High	1525	48.00	33.60	17.25	9.75	46.50	30.20	9.00	7.35	3.28	2.42
				Intermediate	775	26.80	14.00		16.75						
				Low	775	15.70	12.40		34.90						
HMH72B481S	TM9Y100C16MP11	21.0	XAHC60H	High	1350	46.50	31.40	17.25	9.50	46.50	29.40	8.50	6.80	3.20	2.38
				Intermediate	675	26.20	12.80		16.70						
				Low	675	15.70	12.10		36.90						
HMH72B481S	TM9Y100C16MP11	21.0	XAHC60H	High	1350	46.50	31.40	17.25	9.50	46.50	29.40	8.50	6.80	3.20	2.38
				Intermediate	675	26.20	12.80		16.70						
				Low	675	15.70	12.10		36.90						
HMH72B481S	TM9Y080C16MP11	21.0	XAFC60H	High	1350	47.50	32.20	17.50	9.75	47.50	30.00	8.50	6.80	3.26	2.42
				Intermediate	750	27.00	14.00		16.85						
				Low	750	16.00	12.90		34.90						
HMH72B481S	TM9Y080C16MP11	21.0	XAFC60H	High	1350	47.50	32.20	17.50	9.75	47.50	30.00	8.50	6.80	3.26	2.42
				Intermediate	750	27.00	14.00		16.85						
				Low	750	16.00	12.90		34.90						
HMH72B481S	TM9V100C20MP12C	24.5	XAFD60J	High	1625	47.50	35.20	17.50	9.50	47.50	31.00	9.00	7.05	3.44	2.48
				Intermediate	1050	28.60	18.70		16.90						
				Low	1050	16.60	15.30		31.75						
HMH72B481S	TP9C100C20MP13C	24.5	XAFD60J	High	1625	47.50	35.20	17.50	9.50	47.50	31.00	9.00	7.05	3.44	2.48
				Intermediate	1050	28.60	18.70		16.90						
				Low	1050	16.60	15.30		31.75						
HMH72B481S	YP9C100C20MP13C	24.5	XAFD60J	High	1625	47.50	35.20	17.50	9.50	47.50	31.00	9.00	7.05	3.44	2.48
				Intermediate	1050	28.60	18.70		16.90						
				Low	1050	16.60	15.30		31.75						
HMH72B481S	TM9V100C20MP12C	24.5	XAFD60J	High	1625	47.50	35.20	17.50	9.50	47.50	31.00	9.00	7.05	3.44	2.48
				Intermediate	1050	28.60	18.70		16.90						
				Low	1050	16.60	15.30		31.75						
HMH72B481S	TP9C100C20MP13C	24.5	XAFD60J	High	1625	47.50	35.20	17.50	9.50	47.50	31.00	9.00	7.05	3.44	2.48
				Intermediate	1050	28.60	18.70		16.90						
				Low	1050	16.60	15.30		31.75						
HMH72B481S	YP9C100C20MP13C	24.5	XAFD60J	High	1625	47.50	35.20	17.50	9.50	47.50	31.00	9.00	7.05	3.44	2.48
				Intermediate	1050	28.60	18.70		16.90						
				Low	1050	16.60	15.30		31.75						
HMH72B481S	TM9V100C16MP12C	21.0	XAFC60H	High	1625	48.00	34.20	17.25	9.50	48.00	30.80	9.00	7.05	3.40	2.48
				Intermediate	1125	28.80	18.60		16.95						
				Low	1125	16.70	15.90		30.30						
HMH72B481S	TP9C100C16MP13C	21.0	XAFC60H	High	1625	48.00	34.20	17.25	9.50	48.00	30.80	9.00	7.05	3.40	2.48
				Intermediate	1125	28.80	18.60		16.95						
				Low	1125	16.70	15.90		30.30						
HMH72B481S	YP9C100C16MP13C	21.0	XAFC60H	High	1625	48.00	34.20	17.25	9.50	48.00	30.80	9.00	7.05	3.40	2.48
				Intermediate	1125	28.80	18.60		16.95						
				Low	1125	16.70	15.90		30.30						
HMH72B481S	TM9V100C16MP12C	21.0	XAFC60H	High	1625	48.00	34.20	17.25	9.50	48.00	30.80	9.00	7.05	3.40	2.48
				Intermediate	1125	28.80	18.60		16.95						
				Low	1125	16.70	15.90		30.30						
HMH72B481S	TP9C100C16MP13C	21.0	XAFC60H	High	1625	48.00	34.20	17.25	9.50	48.00	30.80	9.00	7.05	3.40	2.48
				Intermediate	1125	28.80	18.60		16.95						
				Low	1125	16.70	15.90		30.30						
HMH72B481S	TM9E080B12MP12	21.0	XAFC60H	High	1300	47.00	31.40	17.00	9.75	47.00	29.20	8.50	6.80	3.20	2.36
				Intermediate	975	28.00	16.80		16.50						
				Low	975	16.30	14.70		29.90						

**Table 9: Furnace capacity - 4 ton**

Outdoor unit model	Furnace model	Furnace width (in.)	Indoor coil model	Stage	Rated CFM	Net cool (MBH)	Sens cool (MBH)	SEER2	EER2	Net47 (MBH)	Net17 (MBH)	HSPF2 IV	HSPF2 V	Cop47	Cop17
HMH72B481S	TM9E080B12MP12	21.0	XAFC60H	High	1300	47.00	31.40	17.00	9.75	47.00	29.20	8.50	6.80	3.20	2.36
				Intermediate	975	28.00	16.80		16.50						
				Low	975	16.30	14.70		29.90	17.70				4.22	
HMH72B481S	TM8Y100C20MP11	21.0	XAHC60H	High	1475	47.00	32.60	17.50	9.75	47.00	29.00	8.50	6.70	3.26	2.38
				Intermediate	1050	28.00	17.30		16.90						
				Low	1050	16.30	14.90		32.30	17.40				4.36	
HMH72B481S	TM8Y100C20MP11	21.0	XAHC60H	High	1475	47.00	32.60	17.50	9.75	47.00	29.00	8.50	6.70	3.26	2.38
				Intermediate	1050	28.00	17.30		16.90						
				Low	1050	16.30	14.90		32.30	17.40				4.36	
HMH72B481S	TM8Y100C16MP11	21.0	XAFC60H	High	1500	48.00	33.40	18.25	9.75	48.00	29.80	9.00	7.05	3.30	2.42
				Intermediate	850	27.80	15.40		17.45						
				Low	850	16.40	13.70		37.40	17.00				4.32	
HMH72B481S	TM8Y080C16MP11	21.0	XAFC60H	High	1500	48.00	33.40	18.25	9.75	48.00	29.80	9.00	7.05	3.30	2.42
				Intermediate	850	27.80	15.40		17.45						
				Low	850	16.40	13.70		37.40	17.00				4.32	
HMH72B481S	TM8Y100C16MP11	21.0	XAFC60H	High	1500	48.00	33.40	18.25	9.75	48.00	29.80	9.00	7.05	3.30	2.42
				Intermediate	850	27.80	15.40		17.45						
				Low	850	16.40	13.70		37.40	17.00				4.32	
HMH72B481S	TM8Y080C16MP11	21.0	XAFC60H	High	1500	48.00	33.40	18.25	9.75	48.00	29.80	9.00	7.05	3.30	2.42
				Intermediate	850	27.80	15.40		17.45						
				Low	850	16.40	13.70		37.40	17.00				4.32	
HMH72B481S	TM8V120C20MP12C	24.5	XAFD60J	High	1550	47.50	34.80	18.00	9.75	47.00	29.80	9.00	7.10	3.44	2.48
				Intermediate	1075	28.80	19.00		17.20						
				Low	1075	16.70	15.50		33.00	17.80				4.46	
HMH72B481S	TM8V100C20MP12C	24.5	XAFD60J	High	1550	47.50	34.80	18.00	9.75	47.00	29.80	9.00	7.10	3.44	2.48
				Intermediate	1075	28.80	19.00		17.20						
				Low	1075	16.70	15.50		33.00	17.80				4.46	
HMH72B481S	TMLV120C20MP12C	24.5	XAFD60J	High	1550	47.50	34.80	18.00	9.75	47.00	29.80	9.00	7.10	3.44	2.48
				Intermediate	1075	28.80	19.00		17.20						
				Low	1075	16.70	15.50		33.00	17.80				4.46	
HMH72B481S	TPLC100C20MP13C	24.5	XAFD60J	High	1550	47.50	34.80	18.00	9.75	47.00	29.80	9.00	7.10	3.44	2.48
				Intermediate	1075	28.80	19.00		17.20						
				Low	1075	16.70	15.50		33.00	17.80				4.46	
HMH72B481S	TPLC120C20MP13C	24.5	XAFD60J	High	1550	47.50	34.80	18.00	9.75	47.00	29.80	9.00	7.10	3.44	2.48
				Intermediate	1075	28.80	19.00		17.20						
				Low	1075	16.70	15.50		33.00	17.80				4.46	
HMH72B481S	YPLC100C20MP13C	24.5	XAFD60J	High	1550	47.50	34.80	18.00	9.75	47.00	29.80	9.00	7.10	3.44	2.48
				Intermediate	1075	28.80	19.00		17.20						
				Low	1075	16.70	15.50		33.00	17.80				4.46	
HMH72B481S	YPLC120C20MP13C	24.5	XAFD60J	High	1550	47.50	34.80	18.00	9.75	47.00	29.80	9.00	7.10	3.44	2.48
				Intermediate	1075	28.80	19.00		17.20						
				Low	1075	16.70	15.50		33.00	17.80				4.46	
HMH72B481S	TM8V120C20MP12C	24.5	XAFD60J	High	1550	47.50	34.80	18.00	9.75	47.00	29.80	9.00	7.10	3.44	2.48
				Intermediate	1075	28.80	19.00		17.20						
				Low	1075	16.70	15.50		33.00	17.80				4.46	
HMH72B481S	TM8V100C20MP12C	24.5	XAFD60J	High	1550	47.50	34.80	18.00	9.75	47.00	29.80	9.00	7.10	3.44	2.48
				Intermediate	1075	28.80	19.00		17.20						
				Low	1075	16.70	15.50		33.00	17.80				4.46	
HMH72B481S	TMLV120C20MP12C	24.5	XAFD60J	High	1550	47.50	34.80	18.00	9.75	47.00	29.80	9.00	7.10	3.44	2.48
				Intermediate	1075	28.80	19.00		17.20						
				Low	1075	16.70	15.50		33.00	17.80				4.46	
HMH72B481S	TPLC100C20MP13C	24.5	XAFD60J	High	1550	47.50	34.80	18.00	9.75	47.00	29.80	9.00	7.10	3.44	2.48
				Intermediate	1075	28.80	19.00		17.20						
				Low	1075	16.70	15.50		33.00	17.80				4.46	
HMH72B481S	TPLC120C20MP13C	24.5	XAFD60J	High	1550	47.50	34.80	18.00	9.75	47.00	29.80	9.00	7.10	3.44	2.48
				Intermediate	1075	28.80	19.00		17.20						
				Low	1075	16.70	15.50		33.00	17.80				4.46	
HMH72B481S	YPLC100C20MP13C	24.5	XAFD60J	High	1550	47.50	34.80	18.00	9.75	47.00	29.80	9.00	7.10	3.44	2.48
				Intermediate	1075	28.80	19.00		17.20						
				Low	1075	16.70	15.50		33.00	17.80				4.46	

**Table 9: Furnace capacity - 4 ton**

Outdoor unit model	Furnace model	Furnace width (in.)	Indoor coil model	Stage	Rated CFM	Net cool (MBH)	Sens cool (MBH)	SEER2	EER2	Net47 (MBH)	Net17 (MBH)	HSPF2 IV	HSPF2 V	Cop47	Cop17
HMH72B481S	YPLC120C20MP13C	24.5	XAFD60J	High	1550	47.50	34.80	18.00	9.75	47.00	29.80	9.00	7.10	3.44	2.48
				Intermediate	1075	28.80	19.00		17.20						
				Low	1075	16.70	15.50		33.00					17.80	
HMH72B481S	TM8V100C16MP12C	24.5	XAHD60J	High	1425	46.00	32.80	17.25	9.50	45.50	29.00	8.50	6.70	3.28	2.40
				Intermediate	900	27.20	16.00		16.60						
				Low	900	16.00	13.90		33.05					16.90	
HMH72B481S	TM8V080C16MP12C	24.5	XAHD60J	High	1425	46.00	32.80	17.25	9.50	45.50	29.00	8.50	6.70	3.28	2.40
				Intermediate	900	27.20	16.00		16.60						
				Low	900	16.00	13.90		33.05					16.90	
HMH72B481S	TMLV100C16MP12C	24.5	XAHD60J	High	1425	46.00	32.80	17.25	9.50	45.50	29.00	8.50	6.70	3.28	2.40
				Intermediate	900	27.20	16.00		16.60						
				Low	900	16.00	13.90		33.05					16.90	
HMH72B481S	TPLC080C16MP13C	24.5	XAHD60J	High	1425	46.00	32.80	17.25	9.50	45.50	29.00	8.50	6.70	3.28	2.40
				Intermediate	900	27.20	16.00		16.60						
				Low	900	16.00	13.90		33.05					16.90	
HMH72B481S	TPLC100C16MP13C	24.5	XAHD60J	High	1425	46.00	32.80	17.25	9.50	45.50	29.00	8.50	6.70	3.28	2.40
				Intermediate	900	27.20	16.00		16.60						
				Low	900	16.00	13.90		33.05					16.90	
HMH72B481S	YPLC080C16MP13C	24.5	XAHD60J	High	1425	46.00	32.80	17.25	9.50	45.50	29.00	8.50	6.70	3.28	2.40
				Intermediate	900	27.20	16.00		16.60						
				Low	900	16.00	13.90		33.05					16.90	
HMH72B481S	YPLC100C16MP13C	24.5	XAHD60J	High	1425	46.00	32.80	17.25	9.50	45.50	29.00	8.50	6.70	3.28	2.40
				Intermediate	900	27.20	16.00		16.60						
				Low	900	16.00	13.90		33.05					16.90	
HMH72B481S	TM8V100C16MP12C	24.5	XAHD60J	High	1425	46.00	32.80	17.25	9.50	45.50	29.00	8.50	6.70	3.28	2.40
				Intermediate	900	27.20	16.00		16.60						
				Low	900	16.00	13.90		33.05					16.90	
HMH72B481S	TM8V080C16MP12C	24.5	XAHD60J	High	1425	46.00	32.80	17.25	9.50	45.50	29.00	8.50	6.70	3.28	2.40
				Intermediate	900	27.20	16.00		16.60						
				Low	900	16.00	13.90		33.05					16.90	
HMH72B481S	TMLV100C16MP12C	24.5	XAHD60J	High	1425	46.00	32.80	17.25	9.50	45.50	29.00	8.50	6.70	3.28	2.40
				Intermediate	900	27.20	16.00		16.60						
				Low	900	16.00	13.90		33.05					16.90	
HMH72B481S	TPLC080C16MP13C	24.5	XAHD60J	High	1425	46.00	32.80	17.25	9.50	45.50	29.00	8.50	6.70	3.28	2.40
				Intermediate	900	27.20	16.00		16.60						
				Low	900	16.00	13.90		33.05					16.90	
HMH72B481S	TPLC100C16MP13C	24.5	XAHD60J	High	1425	46.00	32.80	17.25	9.50	45.50	29.00	8.50	6.70	3.28	2.40
				Intermediate	900	27.20	16.00		16.60						
				Low	900	16.00	13.90		33.05					16.90	
HMH72B481S	YPLC080C16MP13C	24.5	XAHD60J	High	1425	46.00	32.80	17.25	9.50	45.50	29.00	8.50	6.70	3.28	2.40
				Intermediate	900	27.20	16.00		16.60						
				Low	900	16.00	13.90		33.05					16.90	
HMH72B481S	YPLC100C16MP13C	24.5	XAHD60J	High	1425	46.00	32.80	17.25	9.50	45.50	29.00	8.50	6.70	3.28	2.40
				Intermediate	900	27.20	16.00		16.60						
				Low	900	16.00	13.90		33.05					16.90	
HMH72B481S	TM8V080C16MP12C	24.5	XAFD60J	High	1425	47.00	33.40	17.75	9.75	46.50	29.60	9.00	7.15	3.36	2.44
				Intermediate	950	28.00	17.20		16.90						
				Low	950	16.40	14.60		32.80					17.40	
HMH72B481S	TM8V080C16MP12C	24.5	XAFD60J	High	1425	47.00	33.40	17.75	9.75	46.50	29.60	9.00	7.15	3.36	2.44
				Intermediate	950	28.00	17.20		16.90						
				Low	950	16.40	14.60		32.80					17.40	
HMH72B481S	TM8E100C16MP11	24.5	XAHD60J	High	1550	46.50	34.00	17.50	9.25	46.50	29.60	9.00	7.10	3.32	2.40
				Intermediate	875	27.20	15.80		16.80						
				Low	875	16.00	13.70		34.60					16.80	
HMH72B481S	TMLE100C16MP11	24.5	XAHD60J	High	1550	46.50	34.00	17.50	9.25	46.50	29.60	9.00	7.10	3.32	2.40
				Intermediate	875	27.20	15.80		16.80						
				Low	875	16.00	13.70		34.60					16.80	
HMH72B481S	TM8E100C16MP11	24.5	XAHD60J	High	1550	46.50	34.00	17.50	9.25	46.50	29.60	9.00	7.10	3.32	2.40
				Intermediate	875	27.20	15.80		16.80						
				Low	875	16.00	13.70		34.60					16.80	

**Table 9: Furnace capacity - 4 ton**

Outdoor unit model	Furnace model	Furnace width (in.)	Indoor coil model	Stage	Rated CFM	Net cool (MBH)	Sens cool (MBH)	SEER2	EER2	Net47 (MBH)	Net17 (MBH)	HSPF2 IV	HSPF2 V	Cop47	Cop17
HMH72B481S	TMLE100C16MP11	24.5	XAHD60J	High	1550	46.50	34.00	17.50	9.25	46.50	29.60	9.00	7.10	3.32	2.40
				Intermediate	875	27.20	15.80		16.80						
				Low	875	16.00	13.70		34.60						
HMH72B481S	TL8E100C20UH11	21.0	XAHC60H	High	1525	47.50	33.20	17.50	9.75	47.00	29.20	8.50	6.65	3.28	2.40
				Intermediate	1075	28.20	17.70		16.85						
				Low	1075	16.40	15.20		31.65						
HMH72B481S	TL8E100C20UH11	21.0	XAHC60H	High	1525	47.50	33.20	17.50	9.75	47.00	29.20	8.50	6.65	3.28	2.40
				Intermediate	1075	28.20	17.70		16.85						
				Low	1075	16.40	15.20		31.65						
HMH72B481S	TL8E080C16UH11	24.5	XAFD60J	High	1550	47.50	34.80	17.75	9.50	47.50	30.20	9.00	7.05	3.38	2.44
				Intermediate	1000	28.20	17.80		17.00						
				Low	1000	16.60	15.00		32.85						
HMH72B481S	TL8E080C16UH11	24.5	XAFD60J	High	1550	47.50	34.80	17.75	9.50	47.50	30.20	9.00	7.05	3.38	2.44
				Intermediate	1000	28.20	17.80		17.00						
				Low	1000	16.60	15.00		32.85						
HMH72B481S	TM8V080C16MP12C	21.0	XAHC60H	High	1400	46.50	31.80	17.50	9.50	46.50	29.00	7.50	5.85	3.18	2.34
				Intermediate	900	27.20	15.50		16.50						
				Low	900	16.00	13.80		32.00						
HMH72B481S	TM8V080C16MP12C	21.0	XAHC60H	High	1400	46.50	31.80	17.50	9.50	46.50	29.00	7.50	5.85	3.18	2.34
				Intermediate	900	27.20	15.50		16.50						
				Low	900	16.00	13.80		32.00						
HMH72B481S	TM9Y100C16MP11	24.5	XAFD60J	High	1400	46.50	32.80	17.50	9.75	46.50	30.20	9.00	7.20	3.34	2.46
				Intermediate	1025	28.40	18.30		16.80						
				Low	1025	16.50	15.10		31.50						
HMH72B481S	TM9Y100C16MP11	24.5	XAFD60J	High	1400	46.50	32.80	17.50	9.75	46.50	30.20	9.00	7.20	3.34	2.46
				Intermediate	1025	28.40	18.30		16.80						
				Low	1025	16.50	15.10		31.50						
HMH72B481S	TM9V120D20MP12C	24.5	XAHD60J	High	1650	47.00	35.00	17.50	9.50	47.00	30.40	9.00	7.15	3.40	2.46
				Intermediate	1025	27.80	17.70		16.80						
				Low	1025	16.30	14.90		32.70						
HMH72B481S	TP9C120D20MP13C	24.5	XAHD60J	High	1650	47.00	35.00	17.50	9.50	47.00	30.40	9.00	7.15	3.40	2.46
				Intermediate	1025	27.80	17.70		16.80						
				Low	1025	16.30	14.90		32.70						
HMH72B481S	YP9C120D20MP13C	24.5	XAHD60J	High	1650	47.00	35.00	17.50	9.50	47.00	30.40	9.00	7.15	3.40	2.46
				Intermediate	1025	27.80	17.70		16.80						
				Low	1025	16.30	14.90		32.70						
HMH72B481S	TM9V120D20MP12C	24.5	XAHD60J	High	1650	47.00	35.00	17.50	9.50	47.00	30.40	9.00	7.15	3.40	2.46
				Intermediate	1025	27.80	17.70		16.80						
				Low	1025	16.30	14.90		32.70						
HMH72B481S	TP9C120D20MP13C	24.5	XAHD60J	High	1650	47.00	35.00	17.50	9.50	47.00	30.40	9.00	7.15	3.40	2.46
				Intermediate	1025	27.80	17.70		16.80						
				Low	1025	16.30	14.90		32.70						
HMH72B481S	YP9C120D20MP13C	24.5	XAHD60J	High	1650	47.00	35.00	17.50	9.50	47.00	30.40	9.00	7.15	3.40	2.46
				Intermediate	1025	27.80	17.70		16.80						
				Low	1025	16.30	14.90		32.70						
HMH72B481S	TM9V100C20MP12C	21.0	XAFD60H	High	1650	48.00	34.20	17.50	9.50	48.00	31.00	9.00	7.15	3.40	2.48
				Intermediate	1050	28.60	17.80		17.00						
				Low	1050	16.60	15.30		31.60						
HMH72B481S	TP9C100C20MP13C	21.0	XAFD60H	High	1650	48.00	34.20	17.50	9.50	48.00	31.00	9.00	7.15	3.40	2.48
				Intermediate	1050	28.60	17.80		17.00						
				Low	1050	16.60	15.30		31.60						
HMH72B481S	YP9C100C20MP13C	21.0	XAFD60H	High	1650	48.00	34.20	17.50	9.50	48.00	31.00	9.00	7.15	3.40	2.48
				Intermediate	1050	28.60	17.80		17.00						
				Low	1050	16.60	15.30		31.60						
HMH72B481S	TM9V100C20MP12C	21.0	XAFD60H	High	1650	48.00	34.20	17.50	9.50	48.00	31.00	9.00	7.15	3.40	2.48
				Intermediate	1050	28.60	17.80		17.00						
				Low	1050	16.60	15.30		31.60						
HMH72B481S	TP9C100C20MP13C	21.0	XAFD60H	High	1650	48.00	34.20	17.50	9.50	48.00	31.00	9.00	7.15	3.40	2.48
				Intermediate	1050	28.60	17.80		17.00						
				Low	1050	16.60	15.30		31.60						



**Table 9: Furnace capacity - 4 ton**

Outdoor unit model	Furnace model	Furnace width (in.)	Indoor coil model	Stage	Rated CFM	Net cool (MBH)	Sens cool (MBH)	SEER2	EER2	Net47 (MBH)	Net17 (MBH)	HSPF2 IV	HSPF2 V	Cop47	Cop17
HMH72B481S	YP9C100C20MP13C	21.0	XAFC60H	High	1650	48.00	34.20	17.50	9.50	48.00	31.00	9.00	7.15	3.40	2.48
				Intermediate	1050	28.60	17.80		17.00						
				Low	1050	16.60	15.30		31.60						
HMH72B481S	TM8Y120C20MP11	24.5	XAHD60J	High	1525	46.50	33.80	17.50	9.50	46.00	29.20	9.00	7.15	3.36	2.42
				Intermediate	1050	28.00	18.10		16.85						
				Low	1050	16.30	15.00		32.60						
HMH72B481S	TM8Y100C20MP11	24.5	XAHD60J	High	1525	46.50	33.80	17.50	9.50	46.00	29.20	9.00	7.15	3.36	2.42
				Intermediate	1050	28.00	18.10		16.85						
				Low	1050	16.30	15.00		32.60						
HMH72B481S	TM8Y120C20MP11	24.5	XAHD60J	High	1525	46.50	33.80	17.50	9.50	46.00	29.20	9.00	7.15	3.36	2.42
				Intermediate	1050	28.00	18.10		16.85						
				Low	1050	16.30	15.00		32.60						
HMH72B481S	TM8Y100C20MP11	24.5	XAHD60J	High	1525	46.50	33.80	17.50	9.50	46.00	29.20	9.00	7.15	3.36	2.42
				Intermediate	1050	28.00	18.10		16.85						
				Low	1050	16.30	15.00		32.60						
HMH72B481S	TM8Y100C20MP11	24.5	XAHD60J	High	1525	46.50	33.80	17.50	9.50	46.00	29.20	9.00	7.15	3.36	2.42
				Intermediate	1050	28.00	18.10		16.85						
				Low	1050	16.30	15.00		32.60						
HMH72B481S	TM8Y100C20MP11	24.5	XAHD60J	High	1525	46.50	33.80	17.50	9.50	46.00	29.20	9.00	7.15	3.36	2.42
				Intermediate	1050	28.00	18.10		16.85						
				Low	1050	16.30	15.00		32.60						
HMH72B481S	TM8Y100C20MP11	24.5	XAHD60J	High	1525	46.50	33.80	17.50	9.50	46.00	29.20	9.00	7.15	3.36	2.42
				Intermediate	1050	28.00	18.10		16.85						
				Low	1050	16.30	15.00		32.60						
HMH72B481S	TM8Y100C20MP11	24.5	XAHD60J	High	1525	46.50	33.80	17.50	9.50	46.00	29.20	9.00	7.15	3.36	2.42
				Intermediate	1050	28.00	18.10		16.85						
				Low	1050	16.30	15.00		32.60						
HMH72B481S	TM8Y100C20MP11	24.5	XAHD60J	High	1525	46.50	33.80	17.50	9.50	46.00	29.20	9.00	7.15	3.36	2.42
				Intermediate	1050	28.00	18.10		16.85						
				Low	1050	16.30	15.00		32.60						
HMH72B481S	TM8Y080C16MP11	24.5	XAHD60J	High	1500	46.00	33.20	17.50	9.25	46.00	29.60	8.50	6.80	3.28	2.38
				Intermediate	775	26.80	14.50		16.75						
				Low	775	15.90	13.10		36.00						
HMH72B481S	TM8Y080C16MP11	24.5	XAHD60J	High	1500	46.00	33.20	17.50	9.25	46.00	29.60	8.50	6.80	3.28	2.38
				Intermediate	775	26.80	14.50		16.75						
				Low	775	15.90	13.10		36.00						
HMH72B481S	TM8V120C20MP12C	21.0	XAFC60H	High	1400	48.00	33.00	18.00	10.00	47.00	29.20	9.00	7.15	3.32	2.44
				Intermediate	975	28.20	16.80		17.25						
				Low	975	16.60	14.70		34.15						
HMH72B481S	TM8V100C20MP12C	21.0	XAFC60H	High	1400	48.00	33.00	18.00	10.00	47.00	29.20	9.00	7.15	3.32	2.44
				Intermediate	975	28.20	16.80		17.25						
				Low	975	16.60	14.70		34.15						
HMH72B481S	TMLV120C20MP12C	21.0	XAFC60H	High	1400	48.00	33.00	18.00	10.00	47.00	29.20	9.00	7.15	3.32	2.44
				Intermediate	975	28.20	16.80		17.25						
				Low	975	16.60	14.70		34.15						
HMH72B481S	TPLC100C20MP13C	21.0	XAFC60H	High	1400	48.00	33.00	18.00	10.00	47.00	29.20	9.00	7.15	3.32	2.44
				Intermediate	975	28.20	16.80		17.25						
				Low	975	16.60	14.70		34.15						
HMH72B481S	TPLC120C20MP13C	21.0	XAFC60H	High	1400	48.00	33.00	18.00	10.00	47.00	29.20	9.00	7.15	3.32	2.44
				Intermediate	975	28.20	16.80		17.25						
				Low	975	16.60	14.70		34.15						
HMH72B481S	YPLC100C20MP13C	21.0	XAFC60H	High	1400	48.00	33.00	18.00	10.00	47.00	29.20	9.00	7.15	3.32	2.44
				Intermediate	975	28.20	16.80		17.25						
				Low	975	16.60	14.70		34.15						
HMH72B481S	YPLC120C20MP13C	21.0	XAFC60H	High	1400	48.00	33.00	18.00	10.00	47.00	29.20	9.00	7.15	3.32	2.44
				Intermediate	975	28.20	16.80		17.25						
				Low	975	16.60	14.70		34.15						
HMH72B481S	TM8V120C20MP12C	21.0	XAFC60H	High	1400	48.00	33.00	18.00	10.00	47.00	29.20	9.00	7.15	3.32	2.44
				Intermediate	975	28.20	16.80		17.25						
				Low	975	16.60	14.70		34.15						
HMH72B481S	TM8V100C20MP12C	21.0	XAFC60H	High	1400	48.00	33.00	18.00	10.00	47.00	29.20	9.00	7.15	3.32	2.44
				Intermediate	975	28.20	16.80		17.25						
				Low	975	16.60	14.70		34.15						
HMH72B481S	TMLV120C20MP12C	21.0	XAFC60H	High	1400	48.00	33.00	18.00	10.00	47.00	29.20	9.00	7.15	3.32	2.44
				Intermediate	975	28.20	16.80		17.25						
				Low	975	16.60	14.70		34.15						
HMH72B481S	TPLC100C20MP13C	21.0	XAFC60H	High	1400	48.00	33.00	18.00	10.00	47.00	29.20	9.00	7.15	3.32	2.44
				Intermediate	975	28.20	16.80		17.25						
				Low	975	16.60	14.70		34.15						

**Table 9: Furnace capacity - 4 ton**

Outdoor unit model	Furnace model	Furnace width (in.)	Indoor coil model	Stage	Rated CFM	Net cool (MBH)	Sens cool (MBH)	SEER2	EER2	Net47 (MBH)	Net17 (MBH)	HSPF2 IV	HSPF2 V	Cop47	Cop17
HMH72B481S	TPLC120C20MP13C	21.0	XAFC60H	High	1400	48.00	33.00	18.00	10.00	47.00	29.20	9.00	7.15	3.32	2.44
				Intermediate	975	28.20	16.80		17.25						
				Low	975	16.60	14.70		34.15	17.50					
HMH72B481S	YPLC100C20MP13C	21.0	XAFC60H	High	1400	48.00	33.00	18.00	10.00	47.00	29.20	9.00	7.15	3.32	2.44
				Intermediate	975	28.20	16.80		17.25						
				Low	975	16.60	14.70		34.15	17.50					
HMH72B481S	YPLC120C20MP13C	21.0	XAFC60H	High	1400	48.00	33.00	18.00	10.00	47.00	29.20	9.00	7.15	3.32	2.44
				Intermediate	975	28.20	16.80		17.25						
				Low	975	16.60	14.70		34.15	17.50					
HMH72B481S	TM8V100C16MP12C	21.0	XAHC60H	High	1450	47.00	32.40	17.25	9.50	46.50	29.00	8.50	6.75	3.24	2.38
				Intermediate	975	27.60	16.40		16.55						
				Low	975	16.10	14.40		31.35	17.20					
HMH72B481S	TMLV100C16MP12C	21.0	XAHC60H	High	1450	47.00	32.40	17.25	9.50	46.50	29.00	8.50	6.75	3.24	2.38
				Intermediate	975	27.60	16.40		16.55						
				Low	975	16.10	14.40		31.35	17.20					
HMH72B481S	TPLC080C16MP13C	21.0	XAHC60H	High	1450	47.00	32.40	17.25	9.50	46.50	29.00	8.50	6.75	3.24	2.38
				Intermediate	975	27.60	16.40		16.55						
				Low	975	16.10	14.40		31.35	17.20					
HMH72B481S	TPLC100C16MP13C	21.0	XAHC60H	High	1450	47.00	32.40	17.25	9.50	46.50	29.00	8.50	6.75	3.24	2.38
				Intermediate	975	27.60	16.40		16.55						
				Low	975	16.10	14.40		31.35	17.20					
HMH72B481S	YPLC080C16MP13C	21.0	XAHC60H	High	1450	47.00	32.40	17.25	9.50	46.50	29.00	8.50	6.75	3.24	2.38
				Intermediate	975	27.60	16.40		16.55						
				Low	975	16.10	14.40		31.35	17.20					
HMH72B481S	YPLC100C16MP13C	21.0	XAHC60H	High	1450	47.00	32.40	17.25	9.50	46.50	29.00	8.50	6.75	3.24	2.38
				Intermediate	975	27.60	16.40		16.55						
				Low	975	16.10	14.40		31.35	17.20					
HMH72B481S	TM8V100C16MP12C	21.0	XAHC60H	High	1450	47.00	32.40	17.25	9.50	46.50	29.00	8.50	6.75	3.24	2.38
				Intermediate	975	27.60	16.40		16.55						
				Low	975	16.10	14.40		31.35	17.20					
HMH72B481S	TMLV100C16MP12C	21.0	XAHC60H	High	1450	47.00	32.40	17.25	9.50	46.50	29.00	8.50	6.75	3.24	2.38
				Intermediate	975	27.60	16.40		16.55						
				Low	975	16.10	14.40		31.35	17.20					
HMH72B481S	TPLC080C16MP13C	21.0	XAHC60H	High	1450	47.00	32.40	17.25	9.50	46.50	29.00	8.50	6.75	3.24	2.38
				Intermediate	975	27.60	16.40		16.55						
				Low	975	16.10	14.40		31.35	17.20					
HMH72B481S	TPLC100C16MP13C	21.0	XAHC60H	High	1450	47.00	32.40	17.25	9.50	46.50	29.00	8.50	6.75	3.24	2.38
				Intermediate	975	27.60	16.40		16.55						
				Low	975	16.10	14.40		31.35	17.20					
HMH72B481S	YPLC080C16MP13C	21.0	XAHC60H	High	1450	47.00	32.40	17.25	9.50	46.50	29.00	8.50	6.75	3.24	2.38
				Intermediate	975	27.60	16.40		16.55						
				Low	975	16.10	14.40		31.35	17.20					
HMH72B481S	YPLC100C16MP13C	21.0	XAHC60H	High	1450	47.00	32.40	17.25	9.50	46.50	29.00	8.50	6.75	3.24	2.38
				Intermediate	975	27.60	16.40		16.55						
				Low	975	16.10	14.40		31.35	17.20					
HMH72B481S	TM8V080C16MP12C	21.0	XAFC60H	High	1425	48.00	33.00	17.75	9.75	47.50	29.40	9.00	7.05	3.30	2.42
				Intermediate	950	28.00	16.50		17.00						
				Low	950	16.40	14.50		33.00	17.50					
HMH72B481S	TM8V080C16MP12C	21.0	XAFC60H	High	1425	48.00	33.00	17.75	9.75	47.50	29.40	9.00	7.05	3.30	2.42
				Intermediate	950	28.00	16.50		17.00						
				Low	950	16.40	14.50		33.00	17.50					
HMH72B481S	TM8E100C16MP11	24.5	XAFD60J	High	1575	47.50	34.80	17.75	9.50	47.50	30.20	9.00	7.05	3.40	2.44
				Intermediate	875	27.80	16.20		17.10						
				Low	875	16.40	14.10		35.30	17.10					
HMH72B481S	TMLE100C16MP11	24.5	XAFD60J	High	1575	47.50	34.80	17.75	9.50	47.50	30.20	9.00	7.05	3.40	2.44
				Intermediate	875	27.80	16.20		17.10						
				Low	875	16.40	14.10		35.30	17.10					
HMH72B481S	TM8E100C16MP11	24.5	XAFD60J	High	1575	47.50	34.80	17.75	9.50	47.50	30.20	9.00	7.05	3.40	2.44
				Intermediate	875	27.80	16.20		17.10						
				Low	875	16.40	14.10		35.30	17.10					

**Table 9: Furnace capacity - 4 ton**

Outdoor unit model	Furnace model	Furnace width (in.)	Indoor coil model	Stage	Rated CFM	Net cool (MBH)	Sens cool (MBH)	SEER2	EER2	Net47 (MBH)	Net17 (MBH)	HSPF2 IV	HSPF2 V	Cop47	Cop17
HMH72B481S	TMLE100C16MP11	24.5	XAFD60J	High	1575	47.50	34.80	17.75	9.50	47.50	30.20	9.00	7.05	3.40	2.44
				Intermediate	875	27.80	16.20		17.10						
				Low	875	16.40	14.10		35.30	17.10					
HMH72B481S	TL9E080C16UH11	24.5	XAHD60J	High	1375	45.50	32.00	17.25	9.50	45.50	29.00	8.50	6.80	3.24	2.38
				Intermediate	950	27.40	16.70		16.55						
				Low	950	16.10	14.30		32.10	17.10					
HMH72B481S	TL9E080C16UH11	24.5	XAHD60J	High	1375	45.50	32.00	17.25	9.50	45.50	29.00	8.50	6.80	3.24	2.38
				Intermediate	950	27.40	16.70		16.55						
				Low	950	16.10	14.30		32.10	17.10					
HMH72B481S	TL8E100C20UH11	24.5	XAFD60J	High	1600	48.00	35.60	18.00	9.75	47.50	30.00	9.00	7.10	3.46	2.48
				Intermediate	1100	28.80	19.20		17.25						
				Low	1100	16.80	15.70		33.00	17.90					
HMH72B481S	TL8E100C20UH11	24.5	XAFD60J	High	1600	48.00	35.60	18.00	9.75	47.50	30.00	9.00	7.10	3.46	2.48
				Intermediate	1100	28.80	19.20		17.25						
				Low	1100	16.80	15.70		33.00	17.90					
HMH72B481S	TL8E080C16UH11	21.0	XAFC60H	High	1350	47.50	32.20	17.75	10.00	47.00	29.20	9.00	7.10	3.26	2.42
				Intermediate	1000	28.40	17.20		17.10						
				Low	1000	16.50	14.80		32.70	17.60					
HMH72B481S	TL8E080C16UH11	21.0	XAFC60H	High	1350	47.50	32.20	17.75	10.00	47.00	29.20	9.00	7.10	3.26	2.42
				Intermediate	1000	28.40	17.20		17.10						
				Low	1000	16.50	14.80		32.70	17.60					
HMH72B481S	TM9V120D20MP12C	24.5	XAFD60J	High	1650	48.00	35.80	18.00	9.75	47.50	30.80	9.30	6.70	3.48	2.50
				Intermediate	1025	28.40	18.20		17.20						
				Low	1025	16.60	15.10		33.65	17.30					
HMH72B481S	TP9C120D20MP13C	24.5	XAFD60J	High	1650	48.00	35.80	18.00	9.75	47.50	30.80	9.30	6.70	3.48	2.50
				Intermediate	1025	28.40	18.20		17.20						
				Low	1025	16.60	15.10		33.65	17.30					
HMH72B481S	YP9C120D20MP13C	24.5	XAFD60J	High	1650	48.00	35.80	18.00	9.75	47.50	30.80	9.30	6.70	3.48	2.50
				Intermediate	1025	28.40	18.20		17.20						
				Low	1025	16.60	15.10		33.65	17.30					
HMH72B481S	TM9V120D20MP12C	24.5	XAFD60J	High	1650	48.00	35.80	18.00	9.75	47.50	30.80	9.30	6.70	3.48	2.50
				Intermediate	1025	28.40	18.20		17.20						
				Low	1025	16.60	15.10		33.65	17.30					
HMH72B481S	TP9C120D20MP13C	24.5	XAFD60J	High	1650	48.00	35.80	18.00	9.75	47.50	30.80	9.30	6.70	3.48	2.50
				Intermediate	1025	28.40	18.20		17.20						
				Low	1025	16.60	15.10		33.65	17.30					
HMH72B481S	YP9C120D20MP13C	24.5	XAFD60J	High	1650	48.00	35.80	18.00	9.75	47.50	30.80	9.30	6.70	3.48	2.50
				Intermediate	1025	28.40	18.20		17.20						
				Low	1025	16.60	15.10		33.65	17.30					
HMH72B481S	TM8Y100C20MP11	21.0	XAFC60H	High	1400	47.50	32.40	18.00	9.50	47.50	29.60	7.50	5.50	3.26	2.40
				Intermediate	1000	28.20	17.10		16.90						
				Low	1000	16.50	14.90		31.75	4.50					
HMH72B481S	TM8Y100C20MP11	21.0	XAFC60H	High	1400	47.50	32.40	18.00	9.50	47.50	29.60	7.50	5.50	3.26	2.40
				Intermediate	1000	28.20	17.10		16.90						
				Low	1000	16.50	14.90		31.75	4.50					
HMH72B481S	TM9Y100C16MP11	21.0	XAFC60H	High	1375	47.50	32.20	17.75	9.75	47.00	30.00	8.50	6.75	3.28	2.44
				Intermediate	700	27.00	13.50		17.15						
				Low	700	16.10	12.60		38.15	16.20					
HMH72B481S	TM9Y100C16MP11	21.0	XAFC60H	High	1375	47.50	32.20	17.75	9.75	47.00	30.00	8.50	6.75	3.28	2.44
				Intermediate	700	27.00	13.50		17.15						
				Low	700	16.10	12.60		38.15	16.20					
HMH72B481S	TM9V080C16MP12C	24.5	XAHD60J	High	1475	46.00	33.00	17.00	9.25	46.00	30.00	8.75	7.00	3.28	2.40
				Intermediate	950	27.40	16.70		16.35						
				Low	950	16.10	14.40		31.05	16.80					
HMH72B481S	TP9C080C16MP13C	24.5	XAHD60J	High	1475	46.00	33.00	17.00	9.25	46.00	30.00	8.75	7.00	3.28	2.40
				Intermediate	950	27.40	16.70		16.35						
				Low	950	16.10	14.40		31.05	16.80					
HMH72B481S	YP9C080C16MP13C	24.5	XAHD60J	High	1475	46.00	33.00	17.00	9.25	46.00	30.00	8.75	7.00	3.28	2.40
				Intermediate	950	27.40	16.70		16.35						
				Low	950	16.10	14.40		31.05	16.80					

**Table 9: Furnace capacity - 4 ton**

Outdoor unit model	Furnace model	Furnace width (in.)	Indoor coil model	Stage	Rated CFM	Net cool (MBH)	Sens cool (MBH)	SEER2	EER2	Net47 (MBH)	Net17 (MBH)	HSPF2 IV	HSPF2 V	Cop47	Cop17
HMH72B481S	TM9V080C16MP12C	24.5	XAHD60J	High	1475	46.00	33.00	17.00	9.25	46.00	30.00	8.75	7.00	3.28	2.40
				Intermediate	950	27.40	16.70		16.35						
				Low	950	16.10	14.40		31.05						
HMH72B481S	TP9C080C16MP13C	24.5	XAHD60J	High	1475	46.00	33.00	17.00	9.25	46.00	30.00	8.75	7.00	3.28	2.40
				Intermediate	950	27.40	16.70		16.35						
				Low	950	16.10	14.40		31.05						
HMH72B481S	YP9C080C16MP13C	24.5	XAHD60J	High	1475	46.00	33.00	17.00	9.25	46.00	30.00	8.75	7.00	3.28	2.40
				Intermediate	950	27.40	16.70		16.35						
				Low	950	16.10	14.40		31.05						
HMH72B481S	TM8Y120C20MP11	21.0	XAHC60H	High	1475	47.00	32.60	17.50	9.75	47.00	29.00	8.50	6.70	3.26	2.38
				Intermediate	1050	28.00	17.30		16.90						
				Low	1050	16.30	14.90		32.30						
HMH72B481S	TM8Y120C20MP11	21.0	XAHC60H	High	1475	47.00	32.60	17.50	9.75	47.00	29.00	8.50	6.70	3.26	2.38
				Intermediate	1050	28.00	17.30		16.90						
				Low	1050	16.30	14.90		32.30						
HMH72B481S	TM8Y080C16MP11	21.0	XAHC60H	High	1300	46.50	31.20	17.50	9.75	46.00	28.40	8.50	6.65	3.18	2.36
				Intermediate	775	26.80	14.10		16.80						
				Low	775	15.90	12.90		35.95						
HMH72B481S	TM8Y080C16MP11	21.0	XAHC60H	High	1300	46.50	31.20	17.50	9.75	46.00	28.40	8.50	6.65	3.18	2.36
				Intermediate	775	26.80	14.10		16.80						
				Low	775	15.90	12.90		35.95						
HMH72B481S	TM8V100C16MP12C	24.5	XAFD60J	High	1425	47.00	33.40	17.75	9.75	46.50	29.60	9.00	7.15	3.36	2.44
				Intermediate	900	27.80	16.50		16.95						
				Low	900	16.40	14.30		33.85						
HMH72B481S	TMLV100C16MP12C	24.5	XAFD60J	High	1425	47.00	33.40	17.75	9.75	46.50	29.60	9.00	7.15	3.36	2.44
				Intermediate	900	27.80	16.50		16.95						
				Low	900	16.40	14.30		33.85						
HMH72B481S	TPLC080C16MP13C	24.5	XAFD60J	High	1425	47.00	33.40	17.75	9.75	46.50	29.60	9.00	7.15	3.36	2.44
				Intermediate	900	27.80	16.50		16.95						
				Low	900	16.40	14.30		33.85						
HMH72B481S	TPLC100C16MP13C	24.5	XAFD60J	High	1425	47.00	33.40	17.75	9.75	46.50	29.60	9.00	7.15	3.36	2.44
				Intermediate	900	27.80	16.50		16.95						
				Low	900	16.40	14.30		33.85						
HMH72B481S	YPLC080C16MP13C	24.5	XAFD60J	High	1425	47.00	33.40	17.75	9.75	46.50	29.60	9.00	7.15	3.36	2.44
				Intermediate	900	27.80	16.50		16.95						
				Low	900	16.40	14.30		33.85						
HMH72B481S	YPLC100C16MP13C	24.5	XAFD60J	High	1425	47.00	33.40	17.75	9.75	46.50	29.60	9.00	7.15	3.36	2.44
				Intermediate	900	27.80	16.50		16.95						
				Low	900	16.40	14.30		33.85						
HMH72B481S	TM8V100C16MP12C	24.5	XAFD60J	High	1425	47.00	33.40	17.75	9.75	46.50	29.60	9.00	7.15	3.36	2.44
				Intermediate	900	27.80	16.50		16.95						
				Low	900	16.40	14.30		33.85						
HMH72B481S	TMLV100C16MP12C	24.5	XAFD60J	High	1425	47.00	33.40	17.75	9.75	46.50	29.60	9.00	7.15	3.36	2.44
				Intermediate	900	27.80	16.50		16.95						
				Low	900	16.40	14.30		33.85						
HMH72B481S	TPLC080C16MP13C	24.5	XAFD60J	High	1425	47.00	33.40	17.75	9.75	46.50	29.60	9.00	7.15	3.36	2.44
				Intermediate	900	27.80	16.50		16.95						
				Low	900	16.40	14.30		33.85						
HMH72B481S	TPLC100C16MP13C	24.5	XAFD60J	High	1425	47.00	33.40	17.75	9.75	46.50	29.60	9.00	7.15	3.36	2.44
				Intermediate	900	27.80	16.50		16.95						
				Low	900	16.40	14.30		33.85						
HMH72B481S	YPLC080C16MP13C	24.5	XAFD60J	High	1425	47.00	33.40	17.75	9.75	46.50	29.60	9.00	7.15	3.36	2.44
				Intermediate	900	27.80	16.50		16.95						
				Low	900	16.40	14.30		33.85						
HMH72B481S	YPLC100C16MP13C	24.5	XAFD60J	High	1425	47.00	33.40	17.75	9.75	46.50	29.60	9.00	7.15	3.36	2.44
				Intermediate	900	27.80	16.50		16.95						
				Low	900	16.40	14.30		33.85						
HMH72B481S	TM8E120C16MP11	24.5	XAHD60J	High	1575	46.50	34.20	17.50	9.50	46.50	29.60	9.00	7.05	3.34	2.40
				Intermediate	900	27.40	16.20		16.85						
				Low	900	16.10	14.00		34.70						

**Table 9: Furnace capacity - 4 ton**

Outdoor unit model	Furnace model	Furnace width (in.)	Indoor coil model	Stage	Rated CFM	Net cool (MBH)	Sens cool (MBH)	SEER2	EER2	Net47 (MBH)	Net17 (MBH)	HSPF2 IV	HSPF2 V	Cop47	Cop17
HMH72B481S	TMLE120C16MP11	24.5	XAHD60J	High	1575	46.50	34.20	17.50	9.50	46.50	29.60	9.00	7.05	3.34	2.40
				Intermediate	900	27.40	16.20		16.85						
				Low	900	16.10	14.00		34.70						
HMH72B481S	TM8E120C16MP11	24.5	XAHD60J	High	1575	46.50	34.20	17.50	9.50	46.50	29.60	9.00	7.05	3.34	2.40
				Intermediate	900	27.40	16.20		16.85						
				Low	900	16.10	14.00		34.70						
HMH72B481S	TMLE120C16MP11	24.5	XAHD60J	High	1575	46.50	34.20	17.50	9.50	46.50	29.60	9.00	7.05	3.34	2.40
				Intermediate	900	27.40	16.20		16.85						
				Low	900	16.10	14.00		34.70						
HMH72B481S	TM8E100C16MP11	21.0	XAFC60H	High	1525	48.00	33.60	18.00	9.75	48.00	30.00	9.00	7.05	3.32	2.42
				Intermediate	900	28.00	16.00		17.35						
				Low	900	16.40	14.10		35.75						
HMH72B481S	TMLE100C16MP11	21.0	XAFC60H	High	1525	48.00	33.60	18.00	9.75	48.00	30.00	9.00	7.05	3.32	2.42
				Intermediate	900	28.00	16.00		17.35						
				Low	900	16.40	14.10		35.75						
HMH72B481S	TM8E100C16MP11	21.0	XAFC60H	High	1525	48.00	33.60	18.00	9.75	48.00	30.00	9.00	7.05	3.32	2.42
				Intermediate	900	28.00	16.00		17.35						
				Low	900	16.40	14.10		35.75						
HMH72B481S	TMLE100C16MP11	21.0	XAFC60H	High	1525	48.00	33.60	18.00	9.75	48.00	30.00	9.00	7.05	3.32	2.42
				Intermediate	900	28.00	16.00		17.35						
				Low	900	16.40	14.10		35.75						
HMH72B481S	TL9E080C16UH11	21.0	XAHC60H	High	1350	46.50	31.40	17.25	9.50	46.50	28.80	8.50	6.75	3.18	2.34
				Intermediate	925	27.40	15.90		16.55						
				Low	925	16.00	14.00		31.85						
HMH72B481S	TL9E080C16UH11	21.0	XAHC60H	High	1350	46.50	31.40	17.25	9.50	46.50	28.80	8.50	6.75	3.18	2.34
				Intermediate	925	27.40	15.90		16.55						
				Low	925	16.00	14.00		31.85						
HMH72B481S	TL8E100C20UH11	21.0	XAFC60H	High	1550	48.00	33.80	18.00	10.00	48.00	29.80	9.00	7.10	3.36	2.46
				Intermediate	1100	28.80	18.30		17.35						
				Low	1100	16.80	15.70		32.70						
HMH72B481S	TL8E100C20UH11	21.0	XAFC60H	High	1550	48.00	33.80	18.00	10.00	48.00	29.80	9.00	7.10	3.36	2.46
				Intermediate	1100	28.80	18.30		17.35						
				Low	1100	16.80	15.70		32.70						
HMH72B481S	TM8E120C16MP11	24.5	XAFD60J	High	1575	47.50	34.80	18.00	9.75	47.00	30.20	9.30	6.70	3.40	2.46
				Intermediate	900	27.80	16.40		17.20						
				Low	900	16.40	14.20		35.45						
HMH72B481S	TMLE120C16MP11	24.5	XAFD60J	High	1575	47.50	34.80	18.00	9.75	47.00	30.20	9.30	6.70	3.40	2.46
				Intermediate	900	27.80	16.40		17.20						
				Low	900	16.40	14.20		35.45						
HMH72B481S	TM8E120C16MP11	24.5	XAFD60J	High	1575	47.50	34.80	18.00	9.75	47.00	30.20	9.30	6.70	3.40	2.46
				Intermediate	900	27.80	16.40		17.20						
				Low	900	16.40	14.20		35.45						
HMH72B481S	TMLE120C16MP11	24.5	XAFD60J	High	1575	47.50	34.80	18.00	9.75	47.00	30.20	9.30	6.70	3.40	2.46
				Intermediate	900	27.80	16.40		17.20						
				Low	900	16.40	14.20		35.45						
HMH72B481S	TM8V100C20MP12C	24.5	XAHD60J	High	1750	46.50	35.20	16.50	9.00	48.00	30.80	7.50	5.85	3.32	2.36
				Intermediate	1175	28.40	19.80		16.25						
				Low	1175	16.40	15.90		28.20						
HMH72B481S	TM8V100C20MP12C	24.5	XAHD60J	High	1750	46.50	35.20	16.50	9.00	48.00	30.80	7.50	5.85	3.32	2.36
				Intermediate	1175	28.40	19.80		16.25						
				Low	1175	16.40	15.90		28.20						
HMH72B481S	TM9Y100C16MP11	24.5	XAHD60J	High	1375	45.50	32.00	17.00	9.50	45.50	29.60	8.50	6.70	3.26	2.40
				Intermediate	1025	27.80	17.80		16.45						
				Low	1025	16.20	14.90		30.75						
HMH72B481S	TM9Y100C16MP11	24.5	XAHD60J	High	1375	45.50	32.00	17.00	9.50	45.50	29.60	8.50	6.70	3.26	2.40
				Intermediate	1025	27.80	17.80		16.45						
				Low	1025	16.20	14.90		30.75						
HMH72B481S	TM9Y080C16MP11	24.5	XAFD60J	High	1375	46.50	32.60	17.50	9.50	46.50	30.20	9.00	7.15	3.32	2.44
				Intermediate	725	27.00	14.20		16.70						
				Low	725	16.00	13.00		34.60						

**Table 9: Furnace capacity - 4 ton**

Outdoor unit model	Furnace model	Furnace width (in.)	Indoor coil model	Stage	Rated CFM	Net cool (MBH)	Sens cool (MBH)	SEER2	EER2	Net47 (MBH)	Net17 (MBH)	HSPF2 IV	HSPF2 V	Cop47	Cop17
HMH72B481S	TM9Y080C16MP11	24.5	XAFD60J	High	1375	46.50	32.60	17.50	9.50	46.50	30.20	9.00	7.15	3.32	2.44
				Intermediate	725	27.00	14.20		16.70						
				Low	725	16.00	13.00		34.60	16.40					
HMH72B481S	TM9V100C20MP12C	21.0	XAHC60H	High	1600	47.50	33.60	17.00	9.25	47.50	30.20	8.50	6.80	3.30	2.42
				Intermediate	975	27.60	16.40		16.65						
				Low	975	16.10	14.30		31.75	16.90					
HMH72B481S	TP9C100C20MP13C	21.0	XAHC60H	High	1600	47.50	33.60	17.00	9.25	47.50	30.20	8.50	6.80	3.30	2.42
				Intermediate	975	27.60	16.40		16.65						
				Low	975	16.10	14.30		31.75	16.90					
HMH72B481S	YP9C100C20MP13C	21.0	XAHC60H	High	1600	47.50	33.60	17.00	9.25	47.50	30.20	8.50	6.80	3.30	2.42
				Intermediate	975	27.60	16.40		16.65						
				Low	975	16.10	14.30		31.75	16.90					
HMH72B481S	TM9V100C20MP12C	21.0	XAHC60H	High	1600	47.50	33.60	17.00	9.25	47.50	30.20	8.50	6.80	3.30	2.42
				Intermediate	975	27.60	16.40		16.65						
				Low	975	16.10	14.30		31.75	16.90					
HMH72B481S	TP9C100C20MP13C	21.0	XAHC60H	High	1600	47.50	33.60	17.00	9.25	47.50	30.20	8.50	6.80	3.30	2.42
				Intermediate	975	27.60	16.40		16.65						
				Low	975	16.10	14.30		31.75	16.90					
HMH72B481S	YP9C100C20MP13C	21.0	XAHC60H	High	1600	47.50	33.60	17.00	9.25	47.50	30.20	8.50	6.80	3.30	2.42
				Intermediate	975	27.60	16.40		16.65						
				Low	975	16.10	14.30		31.75	16.90					
HMH72B481S	TM9V100C16MP12C	24.5	XAFD60J	High	1600	47.50	35.00	17.50	9.50	47.50	31.00	9.00	7.05	3.42	2.48
				Intermediate	1100	28.80	19.30		16.90						
				Low	1100	16.70	15.70		30.95	17.60					
HMH72B481S	TP9C100C16MP13C	24.5	XAFD60J	High	1600	47.50	35.00	17.50	9.50	47.50	31.00	9.00	7.05	3.42	2.48
				Intermediate	1100	28.80	19.30		16.90						
				Low	1100	16.70	15.70		30.95	17.60					
HMH72B481S	YP9C100C16MP13C	24.5	XAFD60J	High	1600	47.50	35.00	17.50	9.50	47.50	31.00	9.00	7.05	3.42	2.48
				Intermediate	1100	28.80	19.30		16.90						
				Low	1100	16.70	15.70		30.95	17.60					
HMH72B481S	TM9V100C16MP12C	24.5	XAFD60J	High	1600	47.50	35.00	17.50	9.50	47.50	31.00	9.00	7.05	3.42	2.48
				Intermediate	1100	28.80	19.30		16.90						
				Low	1100	16.70	15.70		30.95	17.60					
HMH72B481S	TP9C100C16MP13C	24.5	XAFD60J	High	1600	47.50	35.00	17.50	9.50	47.50	31.00	9.00	7.05	3.42	2.48
				Intermediate	1100	28.80	19.30		16.90						
				Low	1100	16.70	15.70		30.95	17.60					
HMH72B481S	YP9C100C16MP13C	24.5	XAFD60J	High	1600	47.50	35.00	17.50	9.50	47.50	31.00	9.00	7.05	3.42	2.48
				Intermediate	1100	28.80	19.30		16.90						
				Low	1100	16.70	15.70		30.95	17.60					
HMH72B481S	TM9V080C16MP12C	21.0	XAFC60H	High	1525	48.00	33.60	17.50	9.50	48.00	30.60	9.00	7.10	3.32	2.44
				Intermediate	975	28.20	16.90		16.90						
				Low	975	16.50	14.70		31.95	17.30					
HMH72B481S	TP9C080C16MP13C	21.0	XAFC60H	High	1525	48.00	33.60	17.50	9.50	48.00	30.60	9.00	7.10	3.32	2.44
				Intermediate	975	28.20	16.90		16.90						
				Low	975	16.50	14.70		31.95	17.30					
HMH72B481S	YP9C080C16MP13C	21.0	XAFC60H	High	1525	48.00	33.60	17.50	9.50	48.00	30.60	9.00	7.10	3.32	2.44
				Intermediate	975	28.20	16.90		16.90						
				Low	975	16.50	14.70		31.95	17.30					
HMH72B481S	TM9V080C16MP12C	21.0	XAFC60H	High	1525	48.00	33.60	17.50	9.50	48.00	30.60	9.00	7.10	3.32	2.44
				Intermediate	975	28.20	16.90		16.90						
				Low	975	16.50	14.70		31.95	17.30					
HMH72B481S	TP9C080C16MP13C	21.0	XAFC60H	High	1525	48.00	33.60	17.50	9.50	48.00	30.60	9.00	7.10	3.32	2.44
				Intermediate	975	28.20	16.90		16.90						
				Low	975	16.50	14.70		31.95	17.30					
HMH72B481S	YP9C080C16MP13C	21.0	XAFC60H	High	1525	48.00	33.60	17.50	9.50	48.00	30.60	9.00	7.10	3.32	2.44
				Intermediate	975	28.20	16.90		16.90						
				Low	975	16.50	14.70		31.95	17.30					
HMH72B481S	TM8Y100C16MP11	24.5	XAFD60J	High	1550	47.50	34.80	18.00	9.75	47.00	30.20	9.00	7.15	3.40	2.44
				Intermediate	825	27.60	15.60		17.25						
				Low	825	16.30	13.70		36.75	16.90					

**Table 9: Furnace capacity - 4 ton**

Outdoor unit model	Furnace model	Furnace width (in.)	Indoor coil model	Stage	Rated CFM	Net cool (MBH)	Sens cool (MBH)	SEER2	EER2	Net47 (MBH)	Net17 (MBH)	HSPF2 IV	HSPF2 V	Cop47	Cop17
HMH72B481S	TM8Y080C16MP11	24.5	XAFD60J	High	1550	47.50	34.80	18.00	9.75	47.00	30.20	9.00	7.15	3.40	2.44
				Intermediate	825	27.60	15.60		17.25						
				Low	825	16.30	13.70		36.75						
HMH72B481S	TM8Y100C16MP11	24.5	XAFD60J	High	1550	47.50	34.80	18.00	9.75	47.00	30.20	9.00	7.15	3.40	2.44
				Intermediate	825	27.60	15.60		17.25						
				Low	825	16.30	13.70		36.75						
HMH72B481S	TM8Y080C16MP11	24.5	XAFD60J	High	1550	47.50	34.80	18.00	9.75	47.00	30.20	9.00	7.15	3.40	2.44
				Intermediate	825	27.60	15.60		17.25						
				Low	825	16.30	13.70		36.75						
HMH72B481S	TM8V120C20MP12C	24.5	XAHD60J	High	1425	46.00	32.80	17.75	9.75	45.50	28.80	9.00	7.25	3.32	2.42
				Intermediate	975	27.60	17.00		16.80						
				Low	975	16.20	14.50		33.45						
HMH72B481S	TMLV120C20MP12C	24.5	XAHD60J	High	1425	46.00	32.80	17.75	9.75	45.50	28.80	9.00	7.25	3.32	2.42
				Intermediate	975	27.60	17.00		16.80						
				Low	975	16.20	14.50		33.45						
HMH72B481S	TPLC100C20MP13C	24.5	XAHD60J	High	1425	46.00	32.80	17.75	9.75	45.50	28.80	9.00	7.25	3.32	2.42
				Intermediate	975	27.60	17.00		16.80						
				Low	975	16.20	14.50		33.45						
HMH72B481S	TPLC120C20MP13C	24.5	XAHD60J	High	1425	46.00	32.80	17.75	9.75	45.50	28.80	9.00	7.25	3.32	2.42
				Intermediate	975	27.60	17.00		16.80						
				Low	975	16.20	14.50		33.45						
HMH72B481S	YPLC100C20MP13C	24.5	XAHD60J	High	1425	46.00	32.80	17.75	9.75	45.50	28.80	9.00	7.25	3.32	2.42
				Intermediate	975	27.60	17.00		16.80						
				Low	975	16.20	14.50		33.45						
HMH72B481S	YPLC120C20MP13C	24.5	XAHD60J	High	1425	46.00	32.80	17.75	9.75	45.50	28.80	9.00	7.25	3.32	2.42
				Intermediate	975	27.60	17.00		16.80						
				Low	975	16.20	14.50		33.45						
HMH72B481S	TM8V120C20MP12C	24.5	XAHD60J	High	1425	46.00	32.80	17.75	9.75	45.50	28.80	9.00	7.25	3.32	2.42
				Intermediate	975	27.60	17.00		16.80						
				Low	975	16.20	14.50		33.45						
HMH72B481S	TMLV120C20MP12C	24.5	XAHD60J	High	1425	46.00	32.80	17.75	9.75	45.50	28.80	9.00	7.25	3.32	2.42
				Intermediate	975	27.60	17.00		16.80						
				Low	975	16.20	14.50		33.45						
HMH72B481S	TPLC100C20MP13C	24.5	XAHD60J	High	1425	46.00	32.80	17.75	9.75	45.50	28.80	9.00	7.25	3.32	2.42
				Intermediate	975	27.60	17.00		16.80						
				Low	975	16.20	14.50		33.45						
HMH72B481S	YPLC100C20MP13C	24.5	XAHD60J	High	1425	46.00	32.80	17.75	9.75	45.50	28.80	9.00	7.25	3.32	2.42
				Intermediate	975	27.60	17.00		16.80						
				Low	975	16.20	14.50		33.45						
HMH72B481S	YPLC120C20MP13C	24.5	XAHD60J	High	1425	46.00	32.80	17.75	9.75	45.50	28.80	9.00	7.25	3.32	2.42
				Intermediate	975	27.60	17.00		16.80						
				Low	975	16.20	14.50		33.45						
HMH72B481S	TM8E120C16MP11	21.0	XAFC60H	High	1525	48.00	33.60	18.00	9.75	48.00	30.00	9.00	7.05	3.32	2.42
				Intermediate	900	28.00	16.00		17.30						
				Low	900	16.40	14.10		35.65						
HMH72B481S	TMLE120C16MP11	21.0	XAFC60H	High	1525	48.00	33.60	18.00	9.75	48.00	30.00	9.00	7.05	3.32	2.42
				Intermediate	900	28.00	16.00		17.30						
				Low	900	16.40	14.10		35.65						
HMH72B481S	TM8E120C16MP11	21.0	XAFC60H	High	1525	48.00	33.60	18.00	9.75	48.00	30.00	9.00	7.05	3.32	2.42
				Intermediate	900	28.00	16.00		17.30						
				Low	900	16.40	14.10		35.65						
HMH72B481S	TMLE120C16MP11	21.0	XAFC60H	High	1525	48.00	33.60	18.00	9.75	48.00	30.00	9.00	7.05	3.32	2.42
				Intermediate	900	28.00	16.00		17.30						
				Low	900	16.40	14.10		35.65						
HMH72B481S	TM8E080C16MP11	21.0	XAFC60H	High	1525	48.00	33.60	18.00	9.75	48.00	30.00	9.00	7.05	3.32	2.42
				Intermediate	900	27.80	15.80		17.25						
				Low	900	16.40	14.10		35.30						

**Table 9: Furnace capacity - 4 ton**

Outdoor unit model	Furnace model	Furnace width (in.)	Indoor coil model	Stage	Rated CFM	Net cool (MBH)	Sens cool (MBH)	SEER2	EER2	Net47 (MBH)	Net17 (MBH)	HSPF2 IV	HSPF2 V	Cop47	Cop17
HMH72B481S	TMLE080C16MP11	21.0	XAFC60H	High	1525	48.00	33.60	18.00	9.75	48.00	30.00	9.00	7.05	3.32	2.42
				Intermediate	900	27.80	15.80		17.25						
				Low	900	16.40	14.10		35.30	17.20					
HMH72B481S	TM8E080C16MP11	21.0	XAFC60H	High	1525	48.00	33.60	18.00	9.75	48.00	30.00	9.00	7.05	3.32	2.42
				Intermediate	900	27.80	15.80		17.25						
				Low	900	16.40	14.10		35.30	17.20					
HMH72B481S	TMLE080C16MP11	21.0	XAFC60H	High	1525	48.00	33.60	18.00	9.75	48.00	30.00	9.00	7.05	3.32	2.42
				Intermediate	900	27.80	15.80		17.25						
				Low	900	16.40	14.10		35.30	17.20					
HMH72B481S	TL8E100C20UH11	24.5	XAHD60J	High	1575	46.50	34.20	17.50	9.50	46.50	29.40	9.00	7.20	3.36	2.42
				Intermediate	1100	28.20	18.70		16.85						
				Low	1100	16.40	15.40		32.15	17.50					
HMH72B481S	TL8E100C20UH11	24.5	XAHD60J	High	1575	46.50	34.20	17.50	9.50	46.50	29.40	9.00	7.20	3.36	2.42
				Intermediate	1100	28.20	18.70		16.85						
				Low	1100	16.40	15.40		32.15	17.50					
HMH72B481S	TL8E080C16UH11	21.0	XAHC60H	High	1325	46.50	31.40	17.25	9.75	46.00	28.60	8.50	6.65	3.18	2.36
				Intermediate	975	27.60	16.40		16.60						
				Low	975	16.10	14.40		31.65	17.30					
HMH72B481S	TL8E080C16UH11	21.0	XAHC60H	High	1325	46.50	31.40	17.25	9.75	46.00	28.60	8.50	6.65	3.18	2.36
				Intermediate	975	27.60	16.40		16.60						
				Low	975	16.10	14.40		31.65	17.30					
HMH72B481S	TM9Y120D20MP11	24.5	XAFD60J	High	1575	47.50	34.80	18.00	9.75	47.00	30.60	9.00	7.15	3.46	2.50
				Intermediate	1025	28.40	18.10		17.25						
				Low	1025	16.70	15.20		34.00	17.30					
HMH72B481S	TM9Y120D20MP11	24.5	XAFD60J	High	1575	47.50	34.80	18.00	9.75	47.00	30.60	9.00	7.15	3.46	2.50
				Intermediate	1025	28.40	18.10		17.25						
				Low	1025	16.70	15.20		34.00	17.30					
HMH72B481S	TM9Y080C16MP11	21.0	XAHC60H	High	1325	46.00	30.80	16.75	9.50	46.50	29.40	8.50	6.80	3.16	2.36
				Intermediate	1000	27.60	16.70		16.35						
				Low	1000	16.10	14.60		29.80	17.10					
HMH72B481S	TM9Y080C16MP11	21.0	XAHC60H	High	1325	46.00	30.80	16.75	9.50	46.50	29.40	8.50	6.80	3.16	2.36
				Intermediate	1000	27.60	16.70		16.35						
				Low	1000	16.10	14.60		29.80	17.10					
HMH72B481S	TM9V100C20MP12C	24.5	XAHD60J	High	1600	46.50	34.20	17.25	9.25	46.50	30.40	9.00	7.15	3.36	2.42
				Intermediate	975	27.60	17.10		16.60						
				Low	975	16.20	14.50		32.25	16.90					
HMH72B481S	TP9C100C20MP13C	24.5	XAHD60J	High	1600	46.50	34.20	17.25	9.25	46.50	30.40	9.00	7.15	3.36	2.42
				Intermediate	975	27.60	17.10		16.60						
				Low	975	16.20	14.50		32.25	16.90					
HMH72B481S	YP9C100C20MP13C	24.5	XAHD60J	High	1600	46.50	34.20	17.25	9.25	46.50	30.40	9.00	7.15	3.36	2.42
				Intermediate	975	27.60	17.10		16.60						
				Low	975	16.20	14.50		32.25	16.90					
HMH72B481S	TM9V100C20MP12C	24.5	XAHD60J	High	1600	46.50	34.20	17.25	9.25	46.50	30.40	9.00	7.15	3.36	2.42
				Intermediate	975	27.60	17.10		16.60						
				Low	975	16.20	14.50		32.25	16.90					
HMH72B481S	TP9C100C20MP13C	24.5	XAHD60J	High	1600	46.50	34.20	17.25	9.25	46.50	30.40	9.00	7.15	3.36	2.42
				Intermediate	975	27.60	17.10		16.60						
				Low	975	16.20	14.50		32.25	16.90					
HMH72B481S	YP9C100C20MP13C	24.5	XAHD60J	High	1600	46.50	34.20	17.25	9.25	46.50	30.40	9.00	7.15	3.36	2.42
				Intermediate	975	27.60	17.10		16.60						
				Low	975	16.20	14.50		32.25	16.90					
HMH72B481S	TM9V100C16MP12C	21.0	XAHC60H	High	1500	47.00	32.80	17.00	9.50	47.00	29.80	8.50	6.80	3.28	2.42
				Intermediate	1025	27.80	17.00		16.55						
				Low	1025	16.20	14.80		30.60	17.10					
HMH72B481S	TP9C100C16MP13C	21.0	XAHC60H	High	1500	47.00	32.80	17.00	9.50	47.00	29.80	8.50	6.80	3.28	2.42
				Intermediate	1025	27.80	17.00		16.55						
				Low	1025	16.20	14.80		30.60	17.10					
HMH72B481S	YP9C100C16MP13C	21.0	XAHC60H	High	1500	47.00	32.80	17.00	9.50	47.00	29.80	8.50	6.80	3.28	2.42
				Intermediate	1025	27.80	17.00		16.55						
				Low	1025	16.20	14.80		30.60	17.10					



**Table 9: Furnace capacity - 4 ton**

Outdoor unit model	Furnace model	Furnace width (in.)	Indoor coil model	Stage	Rated CFM	Net cool (MBH)	Sens cool (MBH)	SEER2	EER2	Net47 (MBH)	Net17 (MBH)	HSPF2 IV	HSPF2 V	Cop47	Cop17
HMH72B481S	TM9V100C16MP12C	21.0	XAHC60H	High	1500	47.00	32.80	17.00	9.50	47.00	29.80	8.50	6.80	3.28	2.42
				Intermediate	1025	27.80	17.00		16.55						
				Low	1025	16.20	14.80		30.60						
HMH72B481S	TP9C100C16MP13C	21.0	XAHC60H	High	1500	47.00	32.80	17.00	9.50	47.00	29.80	8.50	6.80	3.28	2.42
				Intermediate	1025	27.80	17.00		16.55						
				Low	1025	16.20	14.80		30.60						
HMH72B481S	YP9C100C16MP13C	21.0	XAHC60H	High	1500	47.00	32.80	17.00	9.50	47.00	29.80	8.50	6.80	3.28	2.42
				Intermediate	1025	27.80	17.00		16.55						
				Low	1025	16.20	14.80		30.60						
HMH72B481S	TM9V080C16MP12C	24.5	XAFD60J	High	1475	47.00	33.80	17.25	9.50	47.00	30.60	9.00	7.25	3.36	2.46
				Intermediate	950	28.00	17.20		16.75						
				Low	950	16.40	14.60		31.85						
HMH72B481S	TP9C080C16MP13C	24.5	XAFD60J	High	1475	47.00	33.80	17.25	9.50	47.00	30.60	9.00	7.25	3.36	2.46
				Intermediate	950	28.00	17.20		16.75						
				Low	950	16.40	14.60		31.85						
HMH72B481S	YP9C080C16MP13C	24.5	XAFD60J	High	1475	47.00	33.80	17.25	9.50	47.00	30.60	9.00	7.25	3.36	2.46
				Intermediate	950	28.00	17.20		16.75						
				Low	950	16.40	14.60		31.85						
HMH72B481S	TM9V080C16MP12C	24.5	XAFD60J	High	1475	47.00	33.80	17.25	9.50	47.00	30.60	9.00	7.25	3.36	2.46
				Intermediate	950	28.00	17.20		16.75						
				Low	950	16.40	14.60		31.85						
HMH72B481S	TP9C080C16MP13C	24.5	XAFD60J	High	1475	47.00	33.80	17.25	9.50	47.00	30.60	9.00	7.25	3.36	2.46
				Intermediate	950	28.00	17.20		16.75						
				Low	950	16.40	14.60		31.85						
HMH72B481S	YP9C080C16MP13C	24.5	XAFD60J	High	1475	47.00	33.80	17.25	9.50	47.00	30.60	9.00	7.25	3.36	2.46
				Intermediate	950	28.00	17.20		16.75						
				Low	950	16.40	14.60		31.85						
HMH72B481S	TM8Y120C20MP11	21.0	XAFC60H	High	1500	48.00	33.60	18.00	10.00	48.00	29.60	9.00	7.15	3.34	2.44
				Intermediate	1050	28.60	17.80		17.30						
				Low	1050	16.70	15.30		33.20						
HMH72B481S	TM8Y120C20MP11	21.0	XAFC60H	High	1500	48.00	33.60	18.00	10.00	48.00	29.60	9.00	7.15	3.34	2.44
				Intermediate	1050	28.60	17.80		17.30						
				Low	1050	16.70	15.30		33.20						
HMH72B481S	TM8Y100C16MP11	21.0	XAHC60H	High	1475	47.00	32.60	17.75	9.50	47.00	29.20	8.50	6.60	3.22	2.36
				Intermediate	825	27.00	14.60		17.00						
				Low	825	16.00	13.20		36.25						
HMH72B481S	TM8Y100C16MP11	21.0	XAHC60H	High	1475	47.00	32.60	17.75	9.50	47.00	29.20	8.50	6.60	3.22	2.36
				Intermediate	825	27.00	14.60		17.00						
				Low	825	16.00	13.20		36.25						
HMH72B481S	TM8E080C16MP11	24.5	XAFD60J	High	1575	47.50	34.80	18.00	9.50	47.50	30.20	9.00	7.05	3.40	2.44
				Intermediate	900	27.80	16.50		17.15						
				Low	900	16.40	14.20		35.20						
HMH72B481S	TMLE080C16MP11	24.5	XAFD60J	High	1575	47.50	34.80	18.00	9.50	47.50	30.20	9.00	7.05	3.40	2.44
				Intermediate	900	27.80	16.50		17.15						
				Low	900	16.40	14.20		35.20						
HMH72B481S	TMLE080C16MP11	24.5	XAFD60J	High	1575	47.50	34.80	18.00	9.50	47.50	30.20	9.00	7.05	3.40	2.44
				Intermediate	900	27.80	16.50		17.15						
				Low	900	16.40	14.20		35.20						
HMH72B481S	TL9E080C16UH11	21.0	XAFC60H	High	1375	47.50	32.20	17.75	9.75	47.50	29.40	8.50	6.70	3.26	2.40
				Intermediate	950	28.00	16.50		17.00						
				Low	950	16.40	14.50		32.95						
HMH72B481S	TL9E080C16UH11	21.0	XAFC60H	High	1375	47.50	32.20	17.75	9.75	47.50	29.40	8.50	6.70	3.26	2.40
				Intermediate	950	28.00	16.50		17.00						
				Low	950	16.40	14.50		32.95						
HMH72B481S	TL8E080C16UH11	24.5	XAHD60J	High	1525	46.00	33.40	17.25	9.25	46.50	29.60	9.00	7.10	3.30	2.38
				Intermediate	1000	27.80	17.50		16.65						
				Low	1000	16.20	14.70		32.10						

**Table 9: Furnace capacity - 4 ton**

Outdoor unit model	Furnace model	Furnace width (in.)	Indoor coil model	Stage	Rated CFM	Net cool (MBH)	Sens cool (MBH)	SEER2	EER2	Net47 (MBH)	Net17 (MBH)	HSPF2 IV	HSPF2 V	Cop47	Cop17
HMH72B481S	TL8E080C16UH11	24.5	XAHD60J	High	1525	46.00	33.40	17.25	9.25	46.50	29.60	9.00	7.10	3.30	2.38
				Intermediate	1000	27.80	17.50		16.65						
				Low	1000	16.20	14.70		32.10	17.30					
HMH72B481S	TM8Y120C20MP11	24.5	XAFD60J	High	1550	47.50	34.80	18.00	9.75	47.00	29.80	9.30	6.60	3.44	2.48
				Intermediate	1075	28.80	19.00		17.30						
				Low	1075	16.80	15.60		33.50	17.80					
HMH72B481S	TM8Y120C20MP11	24.5	XAFD60J	High	1550	47.50	34.80	18.00	9.75	47.00	29.80	9.30	6.60	3.44	2.48
				Intermediate	1075	28.80	19.00		17.30						
				Low	1075	16.80	15.60		33.50	17.80					
HMH72B481S	TM9Y120D20MP11	24.5	XAHD60J	High	1550	46.50	34.00	17.75	9.50	46.00	30.00	9.00	7.25	3.36	2.44
				Intermediate	1025	28.00	17.90		16.90						
				Low	1025	16.30	14.80		33.30	16.90					
HMH72B481S	TM9Y120D20MP11	24.5	XAHD60J	High	1550	46.50	34.00	17.75	9.50	46.00	30.00	9.00	7.25	3.36	2.44
				Intermediate	1025	28.00	17.90		16.90						
				Low	1025	16.30	14.80		33.30	16.90					
HMH72B481S	TM9Y080C16MP11	24.5	XAHD60J	High	1375	45.50	32.00	17.00	9.25	45.50	29.60	8.50	6.65	3.26	2.40
				Intermediate	725	26.40	13.80		16.35						
				Low	725	15.70	12.70		33.80	16.10					
HMH72B481S	TM9Y080C16MP11	24.5	XAHD60J	High	1375	45.50	32.00	17.00	9.25	45.50	29.60	8.50	6.65	3.26	2.40
				Intermediate	725	26.40	13.80		16.35						
				Low	725	15.70	12.70		33.80	16.10					
HMH72B481S	TM9V100C16MP12C	24.5	XAHD60J	High	1625	46.50	34.40	17.00	9.25	47.00	30.40	9.00	7.05	3.36	2.42
				Intermediate	1100	28.20	18.80		16.50						
				Low	1100	16.30	15.40		30.00	17.30					
HMH72B481S	TP9C100C16MP13C	24.5	XAHD60J	High	1625	46.50	34.40	17.00	9.25	47.00	30.40	9.00	7.05	3.36	2.42
				Intermediate	1100	28.20	18.80		16.50						
				Low	1100	16.30	15.40		30.00	17.30					
HMH72B481S	YP9C100C16MP13C	24.5	XAHD60J	High	1625	46.50	34.40	17.00	9.25	47.00	30.40	9.00	7.05	3.36	2.42
				Intermediate	1100	28.20	18.80		16.50						
				Low	1100	16.30	15.40		30.00	17.30					
HMH72B481S	TM9V100C16MP12C	24.5	XAHD60J	High	1625	46.50	34.40	17.00	9.25	47.00	30.40	9.00	7.05	3.36	2.42
				Intermediate	1100	28.20	18.80		16.50						
				Low	1100	16.30	15.40		30.00	17.30					
HMH72B481S	TP9C100C16MP13C	24.5	XAHD60J	High	1625	46.50	34.40	17.00	9.25	47.00	30.40	9.00	7.05	3.36	2.42
				Intermediate	1100	28.20	18.80		16.50						
				Low	1100	16.30	15.40		30.00	17.30					
HMH72B481S	YP9C100C16MP13C	24.5	XAHD60J	High	1625	46.50	34.40	17.00	9.25	47.00	30.40	9.00	7.05	3.36	2.42
				Intermediate	1100	28.20	18.80		16.50						
				Low	1100	16.30	15.40		30.00	17.30					
HMH72B481S	TM9V080C16MP12C	21.0	XAHC60H	High	1475	46.50	32.00	16.75	9.25	47.00	30.00	8.50	6.65	3.24	2.38
				Intermediate	950	27.40	16.10		16.40						
				Low	950	16.00	14.20		30.85	16.90					
HMH72B481S	TP9C080C16MP13C	21.0	XAHC60H	High	1475	46.50	32.00	16.75	9.25	47.00	30.00	8.50	6.65	3.24	2.38
				Intermediate	950	27.40	16.10		16.40						
				Low	950	16.00	14.20		30.85	16.90					
HMH72B481S	YP9C080C16MP13C	21.0	XAHC60H	High	1475	46.50	32.00	16.75	9.25	47.00	30.00	8.50	6.65	3.24	2.38
				Intermediate	950	27.40	16.10		16.40						
				Low	950	16.00	14.20		30.85	16.90					
HMH72B481S	TM9V080C16MP12C	21.0	XAHC60H	High	1475	46.50	32.00	16.75	9.25	47.00	30.00	8.50	6.65	3.24	2.38
				Intermediate	950	27.40	16.10		16.40						
				Low	950	16.00	14.20		30.85	16.90					
HMH72B481S	TP9C080C16MP13C	21.0	XAHC60H	High	1475	46.50	32.00	16.75	9.25	47.00	30.00	8.50	6.65	3.24	2.38
				Intermediate	950	27.40	16.10		16.40						
				Low	950	16.00	14.20		30.85	16.90					
HMH72B481S	YP9C080C16MP13C	21.0	XAHC60H	High	1475	46.50	32.00	16.75	9.25	47.00	30.00	8.50	6.65	3.24	2.38
				Intermediate	950	27.40	16.10		16.40						
				Low	950	16.00	14.20		30.85	16.90					
HMH72B481S	TM8Y100C16MP11	24.5	XAHD60J	High	1525	46.00	33.40	17.75	9.00	46.00	29.60	9.00	7.10	3.32	2.40
				Intermediate	825	27.00	15.10		16.90						
				Low	825	16.00	13.40		36.05	16.60					

**Table 9: Furnace capacity - 4 ton**

Outdoor unit model	Furnace model	Furnace width (in.)	Indoor coil model	Stage	Rated CFM	Net cool (MBH)	Sens cool (MBH)	SEER2	EER2	Net47 (MBH)	Net17 (MBH)	HSPF2 IV	HSPF2 V	Cop47	Cop17
HMH72B481S	TM8Y100C16MP11	24.5	XAHD60J	High	1525	46.00	33.40	17.75	9.00	46.00	29.60	9.00	7.10	3.32	2.40
				Intermediate	825	27.00	15.10		16.90						
				Low	825	16.00	13.40		36.05						
HMH72B481S	TM8V100C16MP12C	21.0	XAFC60H	High	1425	48.00	33.00	17.75	9.75	47.50	29.40	9.00	7.05	3.30	2.42
				Intermediate	975	28.20	16.90		17.00						
				Low	975	16.50	14.70		32.60						
HMH72B481S	TMLV100C16MP12C	21.0	XAFC60H	High	1425	48.00	33.00	17.75	9.75	47.50	29.40	9.00	7.05	3.30	2.42
				Intermediate	975	28.20	16.90		17.00						
				Low	975	16.50	14.70		32.60						
HMH72B481S	TPLC080C16MP13C	21.0	XAFC60H	High	1425	48.00	33.00	17.75	9.75	47.50	29.40	9.00	7.05	3.30	2.42
				Intermediate	975	28.20	16.90		17.00						
				Low	975	16.50	14.70		32.60						
HMH72B481S	TPLC100C16MP13C	21.0	XAFC60H	High	1425	48.00	33.00	17.75	9.75	47.50	29.40	9.00	7.05	3.30	2.42
				Intermediate	975	28.20	16.90		17.00						
				Low	975	16.50	14.70		32.60						
HMH72B481S	YPLC080C16MP13C	21.0	XAFC60H	High	1425	48.00	33.00	17.75	9.75	47.50	29.40	9.00	7.05	3.30	2.42
				Intermediate	975	28.20	16.90		17.00						
				Low	975	16.50	14.70		32.60						
HMH72B481S	YPLC100C16MP13C	21.0	XAFC60H	High	1425	48.00	33.00	17.75	9.75	47.50	29.40	9.00	7.05	3.30	2.42
				Intermediate	975	28.20	16.90		17.00						
				Low	975	16.50	14.70		32.60						
HMH72B481S	TM8V100C16MP12C	21.0	XAFC60H	High	1425	48.00	33.00	17.75	9.75	47.50	29.40	9.00	7.05	3.30	2.42
				Intermediate	975	28.20	16.90		17.00						
				Low	975	16.50	14.70		32.60						
HMH72B481S	TMLV100C16MP12C	21.0	XAFC60H	High	1425	48.00	33.00	17.75	9.75	47.50	29.40	9.00	7.05	3.30	2.42
				Intermediate	975	28.20	16.90		17.00						
				Low	975	16.50	14.70		32.60						
HMH72B481S	TPLC080C16MP13C	21.0	XAFC60H	High	1425	48.00	33.00	17.75	9.75	47.50	29.40	9.00	7.05	3.30	2.42
				Intermediate	975	28.20	16.90		17.00						
				Low	975	16.50	14.70		32.60						
HMH72B481S	TPLC100C16MP13C	21.0	XAFC60H	High	1425	48.00	33.00	17.75	9.75	47.50	29.40	9.00	7.05	3.30	2.42
				Intermediate	975	28.20	16.90		17.00						
				Low	975	16.50	14.70		32.60						
HMH72B481S	YPLC080C16MP13C	21.0	XAFC60H	High	1425	48.00	33.00	17.75	9.75	47.50	29.40	9.00	7.05	3.30	2.42
				Intermediate	975	28.20	16.90		17.00						
				Low	975	16.50	14.70		32.60						
HMH72B481S	YPLC100C16MP13C	21.0	XAFC60H	High	1425	48.00	33.00	17.75	9.75	47.50	29.40	9.00	7.05	3.30	2.42
				Intermediate	975	28.20	16.90		17.00						
				Low	975	16.50	14.70		32.60						
HMH72B481S	TM8E120C16MP11	21.0	XAHC60H	High	1525	47.00	32.80	17.50	9.50	47.00	29.40	8.50	6.80	3.26	2.38
				Intermediate	900	27.40	15.60		16.95						
				Low	900	16.10	13.80		34.75						
HMH72B481S	TMLE120C16MP11	21.0	XAHC60H	High	1525	47.00	32.80	17.50	9.50	47.00	29.40	8.50	6.80	3.26	2.38
				Intermediate	900	27.40	15.60		16.95						
				Low	900	16.10	13.80		34.75						
HMH72B481S	TMLE120C16MP11	21.0	XAHC60H	High	1525	47.00	32.80	17.50	9.50	47.00	29.40	8.50	6.80	3.26	2.38
				Intermediate	900	27.40	15.60		16.95						
				Low	900	16.10	13.80		34.75						
HMH72B481S	TM8E080C16MP11	24.5	XAHD60J	High	1550	46.50	34.00	17.50	9.25	46.50	29.60	9.00	7.15	3.32	2.40
				Intermediate	900	27.40	16.20		16.80						
				Low	900	16.10	14.00		34.45						
HMH72B481S	TMLE080C16MP11	24.5	XAHD60J	High	1550	46.50	34.00	17.50	9.25	46.50	29.60	9.00	7.15	3.32	2.40
				Intermediate	900	27.40	16.20		16.80						
				Low	900	16.10	14.00		34.45						
HMH72B481S	TM8E080C16MP11	24.5	XAHD60J	High	1550	46.50	34.00	17.50	9.25	46.50	29.60	9.00	7.15	3.32	2.40
				Intermediate	900	27.40	16.20		16.80						
				Low	900	16.10	14.00		34.45						

**Table 9: Furnace capacity - 4 ton**

Outdoor unit model	Furnace model	Furnace width (in.)	Indoor coil model	Stage	Rated CFM	Net cool (MBH)	Sens cool (MBH)	SEER2	EER2	Net47 (MBH)	Net17 (MBH)	HSPF2 IV	HSPF2 V	Cop47	Cop17
HMH72B481S	TMLE080C16MP11	24.5	XAHD60J	High	1550	46.50	34.00	17.50	9.25	46.50	29.60	9.00	7.15	3.32	2.40
				Intermediate	900	27.40	16.20		16.80						
				Low	900	16.10	14.00		34.45						
HMH72B481S	TL9E080C16UH11	24.5	XAFD60J	High	1400	46.50	32.80	17.75	9.75	46.50	29.60	9.00	7.20	3.34	2.42
				Intermediate	950	28.00	17.20		16.90						
				Low	950	16.40	14.60		32.80						
HMH72B481S	TL9E080C16UH11	24.5	XAFD60J	High	1400	46.50	32.80	17.75	9.75	46.50	29.60	9.00	7.20	3.34	2.42
				Intermediate	950	28.00	17.20		16.90						
				Low	950	16.40	14.60		32.80						
HMH72B481S	TM9Y100C20MP11	24.5	XAFD60H	High	1575	48.00	33.60	16.50	9.50	48.00	30.60	7.50	6.05	3.24	2.36
				Intermediate	1150	28.80	19.00		16.25						
				Low	1150	16.60	16.10		26.75						
HMH72B481S	TM9Y100C20MP11	24.5	XAFD60H	High	1575	48.00	33.60	16.50	9.50	48.00	30.60	7.50	6.05	3.24	2.36
				Intermediate	1150	28.80	19.00		16.25						
				Low	1150	16.60	16.10		26.75						
HMH72B481S	TM9Y100C20MP11	24.5	XAUD60H	High	1575	48.00	33.60	16.50	9.50	48.00	30.60	7.50	6.05	3.24	2.36
				Intermediate	1150	28.80	19.00		16.25						
				Low	1150	16.60	16.10		26.75						
HMH72B481S	TM9Y100C16MP11	24.5	XAFD60H	High	1275	46.50	31.00	17.00	9.50	47.00	29.40	7.50	5.45	3.16	2.36
				Intermediate	925	27.80	16.30		16.30						
				Low	925	16.20	14.30		29.40						
HMH72B481S	TM9Y100C16MP11	24.5	XAFD60H	High	1275	46.50	31.00	17.00	9.50	47.00	29.40	7.50	5.45	3.16	2.36
				Intermediate	925	27.80	16.30		16.30						
				Low	925	16.20	14.30		29.40						
HMH72B481S	TM9Y100C16MP11	24.5	XAUD60H	High	1275	46.50	31.00	17.00	9.50	47.00	29.40	7.50	5.45	3.16	2.36
				Intermediate	925	27.80	16.30		16.30						
				Low	925	16.20	14.30		29.40						
HMH72B481S	TM9Y080C16MP11	24.5	XAFD60H	High	1275	46.50	31.00	17.00	9.50	47.00	29.40	7.50	5.70	3.16	2.36
				Intermediate	925	27.80	16.30		16.20						
				Low	925	16.20	14.30		28.95						
HMH72B481S	TM9Y080C16MP11	24.5	XAFD60H	High	1275	46.50	31.00	17.00	9.50	47.00	29.40	7.50	5.70	3.16	2.36
				Intermediate	925	27.80	16.30		16.20						
				Low	925	16.20	14.30		28.95						
HMH72B481S	TM9Y080C16MP11	24.5	XAUD60H	High	1275	46.50	31.00	17.00	9.50	47.00	29.40	7.50	5.70	3.16	2.36
				Intermediate	925	27.80	16.30		16.20						
				Low	925	16.20	14.30		28.95						
HMH72B481S	TM9V100C20MP12C	24.5	XAFD60H	High	1500	47.50	33.00	17.00	9.50	48.00	30.00	7.50	5.30	3.26	2.40
				Intermediate	900	27.60	15.80		16.50						
				Low	900	16.20	14.10		30.75						
HMH72B481S	TP9C100C20MP13C	24.5	XAFD60H	High	1500	47.50	33.00	17.00	9.50	48.00	30.00	7.50	5.30	3.26	2.40
				Intermediate	900	27.60	15.80		16.50						
				Low	900	16.20	14.10		30.75						
HMH72B481S	YP9C100C20MP13C	24.5	XAFD60H	High	1500	47.50	33.00	17.00	9.50	48.00	30.00	7.50	5.30	3.26	2.40
				Intermediate	900	27.60	15.80		16.50						
				Low	900	16.20	14.10		30.75						
HMH72B481S	TM9V100C20MP12C	24.5	XAFD60H	High	1500	47.50	33.00	17.00	9.50	48.00	30.00	7.50	5.30	3.26	2.40
				Intermediate	900	27.60	15.80		16.50						
				Low	900	16.20	14.10		30.75						
HMH72B481S	TM9V100C20MP12C	24.5	XAUD60H	High	1500	47.50	33.00	17.00	9.50	48.00	30.00	7.50	5.30	3.26	2.40
				Intermediate	900	27.60	15.80		16.50						
				Low	900	16.20	14.10		30.75						
HMH72B481S	TP9C100C20MP13C	24.5	XAFD60H	High	1500	47.50	33.00	17.00	9.50	48.00	30.00	7.50	5.30	3.26	2.40
				Intermediate	900	27.60	15.80		16.50						
				Low	900	16.20	14.10		30.75						
HMH72B481S	TP9C100C20MP13C	24.5	XAUD60H	High	1500	47.50	33.00	17.00	9.50	48.00	30.00	7.50	5.30	3.26	2.40
				Intermediate	900	27.60	15.80		16.50						
				Low	900	16.20	14.10		30.75						
HMH72B481S	YP9C100C20MP13C	24.5	XAFD60H	High	1500	47.50	33.00	17.00	9.50	48.00	30.00	7.50	5.30	3.26	2.40
				Intermediate	900	27.60	15.80		16.50						
				Low	900	16.20	14.10		30.75						

**Table 9: Furnace capacity - 4 ton**

Outdoor unit model	Furnace model	Furnace width (in.)	Indoor coil model	Stage	Rated CFM	Net cool (MBH)	Sens cool (MBH)	SEER2	EER2	Net47 (MBH)	Net17 (MBH)	HSPF2 IV	HSPF2 V	Cop47	Cop17
HMH72B481S	YP9C100C20MP13C	24.5	XAUD60H	High	1500	47.50	33.00	17.00	9.50	48.00	30.00	7.50	5.30	3.26	2.40
				Intermediate	900	27.60	15.80		16.50						
				Low	900	16.20	14.10		30.75						
HMH72B481S	TM9V100C16MP12C	24.5	XAFD60H	High	1525	48.00	33.60	17.00	9.50	48.00	30.20	7.50	5.90	3.28	2.40
				Intermediate	1050	28.40	17.80		16.45						
				Low	1050	16.40	15.20		28.65						
HMH72B481S	TP9C100C16MP13C	24.5	XAFD60H	High	1525	48.00	33.60	17.00	9.50	48.00	30.20	7.50	5.90	3.28	2.40
				Intermediate	1050	28.40	17.80		16.45						
				Low	1050	16.40	15.20		28.65						
HMH72B481S	YP9C100C16MP13C	24.5	XAFD60H	High	1525	48.00	33.60	17.00	9.50	48.00	30.20	7.50	5.90	3.28	2.40
				Intermediate	1050	28.40	17.80		16.45						
				Low	1050	16.40	15.20		28.65						
HMH72B481S	TM9V100C16MP12C	24.5	XAFD60H	High	1525	48.00	33.60	17.00	9.50	48.00	30.20	7.50	5.90	3.28	2.40
				Intermediate	1050	28.40	17.80		16.45						
				Low	1050	16.40	15.20		28.65						
HMH72B481S	TM9V100C16MP12C	24.5	XAUD60H	High	1525	48.00	33.60	17.00	9.50	48.00	30.20	7.50	5.90	3.28	2.40
				Intermediate	1050	28.40	17.80		16.45						
				Low	1050	16.40	15.20		28.65						
HMH72B481S	TP9C100C16MP13C	24.5	XAFD60H	High	1525	48.00	33.60	17.00	9.50	48.00	30.20	7.50	5.90	3.28	2.40
				Intermediate	1050	28.40	17.80		16.45						
				Low	1050	16.40	15.20		28.65						
HMH72B481S	TP9C100C16MP13C	24.5	XAUD60H	High	1525	48.00	33.60	17.00	9.50	48.00	30.20	7.50	5.90	3.28	2.40
				Intermediate	1050	28.40	17.80		16.45						
				Low	1050	16.40	15.20		28.65						
HMH72B481S	YP9C100C16MP13C	24.5	XAFD60H	High	1525	48.00	33.60	17.00	9.50	48.00	30.20	7.50	5.90	3.28	2.40
				Intermediate	1050	28.40	17.80		16.45						
				Low	1050	16.40	15.20		28.65						
HMH72B481S	YP9C100C16MP13C	24.5	XAUD60H	High	1525	48.00	33.60	17.00	9.50	48.00	30.20	7.50	5.90	3.28	2.40
				Intermediate	1050	28.40	17.80		16.45						
				Low	1050	16.40	15.20		28.65						
HMH72B481S	TM9V080C16MP12C	24.5	XAFD60H	High	1475	47.50	32.80	16.50	9.50	48.00	30.20	7.50	6.05	3.22	2.36
				Intermediate	950	27.80	16.50		16.25						
				Low	950	16.20	14.50		28.75						
HMH72B481S	TP9C080C16MP13C	24.5	XAFD60H	High	1475	47.50	32.80	16.50	9.50	48.00	30.20	7.50	6.05	3.22	2.36
				Intermediate	950	27.80	16.50		16.25						
				Low	950	16.20	14.50		28.75						
HMH72B481S	YP9C080C16MP13C	24.5	XAFD60H	High	1475	47.50	32.80	16.50	9.50	48.00	30.20	7.50	6.05	3.22	2.36
				Intermediate	950	27.80	16.50		16.25						
				Low	950	16.20	14.50		28.75						
HMH72B481S	TM9V080C16MP12C	24.5	XAFD60H	High	1475	47.50	32.80	16.50	9.50	48.00	30.20	7.50	6.05	3.22	2.36
				Intermediate	950	27.80	16.50		16.25						
				Low	950	16.20	14.50		28.75						
HMH72B481S	TM9V080C16MP12C	24.5	XAUD60H	High	1475	47.50	32.80	16.50	9.50	48.00	30.20	7.50	6.05	3.22	2.36
				Intermediate	950	27.80	16.50		16.25						
				Low	950	16.20	14.50		28.75						
HMH72B481S	TP9C080C16MP13C	24.5	XAFD60H	High	1475	47.50	32.80	16.50	9.50	48.00	30.20	7.50	6.05	3.22	2.36
				Intermediate	950	27.80	16.50		16.25						
				Low	950	16.20	14.50		28.75						
HMH72B481S	TP9C080C16MP13C	24.5	XAUD60H	High	1475	47.50	32.80	16.50	9.50	48.00	30.20	7.50	6.05	3.22	2.36
				Intermediate	950	27.80	16.50		16.25						
				Low	950	16.20	14.50		28.75						
HMH72B481S	YP9C080C16MP13C	24.5	XAFD60H	High	1475	47.50	32.80	16.50	9.50	48.00	30.20	7.50	6.05	3.22	2.36
				Intermediate	950	27.80	16.50		16.25						
				Low	950	16.20	14.50		28.75						
HMH72B481S	YP9C080C16MP13C	24.5	XAUD60H	High	1475	47.50	32.80	16.50	9.50	48.00	30.20	7.50	6.05	3.22	2.36
				Intermediate	950	27.80	16.50		16.25						
				Low	950	16.20	14.50		28.75						
HMH72B481S	TM9E120D20MP12	24.5	XAHD60H	High	1600	47.00	33.40	16.50	9.00	48.00	30.00	7.50	6.10	3.22	2.34
				Intermediate	1200	28.40	19.10		16.10						
				Low	1200	16.30	16.10		26.60						

**Table 9: Furnace capacity - 4 ton**

Outdoor unit model	Furnace model	Furnace width (in.)	Indoor coil model	Stage	Rated CFM	Net cool (MBH)	Sens cool (MBH)	SEER2	EER2	Net47 (MBH)	Net17 (MBH)	HSPF2 IV	HSPF2 V	Cop47	Cop17
HMH72B481S	TM9E120D20MP12	24.5	XAHD60H	High	1600	47.00	33.40	16.50	9.00	48.00	30.00	7.50	6.10	3.22	2.34
				Intermediate	1200	28.40	19.10		16.10						
				Low	1200	16.30	16.10		26.60	4.80					
HMH72B481S	TM9E100C20MP12	24.5	XAFD60J	High	1600	47.50	35.00	17.00	9.50	48.00	30.60	7.80	6.25	3.38	2.42
				Intermediate	1175	29.00	20.40		16.45						
				Low	1175	16.70	16.30		28.15	5.50					
HMH72B481S	TM9E100C20MP12	24.5	XAFD60J	High	1600	47.50	35.00	17.00	9.50	48.00	30.60	7.80	6.25	3.38	2.42
				Intermediate	1175	29.00	20.40		16.45						
				Low	1175	16.70	16.30		28.15	5.50					
HMH72B481S	TM9E100C16MP12	24.5	XAFD60J	High	1500	46.50	33.40	18.00	9.00	47.50	30.40	7.80	6.20	3.30	2.38
				Intermediate	825	27.40	15.50		16.80						
				Low	825	16.20	13.70		34.00	4.70					
HMH72B481S	TM9E100C16MP12	24.5	XAFD60J	High	1500	46.50	33.40	18.00	9.00	47.50	30.40	7.80	6.20	3.30	2.38
				Intermediate	825	27.40	15.50		16.80						
				Low	825	16.20	13.70		34.00	4.70					
HMH72B481S	TM9E080C20MP12	24.5	XAFD60J	High	1625	47.50	35.20	17.00	9.50	48.00	30.60	7.80	6.35	3.38	2.42
				Intermediate	1200	29.00	20.60		16.45						
				Low	1200	16.70	16.40		27.95	5.30					
HMH72B481S	TM9E080C20MP12	24.5	XAFD60J	High	1625	47.50	35.20	17.00	9.50	48.00	30.60	7.80	6.35	3.38	2.42
				Intermediate	1200	29.00	20.60		16.45						
				Low	1200	16.70	16.40		27.95	5.30					
HMH72B481S	TM9E080C16MP12	24.5	XAFD60J	High	1450	46.50	33.20	18.00	9.50	47.00	30.20	7.80	6.20	3.28	2.38
				Intermediate	800	27.40	15.20		16.85						
				Low	800	16.20	13.60		34.50	4.30					
HMH72B481S	TM9E080C16MP12	24.5	XAFD60J	High	1450	46.50	33.20	18.00	9.50	47.00	30.20	7.80	6.20	3.28	2.38
				Intermediate	800	27.40	15.20		16.85						
				Low	800	16.20	13.60		34.50	4.30					
HMH72B481S	TM8V100C20MP12C	21.0	XAHC60H	High	1400	47.00	32.20	17.50	9.50	46.50	28.80	7.50	5.75	3.22	2.36
				Intermediate	975	27.60	16.40		16.65						
				Low	975	16.10	14.30		31.75	4.30					
HMH72B481S	TM8V100C20MP12C	21.0	XAHC60H	High	1400	47.00	32.20	17.50	9.50	46.50	28.80	7.50	5.75	3.22	2.36
				Intermediate	975	27.60	16.40		16.65						
				Low	975	16.10	14.30		31.75	4.30					
HMH72B481S	TM8E130D20MP11	24.5	XAFD60J	High	1500	47.00	34.00	16.50	9.50	47.00	30.00	7.80	6.25	3.36	2.42
				Intermediate	1225	29.20	21.00		16.30						
				Low	1225	16.70	16.60		26.80	5.20					
HMH72B481S	TMLE130D20MP11	24.5	XAFD60J	High	1500	47.00	34.00	16.50	9.50	47.00	30.00	7.80	6.25	3.36	2.42
				Intermediate	1225	29.20	21.00		16.30						
				Low	1225	16.70	16.60		26.80	5.20					
HMH72B481S	TM8E130D20MP11	24.5	XAFD60J	High	1500	47.00	34.00	16.50	9.50	47.00	30.00	7.80	6.25	3.36	2.42
				Intermediate	1225	29.20	21.00		16.30						
				Low	1225	16.70	16.60		26.80	5.20					
HMH72B481S	TMLE130D20MP11	24.5	XAFD60J	High	1500	47.00	34.00	16.50	9.50	47.00	30.00	7.80	6.25	3.36	2.42
				Intermediate	1225	29.20	21.00		16.30						
				Low	1225	16.70	16.60		26.80	5.20					
HMH72B481S	TM8E120C20MP11	24.5	XAFD60H	High	1375	47.50	32.20	16.50	10.00	47.50	29.40	7.50	5.90	3.26	2.40
				Intermediate	1175	28.80	19.30		16.15						
				Low	1175	16.60	16.30		26.10	4.80					
HMH72B481S	TMLE120C20MP11	24.5	XAFD60H	High	1375	47.50	32.20	16.50	10.00	47.50	29.40	7.50	5.90	3.26	2.40
				Intermediate	1175	28.80	19.30		16.15						
				Low	1175	16.60	16.30		26.10	4.80					
HMH72B481S	TM8E120C20MP11	24.5	XAFD60H	High	1375	47.50	32.20	16.50	10.00	47.50	29.40	7.50	5.90	3.26	2.40
				Intermediate	1175	28.80	19.30		16.15						
				Low	1175	16.60	16.30		26.10	4.80					
HMH72B481S	TM8E120C20MP11	24.5	XAUD60H	High	1375	47.50	32.20	16.50	10.00	47.50	29.40	7.50	5.90	3.26	2.40
				Intermediate	1175	28.80	19.30		16.15						
				Low	1175	16.60	16.30		26.10	4.80					
HMH72B481S	TMLE120C20MP11	24.5	XAFD60H	High	1375	47.50	32.20	16.50	10.00	47.50	29.40	7.50	5.90	3.26	2.40
				Intermediate	1175	28.80	19.30		16.15						
				Low	1175	16.60	16.30		26.10	4.80					

**Table 9: Furnace capacity - 4 ton**

Outdoor unit model	Furnace model	Furnace width (in.)	Indoor coil model	Stage	Rated CFM	Net cool (MBH)	Sens cool (MBH)	SEER2	EER2	Net47 (MBH)	Net17 (MBH)	HSPF2 IV	HSPF2 V	Cop47	Cop17
HMH72B481S	TMLE120C20MP11	24.5	XAUD60H	High	1375	47.50	32.20	16.50	10.00	47.50	29.40	7.50	5.90	3.26	2.40
				Intermediate	1175	28.80	19.30		16.15						
				Low	1175	16.60	16.30		26.10	4.80	1.10				
HMH72B481S	TM8E120C16MP11	24.5	XAFD60H	High	1475	48.00	33.20	18.00	9.50	48.00	30.00	7.50	5.60	3.26	2.38
				Intermediate	800	27.20	14.60		16.80						
				Low	800	16.10	13.30		33.90	4.10	1.12				
HMH72B481S	TMLE120C16MP11	24.5	XAFD60H	High	1475	48.00	33.20	18.00	9.50	48.00	30.00	7.50	5.60	3.26	2.38
				Intermediate	800	27.20	14.60		16.80						
				Low	800	16.10	13.30		33.90	4.10	1.12				
HMH72B481S	TM8E120C16MP11	24.5	XAFD60H	High	1475	48.00	33.20	18.00	9.50	48.00	30.00	7.50	5.60	3.26	2.38
				Intermediate	800	27.20	14.60		16.80						
				Low	800	16.10	13.30		33.90	4.10	1.12				
HMH72B481S	TM8E120C16MP11	24.5	XAUD60H	High	1475	48.00	33.20	18.00	9.50	48.00	30.00	7.50	5.60	3.26	2.38
				Intermediate	800	27.20	14.60		16.80						
				Low	800	16.10	13.30		33.90	4.10	1.12				
HMH72B481S	TMLE120C16MP11	24.5	XAFD60H	High	1475	48.00	33.20	18.00	9.50	48.00	30.00	7.50	5.60	3.26	2.38
				Intermediate	800	27.20	14.60		16.80						
				Low	800	16.10	13.30		33.90	4.10	1.12				
HMH72B481S	TM8E100C20MP11	24.5	XAFD60H	High	1625	48.00	34.20	17.00	9.50	48.00	30.60	7.50	5.90	3.32	2.40
				Intermediate	1200	29.20	19.70		16.50						
				Low	1200	16.70	16.50		27.45	4.80	1.12				
HMH72B481S	TMLE100C20MP11	24.5	XAFD60H	High	1625	48.00	34.20	17.00	9.50	48.00	30.60	7.50	5.90	3.32	2.40
				Intermediate	1200	29.20	19.70		16.50						
				Low	1200	16.70	16.50		27.45	4.80	1.12				
HMH72B481S	TM8E100C20MP11	24.5	XAFD60H	High	1625	48.00	34.20	17.00	9.50	48.00	30.60	7.50	5.90	3.32	2.40
				Intermediate	1200	29.20	19.70		16.50						
				Low	1200	16.70	16.50		27.45	4.80	1.12				
HMH72B481S	TMLE100C20MP11	24.5	XAUD60H	High	1625	48.00	34.20	17.00	9.50	48.00	30.60	7.50	5.90	3.32	2.40
				Intermediate	1200	29.20	19.70		16.50						
				Low	1200	16.70	16.50		27.45	4.80	1.12				
HMH72B481S	TM8E100C20MP11	24.5	XAFD60H	High	1625	48.00	34.20	17.00	9.50	48.00	30.60	7.50	5.90	3.32	2.40
				Intermediate	1200	29.20	19.70		16.50						
				Low	1200	16.70	16.50		27.45	4.80	1.12				
HMH72B481S	TMLE100C20MP11	24.5	XAUD60H	High	1625	48.00	34.20	17.00	9.50	48.00	30.60	7.50	5.90	3.32	2.40
				Intermediate	1200	29.20	19.70		16.50						
				Low	1200	16.70	16.50		27.45	4.80	1.12				
HMH72B481S	TM8E100C16MP11	24.5	XAFD60H	High	1475	48.00	33.20	18.00	9.50	48.00	30.00	7.50	5.60	3.26	2.38
				Intermediate	800	27.20	14.60		16.80						
				Low	800	16.10	13.30		33.95	4.10	1.12				
HMH72B481S	TMLE100C16MP11	24.5	XAFD60H	High	1475	48.00	33.20	18.00	9.50	48.00	30.00	7.50	5.60	3.26	2.38
				Intermediate	800	27.20	14.60		16.80						
				Low	800	16.10	13.30		33.95	4.10	1.12				
HMH72B481S	TM8E100C16MP11	24.5	XAUD60H	High	1475	48.00	33.20	18.00	9.50	48.00	30.00	7.50	5.60	3.26	2.38
				Intermediate	800	27.20	14.60		16.80						
				Low	800	16.10	13.30		33.95	4.10	1.12				
HMH72B481S	TMLE100C16MP11	24.5	XAFD60H	High	1475	48.00	33.20	18.00	9.50	48.00	30.00	7.50	5.60	3.26	2.38
				Intermediate	800	27.20	14.60		16.80						
				Low	800	16.10	13.30		33.95	4.10	1.12				
HMH72B481S	TM8E100C16MP11	24.5	XAUD60H	High	1475	48.00	33.20	18.00	9.50	48.00	30.00	7.50	5.60	3.26	2.38
				Intermediate	800	27.20	14.60		16.80						
				Low	800	16.10	13.30		33.95	4.10	1.12				
HMH72B481S	TM8E080C20MP11	24.5	XAFD60H	High	1625	48.00	34.20	17.00	9.50	48.00	30.60	7.50	5.90	3.32	2.40
				Intermediate	1200	29.20	19.70		16.55						
				Low	1200	16.70	16.40		27.60	4.80	1.12				

**Table 9: Furnace capacity - 4 ton**

Outdoor unit model	Furnace model	Furnace width (in.)	Indoor coil model	Stage	Rated CFM	Net cool (MBH)	Sens cool (MBH)	SEER2	EER2	Net47 (MBH)	Net17 (MBH)	HSPF2 IV	HSPF2 V	Cop47	Cop17
HMH72B481S	TMLE080C20MP11	24.5	XAFD60H	High	1625	48.00	34.20	17.00	9.50	48.00	30.60	7.50	5.90	3.32	2.40
				Intermediate	1200	29.20	19.70		16.55						
				Low	1200	16.70	16.40		27.60	4.80					
HMH72B481S	TM8E080C20MP11	24.5	XAFD60H	High	1625	48.00	34.20	17.00	9.50	48.00	30.60	7.50	5.90	3.32	2.40
				Intermediate	1200	29.20	19.70		16.55						
				Low	1200	16.70	16.40		27.60	4.80					
HMH72B481S	TM8E080C20MP11	24.5	XAUD60H	High	1625	48.00	34.20	17.00	9.50	48.00	30.60	7.50	5.90	3.32	2.40
				Intermediate	1200	29.20	19.70		16.55						
				Low	1200	16.70	16.40		27.60	4.80					
HMH72B481S	TMLE080C20MP11	24.5	XAFD60H	High	1625	48.00	34.20	17.00	9.50	48.00	30.60	7.50	5.90	3.32	2.40
				Intermediate	1200	29.20	19.70		16.55						
				Low	1200	16.70	16.40		27.60	4.80					
HMH72B481S	TMLE080C20MP11	24.5	XAUD60H	High	1625	48.00	34.20	17.00	9.50	48.00	30.60	7.50	5.90	3.32	2.40
				Intermediate	1200	29.20	19.70		16.55						
				Low	1200	16.70	16.40		27.60	4.80					
HMH72B481S	TM8E080C16MP11	24.5	XAFD60H	High	1475	48.00	33.20	18.00	9.50	48.00	30.00	7.50	5.60	3.26	2.38
				Intermediate	825	27.40	15.00		16.85						
				Low	825	16.20	13.50		33.70	4.50					
HMH72B481S	TMLE080C16MP11	24.5	XAFD60H	High	1475	48.00	33.20	18.00	9.50	48.00	30.00	7.50	5.60	3.26	2.38
				Intermediate	825	27.40	15.00		16.85						
				Low	825	16.20	13.50		33.70	4.50					
HMH72B481S	TM8E080C16MP11	24.5	XAFD60H	High	1475	48.00	33.20	18.00	9.50	48.00	30.00	7.50	5.60	3.26	2.38
				Intermediate	825	27.40	15.00		16.85						
				Low	825	16.20	13.50		33.70	4.50					
HMH72B481S	TM8E080C16MP11	24.5	XAUD60H	High	1475	48.00	33.20	18.00	9.50	48.00	30.00	7.50	5.60	3.26	2.38
				Intermediate	825	27.40	15.00		16.85						
				Low	825	16.20	13.50		33.70	4.50					
HMH72B481S	TMLE080C16MP11	24.5	XAFD60H	High	1475	48.00	33.20	18.00	9.50	48.00	30.00	7.50	5.60	3.26	2.38
				Intermediate	825	27.40	15.00		16.85						
				Low	825	16.20	13.50		33.70	4.50					
HMH72B481S	TMLE080C16MP11	24.5	XAUD60H	High	1475	48.00	33.20	18.00	9.50	48.00	30.00	7.50	5.60	3.26	2.38
				Intermediate	825	27.40	15.00		16.85						
				Low	825	16.20	13.50		33.70	4.50					
HMH72B481S	TL9E100C20UH11	21.0	XAHC60H	High	1500	47.00	32.80	17.00	9.50	47.00	29.40	7.50	6.00	3.24	2.36
				Intermediate	1125	28.20	18.20		16.50						
				Low	1125	16.30	15.50		29.25	4.90					
HMH72B481S	TL9E100C20UH11	21.0	XAHC60H	High	1500	47.00	32.80	17.00	9.50	47.00	29.40	7.50	6.00	3.24	2.36
				Intermediate	1125	28.20	18.20		16.50						
				Low	1125	16.30	15.50		29.25	4.90					
HMH72B481S	TM9Y120D20MP11	24.5	XAHD60H	High	1450	46.50	32.00	17.50	9.50	47.00	29.20	7.50	5.70	3.20	2.36
				Intermediate	950	27.40	16.00		16.60						
				Low	950	16.10	14.20		31.75	4.30					
HMH72B481S	TM9Y120D20MP11	24.5	XAHD60H	High	1450	46.50	32.00	17.50	9.50	47.00	29.20	7.50	5.70	3.20	2.36
				Intermediate	950	27.40	16.00		16.60						
				Low	950	16.10	14.20		31.75	4.30					
HMH72B481S	TM9Y100C20MP11	24.5	XAFD60J	High	1575	46.50	34.00	16.50	9.00	48.00	30.80	7.80	6.40	3.30	2.38
				Intermediate	1175	28.80	20.20		16.25						
				Low	1175	16.60	16.30		27.10	5.00					
HMH72B481S	TM9Y100C20MP11	24.5	XAFD60J	High	1575	46.50	34.00	16.50	9.00	48.00	30.80	7.80	6.40	3.30	2.38
				Intermediate	1175	28.80	20.20		16.25						
				Low	1175	16.60	16.30		27.10	5.00					
HMH72B481S	TM9V120D20MP12C	24.5	XAHD60H	High	1475	47.00	32.60	17.50	9.50	47.00	29.20	7.50	5.75	3.24	2.38
				Intermediate	925	27.40	15.90		16.45						
				Low	925	16.00	14.00		31.30	4.50					
HMH72B481S	TP9C120D20MP13C	24.5	XAHD60H	High	1475	47.00	32.60	17.50	9.50	47.00	29.20	7.50	5.75	3.24	2.38
				Intermediate	925	27.40	15.90		16.45						
				Low	925	16.00	14.00		31.30	4.50					
HMH72B481S	YP9C120D20MP13C	24.5	XAHD60H	High	1475	47.00	32.60	17.50	9.50	47.00	29.20	7.50	5.75	3.24	2.38
				Intermediate	925	27.40	15.90		16.45						
				Low	925	16.00	14.00		31.30	4.50					



**Table 9: Furnace capacity - 4 ton**

Outdoor unit model	Furnace model	Furnace width (in.)	Indoor coil model	Stage	Rated CFM	Net cool (MBH)	Sens cool (MBH)	SEER2	EER2	Net47 (MBH)	Net17 (MBH)	HSPF2 IV	HSPF2 V	Cop47	Cop17
HMH72B481S	TM9V120D20MP12C	24.5	XAHD60H	High	1475	47.00	32.60	17.50	9.50	47.00	29.20	7.50	5.75	3.24	2.38
				Intermediate	925	27.40	15.90		16.45						
				Low	925	16.00	14.00		31.30						
HMH72B481S	TP9C120D20MP13C	24.5	XAHD60H	High	1475	47.00	32.60	17.50	9.50	47.00	29.20	7.50	5.75	3.24	2.38
				Intermediate	925	27.40	15.90		16.45						
				Low	925	16.00	14.00		31.30						
HMH72B481S	YP9C120D20MP13C	24.5	XAHD60H	High	1475	47.00	32.60	17.50	9.50	47.00	29.20	7.50	5.75	3.24	2.38
				Intermediate	925	27.40	15.90		16.45						
				Low	925	16.00	14.00		31.30						
HMH72B481S	TM9E120D20MP12	24.5	XAHD60J	High	1475	45.50	32.60	16.00	9.00	46.00	29.60	7.50	5.85	3.24	2.36
				Intermediate	1175	28.20	19.70		15.85						
				Low	1175	16.20	15.90		26.30						
HMH72B481S	TM9E120D20MP12	24.5	XAHD60J	High	1475	45.50	32.60	16.00	9.00	46.00	29.60	7.50	5.85	3.24	2.36
				Intermediate	1175	28.20	19.70		15.85						
				Low	1175	16.20	15.90		26.30						
HMH72B481S	TM9E100C20MP12	21.0	XAHC60H	High	1400	47.00	32.20	16.50	9.50	46.50	28.80	7.50	6.00	3.22	2.36
				Intermediate	1175	28.40	18.80		16.20						
				Low	1175	16.30	15.90		27.25						
HMH72B481S	TM9E100C20MP12	21.0	XAHC60H	High	1400	47.00	32.20	16.50	9.50	46.50	28.80	7.50	6.00	3.22	2.36
				Intermediate	1175	28.40	18.80		16.20						
				Low	1175	16.30	15.90		27.25						
HMH72B481S	TM9E100C16MP12	21.0	XAHC60H	High	1500	47.00	32.80	18.00	9.00	47.50	29.60	7.50	5.85	3.18	2.32
				Intermediate	875	27.20	15.20		16.80						
				Low	875	16.00	13.60		34.05						
HMH72B481S	TM9E100C16MP12	21.0	XAHC60H	High	1500	47.00	32.80	18.00	9.00	47.50	29.60	7.50	5.85	3.18	2.32
				Intermediate	875	27.20	15.20		16.80						
				Low	875	16.00	13.60		34.05						
HMH72B481S	TM9E080C20MP12	21.0	XAHC60H	High	1400	47.00	32.20	16.50	9.50	46.50	28.80	7.50	6.00	3.20	2.36
				Intermediate	1200	28.60	19.20		16.20						
				Low	1200	16.40	16.10		27.00						
HMH72B481S	TM9E080C20MP12	21.0	XAHC60H	High	1400	47.00	32.20	16.50	9.50	46.50	28.80	7.50	6.00	3.20	2.36
				Intermediate	1200	28.60	19.20		16.20						
				Low	1200	16.40	16.10		27.00						
HMH72B481S	TM9E080C16MP12	21.0	XAHC60H	High	1450	46.50	32.00	18.00	9.50	47.50	29.60	7.50	5.95	3.16	2.32
				Intermediate	850	27.00	14.80		16.80						
				Low	850	16.00	13.40		34.55						
HMH72B481S	TM9E080C16MP12	21.0	XAHC60H	High	1450	46.50	32.00	18.00	9.50	47.50	29.60	7.50	5.95	3.16	2.32
				Intermediate	850	27.00	14.80		16.80						
				Low	850	16.00	13.40		34.55						
HMH72B481S	TM9E060B12MP12	21.0	XAHC60H	High	1200	45.50	29.80	17.00	9.00	46.00	28.80	7.50	6.10	3.04	2.28
				Intermediate	775	26.60	14.10		16.15						
				Low	775	15.70	12.90		31.50						
HMH72B481S	TM9E060B12MP12	21.0	XAHC60H	High	1200	45.50	29.80	17.00	9.00	46.00	28.80	7.50	6.10	3.04	2.28
				Intermediate	775	26.60	14.10		16.15						
				Low	775	15.70	12.90		31.50						
HMH72B481S	TM8V100C20MP12C	24.5	XAHD60H	High	1750	48.00	34.80	16.50	9.00	48.00	30.40	7.50	6.05	3.30	2.38
				Intermediate	1175	28.40	18.80		16.35						
				Low	1175	16.40	15.90		28.05						
HMH72B481S	TM8V100C20MP12C	24.5	XAHD60H	High	1750	48.00	34.80	16.50	9.00	48.00	30.40	7.50	6.05	3.30	2.38
				Intermediate	1175	28.40	18.80		16.35						
				Low	1175	16.40	15.90		28.05						
HMH72B481S	TM8V100C16MP12C	24.5	XAHD60H	High	1400	46.50	31.80	17.00	9.50	46.50	29.00	7.50	5.85	3.18	2.34
				Intermediate	875	27.00	15.20		16.20						
				Low	875	15.80	13.60		30.65						
HMH72B481S	TM8V080C16MP12C	24.5	XAHD60H	High	1400	46.50	31.80	17.00	9.50	46.50	29.00	7.50	5.85	3.18	2.34
				Intermediate	875	27.00	15.20		16.20						
				Low	875	15.80	13.60		30.65						
HMH72B481S	TMLV100C16MP12C	24.5	XAHD60H	High	1400	46.50	31.80	17.00	9.50	46.50	29.00	7.50	5.85	3.18	2.34
				Intermediate	875	27.00	15.20		16.20						
				Low	875	15.80	13.60		30.65						

**Table 9: Furnace capacity - 4 ton**

Outdoor unit model	Furnace model	Furnace width (in.)	Indoor coil model	Stage	Rated CFM	Net cool (MBH)	Sens cool (MBH)	SEER2	EER2	Net47 (MBH)	Net17 (MBH)	HSPF2 IV	HSPF2 V	Cop47	Cop17
HMH72B481S	TPLC080C16MP13C	24.5	XAHD60H	High	1400	46.50	31.80	17.00	9.50	46.50	29.00	7.50	5.85	3.18	2.34
				Intermediate	875	27.00	15.20		16.20						
				Low	875	15.80	13.60		30.65	4.70					
HMH72B481S	TPLC100C16MP13C	24.5	XAHD60H	High	1400	46.50	31.80	17.00	9.50	46.50	29.00	7.50	5.85	3.18	2.34
				Intermediate	875	27.00	15.20		16.20						
				Low	875	15.80	13.60		30.65	4.70					
HMH72B481S	YPLC080C16MP13C	24.5	XAHD60H	High	1400	46.50	31.80	17.00	9.50	46.50	29.00	7.50	5.85	3.18	2.34
				Intermediate	875	27.00	15.20		16.20						
				Low	875	15.80	13.60		30.65	4.70					
HMH72B481S	YPLC100C16MP13C	24.5	XAHD60H	High	1400	46.50	31.80	17.00	9.50	46.50	29.00	7.50	5.85	3.18	2.34
				Intermediate	875	27.00	15.20		16.20						
				Low	875	15.80	13.60		30.65	4.70					
HMH72B481S	TM8V100C16MP12C	24.5	XAHD60H	High	1400	46.50	31.80	17.00	9.50	46.50	29.00	7.50	5.85	3.18	2.34
				Intermediate	875	27.00	15.20		16.20						
				Low	875	15.80	13.60		30.65	4.70					
HMH72B481S	TM8V080C16MP12C	24.5	XAHD60H	High	1400	46.50	31.80	17.00	9.50	46.50	29.00	7.50	5.85	3.18	2.34
				Intermediate	875	27.00	15.20		16.20						
				Low	875	15.80	13.60		30.65	4.70					
HMH72B481S	TMLV100C16MP12C	24.5	XAHD60H	High	1400	46.50	31.80	17.00	9.50	46.50	29.00	7.50	5.85	3.18	2.34
				Intermediate	875	27.00	15.20		16.20						
				Low	875	15.80	13.60		30.65	4.70					
HMH72B481S	TPLC080C16MP13C	24.5	XAHD60H	High	1400	46.50	31.80	17.00	9.50	46.50	29.00	7.50	5.85	3.18	2.34
				Intermediate	875	27.00	15.20		16.20						
				Low	875	15.80	13.60		30.65	4.70					
HMH72B481S	TPLC100C16MP13C	24.5	XAHD60H	High	1400	46.50	31.80	17.00	9.50	46.50	29.00	7.50	5.85	3.18	2.34
				Intermediate	875	27.00	15.20		16.20						
				Low	875	15.80	13.60		30.65	4.70					
HMH72B481S	YPLC080C16MP13C	24.5	XAHD60H	High	1400	46.50	31.80	17.00	9.50	46.50	29.00	7.50	5.85	3.18	2.34
				Intermediate	875	27.00	15.20		16.20						
				Low	875	15.80	13.60		30.65	4.70					
HMH72B481S	YPLC100C16MP13C	24.5	XAHD60H	High	1400	46.50	31.80	17.00	9.50	46.50	29.00	7.50	5.85	3.18	2.34
				Intermediate	875	27.00	15.20		16.20						
				Low	875	15.80	13.60		30.65	4.70					
HMH72B481S	TM8E130D20MP11	24.5	XAHD60H	High	1500	47.00	32.80	16.00	9.50	47.00	29.40	7.50	6.00	3.24	2.36
				Intermediate	1200	28.40	19.10		16.00						
				Low	1200	16.30	16.10		26.10	4.80					
HMH72B481S	TMLE130D20MP11	24.5	XAHD60H	High	1500	47.00	32.80	16.00	9.50	47.00	29.40	7.50	6.00	3.24	2.36
				Intermediate	1200	28.40	19.10		16.00						
				Low	1200	16.30	16.10		26.10	4.80					
HMH72B481S	TM8E130D20MP11	24.5	XAHD60H	High	1500	47.00	32.80	16.00	9.50	47.00	29.40	7.50	6.00	3.24	2.36
				Intermediate	1200	28.40	19.10		16.00						
				Low	1200	16.30	16.10		26.10	4.80					
HMH72B481S	TMLE130D20MP11	24.5	XAHD60H	High	1500	47.00	32.80	16.00	9.50	47.00	29.40	7.50	6.00	3.24	2.36
				Intermediate	1200	28.40	19.10		16.00						
				Low	1200	16.30	16.10		26.10	4.80					
HMH72B481S	TM8E120C20MP11	24.5	XAFD60J	High	1375	46.50	32.60	16.50	9.50	46.50	29.60	7.80	6.25	3.32	2.42
				Intermediate	1200	29.00	20.60		16.10						
				Low	1200	16.60	16.40		26.30	5.70					
HMH72B481S	TMLE120C20MP11	24.5	XAFD60J	High	1375	46.50	32.60	16.50	9.50	46.50	29.60	7.80	6.25	3.32	2.42
				Intermediate	1200	29.00	20.60		16.10						
				Low	1200	16.60	16.40		26.30	5.70					
HMH72B481S	TM8E120C20MP11	24.5	XAFD60J	High	1375	46.50	32.60	16.50	9.50	46.50	29.60	7.80	6.25	3.32	2.42
				Intermediate	1200	29.00	20.60		16.10						
				Low	1200	16.60	16.40		26.30	5.70					
HMH72B481S	TMLE120C20MP11	24.5	XAFD60J	High	1375	46.50	32.60	16.50	9.50	46.50	29.60	7.80	6.25	3.32	2.42
				Intermediate	1200	29.00	20.60		16.10						
				Low	1200	16.60	16.40		26.30	5.70					
HMH72B481S	TM8E100C20MP11	24.5	XAFD60J	High	1400	46.50	32.80	16.50	9.50	46.50	29.60	7.80	6.25	3.32	2.42
				Intermediate	1175	28.80	20.20		16.20						
				Low	1175	16.60	16.30		27.00	5.30					

**Table 9: Furnace capacity - 4 ton**

Outdoor unit model	Furnace model	Furnace width (in.)	Indoor coil model	Stage	Rated CFM	Net cool (MBH)	Sens cool (MBH)	SEER2	EER2	Net47 (MBH)	Net17 (MBH)	HSPF2 IV	HSPF2 V	Cop47	Cop17
HMH72B481S	TMLE100C20MP11	24.5	XAFD60J	High	1400	46.50	32.80	16.50	9.50	46.50	29.60	7.80	6.25	3.32	2.42
				Intermediate	1175	28.80	20.20		16.20						
				Low	1175	16.60	16.30		27.00						
HMH72B481S	TM8E100C20MP11	24.5	XAFD60J	High	1400	46.50	32.80	16.50	9.50	46.50	29.60	7.80	6.25	3.32	2.42
				Intermediate	1175	28.80	20.20		16.20						
				Low	1175	16.60	16.30		27.00						
HMH72B481S	TMLE100C20MP11	24.5	XAFD60J	High	1400	46.50	32.80	16.50	9.50	46.50	29.60	7.80	6.25	3.32	2.42
				Intermediate	1175	28.80	20.20		16.20						
				Low	1175	16.60	16.30		27.00						
HMH72B481S	TM8E080C20MP11	24.5	XAFD60J	High	1425	46.50	33.00	16.50	9.50	46.50	29.80	7.80	6.25	3.32	2.42
				Intermediate	1175	29.00	20.40		16.30						
				Low	1175	16.60	16.20		27.30						
HMH72B481S	TMLE080C20MP11	24.5	XAFD60J	High	1425	46.50	33.00	16.50	9.50	46.50	29.80	7.80	6.25	3.32	2.42
				Intermediate	1175	29.00	20.40		16.30						
				Low	1175	16.60	16.20		27.30						
HMH72B481S	TM8E080C20MP11	24.5	XAFD60J	High	1425	46.50	33.00	16.50	9.50	46.50	29.80	7.80	6.25	3.32	2.42
				Intermediate	1175	29.00	20.40		16.30						
				Low	1175	16.60	16.20		27.30						
HMH72B481S	TMLE080C20MP11	24.5	XAFD60J	High	1425	46.50	33.00	16.50	9.50	46.50	29.80	7.80	6.25	3.32	2.42
				Intermediate	1175	29.00	20.40		16.30						
				Low	1175	16.60	16.20		27.30						
HMH72B481S	TL9E100C20UH11	24.5	XAHD60H	High	1475	47.00	32.60	17.00	9.50	47.00	29.40	7.50	5.70	3.22	2.36
				Intermediate	1100	28.00	17.80		16.30						
				Low	1100	16.30	15.40		28.60						
HMH72B481S	TL9E100C20UH11	24.5	XAHD60H	High	1475	47.00	32.60	17.00	9.50	47.00	29.40	7.50	5.70	3.22	2.36
				Intermediate	1100	28.00	17.80		16.30						
				Low	1100	16.30	15.40		28.60						
HMH72B481S	TL9E080C16UH11	24.5	XAHD60H	High	1300	46.00	30.80	17.00	9.50	46.50	28.80	7.50	5.75	3.12	2.32
				Intermediate	900	27.20	15.60		16.25						
				Low	900	15.90	13.80		30.60						
HMH72B481S	TL9E080C16UH11	24.5	XAHD60H	High	1300	46.00	30.80	17.00	9.50	46.50	28.80	7.50	5.75	3.12	2.32
				Intermediate	900	27.20	15.60		16.25						
				Low	900	15.90	13.80		30.60						
HMH72B481S	TL8E100C20UH11	24.5	XAHD60H	High	1475	47.00	32.60	17.50	9.50	47.00	29.20	7.50	5.70	3.22	2.36
				Intermediate	1025	27.80	17.00		16.55						
				Low	1025	16.20	14.80		30.55						
HMH72B481S	TL8E100C20UH11	24.5	XAHD60H	High	1475	47.00	32.60	17.50	9.50	47.00	29.20	7.50	5.70	3.22	2.36
				Intermediate	1025	27.80	17.00		16.55						
				Low	1025	16.20	14.80		30.55						
HMH72B481S	TL8E080C16UH11	24.5	XAHD60H	High	1450	46.50	32.00	17.00	9.50	47.00	29.40	7.50	5.60	3.18	2.34
				Intermediate	925	27.20	15.70		16.35						
				Low	925	16.00	14.00		30.65						
HMH72B481S	TL8E080C16UH11	24.5	XAHD60H	High	1450	46.50	32.00	17.00	9.50	47.00	29.40	7.50	5.60	3.18	2.34
				Intermediate	925	27.20	15.70		16.35						
				Low	925	16.00	14.00		30.65						
HMH72B481S	TM9Y120D20MP11	24.5	XAFD60H	High	1450	47.50	32.80	17.50	9.50	48.00	29.80	7.50	5.50	3.26	2.40
				Intermediate	925	27.80	16.10		16.80						
				Low	925	16.30	14.30		32.10						
HMH72B481S	TM9Y120D20MP11	24.5	XAFD60H	High	1450	47.50	32.80	17.50	9.50	48.00	29.80	7.50	5.50	3.26	2.40
				Intermediate	925	27.80	16.10		16.80						
				Low	925	16.30	14.30		32.10						
HMH72B481S	TM9Y120D20MP11	24.5	XAUD60H	High	1450	47.50	32.80	17.50	9.50	48.00	29.80	7.50	5.50	3.26	2.40
				Intermediate	925	27.80	16.10		16.80						
				Low	925	16.30	14.30		32.10						
HMH72B481S	TM9Y100C20MP11	21.0	XAFC60H	High	1400	47.50	32.40	16.50	9.50	47.50	29.80	7.50	5.95	3.22	2.38
				Intermediate	1125	28.60	18.70		16.10						
				Low	1125	16.50	15.90		26.40						
HMH72B481S	TM9Y100C20MP11	21.0	XAFC60H	High	1400	47.50	32.40	16.50	9.50	47.50	29.80	7.50	5.95	3.22	2.38
				Intermediate	1125	28.60	18.70		16.10						
				Low	1125	16.50	15.90		26.40						

**Table 9: Furnace capacity - 4 ton**

Outdoor unit model	Furnace model	Furnace width (in.)	Indoor coil model	Stage	Rated CFM	Net cool (MBH)	Sens cool (MBH)	SEER2	EER2	Net47 (MBH)	Net17 (MBH)	HSPF2 IV	HSPF2 V	Cop47	Cop17
HMH72B481S	TM9V120D20MP12C	24.5	XAFD60H	High	1475	48.00	33.20	17.50	9.50	47.50	29.80	7.50	5.35	3.30	2.42
				Intermediate	925	27.80	16.20		16.70						
				Low	925	16.30	14.30		31.50	4.50					
HMH72B481S	TP9C120D20MP13C	24.5	XAFD60H	High	1475	48.00	33.20	17.50	9.50	47.50	29.80	7.50	5.35	3.30	2.42
				Intermediate	925	27.80	16.20		16.70						
				Low	925	16.30	14.30		31.50	4.50					
HMH72B481S	YP9C120D20MP13C	24.5	XAFD60H	High	1475	48.00	33.20	17.50	9.50	47.50	29.80	7.50	5.35	3.30	2.42
				Intermediate	925	27.80	16.20		16.70						
				Low	925	16.30	14.30		31.50	4.50					
HMH72B481S	TM9V120D20MP12C	24.5	XAFD60H	High	1475	48.00	33.20	17.50	9.50	47.50	29.80	7.50	5.35	3.30	2.42
				Intermediate	925	27.80	16.20		16.70						
				Low	925	16.30	14.30		31.50	4.50					
HMH72B481S	TM9V120D20MP12C	24.5	XAUD60H	High	1475	48.00	33.20	17.50	9.50	47.50	29.80	7.50	5.35	3.30	2.42
				Intermediate	925	27.80	16.20		16.70						
				Low	925	16.30	14.30		31.50	4.50					
HMH72B481S	TP9C120D20MP13C	24.5	XAFD60H	High	1475	48.00	33.20	17.50	9.50	47.50	29.80	7.50	5.35	3.30	2.42
				Intermediate	925	27.80	16.20		16.70						
				Low	925	16.30	14.30		31.50	4.50					
HMH72B481S	TP9C120D20MP13C	24.5	XAUD60H	High	1475	48.00	33.20	17.50	9.50	47.50	29.80	7.50	5.35	3.30	2.42
				Intermediate	925	27.80	16.20		16.70						
				Low	925	16.30	14.30		31.50	4.50					
HMH72B481S	YP9C120D20MP13C	24.5	XAFD60H	High	1475	48.00	33.20	17.50	9.50	47.50	29.80	7.50	5.35	3.30	2.42
				Intermediate	925	27.80	16.20		16.70						
				Low	925	16.30	14.30		31.50	4.50					
HMH72B481S	YP9C120D20MP13C	24.5	XAUD60H	High	1475	48.00	33.20	17.50	9.50	47.50	29.80	7.50	5.35	3.30	2.42
				Intermediate	925	27.80	16.20		16.70						
				Low	925	16.30	14.30		31.50	4.50					
HMH72B481S	TM9E120D20MP12	24.5	XAFD60J	High	1625	47.00	34.80	16.50	9.00	48.00	30.80	7.80	6.30	3.36	2.42
				Intermediate	1200	29.00	20.60		16.35						
				Low	1200	16.70	16.50		27.30	5.30					
HMH72B481S	TM9E120D20MP12	24.5	XAFD60J	High	1625	47.00	34.80	16.50	9.00	48.00	30.80	7.80	6.30	3.36	2.42
				Intermediate	1200	29.00	20.60		16.35						
				Low	1200	16.70	16.50		27.30	5.30					
HMH72B481S	TM9E100C20MP12	24.5	XAFD60H	High	1575	48.00	33.80	17.00	9.50	48.00	30.40	7.50	5.90	3.30	2.40
				Intermediate	1175	29.00	19.30		16.55						
				Low	1175	16.70	16.30		27.85	5.00					
HMH72B481S	TM9E100C20MP12	24.5	XAFD60H	High	1575	48.00	33.80	17.00	9.50	48.00	30.40	7.50	5.90	3.30	2.40
				Intermediate	1175	29.00	19.30		16.55						
				Low	1175	16.70	16.30		27.85	5.00					
HMH72B481S	TM9E100C20MP12	24.5	XAUD60H	High	1575	48.00	33.80	17.00	9.50	48.00	30.40	7.50	5.90	3.30	2.40
				Intermediate	1175	29.00	19.30		16.55						
				Low	1175	16.70	16.30		27.85	5.00					
HMH72B481S	TM9E100C16MP12	24.5	XAFD60H	High	1500	48.00	33.40	17.50	9.50	48.00	30.20	7.50	5.75	3.24	2.36
				Intermediate	775	27.20	14.40		16.70						
				Low	775	16.10	13.20		33.60	4.70					
HMH72B481S	TM9E100C16MP12	24.5	XAFD60H	High	1500	48.00	33.40	17.50	9.50	48.00	30.20	7.50	5.75	3.24	2.36
				Intermediate	775	27.20	14.40		16.70						
				Low	775	16.10	13.20		33.60	4.70					
HMH72B481S	TM9E100C16MP12	24.5	XAUD60H	High	1500	48.00	33.40	17.50	9.50	48.00	30.20	7.50	5.75	3.24	2.36
				Intermediate	775	27.20	14.40		16.70						
				Low	775	16.10	13.20		33.60	4.70					
HMH72B481S	TM9E080C20MP12	24.5	XAFD60H	High	1625	48.00	34.20	17.00	9.50	48.00	30.60	7.50	5.90	3.32	2.40
				Intermediate	1200	29.20	19.70		16.55						
				Low	1200	16.70	16.40		27.65	4.80					
HMH72B481S	TM9E080C20MP12	24.5	XAFD60H	High	1625	48.00	34.20	17.00	9.50	48.00	30.60	7.50	5.90	3.32	2.40
				Intermediate	1200	29.20	19.70		16.55						
				Low	1200	16.70	16.40		27.65	4.80					
HMH72B481S	TM9E080C20MP12	24.5	XAUD60H	High	1625	48.00	34.20	17.00	9.50	48.00	30.60	7.50	5.90	3.32	2.40
				Intermediate	1200	29.20	19.70		16.55						
				Low	1200	16.70	16.40		27.65	4.80					

**Table 9: Furnace capacity - 4 ton**

Outdoor unit model	Furnace model	Furnace width (in.)	Indoor coil model	Stage	Rated CFM	Net cool (MBH)	Sens cool (MBH)	SEER2	EER2	Net47 (MBH)	Net17 (MBH)	HSPF2 IV	HSPF2 V	Cop47	Cop17
HMH72B481S	TM9E080C16MP12	24.5	XAFD60H	High	1425	47.50	32.60	17.50	9.50	48.00	30.00	7.50	5.75	3.20	2.36
				Intermediate	750	27.00	14.10		16.70						
				Low	750	16.00	12.90		33.90						
HMH72B481S	TM9E080C16MP12	24.5	XAFD60H	High	1425	47.50	32.60	17.50	9.50	48.00	30.00	7.50	5.75	3.20	2.36
				Intermediate	750	27.00	14.10		16.70						
				Low	750	16.00	12.90		33.90						
HMH72B481S	TM9E080C16MP12	24.5	XAUD60H	High	1425	47.50	32.60	17.50	9.50	48.00	30.00	7.50	5.75	3.20	2.36
				Intermediate	750	27.00	14.10		16.70						
				Low	750	16.00	12.90		33.90						
HMH72B481S	TM8Y120C20MP11	24.5	XAHD60H	High	1400	46.50	31.80	17.50	9.50	46.50	29.00	7.50	5.70	3.20	2.36
				Intermediate	975	27.60	16.50		16.45						
				Low	975	16.10	14.40		30.80						
HMH72B481S	TM8Y100C20MP11	24.5	XAHD60H	High	1400	46.50	31.80	17.50	9.50	46.50	29.00	7.50	5.70	3.20	2.36
				Intermediate	975	27.60	16.50		16.45						
				Low	975	16.10	14.40		30.80						
HMH72B481S	TM8Y120C20MP11	24.5	XAHD60H	High	1400	46.50	31.80	17.50	9.50	46.50	29.00	7.50	5.70	3.20	2.36
				Intermediate	975	27.60	16.50		16.45						
				Low	975	16.10	14.40		30.80						
HMH72B481S	TM8Y100C16MP11	24.5	XAHD60H	High	1400	46.50	31.80	17.50	9.50	46.50	29.00	7.50	5.70	3.20	2.36
				Intermediate	975	27.60	16.50		16.45						
				Low	975	16.10	14.40		30.80						
HMH72B481S	TM8Y120C20MP11	24.5	XAHD60H	High	1400	46.50	31.80	17.50	9.50	46.50	29.00	7.50	5.70	3.20	2.36
				Intermediate	975	27.60	16.50		16.45						
				Low	975	16.10	14.40		30.80						
HMH72B481S	TM8Y100C16MP11	24.5	XAHD60H	High	1425	46.50	31.80	18.00	9.50	47.00	29.20	7.50	5.85	3.18	2.34
				Intermediate	775	26.60	13.90		16.60						
				Low	775	15.80	12.80		34.55						
HMH72B481S	TM8Y080C16MP11	24.5	XAHD60H	High	1425	46.50	31.80	18.00	9.50	47.00	29.20	7.50	5.85	3.18	2.34
				Intermediate	775	26.60	13.90		16.60						
				Low	775	15.80	12.80		34.55						
HMH72B481S	TM8Y100C16MP11	24.5	XAHD60H	High	1425	46.50	31.80	18.00	9.50	47.00	29.20	7.50	5.85	3.18	2.34
				Intermediate	775	26.60	13.90		16.60						
				Low	775	15.80	12.80		34.55						
HMH72B481S	TM8Y080C16MP11	24.5	XAHD60H	High	1425	46.50	31.80	18.00	9.50	47.00	29.20	7.50	5.85	3.18	2.34
				Intermediate	775	26.60	13.90		16.60						
				Low	775	15.80	12.80		34.55						
HMH72B481S	TM8V120C20MP12C	21.0	XAHC60H	High	1425	47.00	32.40	17.50	9.50	46.50	29.00	7.50	5.75	3.22	2.36
				Intermediate	975	27.60	16.40		16.65						
				Low	975	16.10	14.30		31.90						
HMH72B481S	TMLV120C20MP12C	21.0	XAHC60H	High	1425	47.00	32.40	17.50	9.50	46.50	29.00	7.50	5.75	3.22	2.36
				Intermediate	975	27.60	16.40		16.65						
				Low	975	16.10	14.30		31.90						
HMH72B481S	TPLC100C20MP13C	21.0	XAHC60H	High	1425	47.00	32.40	17.50	9.50	46.50	29.00	7.50	5.75	3.22	2.36
				Intermediate	975	27.60	16.40		16.65						
				Low	975	16.10	14.30		31.90						
HMH72B481S	TPLC120C20MP13C	21.0	XAHC60H	High	1425	47.00	32.40	17.50	9.50	46.50	29.00	7.50	5.75	3.22	2.36
				Intermediate	975	27.60	16.40		16.65						
				Low	975	16.10	14.30		31.90						
HMH72B481S	YPLC100C20MP13C	21.0	XAHC60H	High	1425	47.00	32.40	17.50	9.50	46.50	29.00	7.50	5.75	3.22	2.36
				Intermediate	975	27.60	16.40		16.65						
				Low	975	16.10	14.30		31.90						
HMH72B481S	YPLC120C20MP13C	21.0	XAHC60H	High	1425	47.00	32.40	17.50	9.50	46.50	29.00	7.50	5.75	3.22	2.36
				Intermediate	975	27.60	16.40		16.65						
				Low	975	16.10	14.30		31.90						
HMH72B481S	TM8V120C20MP12C	21.0	XAHC60H	High	1425	47.00	32.40	17.50	9.50	46.50	29.00	7.50	5.75	3.22	2.36
				Intermediate	975	27.60	16.40		16.65						
				Low	975	16.10	14.30		31.90						
HMH72B481S	TMLV120C20MP12C	21.0	XAHC60H	High	1425	47.00	32.40	17.50	9.50	46.50	29.00	7.50	5.75	3.22	2.36
				Intermediate	975	27.60	16.40		16.65						
				Low	975	16.10	14.30		31.90						
HMH72B481S	TPLC100C20MP13C	21.0	XAHC60H	High	1425	47.00	32.40	17.50	9.50	46.50	29.00	7.50	5.75	3.22	2.36
				Intermediate	975	27.60	16.40		16.65						
				Low	975	16.10	14.30		31.90						

**Table 9: Furnace capacity - 4 ton**

Outdoor unit model	Furnace model	Furnace width (in.)	Indoor coil model	Stage	Rated CFM	Net cool (MBH)	Sens cool (MBH)	SEER2	EER2	Net47 (MBH)	Net17 (MBH)	HSPF2 IV	HSPF2 V	Cop47	Cop17
HMH72B481S	TPLC120C20MP13C	21.0	XAHC60H	High	1425	47.00	32.40	17.50	9.50	46.50	29.00	7.50	5.75	3.22	2.36
				Intermediate	975	27.60	16.40		16.65						
				Low	975	16.10	14.30		31.90	4.30					
HMH72B481S	YPLC100C20MP13C	21.0	XAHC60H	High	1425	47.00	32.40	17.50	9.50	46.50	29.00	7.50	5.75	3.22	2.36
				Intermediate	975	27.60	16.40		16.65						
				Low	975	16.10	14.30		31.90	4.30					
HMH72B481S	YPLC120C20MP13C	21.0	XAHC60H	High	1425	47.00	32.40	17.50	9.50	46.50	29.00	7.50	5.75	3.22	2.36
				Intermediate	975	27.60	16.40		16.65						
				Low	975	16.10	14.30		31.90	4.30					
HMH72B481S	TM8E130D20MP11	24.5	XAFD60H	High	1500	48.00	33.40	16.50	9.50	48.00	30.00	7.50	5.90	3.30	2.40
				Intermediate	1200	29.00	19.60		16.30						
				Low	1200	16.70	16.50		26.55	5.20					
HMH72B481S	TMLE130D20MP11	24.5	XAFD60H	High	1500	48.00	33.40	16.50	9.50	48.00	30.00	7.50	5.90	3.30	2.40
				Intermediate	1200	29.00	19.60		16.30						
				Low	1200	16.70	16.50		26.55	5.20					
HMH72B481S	TM8E130D20MP11	24.5	XAFD60H	High	1500	48.00	33.40	16.50	9.50	48.00	30.00	7.50	5.90	3.30	2.40
				Intermediate	1200	29.00	19.60		16.30						
				Low	1200	16.70	16.50		26.55	5.20					
HMH72B481S	TM8E130D20MP11	24.5	XAUD60H	High	1500	48.00	33.40	16.50	9.50	48.00	30.00	7.50	5.90	3.30	2.40
				Intermediate	1200	29.00	19.60		16.30						
				Low	1200	16.70	16.50		26.55	5.20					
HMH72B481S	TMLE130D20MP11	24.5	XAFD60H	High	1500	48.00	33.40	16.50	9.50	48.00	30.00	7.50	5.90	3.30	2.40
				Intermediate	1200	29.00	19.60		16.30						
				Low	1200	16.70	16.50		26.55	5.20					
HMH72B481S	TMLE130D20MP11	24.5	XAUD60H	High	1500	48.00	33.40	16.50	9.50	48.00	30.00	7.50	5.90	3.30	2.40
				Intermediate	1200	29.00	19.60		16.30						
				Low	1200	16.70	16.50		26.55	5.20					
HMH72B481S	TM8E120C20MP11	21.0	X AFC60H	High	1375	47.50	32.20	16.50	10.00	47.50	29.40	7.50	5.90	3.26	2.40
				Intermediate	1200	29.00	19.60		16.25						
				Low	1200	16.60	16.40		26.30	5.20					
HMH72B481S	TMLE120C20MP11	21.0	X AFC60H	High	1375	47.50	32.20	16.50	10.00	47.50	29.40	7.50	5.90	3.26	2.40
				Intermediate	1200	29.00	19.60		16.25						
				Low	1200	16.60	16.40		26.30	5.20					
HMH72B481S	TM8E120C20MP11	21.0	X AFC60H	High	1375	47.50	32.20	16.50	10.00	47.50	29.40	7.50	5.90	3.26	2.40
				Intermediate	1200	29.00	19.60		16.25						
				Low	1200	16.60	16.40		26.30	5.20					
HMH72B481S	TMLE120C20MP11	21.0	X AFC60H	High	1375	47.50	32.20	16.50	10.00	47.50	29.40	7.50	5.90	3.26	2.40
				Intermediate	1200	29.00	19.60		16.25						
				Low	1200	16.60	16.40		26.30	5.20					
HMH72B481S	TM8E100C20MP11	21.0	X AFC60H	High	1400	47.50	32.40	16.50	10.00	47.50	29.40	7.50	5.90	3.26	2.40
				Intermediate	1175	29.00	19.40		16.35						
				Low	1175	16.60	16.20		27.00	4.80					
HMH72B481S	TMLE100C20MP11	21.0	X AFC60H	High	1400	47.50	32.40	16.50	10.00	47.50	29.40	7.50	5.90	3.26	2.40
				Intermediate	1175	29.00	19.40		16.35						
				Low	1175	16.60	16.20		27.00	4.80					
HMH72B481S	TM8E100C20MP11	21.0	X AFC60H	High	1400	47.50	32.40	16.50	10.00	47.50	29.40	7.50	5.90	3.26	2.40
				Intermediate	1175	29.00	19.40		16.35						
				Low	1175	16.60	16.20		27.00	4.80					
HMH72B481S	TMLE100C20MP11	21.0	X AFC60H	High	1400	47.50	32.40	16.50	10.00	47.50	29.40	7.50	5.90	3.26	2.40
				Intermediate	1175	29.00	19.40		16.35						
				Low	1175	16.60	16.20		27.00	4.80					
HMH72B481S	TM8E080C20MP11	21.0	X AFC60H	High	1425	48.00	33.00	17.00	10.00	47.50	29.60	7.50	5.90	3.28	2.40
				Intermediate	1175	29.00	19.40		16.40						
				Low	1175	16.60	16.20		27.30	5.30					
HMH72B481S	TMLE080C20MP11	21.0	X AFC60H	High	1425	48.00	33.00	17.00	10.00	47.50	29.60	7.50	5.90	3.28	2.40
				Intermediate	1175	29.00	19.40		16.40						
				Low	1175	16.60	16.20		27.30	5.30					
HMH72B481S	TM8E080C20MP11	21.0	X AFC60H	High	1425	48.00	33.00	17.00	10.00	47.50	29.60	7.50	5.90	3.28	2.40
				Intermediate	1175	29.00	19.40		16.40						
				Low	1175	16.60	16.20		27.30	5.30					

**Table 9: Furnace capacity - 4 ton**

Outdoor unit model	Furnace model	Furnace width (in.)	Indoor coil model	Stage	Rated CFM	Net cool (MBH)	Sens cool (MBH)	SEER2	EER2	Net47 (MBH)	Net17 (MBH)	HSPF2 IV	HSPF2 V	Cop47	Cop17
HMH72B481S	TMLE080C20MP11	21.0	XAFC60H	High	1425	48.00	33.00	17.00	10.00	47.50	29.60	7.50	5.90	3.28	2.40
				Intermediate	1175	29.00	19.40		16.40						
				Low	1175	16.60	16.20		27.30	5.30					
HMH72B481S	TL9E100C20UH11	24.5	XAFD60J	High	1475	47.00	33.80	17.00	9.50	47.00	30.00	7.80	5.85	3.32	2.42
				Intermediate	1100	28.60	19.20		16.55						
				Low	1100	16.60	15.70		29.35	5.50					
HMH72B481S	TL9E100C20UH11	24.5	XAFD60J	High	1475	47.00	33.80	17.00	9.50	47.00	30.00	7.80	5.85	3.32	2.42
				Intermediate	1100	28.60	19.20		16.55						
				Low	1100	16.60	15.70		29.35	5.50					
HMH72B481S	TM9Y100C20MP11	24.5	XAHD60J	High	1550	45.50	33.20	16.00	9.00	47.00	30.00	7.50	5.90	3.24	2.34
				Intermediate	1175	28.20	19.70		15.85						
				Low	1175	16.30	16.00		26.40	5.50					
HMH72B481S	TM9Y100C20MP11	24.5	XAHD60J	High	1550	45.50	33.20	16.00	9.00	47.00	30.00	7.50	5.90	3.24	2.34
				Intermediate	1175	28.20	19.70		15.85						
				Low	1175	16.30	16.00		26.40	5.50					
HMH72B481S	TM9Y080B12MP11	21.0	XAHC60H	High	1225	45.50	29.80	17.50	9.00	46.00	28.80	7.50	6.10	3.06	2.28
				Intermediate	775	26.60	14.00		16.45						
				Low	775	15.70	12.80		33.45	4.30					
HMH72B481S	TM9Y080B12MP11	21.0	XAHC60H	High	1225	45.50	29.80	17.50	9.00	46.00	28.80	7.50	6.10	3.06	2.28
				Intermediate	775	26.60	14.00		16.45						
				Low	775	15.70	12.80		33.45	4.30					
HMH72B481S	TM9V080B12MP12C	21.0	XAHC60H	High	1200	45.50	29.80	17.50	9.50	45.50	28.40	7.50	5.95	3.08	2.30
				Intermediate	775	26.60	14.00		16.25						
				Low	775	15.70	12.80		32.35	4.30					
HMH72B481S	TP9C080B12MP13C	21.0	XAHC60H	High	1200	45.50	29.80	17.50	9.50	45.50	28.40	7.50	5.95	3.08	2.30
				Intermediate	775	26.60	14.00		16.25						
				Low	775	15.70	12.80		32.35	4.30					
HMH72B481S	YP9C080B12MP13C	21.0	XAHC60H	High	1200	45.50	29.80	17.50	9.50	45.50	28.40	7.50	5.95	3.08	2.30
				Intermediate	775	26.60	14.00		16.25						
				Low	775	15.70	12.80		32.35	4.30					
HMH72B481S	TM9V080B12MP12C	21.0	XAHC60H	High	1200	45.50	29.80	17.50	9.50	45.50	28.40	7.50	5.95	3.08	2.30
				Intermediate	775	26.60	14.00		16.25						
				Low	775	15.70	12.80		32.35	4.30					
HMH72B481S	TP9C080B12MP13C	21.0	XAHC60H	High	1200	45.50	29.80	17.50	9.50	45.50	28.40	7.50	5.95	3.08	2.30
				Intermediate	775	26.60	14.00		16.25						
				Low	775	15.70	12.80		32.35	4.30					
HMH72B481S	YP9C080B12MP13C	21.0	XAHC60H	High	1200	45.50	29.80	17.50	9.50	45.50	28.40	7.50	5.95	3.08	2.30
				Intermediate	775	26.60	14.00		16.25						
				Low	775	15.70	12.80		32.35	4.30					
HMH72B481S	TM9E120D20MP12	24.5	XAFD60H	High	1475	48.00	33.20	16.50	9.50	48.00	30.00	7.50	5.95	3.28	2.40
				Intermediate	1175	29.00	19.40		16.30						
				Low	1175	16.60	16.30		26.70	4.80					
HMH72B481S	TM9E120D20MP12	24.5	XAFD60H	High	1475	48.00	33.20	16.50	9.50	48.00	30.00	7.50	5.95	3.28	2.40
				Intermediate	1175	29.00	19.40		16.30						
				Low	1175	16.60	16.30		26.70	4.80					
HMH72B481S	TM9E120D20MP12	24.5	XAUD60H	High	1475	48.00	33.20	16.50	9.50	48.00	30.00	7.50	5.95	3.28	2.40
				Intermediate	1175	29.00	19.40		16.30						
				Low	1175	16.60	16.30		26.70	4.80					
HMH72B481S	TM9E100C20MP12	21.0	XAFC60H	High	1600	48.00	34.00	17.00	9.50	48.00	30.40	7.50	5.90	3.32	2.40
				Intermediate	1175	29.00	19.30		16.60						
				Low	1175	16.70	16.30		28.10	5.00					
HMH72B481S	TM9E100C20MP12	21.0	XAFC60H	High	1600	48.00	34.00	17.00	9.50	48.00	30.40	7.50	5.90	3.32	2.40
				Intermediate	1175	29.00	19.30		16.60						
				Low	1175	16.70	16.30		28.10	5.00					
HMH72B481S	TM9E100C16MP12	21.0	XAFC60H	High	1500	48.00	33.40	18.00	9.50	48.00	30.20	7.50	5.60	3.24	2.36
				Intermediate	825	27.40	15.00		16.90						
				Low	825	16.20	13.50		34.15	4.50					
HMH72B481S	TM9E100C16MP12	21.0	XAFC60H	High	1500	48.00	33.40	18.00	9.50	48.00	30.20	7.50	5.60	3.24	2.36
				Intermediate	825	27.40	15.00		16.90						
				Low	825	16.20	13.50		34.15	4.50					

**Table 9: Furnace capacity - 4 ton**

Outdoor unit model	Furnace model	Furnace width (in.)	Indoor coil model	Stage	Rated CFM	Net cool (MBH)	Sens cool (MBH)	SEER2	EER2	Net47 (MBH)	Net17 (MBH)	HSPF2 IV	HSPF2 V	Cop47	Cop17
HMH72B481S	TM9E080C20MP12	21.0	XAFC60H	High	1625	48.00	34.20	17.00	9.50	48.00	30.60	7.50	5.90	3.32	2.40
				Intermediate	1200	29.20	19.70		16.60						
				Low	1200	16.80	16.50		27.90	4.80					
HMH72B481S	TM9E080C20MP12	21.0	XAFC60H	High	1625	48.00	34.20	17.00	9.50	48.00	30.60	7.50	5.90	3.32	2.40
				Intermediate	1200	29.20	19.70		16.60						
				Low	1200	16.80	16.50		27.90	4.80					
HMH72B481S	TM9E080C16MP12	21.0	XAFC60H	High	1450	47.50	32.60	18.00	9.50	48.00	30.00	7.50	5.75	3.22	2.36
				Intermediate	800	27.40	14.80		16.90						
				Low	800	16.20	13.40		34.60	4.70					
HMH72B481S	TM9E080C16MP12	21.0	XAFC60H	High	1450	47.50	32.60	18.00	9.50	48.00	30.00	7.50	5.75	3.22	2.36
				Intermediate	800	27.40	14.80		16.90						
				Low	800	16.20	13.40		34.60	4.70					
HMH72B481S	TM8V100C20MP12C	24.5	XAFD60H	High	1750	48.00	34.80	17.00	9.50	48.00	31.00	7.50	5.80	3.38	2.42
				Intermediate	1175	29.00	19.30		16.65						
				Low	1175	16.70	16.20		28.45	4.60					
HMH72B481S	TM8V100C20MP12C	24.5	XAFD60H	High	1750	48.00	34.80	17.00	9.50	48.00	31.00	7.50	5.80	3.38	2.42
				Intermediate	1175	29.00	19.30		16.65						
				Low	1175	16.70	16.20		28.45	4.60					
HMH72B481S	TM8V100C20MP12C	24.5	XAUD60H	High	1750	48.00	34.80	17.00	9.50	48.00	31.00	7.50	5.80	3.38	2.42
				Intermediate	1175	29.00	19.30		16.65						
				Low	1175	16.70	16.20		28.45	4.60					
HMH72B481S	TM8V100C16MP12C	24.5	XAFD60H	High	1425	47.50	32.60	17.50	9.50	48.00	29.80	7.50	5.60	3.24	2.38
				Intermediate	900	27.60	15.80		16.50						
				Low	900	16.20	14.10		30.85	4.50					
HMH72B481S	TM8V080C16MP12C	24.5	XAFD60H	High	1425	47.50	32.60	17.50	9.50	48.00	29.80	7.50	5.60	3.24	2.38
				Intermediate	900	27.60	15.80		16.50						
				Low	900	16.20	14.10		30.85	4.50					
HMH72B481S	TMLV100C16MP12C	24.5	XAFD60H	High	1425	47.50	32.60	17.50	9.50	48.00	29.80	7.50	5.60	3.24	2.38
				Intermediate	900	27.60	15.80		16.50						
				Low	900	16.20	14.10		30.85	4.50					
HMH72B481S	TPLC080C16MP13C	24.5	XAFD60H	High	1425	47.50	32.60	17.50	9.50	48.00	29.80	7.50	5.60	3.24	2.38
				Intermediate	900	27.60	15.80		16.50						
				Low	900	16.20	14.10		30.85	4.50					
HMH72B481S	TPLC100C16MP13C	24.5	XAFD60H	High	1425	47.50	32.60	17.50	9.50	48.00	29.80	7.50	5.60	3.24	2.38
				Intermediate	900	27.60	15.80		16.50						
				Low	900	16.20	14.10		30.85	4.50					
HMH72B481S	YPLC080C16MP13C	24.5	XAFD60H	High	1425	47.50	32.60	17.50	9.50	48.00	29.80	7.50	5.60	3.24	2.38
				Intermediate	900	27.60	15.80		16.50						
				Low	900	16.20	14.10		30.85	4.50					
HMH72B481S	YPLC100C16MP13C	24.5	XAFD60H	High	1425	47.50	32.60	17.50	9.50	48.00	29.80	7.50	5.60	3.24	2.38
				Intermediate	900	27.60	15.80		16.50						
				Low	900	16.20	14.10		30.85	4.50					
HMH72B481S	TM8V100C16MP12C	24.5	XAFD60H	High	1425	47.50	32.60	17.50	9.50	48.00	29.80	7.50	5.60	3.24	2.38
				Intermediate	900	27.60	15.80		16.50						
				Low	900	16.20	14.10		30.85	4.50					
HMH72B481S	TM8V100C16MP12C	24.5	XAUD60H	High	1425	47.50	32.60	17.50	9.50	48.00	29.80	7.50	5.60	3.24	2.38
				Intermediate	900	27.60	15.80		16.50						
				Low	900	16.20	14.10		30.85	4.50					
HMH72B481S	TM8V080C16MP12C	24.5	XAFD60H	High	1425	47.50	32.60	17.50	9.50	48.00	29.80	7.50	5.60	3.24	2.38
				Intermediate	900	27.60	15.80		16.50						
				Low	900	16.20	14.10		30.85	4.50					
HMH72B481S	TM8V080C16MP12C	24.5	XAUD60H	High	1425	47.50	32.60	17.50	9.50	48.00	29.80	7.50	5.60	3.24	2.38
				Intermediate	900	27.60	15.80		16.50						
				Low	900	16.20	14.10		30.85	4.50					
HMH72B481S	TMLV100C16MP12C	24.5	XAFD60H	High	1425	47.50	32.60	17.50	9.50	48.00	29.80	7.50	5.60	3.24	2.38
				Intermediate	900	27.60	15.80		16.50						
				Low	900	16.20	14.10		30.85	4.50					
HMH72B481S	TMLV100C16MP12C	24.5	XAUD60H	High	1425	47.50	32.60	17.50	9.50	48.00	29.80	7.50	5.60	3.24	2.38
				Intermediate	900	27.60	15.80		16.50						
				Low	900	16.20	14.10		30.85	4.50					



**Table 9: Furnace capacity - 4 ton**

Outdoor unit model	Furnace model	Furnace width (in.)	Indoor coil model	Stage	Rated CFM	Net cool (MBH)	Sens cool (MBH)	SEER2	EER2	Net47 (MBH)	Net17 (MBH)	HSPF2 IV	HSPF2 V	Cop47	Cop17
HMH72B481S	TPLC080C16MP13C	24.5	XAFD60H	High	1425	47.50	32.60	17.50	9.50	48.00	29.80	7.50	5.60	3.24	2.38
				Intermediate	900	27.60	15.80		16.50						
				Low	900	16.20	14.10		30.85						
HMH72B481S	TPLC080C16MP13C	24.5	XAUD60H	High	1425	47.50	32.60	17.50	9.50	48.00	29.80	7.50	5.60	3.24	2.38
				Intermediate	900	27.60	15.80		16.50						
				Low	900	16.20	14.10		30.85						
HMH72B481S	TPLC100C16MP13C	24.5	XAFD60H	High	1425	47.50	32.60	17.50	9.50	48.00	29.80	7.50	5.60	3.24	2.38
				Intermediate	900	27.60	15.80		16.50						
				Low	900	16.20	14.10		30.85						
HMH72B481S	TPLC100C16MP13C	24.5	XAUD60H	High	1425	47.50	32.60	17.50	9.50	48.00	29.80	7.50	5.60	3.24	2.38
				Intermediate	900	27.60	15.80		16.50						
				Low	900	16.20	14.10		30.85						
HMH72B481S	YPLC080C16MP13C	24.5	XAFD60H	High	1425	47.50	32.60	17.50	9.50	48.00	29.80	7.50	5.60	3.24	2.38
				Intermediate	900	27.60	15.80		16.50						
				Low	900	16.20	14.10		30.85						
HMH72B481S	YPLC080C16MP13C	24.5	XAUD60H	High	1425	47.50	32.60	17.50	9.50	48.00	29.80	7.50	5.60	3.24	2.38
				Intermediate	900	27.60	15.80		16.50						
				Low	900	16.20	14.10		30.85						
HMH72B481S	YPLC100C16MP13C	24.5	XAFD60H	High	1425	47.50	32.60	17.50	9.50	48.00	29.80	7.50	5.60	3.24	2.38
				Intermediate	900	27.60	15.80		16.50						
				Low	900	16.20	14.10		30.85						
HMH72B481S	YPLC100C16MP13C	24.5	XAUD60H	High	1425	47.50	32.60	17.50	9.50	48.00	29.80	7.50	5.60	3.24	2.38
				Intermediate	900	27.60	15.80		16.50						
				Low	900	16.20	14.10		30.85						
HMH72B481S	TM8E120C20MP11	24.5	XAHD60J	High	1375	45.50	32.00	16.00	9.50	45.50	29.00	7.50	5.90	3.24	2.38
				Intermediate	1200	28.40	20.20		15.75						
				Low	1200	16.30	16.10		25.70						
HMH72B481S	TMLE120C20MP11	24.5	XAHD60J	High	1375	45.50	32.00	16.00	9.50	45.50	29.00	7.50	5.90	3.24	2.38
				Intermediate	1200	28.40	20.20		15.75						
				Low	1200	16.30	16.10		25.70						
HMH72B481S	TM8E120C20MP11	24.5	XAHD60J	High	1375	45.50	32.00	16.00	9.50	45.50	29.00	7.50	5.90	3.24	2.38
				Intermediate	1200	28.40	20.20		15.75						
				Low	1200	16.30	16.10		25.70						
HMH72B481S	TMLE120C20MP11	24.5	XAHD60J	High	1375	45.50	32.00	16.00	9.50	45.50	29.00	7.50	5.90	3.24	2.38
				Intermediate	1200	28.40	20.20		15.75						
				Low	1200	16.30	16.10		25.70						
HMH72B481S	TM8E100C20MP11	24.5	XAHD60J	High	1600	46.00	33.80	16.50	9.00	47.00	30.20	7.50	5.85	3.28	2.36
				Intermediate	1200	28.40	20.00		16.05						
				Low	1200	16.30	16.10		26.95						
HMH72B481S	TMLE100C20MP11	24.5	XAHD60J	High	1600	46.00	33.80	16.50	9.00	47.00	30.20	7.50	5.85	3.28	2.36
				Intermediate	1200	28.40	20.00		16.05						
				Low	1200	16.30	16.10		26.95						
HMH72B481S	TM8E100C20MP11	24.5	XAHD60J	High	1600	46.00	33.80	16.50	9.00	47.00	30.20	7.50	5.85	3.28	2.36
				Intermediate	1200	28.40	20.00		16.05						
				Low	1200	16.30	16.10		26.95						
HMH72B481S	TMLE100C20MP11	24.5	XAHD60J	High	1600	46.00	33.80	16.50	9.00	47.00	30.20	7.50	5.85	3.28	2.36
				Intermediate	1200	28.40	20.00		16.05						
				Low	1200	16.30	16.10		26.95						
HMH72B481S	TM8E080C20MP11	24.5	XAHD60J	High	1425	45.50	32.20	16.00	9.50	46.00	29.20	7.50	5.90	3.26	2.38
				Intermediate	1175	28.20	19.70		15.95						
				Low	1175	16.30	16.00		26.65						
HMH72B481S	TMLE080C20MP11	24.5	XAHD60J	High	1425	45.50	32.20	16.00	9.50	46.00	29.20	7.50	5.90	3.26	2.38
				Intermediate	1175	28.20	19.70		15.95						
				Low	1175	16.30	16.00		26.65						
HMH72B481S	TM8E080C20MP11	24.5	XAHD60J	High	1425	45.50	32.20	16.00	9.50	46.00	29.20	7.50	5.90	3.26	2.38
				Intermediate	1175	28.20	19.70		15.95						
				Low	1175	16.30	16.00		26.65						
HMH72B481S	TMLE080C20MP11	24.5	XAHD60J	High	1425	45.50	32.20	16.00	9.50	46.00	29.20	7.50	5.90	3.26	2.38
				Intermediate	1175	28.20	19.70		15.95						
				Low	1175	16.30	16.00		26.65						

**Table 9: Furnace capacity - 4 ton**

Outdoor unit model	Furnace model	Furnace width (in.)	Indoor coil model	Stage	Rated CFM	Net cool (MBH)	Sens cool (MBH)	SEER2	EER2	Net47 (MBH)	Net17 (MBH)	HSPF2 IV	HSPF2 V	Cop47	Cop17
HMH72B481S	TM8E080B12MP11	21.0	XAHC60H	High	1250	45.50	30.00	17.50	9.50	46.00	28.80	7.50	6.10	3.08	2.30
				Intermediate	800	26.80	14.30		16.50						
				Low	800	15.80	13.00		33.50	4.70					
HMH72B481S	TMLE080B12MP11	21.0	XAHC60H	High	1250	45.50	30.00	17.50	9.50	46.00	28.80	7.50	6.10	3.08	2.30
				Intermediate	800	26.80	14.30		16.50						
				Low	800	15.80	13.00		33.50	4.70					
HMH72B481S	TM8E080B12MP11	21.0	XAHC60H	High	1250	45.50	30.00	17.50	9.50	46.00	28.80	7.50	6.10	3.08	2.30
				Intermediate	800	26.80	14.30		16.50						
				Low	800	15.80	13.00		33.50	4.70					
HMH72B481S	TMLE080B12MP11	21.0	XAHC60H	High	1250	45.50	30.00	17.50	9.50	46.00	28.80	7.50	6.10	3.08	2.30
				Intermediate	800	26.80	14.30		16.50						
				Low	800	15.80	13.00		33.50	4.70					
HMH72B481S	TL9E100C20UH11	24.5	XAFD60H	High	1475	48.00	33.20	17.00	9.50	48.00	29.80	7.50	5.10	3.28	2.40
				Intermediate	1075	28.60	18.20		16.55						
				Low	1075	16.50	15.50		29.00	4.90					
HMH72B481S	TL9E100C20UH11	24.5	XAFD60H	High	1475	48.00	33.20	17.00	9.50	48.00	29.80	7.50	5.10	3.28	2.40
				Intermediate	1075	28.60	18.20		16.55						
				Low	1075	16.50	15.50		29.00	4.90					
HMH72B481S	TL9E100C20UH11	24.5	XAUD60H	High	1475	48.00	33.20	17.00	9.50	48.00	29.80	7.50	5.10	3.28	2.40
				Intermediate	1075	28.60	18.20		16.55						
				Low	1075	16.50	15.50		29.00	4.90					
HMH72B481S	TL9E080C16UH11	24.5	XAFD60H	High	1475	47.50	32.80	17.50	9.50	48.00	30.20	7.50	5.75	3.22	2.36
				Intermediate	900	27.80	16.00		16.65						
				Low	900	16.20	14.10		31.45	4.50					
HMH72B481S	TL9E080C16UH11	24.5	XAFD60H	High	1475	47.50	32.80	17.50	9.50	48.00	30.20	7.50	5.75	3.22	2.36
				Intermediate	900	27.80	16.00		16.65						
				Low	900	16.20	14.10		31.45	4.50					
HMH72B481S	TL9E080C16UH11	24.5	XAUD60H	High	1475	47.50	32.80	17.50	9.50	48.00	30.20	7.50	5.75	3.22	2.36
				Intermediate	900	27.80	16.00		16.65						
				Low	900	16.20	14.10		31.45	4.50					
HMH72B481S	TL8E100C20UH11	24.5	XAFD60H	High	1475	48.00	33.20	17.50	9.50	48.00	29.80	7.50	5.50	3.30	2.40
				Intermediate	1025	28.40	17.50		16.85						
				Low	1025	16.50	15.10		31.05	4.90					
HMH72B481S	TL8E100C20UH11	24.5	XAFD60H	High	1475	48.00	33.20	17.50	9.50	48.00	29.80	7.50	5.50	3.30	2.40
				Intermediate	1025	28.40	17.50		16.85						
				Low	1025	16.50	15.10		31.05	4.90					
HMH72B481S	TL8E100C20UH11	24.5	XAUD60H	High	1475	48.00	33.20	17.50	9.50	48.00	29.80	7.50	5.50	3.30	2.40
				Intermediate	1025	28.40	17.50		16.85						
				Low	1025	16.50	15.10		31.05	4.90					
HMH72B481S	TL8E080C16UH11	24.5	XAFD60H	High	1450	47.50	32.60	17.50	9.50	48.00	30.00	7.50	5.60	3.24	2.38
				Intermediate	925	27.80	16.20		16.65						
				Low	925	16.30	14.30		31.15	4.30					
HMH72B481S	TL8E080C16UH11	24.5	XAFD60H	High	1450	47.50	32.60	17.50	9.50	48.00	30.00	7.50	5.60	3.24	2.38
				Intermediate	925	27.80	16.20		16.65						
				Low	925	16.30	14.30		31.15	4.30					
HMH72B481S	TL8E080C16UH11	24.5	XAUD60H	High	1450	47.50	32.60	17.50	9.50	48.00	30.00	7.50	5.60	3.24	2.38
				Intermediate	925	27.80	16.20		16.65						
				Low	925	16.30	14.30		31.15	4.30					
HMH72B481S	TM9Y100C20MP11	21.0	XAHC60H	High	1600	47.00	33.20	16.50	9.00	48.00	30.20	7.50	6.15	3.20	2.32
				Intermediate	1200	28.60	19.20		16.15						
				Low	1200	16.40	16.20		26.90	4.80					
HMH72B481S	TM9Y100C20MP11	21.0	XAHC60H	High	1600	47.00	33.20	16.50	9.00	48.00	30.20	7.50	6.15	3.20	2.32
				Intermediate	1200	28.60	19.20		16.15						
				Low	1200	16.40	16.20		26.90	4.80					
HMH72B481S	TM9V060B12MP12C	21.0	XAHC60H	High	1225	45.00	29.60	17.00	9.00	46.00	28.80	7.50	5.90	3.04	2.28
				Intermediate	750	26.40	13.70		16.10						
				Low	750	15.60	12.60		31.60	4.30					
HMH72B481S	TP9C060B12MP13C	21.0	XAHC60H	High	1225	45.00	29.60	17.00	9.00	46.00	28.80	7.50	5.90	3.04	2.28
				Intermediate	750	26.40	13.70		16.10						
				Low	750	15.60	12.60		31.60	4.30					

**Table 9: Furnace capacity - 4 ton**

Outdoor unit model	Furnace model	Furnace width (in.)	Indoor coil model	Stage	Rated CFM	Net cool (MBH)	Sens cool (MBH)	SEER2	EER2	Net47 (MBH)	Net17 (MBH)	HSPF2 IV	HSPF2 V	Cop47	Cop17
HMH72B481S	YP9C060B12MP13C	21.0	XAHC60H	High	1225	45.00	29.60	17.00	9.00	46.00	28.80	7.50	5.90	3.04	2.28
				Intermediate	750	26.40	13.70		16.10						
				Low	750	15.60	12.60		31.60						
HMH72B481S	TM9V060B12MP12C	21.0	XAHC60H	High	1225	45.00	29.60	17.00	9.00	46.00	28.80	7.50	5.90	3.04	2.28
				Intermediate	750	26.40	13.70		16.10						
				Low	750	15.60	12.60		31.60						
HMH72B481S	TP9C060B12MP13C	21.0	XAHC60H	High	1225	45.00	29.60	17.00	9.00	46.00	28.80	7.50	5.90	3.04	2.28
				Intermediate	750	26.40	13.70		16.10						
				Low	750	15.60	12.60		31.60						
HMH72B481S	YP9C060B12MP13C	21.0	XAHC60H	High	1225	45.00	29.60	17.00	9.00	46.00	28.80	7.50	5.90	3.04	2.28
				Intermediate	750	26.40	13.70		16.10						
				Low	750	15.60	12.60		31.60						
HMH72B481S	TM9E100C20MP12	24.5	XAHD60H	High	1575	47.50	33.40	16.50	9.50	47.50	29.80	7.50	6.00	3.24	2.36
				Intermediate	1175	28.40	18.80		16.20						
				Low	1175	16.30	15.90		27.35						
HMH72B481S	TM9E100C20MP12	24.5	XAHD60H	High	1575	47.50	33.40	16.50	9.50	47.50	29.80	7.50	6.00	3.24	2.36
				Intermediate	1175	28.40	18.80		16.20						
				Low	1175	16.30	15.90		27.35						
HMH72B481S	TM9E100C16MP12	24.5	XAHD60H	High	1500	46.50	32.20	17.50	9.00	47.50	29.80	7.50	5.95	3.18	2.32
				Intermediate	800	26.80	14.40		16.45						
				Low	800	15.80	13.00		33.25						
HMH72B481S	TM9E100C16MP12	24.5	XAHD60H	High	1500	46.50	32.20	17.50	9.00	47.50	29.80	7.50	5.95	3.18	2.32
				Intermediate	800	26.80	14.40		16.45						
				Low	800	15.80	13.00		33.25						
HMH72B481S	TM9E080C20MP12	24.5	XAHD60H	High	1375	46.50	31.60	16.00	9.50	46.50	28.80	7.50	6.00	3.18	2.36
				Intermediate	1150	28.20	18.50		15.95						
				Low	1150	16.20	15.70		26.30						
HMH72B481S	TM9E080C20MP12	24.5	XAHD60H	High	1375	46.50	31.60	16.00	9.50	46.50	28.80	7.50	6.00	3.18	2.36
				Intermediate	1150	28.20	18.50		15.95						
				Low	1150	16.20	15.70		26.30						
HMH72B481S	TM9E080C16MP12	24.5	XAHD60H	High	1425	46.50	31.80	17.50	9.50	47.00	29.40	7.50	5.95	3.14	2.32
				Intermediate	775	26.60	14.00		16.45						
				Low	775	15.80	12.90		33.50						
HMH72B481S	TM9E080C16MP12	24.5	XAHD60H	High	1425	46.50	31.80	17.50	9.50	47.00	29.40	7.50	5.95	3.14	2.32
				Intermediate	775	26.60	14.00		16.45						
				Low	775	15.80	12.90		33.50						
HMH72B481S	TM8Y120C20MP11	24.5	XAFD60H	High	1400	47.50	32.40	17.50	9.50	47.50	29.60	7.50	5.50	3.26	2.40
				Intermediate	975	28.20	16.90		16.80						
				Low	975	16.40	14.70		31.35						
HMH72B481S	TM8Y100C20MP11	24.5	XAFD60H	High	1400	47.50	32.40	17.50	9.50	47.50	29.60	7.50	5.50	3.26	2.40
				Intermediate	975	28.20	16.90		16.80						
				Low	975	16.40	14.70		31.35						
HMH72B481S	TM8Y120C20MP11	24.5	XAUD60H	High	1400	47.50	32.40	17.50	9.50	47.50	29.60	7.50	5.50	3.26	2.40
				Intermediate	975	28.20	16.90		16.80						
				Low	975	16.40	14.70		31.35						
HMH72B481S	TM8Y100C20MP11	24.5	XAFD60H	High	1400	47.50	32.40	17.50	9.50	47.50	29.60	7.50	5.50	3.26	2.40
				Intermediate	975	28.20	16.90		16.80						
				Low	975	16.40	14.70		31.35						
HMH72B481S	TM8Y100C20MP11	24.5	XAUD60H	High	1400	47.50	32.40	17.50	9.50	47.50	29.60	7.50	5.50	3.26	2.40
				Intermediate	975	28.20	16.90		16.80						
				Low	975	16.40	14.70		31.35						
HMH72B481S	TM8Y100C16MP11	24.5	XAFD60H	High	1425	47.50	32.60	18.00	9.50	48.00	29.80	7.50	5.60	3.24	2.38
				Intermediate	750	27.00	14.00		16.85						
				Low	750	16.00	12.90		34.90						
HMH72B481S	TM8Y080C16MP11	24.5	XAFD60H	High	1425	47.50	32.60	18.00	9.50	48.00	29.80	7.50	5.60	3.24	2.38
				Intermediate	750	27.00	14.00		16.85						
				Low	750	16.00	12.90		34.90						

**Table 9: Furnace capacity - 4 ton**

Outdoor unit model	Furnace model	Furnace width (in.)	Indoor coil model	Stage	Rated CFM	Net cool (MBH)	Sens cool (MBH)	SEER2	EER2	Net47 (MBH)	Net17 (MBH)	HSPF2 IV	HSPF2 V	Cop47	Cop17
HMH72B481S	TM8Y100C16MP11	24.5	XAFD60H	High	1425	47.50	32.60	18.00	9.50	48.00	29.80	7.50	5.60	3.24	2.38
				Intermediate	750	27.00	14.00		16.85						
				Low	750	16.00	12.90		34.90	4.50					
HMH72B481S	TM8Y100C16MP11	24.5	XAUD60H	High	1425	47.50	32.60	18.00	9.50	48.00	29.80	7.50	5.60	3.24	2.38
				Intermediate	750	27.00	14.00		16.85						
				Low	750	16.00	12.90		34.90	4.50					
HMH72B481S	TM8Y080C16MP11	24.5	XAFD60H	High	1425	47.50	32.60	18.00	9.50	48.00	29.80	7.50	5.60	3.24	2.38
				Intermediate	750	27.00	14.00		16.85						
				Low	750	16.00	12.90		34.90	4.50					
HMH72B481S	TM8Y080C16MP11	24.5	XAUD60H	High	1425	47.50	32.60	18.00	9.50	48.00	29.80	7.50	5.60	3.24	2.38
				Intermediate	750	27.00	14.00		16.85						
				Low	750	16.00	12.90		34.90	4.50					
HMH72B481S	TM8E130D20MP11	24.5	XAHD60J	High	1475	46.00	33.00	16.00	9.00	46.00	29.40	7.50	5.85	3.26	2.36
				Intermediate	1200	28.40	20.20		15.85						
				Low	1200	16.30	16.10		26.05	5.30					
HMH72B481S	TMLE130D20MP11	24.5	XAHD60J	High	1475	46.00	33.00	16.00	9.00	46.00	29.40	7.50	5.85	3.26	2.36
				Intermediate	1200	28.40	20.20		15.85						
				Low	1200	16.30	16.10		26.05	5.30					
HMH72B481S	TM8E130D20MP11	24.5	XAHD60J	High	1475	46.00	33.00	16.00	9.00	46.00	29.40	7.50	5.85	3.26	2.36
				Intermediate	1200	28.40	20.20		15.85						
				Low	1200	16.30	16.10		26.05	5.30					
HMH72B481S	TMLE130D20MP11	24.5	XAHD60J	High	1475	46.00	33.00	16.00	9.00	46.00	29.40	7.50	5.85	3.26	2.36
				Intermediate	1200	28.40	20.20		15.85						
				Low	1200	16.30	16.10		26.05	5.30					
HMH72B481S	TM8E120C20MP11	21.0	XAHC60H	High	1400	47.00	32.20	16.50	9.50	46.50	28.80	7.50	6.00	3.22	2.36
				Intermediate	1225	28.60	19.50		16.05						
				Low	1225	16.40	16.30		26.20	5.10					
HMH72B481S	TMLE120C20MP11	21.0	XAHC60H	High	1400	47.00	32.20	16.50	9.50	46.50	28.80	7.50	6.00	3.22	2.36
				Intermediate	1225	28.60	19.50		16.05						
				Low	1225	16.40	16.30		26.20	5.10					
HMH72B481S	TM8E120C20MP11	21.0	XAHC60H	High	1400	47.00	32.20	16.50	9.50	46.50	28.80	7.50	6.00	3.22	2.36
				Intermediate	1225	28.60	19.50		16.05						
				Low	1225	16.40	16.30		26.20	5.10					
HMH72B481S	TMLE120C20MP11	21.0	XAHC60H	High	1400	47.00	32.20	16.50	9.50	46.50	28.80	7.50	6.00	3.22	2.36
				Intermediate	1225	28.60	19.50		16.05						
				Low	1225	16.40	16.30		26.20	5.10					
HMH72B481S	TM8E100C20MP11	21.0	XAHC60H	High	1400	47.00	32.20	16.50	9.50	46.50	29.00	7.50	6.00	3.20	2.36
				Intermediate	1200	28.40	19.00		16.15						
				Low	1200	16.40	16.20		26.75	4.80					
HMH72B481S	TMLE100C20MP11	21.0	XAHC60H	High	1400	47.00	32.20	16.50	9.50	46.50	29.00	7.50	6.00	3.20	2.36
				Intermediate	1200	28.40	19.00		16.15						
				Low	1200	16.40	16.20		26.75	4.80					
HMH72B481S	TM8E100C20MP11	21.0	XAHC60H	High	1400	47.00	32.20	16.50	9.50	46.50	29.00	7.50	6.00	3.20	2.36
				Intermediate	1200	28.40	19.00		16.15						
				Low	1200	16.40	16.20		26.75	4.80					
HMH72B481S	TMLE100C20MP11	21.0	XAHC60H	High	1400	47.00	32.20	16.50	9.50	46.50	29.00	7.50	6.00	3.20	2.36
				Intermediate	1200	28.40	19.00		16.15						
				Low	1200	16.40	16.20		26.75	4.80					
HMH72B481S	TM8E100C16MP11	21.0	XAHC60H	High	1475	47.00	32.60	17.00	9.50	47.00	29.40	7.50	6.10	3.20	2.34
				Intermediate	1125	28.20	18.20		16.35						
				Low	1125	16.30	15.50		28.40	4.40					
HMH72B481S	TMLE100C16MP11	21.0	XAHC60H	High	1475	47.00	32.60	17.00	9.50	47.00	29.40	7.50	6.10	3.20	2.34
				Intermediate	1125	28.20	18.20		16.35						
				Low	1125	16.30	15.50		28.40	4.40					
HMH72B481S	TM8E100C16MP11	21.0	XAHC60H	High	1475	47.00	32.60	17.00	9.50	47.00	29.40	7.50	6.10	3.20	2.34
				Intermediate	1125	28.20	18.20		16.35						
				Low	1125	16.30	15.50		28.40	4.40					
HMH72B481S	TMLE100C16MP11	21.0	XAHC60H	High	1475	47.00	32.60	17.00	9.50	47.00	29.40	7.50	6.10	3.20	2.34
				Intermediate	1125	28.20	18.20		16.35						
				Low	1125	16.30	15.50		28.40	4.40					

**Table 9: Furnace capacity - 4 ton**

Outdoor unit model	Furnace model	Furnace width (in.)	Indoor coil model	Stage	Rated CFM	Net cool (MBH)	Sens cool (MBH)	SEER2	EER2	Net47 (MBH)	Net17 (MBH)	HSPF2 IV	HSPF2 V	Cop47	Cop17
HMH72B481S	TM8E080C20MP11	21.0	XAHC60H	High	1450	47.00	32.40	16.50	9.50	47.00	29.00	7.50	6.05	3.24	2.36
				Intermediate	1200	28.60	19.20		16.20						
				Low	1200	16.40	16.10		27.10	4.40					
HMH72B481S	TMLE080C20MP11	21.0	XAHC60H	High	1450	47.00	32.40	16.50	9.50	47.00	29.00	7.50	6.05	3.24	2.36
				Intermediate	1200	28.60	19.20		16.20						
				Low	1200	16.40	16.10		27.10	4.40					
HMH72B481S	TM8E080C20MP11	21.0	XAHC60H	High	1450	47.00	32.40	16.50	9.50	47.00	29.00	7.50	6.05	3.24	2.36
				Intermediate	1200	28.60	19.20		16.20						
				Low	1200	16.40	16.10		27.10	4.40					
HMH72B481S	TMLE080C20MP11	21.0	XAHC60H	High	1450	47.00	32.40	16.50	9.50	47.00	29.00	7.50	6.05	3.24	2.36
				Intermediate	1200	28.60	19.20		16.20						
				Low	1200	16.40	16.10		27.10	4.40					
HMH72B481S	TM8E080C16MP11	21.0	XAHC60H	High	1475	47.00	32.60	18.00	9.50	47.00	29.40	7.50	5.85	3.20	2.34
				Intermediate	900	27.40	15.60		16.85						
				Low	900	16.10	13.80		34.20	4.30					
HMH72B481S	TMLE080C16MP11	21.0	XAHC60H	High	1475	47.00	32.60	18.00	9.50	47.00	29.40	7.50	5.85	3.20	2.34
				Intermediate	900	27.40	15.60		16.85						
				Low	900	16.10	13.80		34.20	4.30					
HMH72B481S	TM8E080C16MP11	21.0	XAHC60H	High	1475	47.00	32.60	18.00	9.50	47.00	29.40	7.50	5.85	3.20	2.34
				Intermediate	900	27.40	15.60		16.85						
				Low	900	16.10	13.80		34.20	4.30					
HMH72B481S	TMLE080C16MP11	21.0	XAHC60H	High	1475	47.00	32.60	18.00	9.50	47.00	29.40	7.50	5.85	3.20	2.34
				Intermediate	900	27.40	15.60		16.85						
				Low	900	16.10	13.80		34.20	4.30					
HMH72B481S	TL9E100C20UH11	24.5	XAHD60J	High	1475	46.00	33.00	17.00	9.00	46.00	29.60	7.50	5.40	3.26	2.36
				Intermediate	1100	28.00	18.70		16.20						
				Low	1100	16.20	15.30		28.70	5.10					
HMH72B481S	TL9E100C20UH11	24.5	XAHD60J	High	1475	46.00	33.00	17.00	9.00	46.00	29.60	7.50	5.40	3.26	2.36
				Intermediate	1100	28.00	18.70		16.20						
				Low	1100	16.20	15.30		28.70	5.10					
HMH72B481S	TM9Y100C20MP11	24.5	XAHD60H	High	1550	46.50	32.60	16.00	9.00	48.00	30.00	7.50	6.15	3.16	2.32
				Intermediate	1150	28.20	18.50		15.90						
				Low	1150	16.20	15.70		26.20	4.90					
HMH72B481S	TM9Y100C20MP11	24.5	XAHD60H	High	1550	46.50	32.60	16.00	9.00	48.00	30.00	7.50	6.15	3.16	2.32
				Intermediate	1150	28.20	18.50		15.90						
				Low	1150	16.20	15.70		26.20	4.90					
HMH72B481S	TM9Y100C16MP11	24.5	XAHD60H	High	1275	45.50	30.40	16.50	9.50	46.00	28.80	7.50	5.95	3.10	2.30
				Intermediate	925	27.20	15.80		16.00						
				Low	925	15.90	14.00		28.95	4.30					
HMH72B481S	TM9Y100C16MP11	24.5	XAHD60H	High	1275	45.50	30.40	16.50	9.50	46.00	28.80	7.50	5.95	3.10	2.30
				Intermediate	925	27.20	15.80		16.00						
				Low	925	15.90	14.00		28.95	4.30					
HMH72B481S	TM9Y080C16MP11	24.5	XAHD60H	High	1275	45.50	30.40	17.50	9.50	46.00	28.80	7.50	6.10	3.10	2.30
				Intermediate	650	26.00	12.50		16.30						
				Low	650	15.50	11.90		34.45	3.90					
HMH72B481S	TM9Y080C16MP11	24.5	XAHD60H	High	1275	45.50	30.40	17.50	9.50	46.00	28.80	7.50	6.10	3.10	2.30
				Intermediate	650	26.00	12.50		16.30						
				Low	650	15.50	11.90		34.45	3.90					
HMH72B481S	TM9Y080B12MP11	21.0	XAFC60H	High	1225	46.50	30.60	17.50	9.50	47.00	29.40	7.50	5.85	3.12	2.32
				Intermediate	725	26.80	13.70		16.55						
				Low	725	15.90	12.70		33.40	4.50					
HMH72B481S	TM9Y080B12MP11	21.0	XAFC60H	High	1225	46.50	30.60	17.50	9.50	47.00	29.40	7.50	5.85	3.12	2.32
				Intermediate	725	26.80	13.70		16.55						
				Low	725	15.90	12.70		33.40	4.50					
HMH72B481S	TM9V100C20MP12C	24.5	XAHD60H	High	1600	47.00	33.20	16.50	9.00	48.00	30.00	7.50	5.85	3.22	2.34
				Intermediate	975	27.40	16.30		16.20						
				Low	975	16.00	14.40		29.40	4.70					
HMH72B481S	TP9C100C20MP13C	24.5	XAHD60H	High	1600	47.00	33.20	16.50	9.00	48.00	30.00	7.50	5.85	3.22	2.34
				Intermediate	975	27.40	16.30		16.20						
				Low	975	16.00	14.40		29.40	4.70					

**Table 9: Furnace capacity - 4 ton**

Outdoor unit model	Furnace model	Furnace width (in.)	Indoor coil model	Stage	Rated CFM	Net cool (MBH)	Sens cool (MBH)	SEER2	EER2	Net47 (MBH)	Net17 (MBH)	HSPF2 IV	HSPF2 V	Cop47	Cop17
HMH72B481S	YP9C100C20MP13C	24.5	XAHD60H	High	1600	47.00	33.20	16.50	9.00	48.00	30.00	7.50	5.85	3.22	2.34
				Intermediate	975	27.40	16.30		16.20						
				Low	975	16.00	14.40		29.40	4.70					
HMH72B481S	TM9V100C20MP12C	24.5	XAHD60H	High	1600	47.00	33.20	16.50	9.00	48.00	30.00	7.50	5.85	3.22	2.34
				Intermediate	975	27.40	16.30		16.20						
				Low	975	16.00	14.40		29.40	4.70					
HMH72B481S	TP9C100C20MP13C	24.5	XAHD60H	High	1600	47.00	33.20	16.50	9.00	48.00	30.00	7.50	5.85	3.22	2.34
				Intermediate	975	27.40	16.30		16.20						
				Low	975	16.00	14.40		29.40	4.70					
HMH72B481S	YP9C100C20MP13C	24.5	XAHD60H	High	1600	47.00	33.20	16.50	9.00	48.00	30.00	7.50	5.85	3.22	2.34
				Intermediate	975	27.40	16.30		16.20						
				Low	975	16.00	14.40		29.40	4.70					
HMH72B481S	TM9V100C16MP12C	24.5	XAHD60H	High	1550	47.00	33.00	16.50	9.00	47.50	29.60	7.50	5.70	3.24	2.36
				Intermediate	1050	27.80	17.30		16.15						
				Low	1050	16.10	14.90		28.40	4.70					
HMH72B481S	TP9C100C16MP13C	24.5	XAHD60H	High	1550	47.00	33.00	16.50	9.00	47.50	29.60	7.50	5.70	3.24	2.36
				Intermediate	1050	27.80	17.30		16.15						
				Low	1050	16.10	14.90		28.40	4.70					
HMH72B481S	YP9C100C16MP13C	24.5	XAHD60H	High	1550	47.00	33.00	16.50	9.00	47.50	29.60	7.50	5.70	3.24	2.36
				Intermediate	1050	27.80	17.30		16.15						
				Low	1050	16.10	14.90		28.40	4.70					
HMH72B481S	TM9V100C16MP12C	24.5	XAHD60H	High	1550	47.00	33.00	16.50	9.00	47.50	29.60	7.50	5.70	3.24	2.36
				Intermediate	1050	27.80	17.30		16.15						
				Low	1050	16.10	14.90		28.40	4.70					
HMH72B481S	TP9C100C16MP13C	24.5	XAHD60H	High	1550	47.00	33.00	16.50	9.00	47.50	29.60	7.50	5.70	3.24	2.36
				Intermediate	1050	27.80	17.30		16.15						
				Low	1050	16.10	14.90		28.40	4.70					
HMH72B481S	YP9C100C16MP13C	24.5	XAHD60H	High	1550	47.00	33.00	16.50	9.00	47.50	29.60	7.50	5.70	3.24	2.36
				Intermediate	1050	27.80	17.30		16.15						
				Low	1050	16.10	14.90		28.40	4.70					
HMH72B481S	TM9V080C16MP12C	24.5	XAHD60H	High	1475	46.50	32.00	16.50	9.00	47.50	29.60	7.50	5.95	3.16	2.32
				Intermediate	950	27.20	16.00		16.00						
				Low	950	15.90	14.20		28.55	4.70					
HMH72B481S	TP9C080C16MP13C	24.5	XAHD60H	High	1475	46.50	32.00	16.50	9.00	47.50	29.60	7.50	5.95	3.16	2.32
				Intermediate	950	27.20	16.00		16.00						
				Low	950	15.90	14.20		28.55	4.70					
HMH72B481S	YP9C080C16MP13C	24.5	XAHD60H	High	1475	46.50	32.00	16.50	9.00	47.50	29.60	7.50	5.95	3.16	2.32
				Intermediate	950	27.20	16.00		16.00						
				Low	950	15.90	14.20		28.55	4.70					
HMH72B481S	TM9V080C16MP12C	24.5	XAHD60H	High	1475	46.50	32.00	16.50	9.00	47.50	29.60	7.50	5.95	3.16	2.32
				Intermediate	950	27.20	16.00		16.00						
				Low	950	15.90	14.20		28.55	4.70					
HMH72B481S	TP9C080C16MP13C	24.5	XAHD60H	High	1475	46.50	32.00	16.50	9.00	47.50	29.60	7.50	5.95	3.16	2.32
				Intermediate	950	27.20	16.00		16.00						
				Low	950	15.90	14.20		28.55	4.70					
HMH72B481S	YP9C080C16MP13C	24.5	XAHD60H	High	1475	46.50	32.00	16.50	9.00	47.50	29.60	7.50	5.95	3.16	2.32
				Intermediate	950	27.20	16.00		16.00						
				Low	950	15.90	14.20		28.55	4.70					
HMH72B481S	TM9V080B12MP12C	21.0	XAFC60H	High	1200	46.50	30.40	17.50	9.50	46.50	29.00	7.50	5.85	3.14	2.34
				Intermediate	775	27.00	14.30		16.35						
				Low	775	16.00	13.20		31.55	4.70					
HMH72B481S	TP9C080B12MP13C	21.0	XAFC60H	High	1200	46.50	30.40	17.50	9.50	46.50	29.00	7.50	5.85	3.14	2.34
				Intermediate	775	27.00	14.30		16.35						
				Low	775	16.00	13.20		31.55	4.70					
HMH72B481S	YP9C080B12MP13C	21.0	XAFC60H	High	1200	46.50	30.40	17.50	9.50	46.50	29.00	7.50	5.85	3.14	2.34
				Intermediate	775	27.00	14.30		16.35						
				Low	775	16.00	13.20		31.55	4.70					
HMH72B481S	TM9V080B12MP12C	21.0	XAFC60H	High	1200	46.50	30.40	17.50	9.50	46.50	29.00	7.50	5.85	3.14	2.34
				Intermediate	775	27.00	14.30		16.35						
				Low	775	16.00	13.20		31.55	4.70					

**Table 9: Furnace capacity - 4 ton**

Outdoor unit model	Furnace model	Furnace width (in.)	Indoor coil model	Stage	Rated CFM	Net cool (MBH)	Sens cool (MBH)	SEER2	EER2	Net47 (MBH)	Net17 (MBH)	HSPF2 IV	HSPF2 V	Cop47	Cop17
HMH72B481S	TP9C080B12MP13C	21.0	XAFC60H	High	1200	46.50	30.40	17.50	9.50	46.50	29.00	7.50	5.85	3.14	2.34
				Intermediate	775	27.00	14.30		16.35						
				Low	775	16.00	13.20		31.55						
HMH72B481S	YP9C080B12MP13C	21.0	XAFC60H	High	1200	46.50	30.40	17.50	9.50	46.50	29.00	7.50	5.85	3.14	2.34
				Intermediate	775	27.00	14.30		16.35						
				Low	775	16.00	13.20		31.55						
HMH72B481S	TM9E100C20MP12	24.5	XAHD60J	High	1575	46.00	33.60	16.50	9.00	47.00	30.00	7.50	5.85	3.28	2.36
				Intermediate	1175	28.40	19.80		16.10						
				Low	1175	16.30	15.90		27.40						
HMH72B481S	TM9E100C20MP12	24.5	XAHD60J	High	1575	46.00	33.60	16.50	9.00	47.00	30.00	7.50	5.85	3.28	2.36
				Intermediate	1175	28.40	19.80		16.10						
				Low	1175	16.30	15.90		27.40						
HMH72B481S	TM9E100C16MP12	24.5	XAHD60J	High	1475	45.50	32.60	17.50	9.00	46.50	29.80	7.50	5.50	3.22	2.34
				Intermediate	825	26.80	15.00		16.45						
				Low	825	15.90	13.40		33.30						
HMH72B481S	TM9E100C16MP12	24.5	XAHD60J	High	1475	45.50	32.60	17.50	9.00	46.50	29.80	7.50	5.50	3.22	2.34
				Intermediate	825	26.80	15.00		16.45						
				Low	825	15.90	13.40		33.30						
HMH72B481S	TM9E080C20MP12	24.5	XAHD60J	High	1625	46.50	34.40	16.50	9.00	47.00	30.20	7.50	5.85	3.30	2.36
				Intermediate	1200	28.40	20.00		16.10						
				Low	1200	16.40	16.10		27.25						
HMH72B481S	TM9E080C20MP12	24.5	XAHD60J	High	1625	46.50	34.40	16.50	9.00	47.00	30.20	7.50	5.85	3.30	2.36
				Intermediate	1200	28.40	20.00		16.10						
				Low	1200	16.40	16.10		27.25						
HMH72B481S	TM9E080C16MP12	24.5	XAHD60J	High	1425	45.50	32.20	17.50	9.00	46.00	29.60	7.50	5.55	3.22	2.34
				Intermediate	800	26.80	14.80		16.50						
				Low	800	15.80	13.20		33.80						
HMH72B481S	TM9E080C16MP12	24.5	XAHD60J	High	1425	45.50	32.20	17.50	9.00	46.00	29.60	7.50	5.55	3.22	2.34
				Intermediate	800	26.80	14.80		16.50						
				Low	800	15.80	13.20		33.80						
HMH72B481S	TM9E080B12MP12	21.0	XAHC60H	High	1250	45.50	30.00	17.50	9.50	46.00	28.80	7.50	5.95	3.10	2.30
				Intermediate	850	27.00	15.00		16.40						
				Low	850	15.90	13.50		31.95						
HMH72B481S	TM9E080B12MP12	21.0	XAHC60H	High	1250	45.50	30.00	17.50	9.50	46.00	28.80	7.50	5.95	3.10	2.30
				Intermediate	850	27.00	15.00		16.40						
				Low	850	15.90	13.50		31.95						
HMH72B481S	TM8E120C20MP11	24.5	XAHD60H	High	1375	46.50	31.60	16.00	9.50	46.50	28.80	7.50	6.00	3.20	2.36
				Intermediate	1200	28.40	19.10		15.90						
				Low	1200	16.30	16.10		25.65						
HMH72B481S	TMLE120C20MP11	24.5	XAHD60H	High	1375	46.50	31.60	16.00	9.50	46.50	28.80	7.50	6.00	3.20	2.36
				Intermediate	1200	28.40	19.10		15.90						
				Low	1200	16.30	16.10		25.65						
HMH72B481S	TM8E120C20MP11	24.5	XAHD60H	High	1375	46.50	31.60	16.00	9.50	46.50	28.80	7.50	6.00	3.20	2.36
				Intermediate	1200	28.40	19.10		15.90						
				Low	1200	16.30	16.10		25.65						
HMH72B481S	TMLE120C20MP11	24.5	XAHD60H	High	1375	46.50	31.60	16.00	9.50	46.50	28.80	7.50	6.00	3.20	2.36
				Intermediate	1200	28.40	19.10		15.90						
				Low	1200	16.30	16.10		25.65						
HMH72B481S	TM8E120C16MP11	24.5	XAHD60H	High	1475	47.00	32.60	17.50	9.50	47.00	29.40	7.50	5.85	3.20	2.34
				Intermediate	825	26.80	14.50		16.55						
				Low	825	15.90	13.30		33.50						
HMH72B481S	TMLE120C16MP11	24.5	XAHD60H	High	1475	47.00	32.60	17.50	9.50	47.00	29.40	7.50	5.85	3.20	2.34
				Intermediate	825	26.80	14.50		16.55						
				Low	825	15.90	13.30		33.50						
HMH72B481S	TM8E120C16MP11	24.5	XAHD60H	High	1475	47.00	32.60	17.50	9.50	47.00	29.40	7.50	5.85	3.20	2.34
				Intermediate	825	26.80	14.50		16.55						
				Low	825	15.90	13.30		33.50						
HMH72B481S	TMLE120C16MP11	24.5	XAHD60H	High	1475	47.00	32.60	17.50	9.50	47.00	29.40	7.50	5.85	3.20	2.34
				Intermediate	825	26.80	14.50		16.55						
				Low	825	15.90	13.30		33.50						

**Table 9: Furnace capacity - 4 ton**

Outdoor unit model	Furnace model	Furnace width (in.)	Indoor coil model	Stage	Rated CFM	Net cool (MBH)	Sens cool (MBH)	SEER2	EER2	Net47 (MBH)	Net17 (MBH)	HSPF2 IV	HSPF2 V	Cop47	Cop17
HMH72B481S	TM8E100C20MP11	24.5	XAHD60H	High	1375	46.50	31.60	16.00	9.50	46.50	28.80	7.50	6.10	3.18	2.34
				Intermediate	1150	28.20	18.50		15.90						
				Low	1150	16.20	15.70		26.15	4.90					
HMH72B481S	TMLE100C20MP11	24.5	XAHD60H	High	1375	46.50	31.60	16.00	9.50	46.50	28.80	7.50	6.10	3.18	2.34
				Intermediate	1150	28.20	18.50		15.90						
				Low	1150	16.20	15.70		26.15	4.90					
HMH72B481S	TM8E100C20MP11	24.5	XAHD60H	High	1375	46.50	31.60	16.00	9.50	46.50	28.80	7.50	6.10	3.18	2.34
				Intermediate	1150	28.20	18.50		15.90						
				Low	1150	16.20	15.70		26.15	4.90					
HMH72B481S	TMLE100C20MP11	24.5	XAHD60H	High	1375	46.50	31.60	16.00	9.50	46.50	28.80	7.50	6.10	3.18	2.34
				Intermediate	1150	28.20	18.50		15.90						
				Low	1150	16.20	15.70		26.15	4.90					
HMH72B481S	TM8E100C16MP11	24.5	XAHD60H	High	1475	47.00	32.60	17.50	9.50	47.00	29.40	7.50	5.85	3.20	2.34
				Intermediate	800	26.80	14.30		16.50						
				Low	800	15.80	13.00		33.40	4.70					
HMH72B481S	TMLE100C16MP11	24.5	XAHD60H	High	1475	47.00	32.60	17.50	9.50	47.00	29.40	7.50	5.85	3.20	2.34
				Intermediate	800	26.80	14.30		16.50						
				Low	800	15.80	13.00		33.40	4.70					
HMH72B481S	TM8E100C16MP11	24.5	XAHD60H	High	1475	47.00	32.60	17.50	9.50	47.00	29.40	7.50	5.85	3.20	2.34
				Intermediate	800	26.80	14.30		16.50						
				Low	800	15.80	13.00		33.40	4.70					
HMH72B481S	TMLE100C16MP11	24.5	XAHD60H	High	1475	47.00	32.60	17.50	9.50	47.00	29.40	7.50	5.85	3.20	2.34
				Intermediate	800	26.80	14.30		16.50						
				Low	800	15.80	13.00		33.40	4.70					
HMH72B481S	TM8E080C20MP11	24.5	XAHD60H	High	1425	47.00	32.40	16.50	9.50	46.50	29.00	7.50	6.00	3.20	2.36
				Intermediate	1175	28.40	18.90		16.05						
				Low	1175	16.30	15.90		26.55	4.90					
HMH72B481S	TMLE080C20MP11	24.5	XAHD60H	High	1425	47.00	32.40	16.50	9.50	46.50	29.00	7.50	6.00	3.20	2.36
				Intermediate	1175	28.40	18.90		16.05						
				Low	1175	16.30	15.90		26.55	4.90					
HMH72B481S	TM8E080C20MP11	24.5	XAHD60H	High	1425	47.00	32.40	16.50	9.50	46.50	29.00	7.50	6.00	3.20	2.36
				Intermediate	1175	28.40	18.90		16.05						
				Low	1175	16.30	15.90		26.55	4.90					
HMH72B481S	TMLE080C20MP11	24.5	XAHD60H	High	1425	47.00	32.40	16.50	9.50	46.50	29.00	7.50	6.00	3.20	2.36
				Intermediate	1175	28.40	18.90		16.05						
				Low	1175	16.30	15.90		26.55	4.90					
HMH72B481S	TM8E080C16MP11	24.5	XAHD60H	High	1475	47.00	32.60	17.50	9.50	47.00	29.40	7.50	5.85	3.20	2.34
				Intermediate	825	26.80	14.50		16.50						
				Low	825	15.90	13.30		33.15	4.10					
HMH72B481S	TMLE080C16MP11	24.5	XAHD60H	High	1475	47.00	32.60	17.50	9.50	47.00	29.40	7.50	5.85	3.20	2.34
				Intermediate	825	26.80	14.50		16.50						
				Low	825	15.90	13.30		33.15	4.10					
HMH72B481S	TM8E080C16MP11	24.5	XAHD60H	High	1475	47.00	32.60	17.50	9.50	47.00	29.40	7.50	5.85	3.20	2.34
				Intermediate	825	26.80	14.50		16.50						
				Low	825	15.90	13.30		33.15	4.10					
HMH72B481S	TMLE080C16MP11	24.5	XAHD60H	High	1475	47.00	32.60	17.50	9.50	47.00	29.40	7.50	5.85	3.20	2.34
				Intermediate	825	26.80	14.50		16.50						
				Low	825	15.90	13.30		33.15	4.10					
HMH72B481S	TM8E080B12MP11	21.0	XAFC60H	High	1250	46.50	30.60	17.00	9.50	47.00	29.40	7.50	6.10	3.14	2.34
				Intermediate	900	27.60	15.90		16.35						
				Low	900	16.20	14.10		29.95	4.90					
HMH72B481S	TMLE080B12MP11	21.0	XAFC60H	High	1250	46.50	30.60	17.00	9.50	47.00	29.40	7.50	6.10	3.14	2.34
				Intermediate	900	27.60	15.90		16.35						
				Low	900	16.20	14.10		29.95	4.90					
HMH72B481S	TM8E080B12MP11	21.0	XAFC60H	High	1250	46.50	30.60	17.00	9.50	47.00	29.40	7.50	6.10	3.14	2.34
				Intermediate	900	27.60	15.90		16.35						
				Low	900	16.20	14.10		29.95	4.90					
HMH72B481S	TMLE080B12MP11	21.0	XAFC60H	High	1250	46.50	30.60	17.00	9.50	47.00	29.40	7.50	6.10	3.14	2.34
				Intermediate	900	27.60	15.90		16.35						
				Low	900	16.20	14.10		29.95	4.90					



**Table 9: Furnace capacity - 4 ton**

Outdoor unit model	Furnace model	Furnace width (in.)	Indoor coil model	Stage	Rated CFM	Net cool (MBH)	Sens cool (MBH)	SEER2	EER2	Net47 (MBH)	Net17 (MBH)	HSPF2 IV	HSPF2 V	Cop47	Cop17
HMH72B481S	TL9E100C20UH11	21.0	XAFC60H	High	1475	48.00	33.20	17.50	9.50	48.00	29.80	7.50	5.50	3.28	2.40
				Intermediate	1100	28.60	18.30		16.70						
				Low	1100	16.60	15.70		29.40						
HMH72B481S	TL9E100C20UH11	21.0	XAFC60H	High	1475	48.00	33.20	17.50	9.50	48.00	29.80	7.50	5.50	3.28	2.40
				Intermediate	1100	28.60	18.30		16.70						
				Low	1100	16.60	15.70		29.40						

## Furnace capacity - 5 ton

**Table 10: Furnace capacity - 5 ton**

Outdoor unit model	Furnace model	Furnace width (in.)	Indoor coil model	Stage	Rated CFM	Net cool (MBH)	Sens cool (MBH)	SEER2	EER2	Net47 (MBH)	Net17 (MBH)	HSPF2 IV	HSPF2 V	Cop47	Cop17
HMH72B601S	TM9V120D20MP12C	24.5	CF64D	High	1800	58.00	39.50	16.00	8.25	56.50	39.00	9.50	7.75	3.22	2.56
				Intermediate	1125	33.20	18.50		15.85						
				Low	1125	18.30	16.20		30.60						
HMH72B601S	TP9C120D20MP13C	24.5	CF64D	High	1800	58.00	39.50	16.00	8.25	56.50	39.00	9.50	7.75	3.22	2.56
				Intermediate	1125	33.20	18.50		15.85						
				Low	1125	18.30	16.20		30.60						
HMH72B601S	YP9C120D20MP13C	24.5	CF64D	High	1800	58.00	39.50	16.00	8.25	56.50	39.00	9.50	7.75	3.22	2.56
				Intermediate	1125	33.20	18.50		15.85						
				Low	1125	18.30	16.20		30.60						
HMH72B601S	TM9V120D20MP12C	24.5	CM64D	High	1800	58.00	39.50	16.00	8.25	56.50	39.00	9.50	7.75	3.22	2.56
				Intermediate	1125	33.20	18.50		15.85						
				Low	1125	18.30	16.20		30.60						
HMH72B601S	TP9C120D20MP13C	24.5	CM64D	High	1800	58.00	39.50	16.00	8.25	56.50	39.00	9.50	7.75	3.22	2.56
				Intermediate	1125	33.20	18.50		15.85						
				Low	1125	18.30	16.20		30.60						
HMH72B601S	YP9C120D20MP13C	24.5	CM64D	High	1800	58.00	39.50	16.00	8.25	56.50	39.00	9.50	7.75	3.22	2.56
				Intermediate	1125	33.20	18.50		15.85						
				Low	1125	18.30	16.20		30.60						
HMH72B601S	TM9V100C16MP12C	24.5	CF64D	High	1600	57.00	38.00	15.75	8.25	55.50	38.00	9.50	7.85	3.16	2.52
				Intermediate	1100	33.00	18.20		15.60						
				Low	1100	18.10	16.00		29.35						
HMH72B601S	TP9C100C16MP13C	24.5	CF64D	High	1600	57.00	38.00	15.75	8.25	55.50	38.00	9.50	7.85	3.16	2.52
				Intermediate	1100	33.00	18.20		15.60						
				Low	1100	18.10	16.00		29.35						
HMH72B601S	YP9C100C16MP13C	24.5	CF64D	High	1600	57.00	38.00	15.75	8.25	55.50	38.00	9.50	7.85	3.16	2.52
				Intermediate	1100	33.00	18.20		15.60						
				Low	1100	18.10	16.00		29.35						
HMH72B601S	TM9V100C16MP12C	24.5	CM64D	High	1600	57.00	38.00	15.75	8.25	55.50	38.00	9.50	7.85	3.16	2.52
				Intermediate	1100	33.00	18.20		15.60						
				Low	1100	18.10	16.00		29.35						
HMH72B601S	TP9C100C16MP13C	24.5	CM64D	High	1600	57.00	38.00	15.75	8.25	55.50	38.00	9.50	7.85	3.16	2.52
				Intermediate	1100	33.00	18.20		15.60						
				Low	1100	18.10	16.00		29.35						
HMH72B601S	YP9C100C16MP13C	24.5	CM64D	High	1600	57.00	38.00	15.75	8.25	55.50	38.00	9.50	7.85	3.16	2.52
				Intermediate	1100	33.00	18.20		15.60						
				Low	1100	18.10	16.00		29.35						
HMH72B601S	TM9E120D20MP12	24.5	CF64D	High	1725	57.50	39.00	15.75	8.25	56.00	38.50	9.50	7.85	3.18	2.54
				Intermediate	1275	33.80	20.20		15.50						
				Low	1275	18.40	17.30		27.45						
HMH72B601S	TM9E120D20MP12	24.5	CM64D	High	1725	57.50	39.00	15.75	8.25	56.00	38.50	9.50	7.85	3.18	2.54
				Intermediate	1275	33.80	20.20		15.50						
				Low	1275	18.40	17.30		27.45						
HMH72B601S	TM8E100C20MP11	24.5	CF64D	High	1750	57.50	39.00	15.75	8.25	56.00	38.50	9.50	7.80	3.20	2.54
				Intermediate	1300	34.00	20.60		15.65						
				Low	1300	18.50	17.50		27.95						

**Table 10: Furnace capacity - 5 ton**

Outdoor unit model	Furnace model	Furnace width (in.)	Indoor coil model	Stage	Rated CFM	Net cool (MBH)	Sens cool (MBH)	SEER2	EER2	Net47 (MBH)	Net17 (MBH)	HSPF2 IV	HSPF2 V	Cop47	Cop17
HMH72B601S	TMLE100C20MP11	24.5	CF64D	High	1750	57.50	39.00	15.75	8.25	56.00	38.50	9.50	7.80	3.20	2.54
				Intermediate	1300	34.00	20.60		15.65						
				Low	1300	18.50	17.50		27.95	18.40					
HMH72B601S	TM8E100C20MP11	24.5	CM64D	High	1750	57.50	39.00	15.75	8.25	56.00	38.50	9.50	7.80	3.20	2.54
				Intermediate	1300	34.00	20.60		15.65						
				Low	1300	18.50	17.50		27.95	18.40					
HMH72B601S	TMLE100C20MP11	24.5	CM64D	High	1750	57.50	39.00	15.75	8.25	56.00	38.50	9.50	7.80	3.20	2.54
				Intermediate	1300	34.00	20.60		15.65						
				Low	1300	18.50	17.50		27.95	18.40					
HMH72B601S	TM8E080C20MP11	24.5	CF64D	High	1575	57.00	37.80	16.00	8.50	55.00	37.80	9.50	7.70	3.18	2.56
				Intermediate	1300	34.00	20.60		15.60						
				Low	1300	18.50	17.50		27.80	18.50					
HMH72B601S	TMLE080C20MP11	24.5	CF64D	High	1575	57.00	37.80	16.00	8.50	55.00	37.80	9.50	7.70	3.18	2.56
				Intermediate	1300	34.00	20.60		15.60						
				Low	1300	18.50	17.50		27.80	18.50					
HMH72B601S	TM8E080C20MP11	24.5	CM64D	High	1575	57.00	37.80	16.00	8.50	55.00	37.80	9.50	7.70	3.18	2.56
				Intermediate	1300	34.00	20.60		15.60						
				Low	1300	18.50	17.50		27.80	18.50					
HMH72B601S	TMLE080C20MP11	24.5	CM64D	High	1575	57.00	37.80	16.00	8.50	55.00	37.80	9.50	7.70	3.18	2.56
				Intermediate	1300	34.00	20.60		15.60						
				Low	1300	18.50	17.50		27.80	18.50					
HMH72B601S	TM8E080C16MP11	24.5	CF64D	High	1575	57.00	37.80	16.00	8.25	55.50	38.00	9.50	7.85	3.14	2.52
				Intermediate	900	32.20	16.00		15.75						
				Low	900	17.90	14.60		32.70	17.50					
HMH72B601S	TMLE080C16MP11	24.5	CF64D	High	1575	57.00	37.80	16.00	8.25	55.50	38.00	9.50	7.85	3.14	2.52
				Intermediate	900	32.20	16.00		15.75						
				Low	900	17.90	14.60		32.70	17.50					
HMH72B601S	TM8E080C16MP11	24.5	CM64D	High	1575	57.00	37.80	16.00	8.25	55.50	38.00	9.50	7.85	3.14	2.52
				Intermediate	900	32.20	16.00		15.75						
				Low	900	17.90	14.60		32.70	17.50					
HMH72B601S	TMLE080C16MP11	24.5	CM64D	High	1575	57.00	37.80	16.00	8.25	55.50	38.00	9.50	7.85	3.14	2.52
				Intermediate	900	32.20	16.00		15.75						
				Low	900	17.90	14.60		32.70	17.50					
HMH72B601S	TL9E100C20UH11	24.5	CF64D	High	1600	57.00	38.00	16.00	8.25	55.50	38.00	9.50	7.80	3.18	2.54
				Intermediate	1200	33.60	19.40		15.75						
				Low	1200	18.30	16.70		29.40	18.20					
HMH72B601S	TL9E100C20UH11	24.5	CM64D	High	1600	57.00	38.00	16.00	8.25	55.50	38.00	9.50	7.80	3.18	2.54
				Intermediate	1200	33.60	19.40		15.75						
				Low	1200	18.30	16.70		29.40	18.20					
HMH72B601S	TM9Y100C20MP11	24.5	CF64D	High	1550	56.50	37.20	15.50	8.25	55.50	38.00	9.50	7.90	3.14	2.52
				Intermediate	1225	33.60	19.80		15.35						
				Low	1225	18.20	16.90		27.00	18.40					
HMH72B601S	TM9Y100C20MP11	24.5	CM64D	High	1550	56.50	37.20	15.50	8.25	55.50	38.00	9.50	7.90	3.14	2.52
				Intermediate	1225	33.60	19.80		15.35						
				Low	1225	18.20	16.90		27.00	18.40					
HMH72B601S	TM8Y080C16MP11	24.5	CF64D	High	1525	56.50	37.20	16.00	8.25	55.50	38.00	9.50	7.90	3.12	2.50
				Intermediate	1025	32.80	17.40		15.70						
				Low	1025	18.00	15.40		30.80	17.80					
HMH72B601S	TM8Y080C16MP11	24.5	CM64D	High	1525	56.50	37.20	16.00	8.25	55.50	38.00	9.50	7.90	3.12	2.50
				Intermediate	1025	32.80	17.40		15.70						
				Low	1025	18.00	15.40		30.80	17.80					
HMH72B601S	TM9V100C20MP12C	24.5	CF64D	High	1600	57.00	38.00	16.00	8.25	55.50	38.00	9.50	7.85	3.16	2.54
				Intermediate	975	32.60	16.90		15.65						
				Low	975	17.90	15.10		31.05	17.70					
HMH72B601S	TP9C100C20MP13C	24.5	CF64D	High	1600	57.00	38.00	16.00	8.25	55.50	38.00	9.50	7.85	3.16	2.54
				Intermediate	975	32.60	16.90		15.65						
				Low	975	17.90	15.10		31.05	17.70					
HMH72B601S	YP9C100C20MP13C	24.5	CF64D	High	1600	57.00	38.00	16.00	8.25	55.50	38.00	9.50	7.85	3.16	2.54
				Intermediate	975	32.60	16.90		15.65						
				Low	975	17.90	15.10		31.05	17.70					

**Table 10: Furnace capacity - 5 ton**

Outdoor unit model	Furnace model	Furnace width (in.)	Indoor coil model	Stage	Rated CFM	Net cool (MBH)	Sens cool (MBH)	SEER2	EER2	Net47 (MBH)	Net17 (MBH)	HSPF2 IV	HSPF2 V	Cop47	Cop17
HMH72B601S	TM9V100C20MP12C	24.5	CM64D	High	1600	57.00	38.00	16.00	8.25	55.50	38.00	9.50	7.85	3.16	2.54
				Intermediate	975	32.60	16.90		15.65						
				Low	975	17.90	15.10		31.05						
HMH72B601S	TP9C100C20MP13C	24.5	CM64D	High	1600	57.00	38.00	16.00	8.25	55.50	38.00	9.50	7.85	3.16	2.54
				Intermediate	975	32.60	16.90		15.65						
				Low	975	17.90	15.10		31.05						
HMH72B601S	YP9C100C20MP13C	24.5	CM64D	High	1600	57.00	38.00	16.00	8.25	55.50	38.00	9.50	7.85	3.16	2.54
				Intermediate	975	32.60	16.90		15.65						
				Low	975	17.90	15.10		31.05						
HMH72B601S	TM9V080C16MP12C	24.5	CF64D	High	1525	56.50	37.20	15.75	8.25	55.50	38.00	9.50	7.80	3.12	2.50
				Intermediate	975	32.40	16.80		15.50						
				Low	975	17.90	15.10		30.05						
HMH72B601S	TP9C080C16MP13C	24.5	CF64D	High	1525	56.50	37.20	15.75	8.25	55.50	38.00	9.50	7.80	3.12	2.50
				Intermediate	975	32.40	16.80		15.50						
				Low	975	17.90	15.10		30.05						
HMH72B601S	YP9C080C16MP13C	24.5	CF64D	High	1525	56.50	37.20	15.75	8.25	55.50	38.00	9.50	7.80	3.12	2.50
				Intermediate	975	32.40	16.80		15.50						
				Low	975	17.90	15.10		30.05						
HMH72B601S	TM9V080C16MP12C	24.5	CM64D	High	1525	56.50	37.20	15.75	8.25	55.50	38.00	9.50	7.80	3.12	2.50
				Intermediate	975	32.40	16.80		15.50						
				Low	975	17.90	15.10		30.05						
HMH72B601S	TP9C080C16MP13C	24.5	CM64D	High	1525	56.50	37.20	15.75	8.25	55.50	38.00	9.50	7.80	3.12	2.50
				Intermediate	975	32.40	16.80		15.50						
				Low	975	17.90	15.10		30.05						
HMH72B601S	YP9C080C16MP13C	24.5	CM64D	High	1525	56.50	37.20	15.75	8.25	55.50	38.00	9.50	7.80	3.12	2.50
				Intermediate	975	32.40	16.80		15.50						
				Low	975	17.90	15.10		30.05						
HMH72B601S	TM9E100C20MP12	24.5	CF64D	High	1725	57.50	39.00	15.75	8.25	56.00	38.50	9.50	7.70	3.20	2.56
				Intermediate	1275	33.80	20.20		15.65						
				Low	1275	18.40	17.20		28.25						
HMH72B601S	TM9E100C20MP12	24.5	CM64D	High	1725	57.50	39.00	15.75	8.25	56.00	38.50	9.50	7.70	3.20	2.56
				Intermediate	1275	33.80	20.20		15.65						
				Low	1275	18.40	17.20		28.25						
HMH72B601S	TM9E080C20MP12	24.5	CF64D	High	1750	57.50	39.00	15.75	8.25	56.00	38.50	9.50	7.80	3.20	2.54
				Intermediate	1275	33.80	20.20		15.65						
				Low	1275	18.40	17.20		28.05						
HMH72B601S	TM9E080C20MP12	24.5	CM64D	High	1750	57.50	39.00	15.75	8.25	56.00	38.50	9.50	7.80	3.20	2.54
				Intermediate	1275	33.80	20.20		15.65						
				Low	1275	18.40	17.20		28.05						
HMH72B601S	TM8V120C20MP12C	24.5	CF64D	High	1775	57.50	39.00	16.00	8.25	56.00	39.00	9.50	7.75	3.22	2.56
				Intermediate	1225	33.60	19.60		15.75						
				Low	1225	18.40	16.90		29.10						
HMH72B601S	TM8V100C20MP12C	24.5	CF64D	High	1775	57.50	39.00	16.00	8.25	56.00	39.00	9.50	7.75	3.22	2.56
				Intermediate	1225	33.60	19.60		15.75						
				Low	1225	18.40	16.90		29.10						
HMH72B601S	TMLV120C20MP12C	24.5	CF64D	High	1775	57.50	39.00	16.00	8.25	56.00	39.00	9.50	7.75	3.22	2.56
				Intermediate	1225	33.60	19.60		15.75						
				Low	1225	18.40	16.90		29.10						
HMH72B601S	TPLC100C20MP13C	24.5	CF64D	High	1775	57.50	39.00	16.00	8.25	56.00	39.00	9.50	7.75	3.22	2.56
				Intermediate	1225	33.60	19.60		15.75						
				Low	1225	18.40	16.90		29.10						
HMH72B601S	TPLC120C20MP13C	24.5	CF64D	High	1775	57.50	39.00	16.00	8.25	56.00	39.00	9.50	7.75	3.22	2.56
				Intermediate	1225	33.60	19.60		15.75						
				Low	1225	18.40	16.90		29.10						
HMH72B601S	YPLC100C20MP13C	24.5	CF64D	High	1775	57.50	39.00	16.00	8.25	56.00	39.00	9.50	7.75	3.22	2.56
				Intermediate	1225	33.60	19.60		15.75						
				Low	1225	18.40	16.90		29.10						
HMH72B601S	YPLC120C20MP13C	24.5	CF64D	High	1775	57.50	39.00	16.00	8.25	56.00	39.00	9.50	7.75	3.22	2.56
				Intermediate	1225	33.60	19.60		15.75						
				Low	1225	18.40	16.90		29.10						

**Table 10: Furnace capacity - 5 ton**

Outdoor unit model	Furnace model	Furnace width (in.)	Indoor coil model	Stage	Rated CFM	Net cool (MBH)	Sens cool (MBH)	SEER2	EER2	Net47 (MBH)	Net17 (MBH)	HSPF2 IV	HSPF2 V	Cop47	Cop17
HMH72B601S	TM8V120C20MP12C	24.5	CM64D	High	1775	57.50	39.00	16.00	8.25	56.00	39.00	9.50	7.75	3.22	2.56
				Intermediate	1225	33.60	19.60		15.75						
				Low	1225	18.40	16.90		29.10						
HMH72B601S	TM8V100C20MP12C	24.5	CM64D	High	1775	57.50	39.00	16.00	8.25	56.00	39.00	9.50	7.75	3.22	2.56
				Intermediate	1225	33.60	19.60		15.75						
				Low	1225	18.40	16.90		29.10						
HMH72B601S	TMLV120C20MP12C	24.5	CM64D	High	1775	57.50	39.00	16.00	8.25	56.00	39.00	9.50	7.75	3.22	2.56
				Intermediate	1225	33.60	19.60		15.75						
				Low	1225	18.40	16.90		29.10						
HMH72B601S	TPLC100C20MP13C	24.5	CM64D	High	1775	57.50	39.00	16.00	8.25	56.00	39.00	9.50	7.75	3.22	2.56
				Intermediate	1225	33.60	19.60		15.75						
				Low	1225	18.40	16.90		29.10						
HMH72B601S	TPLC120C20MP13C	24.5	CM64D	High	1775	57.50	39.00	16.00	8.25	56.00	39.00	9.50	7.75	3.22	2.56
				Intermediate	1225	33.60	19.60		15.75						
				Low	1225	18.40	16.90		29.10						
HMH72B601S	YPLC100C20MP13C	24.5	CM64D	High	1775	57.50	39.00	16.00	8.25	56.00	39.00	9.50	7.75	3.22	2.56
				Intermediate	1225	33.60	19.60		15.75						
				Low	1225	18.40	16.90		29.10						
HMH72B601S	YPLC120C20MP13C	24.5	CM64D	High	1775	57.50	39.00	16.00	8.25	56.00	39.00	9.50	7.75	3.22	2.56
				Intermediate	1225	33.60	19.60		15.75						
				Low	1225	18.40	16.90		29.10						
HMH72B601S	TM8E120C20MP11	24.5	CF64D	High	1525	57.00	37.60	15.75	8.50	55.00	37.60	9.50	7.75	3.18	2.56
				Intermediate	1300	34.00	20.60		15.45						
				Low	1300	18.40	17.40		26.95						
HMH72B601S	TMLE120C20MP11	24.5	CF64D	High	1525	57.00	37.60	15.75	8.50	55.00	37.60	9.50	7.75	3.18	2.56
				Intermediate	1300	34.00	20.60		15.45						
				Low	1300	18.40	17.40		26.95						
HMH72B601S	TM8E120C20MP11	24.5	CM64D	High	1525	57.00	37.60	15.75	8.50	55.00	37.60	9.50	7.75	3.18	2.56
				Intermediate	1300	34.00	20.60		15.45						
				Low	1300	18.40	17.40		26.95						
HMH72B601S	TMLE120C20MP11	24.5	CM64D	High	1525	57.00	37.60	15.75	8.50	55.00	37.60	9.50	7.75	3.18	2.56
				Intermediate	1300	34.00	20.60		15.45						
				Low	1300	18.40	17.40		26.95						
HMH72B601S	TM8E120C16MP11	24.5	CF64D	High	1575	57.00	37.80	16.00	8.25	55.50	38.00	9.50	7.85	3.16	2.52
				Intermediate	900	32.20	15.90		15.80						
				Low	900	17.90	14.60		33.00						
HMH72B601S	TMLE120C16MP11	24.5	CF64D	High	1575	57.00	37.80	16.00	8.25	55.50	38.00	9.50	7.85	3.16	2.52
				Intermediate	900	32.20	15.90		15.80						
				Low	900	17.90	14.60		33.00						
HMH72B601S	TM8E120C16MP11	24.5	CM64D	High	1575	57.00	37.80	16.00	8.25	55.50	38.00	9.50	7.85	3.16	2.52
				Intermediate	900	32.20	15.90		15.80						
				Low	900	17.90	14.60		33.00						
HMH72B601S	TMLE120C16MP11	24.5	CM64D	High	1575	57.00	37.80	16.00	8.25	55.50	38.00	9.50	7.85	3.16	2.52
				Intermediate	900	32.20	15.90		15.80						
				Low	900	17.90	14.60		33.00						
HMH72B601S	TM8E100C16MP11	24.5	CF64D	High	1575	57.00	37.80	16.00	8.25	55.50	38.00	9.50	7.85	3.14	2.52
				Intermediate	1025	32.80	17.40		15.75						
				Low	1025	18.10	15.50		31.20						
HMH72B601S	TMLE100C16MP11	24.5	CF64D	High	1575	57.00	37.80	16.00	8.25	55.50	38.00	9.50	7.85	3.14	2.52
				Intermediate	1025	32.80	17.40		15.75						
				Low	1025	18.10	15.50		31.20						
HMH72B601S	TM8E100C16MP11	24.5	CM64D	High	1575	57.00	37.80	16.00	8.25	55.50	38.00	9.50	7.85	3.14	2.52
				Intermediate	1025	32.80	17.40		15.75						
				Low	1025	18.10	15.50		31.20						
HMH72B601S	TMLE100C16MP11	24.5	CM64D	High	1575	57.00	37.80	16.00	8.25	55.50	38.00	9.50	7.85	3.14	2.52
				Intermediate	1025	32.80	17.40		15.75						
				Low	1025	18.10	15.50		31.20						
HMH72B601S	TL8E100C20UH11	24.5	CF64D	High	1600	57.00	38.00	16.25	8.50	55.50	38.00	9.50	7.75	3.18	2.56
				Intermediate	1125	33.40	18.70		15.90						
				Low	1125	18.30	16.20		31.05						

**Table 10: Furnace capacity - 5 ton**

Outdoor unit model	Furnace model	Furnace width (in.)	Indoor coil model	Stage	Rated CFM	Net cool (MBH)	Sens cool (MBH)	SEER2	EER2	Net47 (MBH)	Net17 (MBH)	HSPF2 IV	HSPF2 V	Cop47	Cop17
HMH72B601S	TL8E100C20UH11	24.5	CM64D	High	1600	57.00	38.00	16.25	8.50	55.50	38.00	9.50	7.75	3.18	2.56
				Intermediate	1125	33.40	18.70		15.90						
				Low	1125	18.30	16.20		31.05	17.90					
HMH72B601S	TL8E080C16UH11	24.5	CF64D	High	1550	56.50	37.20	16.00	8.25	55.50	38.00	9.50	7.90	3.14	2.52
				Intermediate	1000	32.60	17.10		15.65						
				Low	1000	18.00	15.30		30.85	17.70					
HMH72B601S	TL8E080C16UH11	24.5	CM64D	High	1550	56.50	37.20	16.00	8.25	55.50	38.00	9.50	7.90	3.14	2.52
				Intermediate	1000	32.60	17.10		15.65						
				Low	1000	18.00	15.30		30.85	17.70					
HMH72B601S	TM9Y120D20MP11	24.5	CF64D	High	1575	57.00	37.80	16.25	8.25	55.50	38.00	9.50	7.80	3.16	2.54
				Intermediate	1050	33.00	17.70		15.90						
				Low	1050	18.20	15.70		31.90	17.80					
HMH72B601S	TM9Y120D20MP11	24.5	CM64D	High	1575	57.00	37.80	16.25	8.25	55.50	38.00	9.50	7.80	3.16	2.54
				Intermediate	1050	33.00	17.70		15.90						
				Low	1050	18.20	15.70		31.90	17.80					
HMH72B601S	TM8Y120C20MP11	24.5	CF64D	High	1550	57.00	37.80	16.25	8.50	55.00	37.80	9.50	7.70	3.16	2.54
				Intermediate	1075	33.00	17.90		15.85						
				Low	1075	18.20	15.80		31.35	17.80					
HMH72B601S	TM8Y100C20MP11	24.5	CF64D	High	1550	57.00	37.80	16.25	8.50	55.00	37.80	9.50	7.70	3.16	2.54
				Intermediate	1075	33.00	17.90		15.85						
				Low	1075	18.20	15.80		31.35	17.80					
HMH72B601S	TM8Y120C20MP11	24.5	CM64D	High	1550	57.00	37.80	16.25	8.50	55.00	37.80	9.50	7.70	3.16	2.54
				Intermediate	1075	33.00	17.90		15.85						
				Low	1075	18.20	15.80		31.35	17.80					
HMH72B601S	TM8Y100C20MP11	24.5	CM64D	High	1550	57.00	37.80	16.25	8.50	55.00	37.80	9.50	7.70	3.16	2.54
				Intermediate	1075	33.00	17.90		15.85						
				Low	1075	18.20	15.80		31.35	17.80					
HMH72B601S	TM9Y100C20MP11	24.5	XAHD60J	High	1525	55.50	36.80	15.75	8.25	56.00	35.80	9.00	7.10	3.10	2.40
				Intermediate	1200	33.40	19.80		15.15						
				Low	1200	19.90	18.50		29.60	18.00					
HMH72B601S	TM9E120D20MP12	24.5	XAHD60J	High	1575	56.00	37.40	15.75	8.00	56.00	36.00	9.00	7.25	3.12	2.40
				Intermediate	1250	33.60	20.40		15.30						
				Low	1250	20.20	19.00		30.10	18.10					
HMH72B601S	TM9E100C20MP12	24.5	XAHD60J	High	1675	56.00	38.00	16.00	8.00	56.50	36.40	9.00	7.30	3.14	2.40
				Intermediate	1250	33.80	20.40		15.50						
				Low	1250	20.20	18.90		31.15	18.10					
HMH72B601S	TM9E080C20MP12	24.5	XAHD60J	High	1725	56.50	38.50	16.00	8.00	57.00	36.60	9.00	7.20	3.16	2.40
				Intermediate	1275	33.80	20.60		15.55						
				Low	1275	20.40	19.30		31.15	18.10					
HMH72B601S	TM8Y100C16MP11	24.5	XAHD60J	High	1525	55.50	36.80	16.00	8.00	56.00	35.80	9.00	7.30	3.10	2.38
				Intermediate	1050	32.80	17.80		15.60						
				Low	1050	19.40	16.90		33.55	17.40					
HMH72B601S	TM8E120C16MP11	24.5	XAHD60J	High	1575	56.00	37.40	16.00	8.00	56.00	36.00	9.00	7.30	3.12	2.40
				Intermediate	1025	32.60	17.50		15.55						
				Low	1025	19.30	16.70		33.55	17.40					
HMH72B601S	TMLE120C16MP11	24.5	XAHD60J	High	1575	56.00	37.40	16.00	8.00	56.00	36.00	9.00	7.30	3.12	2.40
				Intermediate	1025	32.60	17.50		15.55						
				Low	1025	19.30	16.70		33.55	17.40					
HMH72B601S	TM8E100C20MP11	24.5	XAHD60J	High	1500	55.50	36.60	16.00	8.25	55.50	35.60	9.00	7.20	3.12	2.40
				Intermediate	1250	33.60	20.40		15.40						
				Low	1250	20.20	19.00		30.45	18.10					
HMH72B601S	TMLE100C20MP11	24.5	XAHD60J	High	1500	55.50	36.60	16.00	8.25	55.50	35.60	9.00	7.20	3.12	2.40
				Intermediate	1250	33.60	20.40		15.40						
				Low	1250	20.20	19.00		30.45	18.10					
HMH72B601S	TM8E100C16MP11	24.5	XAHD60J	High	1550	55.50	36.80	16.00	8.00	56.00	36.00	9.00	7.15	3.10	2.38
				Intermediate	1000	32.40	17.10		15.50						
				Low	1000	19.20	16.40		33.35	17.30					
HMH72B601S	TMLE100C16MP11	24.5	XAHD60J	High	1550	55.50	36.80	16.00	8.00	56.00	36.00	9.00	7.15	3.10	2.38
				Intermediate	1000	32.40	17.10		15.50						
				Low	1000	19.20	16.40		33.35	17.30					

**Table 10: Furnace capacity - 5 ton**

Outdoor unit model	Furnace model	Furnace width (in.)	Indoor coil model	Stage	Rated CFM	Net cool (MBH)	Sens cool (MBH)	SEER2	EER2	Net47 (MBH)	Net17 (MBH)	HSPF2 IV	HSPF2 V	Cop47	Cop17
HMH72B601S	TM8E080C20MP11	24.5	XAHD60J	High	1525	56.00	37.20	16.00	8.25	55.50	35.60	9.00	7.20	3.12	2.40
				Intermediate	1275	33.80	20.60		15.45						
				Low	1275	20.40	19.30		30.65						
HMH72B601S	TMLE080C20MP11	24.5	XAHD60J	High	1525	56.00	37.20	16.00	8.25	55.50	35.60	9.00	7.20	3.12	2.40
				Intermediate	1275	33.80	20.60		15.45						
				Low	1275	20.40	19.30		30.65						
HMH72B601S	TM8E080C16MP11	24.5	XAHD60J	High	1550	55.50	36.80	16.00	8.00	56.00	36.00	9.00	7.30	3.10	2.38
				Intermediate	1025	32.60	17.50		15.55						
				Low	1025	19.30	16.70		33.35						
HMH72B601S	TMLE080C16MP11	24.5	XAHD60J	High	1550	55.50	36.80	16.00	8.00	56.00	36.00	9.00	7.30	3.10	2.38
				Intermediate	1025	32.60	17.50		15.55						
				Low	1025	19.30	16.70		33.35						
HMH72B601S	TL9E100C20UH11	24.5	XAHD60J	High	1575	56.00	37.40	16.00	8.00	56.00	36.00	9.00	7.20	3.12	2.40
				Intermediate	1175	33.40	19.40		15.55						
				Low	1175	20.00	18.30		32.15						
HMH72B601S	TL8E100C20UH11	24.5	XAHD60J	High	1575	56.00	37.40	16.25	8.25	56.00	35.80	9.00	7.15	3.14	2.42
				Intermediate	1100	33.00	18.40		15.65						
				Low	1100	19.70	17.50		33.60						
HMH72B601S	TL8E080C16UH11	24.5	XAHD60J	High	1525	55.50	36.80	16.00	8.00	56.00	36.00	9.00	7.10	3.08	2.38
				Intermediate	1000	32.40	17.10		15.45						
				Low	1000	19.20	16.50		33.10						
HMH72B601S	TM9Y100C20MP11	24.5	XAHD60J	High	1525	55.50	36.80	15.75	8.25	56.00	35.80	9.00	7.10	3.10	2.40
				Intermediate	1200	33.40	19.80		15.15						
				Low	1200	19.90	18.50		29.60						
HMH72B601S	TM9E120D20MP12	24.5	XAHD60J	High	1575	56.00	37.40	15.75	8.00	56.00	36.00	9.00	7.25	3.12	2.40
				Intermediate	1250	33.60	20.40		15.30						
				Low	1250	20.20	19.00		30.10						
HMH72B601S	TM9E100C20MP12	24.5	XAHD60J	High	1675	56.00	38.00	16.00	8.00	56.50	36.40	9.00	7.30	3.14	2.40
				Intermediate	1250	33.80	20.40		15.50						
				Low	1250	20.20	18.90		31.15						
HMH72B601S	TM9E080C20MP12	24.5	XAHD60J	High	1725	56.50	38.50	16.00	8.00	57.00	36.60	9.00	7.20	3.16	2.40
				Intermediate	1275	33.80	20.60		15.55						
				Low	1275	20.40	19.30		31.15						
HMH72B601S	TM8Y100C16MP11	24.5	XAHD60J	High	1525	55.50	36.80	16.00	8.00	56.00	35.80	9.00	7.30	3.10	2.38
				Intermediate	1050	32.80	17.80		15.60						
				Low	1050	19.40	16.90		33.55						
HMH72B601S	TM8E120C16MP11	24.5	XAHD60J	High	1575	56.00	37.40	16.00	8.00	56.00	36.00	9.00	7.30	3.12	2.40
				Intermediate	1025	32.60	17.50		15.55						
				Low	1025	19.30	16.70		33.55						
HMH72B601S	TMLE120C16MP11	24.5	XAHD60J	High	1575	56.00	37.40	16.00	8.00	56.00	36.00	9.00	7.30	3.12	2.40
				Intermediate	1025	32.60	17.50		15.55						
				Low	1025	19.30	16.70		33.55						
HMH72B601S	TM8E100C20MP11	24.5	XAHD60J	High	1500	55.50	36.60	16.00	8.25	55.50	35.60	9.00	7.20	3.12	2.40
				Intermediate	1250	33.60	20.40		15.40						
				Low	1250	20.20	19.00		30.45						
HMH72B601S	TMLE100C20MP11	24.5	XAHD60J	High	1500	55.50	36.60	16.00	8.25	55.50	35.60	9.00	7.20	3.12	2.40
				Intermediate	1250	33.60	20.40		15.40						
				Low	1250	20.20	19.00		30.45						
HMH72B601S	TM8E100C16MP11	24.5	XAHD60J	High	1550	55.50	36.80	16.00	8.00	56.00	36.00	9.00	7.15	3.10	2.38
				Intermediate	1000	32.40	17.10		15.50						
				Low	1000	19.20	16.40		33.35						
HMH72B601S	TMLE100C16MP11	24.5	XAHD60J	High	1550	55.50	36.80	16.00	8.00	56.00	36.00	9.00	7.15	3.10	2.38
				Intermediate	1000	32.40	17.10		15.50						
				Low	1000	19.20	16.40		33.35						
HMH72B601S	TM8E080C20MP11	24.5	XAHD60J	High	1525	56.00	37.20	16.00	8.25	55.50	35.60	9.00	7.20	3.12	2.40
				Intermediate	1275	33.80	20.60		15.45						
				Low	1275	20.40	19.30		30.65						
HMH72B601S	TMLE080C20MP11	24.5	XAHD60J	High	1525	56.00	37.20	16.00	8.25	55.50	35.60	9.00	7.20	3.12	2.40
				Intermediate	1275	33.80	20.60		15.45						
				Low	1275	20.40	19.30		30.65						

**Table 10: Furnace capacity - 5 ton**

Outdoor unit model	Furnace model	Furnace width (in.)	Indoor coil model	Stage	Rated CFM	Net cool (MBH)	Sens cool (MBH)	SEER2	EER2	Net47 (MBH)	Net17 (MBH)	HSPF2 IV	HSPF2 V	Cop47	Cop17
HMH72B601S	TM8E080C16MP11	24.5	XAHD60J	High	1550	55.50	36.80	16.00	8.00	56.00	36.00	9.00	7.30	3.10	2.38
				Intermediate	1025	32.60	17.50		15.55						
				Low	1025	19.30	16.70		33.35						
HMH72B601S	TMLE080C16MP11	24.5	XAHD60J	High	1550	55.50	36.80	16.00	8.00	56.00	36.00	9.00	7.30	3.10	2.38
				Intermediate	1025	32.60	17.50		15.55						
				Low	1025	19.30	16.70		33.35						
HMH72B601S	TL9E100C20UH11	24.5	XAHD60J	High	1575	56.00	37.40	16.00	8.00	56.00	36.00	9.00	7.20	3.12	2.40
				Intermediate	1175	33.40	19.40		15.55						
				Low	1175	20.00	18.30		32.15						
HMH72B601S	TL8E100C20UH11	24.5	XAHD60J	High	1575	56.00	37.40	16.25	8.25	56.00	35.80	9.00	7.15	3.14	2.42
				Intermediate	1100	33.00	18.40		15.65						
				Low	1100	19.70	17.50		33.60						
HMH72B601S	TL8E080C16UH11	24.5	XAHD60J	High	1525	55.50	36.80	16.00	8.00	56.00	36.00	9.00	7.10	3.08	2.38
				Intermediate	1000	32.40	17.10		15.45						
				Low	1000	19.20	16.50		33.10						
HMH72B601S	TM9Y100C20MP11	24.5	XAFD60J	High	1550	57.00	38.00	16.00	8.25	57.00	36.60	9.00	7.00	3.18	2.44
				Intermediate	1200	34.00	20.20		15.50						
				Low	1200	20.40	18.90		30.30						
HMH72B601S	TM9Y100C20MP11	24.5	XAFD60J	High	1550	57.00	38.00	16.00	8.25	57.00	36.60	9.00	7.00	3.18	2.44
				Intermediate	1200	34.00	20.20		15.50						
				Low	1200	20.40	18.90		30.30						
HMH72B601S	TM9V100C16MP12C	24.5	XAFD60J	High	1600	57.00	38.00	16.25	8.25	57.50	36.80	9.00	7.05	3.18	2.44
				Intermediate	1100	33.60	18.90		15.75						
				Low	1100	20.00	17.80		32.55						
HMH72B601S	TP9C100C16MP13C	24.5	XAFD60J	High	1600	57.00	38.00	16.25	8.25	57.50	36.80	9.00	7.05	3.18	2.44
				Intermediate	1100	33.60	18.90		15.75						
				Low	1100	20.00	17.80		32.55						
HMH72B601S	YP9C100C16MP13C	24.5	XAFD60J	High	1600	57.00	38.00	16.25	8.25	57.50	36.80	9.00	7.05	3.18	2.44
				Intermediate	1100	33.60	18.90		15.75						
				Low	1100	20.00	17.80		32.55						
HMH72B601S	TM9V100C16MP12C	24.5	XAFD60J	High	1600	57.00	38.00	16.25	8.25	57.50	36.80	9.00	7.05	3.18	2.44
				Intermediate	1100	33.60	18.90		15.75						
				Low	1100	20.00	17.80		32.55						
HMH72B601S	TP9C100C16MP13C	24.5	XAFD60J	High	1600	57.00	38.00	16.25	8.25	57.50	36.80	9.00	7.05	3.18	2.44
				Intermediate	1100	33.60	18.90		15.75						
				Low	1100	20.00	17.80		32.55						
HMH72B601S	YP9C100C16MP13C	24.5	XAFD60J	High	1600	57.00	38.00	16.25	8.25	57.50	36.80	9.00	7.05	3.18	2.44
				Intermediate	1100	33.60	18.90		15.75						
				Low	1100	20.00	17.80		32.55						
HMH72B601S	TM8Y100C20MP11	24.5	XAFD60J	High	1550	57.00	38.00	16.50	8.25	57.00	36.40	9.00	7.20	3.20	2.46
				Intermediate	1075	33.60	18.60		16.00						
				Low	1075	20.00	17.60		34.80						
HMH72B601S	TM8Y100C20MP11	24.5	XAFD60J	High	1550	57.00	38.00	16.50	8.25	57.00	36.40	9.00	7.20	3.20	2.46
				Intermediate	1075	33.60	18.60		16.00						
				Low	1075	20.00	17.60		34.80						
HMH72B601S	TM8E100C16MP11	24.5	XAFD60J	High	1575	57.00	38.00	16.25	8.25	57.50	36.80	9.00	7.20	3.18	2.44
				Intermediate	1025	33.20	17.90		15.90						
				Low	1025	19.70	17.00		34.35						
HMH72B601S	TMLE100C16MP11	24.5	XAFD60J	High	1575	57.00	38.00	16.25	8.25	57.50	36.80	9.00	7.20	3.18	2.44
				Intermediate	1025	33.20	17.90		15.90						
				Low	1025	19.70	17.00		34.35						
HMH72B601S	TM8E100C16MP11	24.5	XAFD60J	High	1575	57.00	38.00	16.25	8.25	57.50	36.80	9.00	7.20	3.18	2.44
				Intermediate	1025	33.20	17.90		15.90						
				Low	1025	19.70	17.00		34.35						
HMH72B601S	TMLE100C16MP11	24.5	XAFD60J	High	1575	57.00	38.00	16.25	8.25	57.50	36.80	9.00	7.20	3.18	2.44
				Intermediate	1025	33.20	17.90		15.90						
				Low	1025	19.70	17.00		34.35						
HMH72B601S	TM8V100C20MP12C	24.5	XAFD60J	High	1525	57.00	37.80	16.50	8.25	57.00	36.20	9.30	6.65	3.20	2.46
				Intermediate	1050	33.40	18.30		15.95						
				Low	1050	19.90	17.40		34.40						

**Table 10: Furnace capacity - 5 ton**

Outdoor unit model	Furnace model	Furnace width (in.)	Indoor coil model	Stage	Rated CFM	Net cool (MBH)	Sens cool (MBH)	SEER2	EER2	Net47 (MBH)	Net17 (MBH)	HSPF2 IV	HSPF2 V	Cop47	Cop17
HMH72B601S	TM8V100C20MP12C	24.5	XAFD60J	High	1525	57.00	37.80	16.50	8.25	57.00	36.20	9.30	6.65	3.20	2.46
				Intermediate	1050	33.40	18.30		15.95						
				Low	1050	19.90	17.40		34.40	17.80					
HMH72B601S	TM9V120D20MP12C	24.5	XAHD60J	High	1650	56.00	37.80	16.00	8.00	56.50	36.20	9.00	7.25	3.14	2.40
				Intermediate	1025	32.60	17.40		15.60						
				Low	1025	19.30	16.70		33.70	17.40					
HMH72B601S	TP9C120D20MP13C	24.5	XAHD60J	High	1650	56.00	37.80	16.00	8.00	56.50	36.20	9.00	7.25	3.14	2.40
				Intermediate	1025	32.60	17.40		15.60						
				Low	1025	19.30	16.70		33.70	17.40					
HMH72B601S	YP9C120D20MP13C	24.5	XAHD60J	High	1650	56.00	37.80	16.00	8.00	56.50	36.20	9.00	7.25	3.14	2.40
				Intermediate	1025	32.60	17.40		15.60						
				Low	1025	19.30	16.70		33.70	17.40					
HMH72B601S	TM9V120D20MP12C	24.5	XAHD60J	High	1650	56.00	37.80	16.00	8.00	56.50	36.20	9.00	7.25	3.14	2.40
				Intermediate	1025	32.60	17.40		15.60						
				Low	1025	19.30	16.70		33.70	17.40					
HMH72B601S	TP9C120D20MP13C	24.5	XAHD60J	High	1650	56.00	37.80	16.00	8.00	56.50	36.20	9.00	7.25	3.14	2.40
				Intermediate	1025	32.60	17.40		15.60						
				Low	1025	19.30	16.70		33.70	17.40					
HMH72B601S	YP9C120D20MP13C	24.5	XAHD60J	High	1650	56.00	37.80	16.00	8.00	56.50	36.20	9.00	7.25	3.14	2.40
				Intermediate	1025	32.60	17.40		15.60						
				Low	1025	19.30	16.70		33.70	17.40					
HMH72B601S	TM9E100C20MP12	24.5	XAFD60J	High	1700	57.50	39.00	16.25	8.25	58.00	37.00	9.00	7.20	3.22	2.46
				Intermediate	1250	34.40	20.80		15.85						
				Low	1250	20.60	19.30		31.95	18.40					
HMH72B601S	TM9E100C20MP12	24.5	XAFD60J	High	1700	57.50	39.00	16.25	8.25	58.00	37.00	9.00	7.20	3.22	2.46
				Intermediate	1250	34.40	20.80		15.85						
				Low	1250	20.60	19.30		31.95	18.40					
HMH72B601S	TM8Y100C16MP11	24.5	XAFD60J	High	1550	57.00	38.00	16.50	8.25	57.00	36.60	9.00	7.20	3.16	2.44
				Intermediate	1050	33.40	18.30		15.90						
				Low	1050	19.90	17.40		34.30	17.80					
HMH72B601S	TM8Y080C16MP11	24.5	XAFD60J	High	1550	57.00	38.00	16.50	8.25	57.00	36.60	9.00	7.20	3.16	2.44
				Intermediate	1050	33.40	18.30		15.90						
				Low	1050	19.90	17.40		34.30	17.80					
HMH72B601S	TM8Y100C16MP11	24.5	XAFD60J	High	1550	57.00	38.00	16.50	8.25	57.00	36.60	9.00	7.20	3.16	2.44
				Intermediate	1050	33.40	18.30		15.90						
				Low	1050	19.90	17.40		34.30	17.80					
HMH72B601S	TM8Y080C16MP11	24.5	XAFD60J	High	1550	57.00	38.00	16.50	8.25	57.00	36.60	9.00	7.20	3.16	2.44
				Intermediate	1050	33.40	18.30		15.90						
				Low	1050	19.90	17.40		34.30	17.80					
HMH72B601S	TM8E080C20MP11	24.5	XAFD60J	High	1550	57.00	38.00	16.50	8.25	57.00	36.40	9.00	7.15	3.20	2.46
				Intermediate	1275	34.60	21.40		15.80						
				Low	1275	20.80	19.70		31.55	18.50					
HMH72B601S	TMLE080C20MP11	24.5	XAFD60J	High	1550	57.00	38.00	16.50	8.25	57.00	36.40	9.00	7.15	3.20	2.46
				Intermediate	1275	34.60	21.40		15.80						
				Low	1275	20.80	19.70		31.55	18.50					
HMH72B601S	TM8E080C20MP11	24.5	XAFD60J	High	1550	57.00	38.00	16.50	8.25	57.00	36.40	9.00	7.15	3.20	2.46
				Intermediate	1275	34.60	21.40		15.80						
				Low	1275	20.80	19.70		31.55	18.50					
HMH72B601S	TMLE080C20MP11	24.5	XAFD60J	High	1550	57.00	38.00	16.50	8.25	57.00	36.40	9.00	7.15	3.20	2.46
				Intermediate	1275	34.60	21.40		15.80						
				Low	1275	20.80	19.70		31.55	18.50					
HMH72B601S	TM9E120D20MP12	24.5	XAFD60J	High	1725	57.50	39.00	16.25	8.25	58.00	37.20	9.30	6.90	3.22	2.44
				Intermediate	1275	34.60	21.40		15.75						
				Low	1275	20.80	19.70		31.25	18.50					
HMH72B601S	TM9E120D20MP12	24.5	XAFD60J	High	1725	57.50	39.00	16.25	8.25	58.00	37.20	9.30	6.90	3.22	2.44
				Intermediate	1275	34.60	21.40		15.75						
				Low	1275	20.80	19.70		31.25	18.50					
HMH72B601S	TM8E100C20MP11	24.5	XAFD60J	High	1500	57.00	37.80	16.50	8.25	56.00	36.20	9.30	6.80	3.18	2.46
				Intermediate	1275	34.60	21.40		15.80						
				Low	1275	20.80	19.70		31.35	18.50					



**Table 10: Furnace capacity - 5 ton**

Outdoor unit model	Furnace model	Furnace width (in.)	Indoor coil model	Stage	Rated CFM	Net cool (MBH)	Sens cool (MBH)	SEER2	EER2	Net47 (MBH)	Net17 (MBH)	HSPF2 IV	HSPF2 V	Cop47	Cop17
HMH72B601S	TMLE100C20MP11	24.5	XAFD60J	High	1500	57.00	37.80	16.50	8.25	56.00	36.20	9.30	6.80	3.18	2.46
				Intermediate	1275	34.60	21.40		15.80						
				Low	1275	20.80	19.70		31.35						
HMH72B601S	TM8E100C20MP11	24.5	XAFD60J	High	1500	57.00	37.80	16.50	8.25	56.00	36.20	9.30	6.80	3.18	2.46
				Intermediate	1275	34.60	21.40		15.80						
				Low	1275	20.80	19.70		31.35						
HMH72B601S	TMLE100C20MP11	24.5	XAFD60J	High	1500	57.00	37.80	16.50	8.25	56.00	36.20	9.30	6.80	3.18	2.46
				Intermediate	1275	34.60	21.40		15.80						
				Low	1275	20.80	19.70		31.35						
HMH72B601S	TM9V120D20MP12C	24.5	XAFD60J	High	1800	58.00	40.00	16.50	8.25	58.50	37.40	9.00	7.15	3.24	2.46
				Intermediate	1125	33.80	19.20		16.00						
				Low	1125	20.20	18.10		34.00						
HMH72B601S	TP9C120D20MP13C	24.5	XAFD60J	High	1800	58.00	40.00	16.50	8.25	58.50	37.40	9.00	7.15	3.24	2.46
				Intermediate	1125	33.80	19.20		16.00						
				Low	1125	20.20	18.10		34.00						
HMH72B601S	YP9C120D20MP13C	24.5	XAFD60J	High	1800	58.00	40.00	16.50	8.25	58.50	37.40	9.00	7.15	3.24	2.46
				Intermediate	1125	33.80	19.20		16.00						
				Low	1125	20.20	18.10		34.00						
HMH72B601S	TM9V120D20MP12C	24.5	XAFD60J	High	1800	58.00	40.00	16.50	8.25	58.50	37.40	9.00	7.15	3.24	2.46
				Intermediate	1125	33.80	19.20		16.00						
				Low	1125	20.20	18.10		34.00						
HMH72B601S	TP9C120D20MP13C	24.5	XAFD60J	High	1800	58.00	40.00	16.50	8.25	58.50	37.40	9.00	7.15	3.24	2.46
				Intermediate	1125	33.80	19.20		16.00						
				Low	1125	20.20	18.10		34.00						
HMH72B601S	YP9C120D20MP13C	24.5	XAFD60J	High	1800	58.00	40.00	16.50	8.25	58.50	37.40	9.00	7.15	3.24	2.46
				Intermediate	1125	33.80	19.20		16.00						
				Low	1125	20.20	18.10		34.00						
HMH72B601S	TM9E080C20MP12	24.5	XAFD60J	High	1750	58.00	40.00	16.25	8.25	58.00	37.20	9.00	7.20	3.24	2.46
				Intermediate	1275	34.60	21.40		15.90						
				Low	1275	20.80	19.60		31.95						
HMH72B601S	TM9E080C20MP12	24.5	XAFD60J	High	1750	58.00	40.00	16.25	8.25	58.00	37.20	9.00	7.20	3.24	2.46
				Intermediate	1275	34.60	21.40		15.90						
				Low	1275	20.80	19.60		31.95						
HMH72B601S	TM8Y080C16MP11	24.5	XAHD60J	High	1500	55.50	36.60	16.00	8.00	56.00	35.80	9.00	7.10	3.08	2.38
				Intermediate	1025	32.60	17.50		15.50						
				Low	1025	19.30	16.70		33.20						
HMH72B601S	TM8Y080C16MP11	24.5	XAHD60J	High	1500	55.50	36.60	16.00	8.00	56.00	35.80	9.00	7.10	3.08	2.38
				Intermediate	1025	32.60	17.50		15.50						
				Low	1025	19.30	16.70		33.20						
HMH72B601S	TL8E100C20UH11	24.5	XAFD60J	High	1600	57.50	38.50	16.50	8.25	57.00	36.60	9.00	7.05	3.20	2.46
				Intermediate	1100	33.80	19.00		16.00						
				Low	1100	20.20	17.90		34.40						
HMH72B601S	TL8E100C20UH11	24.5	XAFD60J	High	1600	57.50	38.50	16.50	8.25	57.00	36.60	9.00	7.05	3.20	2.46
				Intermediate	1100	33.80	19.00		16.00						
				Low	1100	20.20	17.90		34.40						
HMH72B601S	TM8Y120C20MP11	24.5	XAFD60J	High	1550	57.00	38.00	16.50	8.25	57.00	36.40	9.30	6.70	3.20	2.46
				Intermediate	1075	33.60	18.60		16.00						
				Low	1075	20.00	17.60		34.80						
HMH72B601S	TM8Y120C20MP11	24.5	XAFD60J	High	1550	57.00	38.00	16.50	8.25	57.00	36.40	9.30	6.70	3.20	2.46
				Intermediate	1075	33.60	18.60		16.00						
				Low	1075	20.00	17.60		34.80						
HMH72B601S	TM8E080C16MP11	24.5	XAFD60J	High	1575	57.00	38.00	16.25	8.25	57.50	36.80	9.30	6.75	3.18	2.44
				Intermediate	1025	33.20	17.90		15.85						
				Low	1025	19.70	17.00		34.15						
HMH72B601S	TMLE080C16MP11	24.5	XAFD60J	High	1575	57.00	38.00	16.25	8.25	57.50	36.80	9.30	6.75	3.18	2.44
				Intermediate	1025	33.20	17.90		15.85						
				Low	1025	19.70	17.00		34.15						
HMH72B601S	TM8E080C16MP11	24.5	XAFD60J	High	1575	57.00	38.00	16.25	8.25	57.50	36.80	9.30	6.75	3.18	2.44
				Intermediate	1025	33.20	17.90		15.85						
				Low	1025	19.70	17.00		34.15						

**Table 10: Furnace capacity - 5 ton**

Outdoor unit model	Furnace model	Furnace width (in.)	Indoor coil model	Stage	Rated CFM	Net cool (MBH)	Sens cool (MBH)	SEER2	EER2	Net47 (MBH)	Net17 (MBH)	HSPF2 IV	HSPF2 V	Cop47	Cop17
HMH72B601S	TMLE080C16MP11	24.5	XAFD60J	High	1575	57.00	38.00	16.25	8.25	57.50	36.80	9.30	6.75	3.18	2.44
				Intermediate	1025	33.20	17.90		15.85						
				Low	1025	19.70	17.00		34.15	17.70					
HMH72B601S	TM9Y120D20MP11	24.5	XAFD60J	High	1575	57.00	38.00	16.50	8.25	57.00	36.60	9.00	7.20	3.20	2.46
				Intermediate	1275	34.60	21.40		15.80						
				Low	1275	20.80	19.70		31.45	18.50					
HMH72B601S	TM9Y120D20MP11	24.5	XAFD60J	High	1575	57.00	38.00	16.50	8.25	57.00	36.60	9.00	7.20	3.20	2.46
				Intermediate	1275	34.60	21.40		15.80						
				Low	1275	20.80	19.70		31.45	18.50					
HMH72B601S	TM9V100C16MP12C	24.5	XAHD60J	High	1625	56.00	37.60	15.75	8.00	56.50	36.20	9.00	7.10	3.12	2.40
				Intermediate	1100	32.80	18.40		15.35						
				Low	1100	19.60	17.50		31.60	17.70					
HMH72B601S	TP9C100C16MP13C	24.5	XAHD60J	High	1625	56.00	37.60	15.75	8.00	56.50	36.20	9.00	7.10	3.12	2.40
				Intermediate	1100	32.80	18.40		15.35						
				Low	1100	19.60	17.50		31.60	17.70					
HMH72B601S	YP9C100C16MP13C	24.5	XAHD60J	High	1625	56.00	37.60	15.75	8.00	56.50	36.20	9.00	7.10	3.12	2.40
				Intermediate	1100	32.80	18.40		15.35						
				Low	1100	19.60	17.50		31.60	17.70					
HMH72B601S	TM9V100C16MP12C	24.5	XAHD60J	High	1625	56.00	37.60	15.75	8.00	56.50	36.20	9.00	7.10	3.12	2.40
				Intermediate	1100	32.80	18.40		15.35						
				Low	1100	19.60	17.50		31.60	17.70					
HMH72B601S	TP9C100C16MP13C	24.5	XAHD60J	High	1625	56.00	37.60	15.75	8.00	56.50	36.20	9.00	7.10	3.12	2.40
				Intermediate	1100	32.80	18.40		15.35						
				Low	1100	19.60	17.50		31.60	17.70					
HMH72B601S	YP9C100C16MP13C	24.5	XAHD60J	High	1625	56.00	37.60	15.75	8.00	56.50	36.20	9.00	7.10	3.12	2.40
				Intermediate	1100	32.80	18.40		15.35						
				Low	1100	19.60	17.50		31.60	17.70					
HMH72B601S	TM8Y100C20MP11	24.5	XAHD60J	High	1525	56.00	37.20	16.25	8.25	55.50	35.60	9.00	7.25	3.12	2.40
				Intermediate	1050	32.80	17.80		15.60						
				Low	1050	19.50	17.00		33.70	17.40					
HMH72B601S	TM8Y100C20MP11	24.5	XAHD60J	High	1525	56.00	37.20	16.25	8.25	55.50	35.60	9.00	7.25	3.12	2.40
				Intermediate	1050	32.80	17.80		15.60						
				Low	1050	19.50	17.00		33.70	17.40					
HMH72B601S	TM8E120C16MP11	24.5	XAFD60J	High	1575	57.00	38.00	16.25	8.25	57.50	36.60	9.00	7.20	3.18	2.44
				Intermediate	1025	33.20	17.90		15.90						
				Low	1025	19.70	17.00		34.35	17.70					
HMH72B601S	TMLE120C16MP11	24.5	XAFD60J	High	1575	57.00	38.00	16.25	8.25	57.50	36.60	9.00	7.20	3.18	2.44
				Intermediate	1025	33.20	17.90		15.90						
				Low	1025	19.70	17.00		34.35	17.70					
HMH72B601S	TM8E120C16MP11	24.5	XAFD60J	High	1575	57.00	38.00	16.25	8.25	57.50	36.60	9.00	7.20	3.18	2.44
				Intermediate	1025	33.20	17.90		15.90						
				Low	1025	19.70	17.00		34.35	17.70					
HMH72B601S	TMLE120C16MP11	24.5	XAFD60J	High	1575	57.00	38.00	16.25	8.25	57.50	36.60	9.00	7.20	3.18	2.44
				Intermediate	1025	33.20	17.90		15.90						
				Low	1025	19.70	17.00		34.35	17.70					
HMH72B601S	TM9V100C20MP12C	24.5	XAFD60J	High	1600	57.00	38.00	16.25	8.25	57.50	36.80	9.30	6.65	3.18	2.44
				Intermediate	975	33.00	17.30		15.75						
				Low	975	19.50	16.60		33.85	17.60					
HMH72B601S	TP9C100C20MP13C	24.5	XAFD60J	High	1600	57.00	38.00	16.25	8.25	57.50	36.80	9.30	6.65	3.18	2.44
				Intermediate	975	33.00	17.30		15.75						
				Low	975	19.50	16.60		33.85	17.60					
HMH72B601S	YP9C100C20MP13C	24.5	XAFD60J	High	1600	57.00	38.00	16.25	8.25	57.50	36.80	9.30	6.65	3.18	2.44
				Intermediate	975	33.00	17.30		15.75						
				Low	975	19.50	16.60		33.85	17.60					
HMH72B601S	TM9V100C20MP12C	24.5	XAFD60J	High	1600	57.00	38.00	16.25	8.25	57.50	36.80	9.30	6.65	3.18	2.44
				Intermediate	975	33.00	17.30		15.75						
				Low	975	19.50	16.60		33.85	17.60					
HMH72B601S	TP9C100C20MP13C	24.5	XAFD60J	High	1600	57.00	38.00	16.25	8.25	57.50	36.80	9.30	6.65	3.18	2.44
				Intermediate	975	33.00	17.30		15.75						
				Low	975	19.50	16.60		33.85	17.60					

**Table 10: Furnace capacity - 5 ton**

Outdoor unit model	Furnace model	Furnace width (in.)	Indoor coil model	Stage	Rated CFM	Net cool (MBH)	Sens cool (MBH)	SEER2	EER2	Net47 (MBH)	Net17 (MBH)	HSPF2 IV	HSPF2 V	Cop47	Cop17
HMH72B601S	YP9C100C20MP13C	24.5	XAFD60J	High	1600	57.00	38.00	16.25	8.25	57.50	36.80	9.30	6.65	3.18	2.44
				Intermediate	975	33.00	17.30		15.75						
				Low	975	19.50	16.60		33.85						
HMH72B601S	TM8V120C20MP12C	24.5	XAFD60J	High	1775	58.00	40.00	16.50	8.25	58.50	37.40	9.30	6.75	3.24	2.46
				Intermediate	1225	34.40	20.60		15.95						
				Low	1225	20.60	19.10		32.75						
HMH72B601S	TMLV120C20MP12C	24.5	XAFD60J	High	1775	58.00	40.00	16.50	8.25	58.50	37.40	9.30	6.75	3.24	2.46
				Intermediate	1225	34.40	20.60		15.95						
				Low	1225	20.60	19.10		32.75						
HMH72B601S	TPLC100C20MP13C	24.5	XAFD60J	High	1775	58.00	40.00	16.50	8.25	58.50	37.40	9.30	6.75	3.24	2.46
				Intermediate	1225	34.40	20.60		15.95						
				Low	1225	20.60	19.10		32.75						
HMH72B601S	TPLC120C20MP13C	24.5	XAFD60J	High	1775	58.00	40.00	16.50	8.25	58.50	37.40	9.30	6.75	3.24	2.46
				Intermediate	1225	34.40	20.60		15.95						
				Low	1225	20.60	19.10		32.75						
HMH72B601S	YPLC100C20MP13C	24.5	XAFD60J	High	1775	58.00	40.00	16.50	8.25	58.50	37.40	9.30	6.75	3.24	2.46
				Intermediate	1225	34.40	20.60		15.95						
				Low	1225	20.60	19.10		32.75						
HMH72B601S	YPLC120C20MP13C	24.5	XAFD60J	High	1775	58.00	40.00	16.50	8.25	58.50	37.40	9.30	6.75	3.24	2.46
				Intermediate	1225	34.40	20.60		15.95						
				Low	1225	20.60	19.10		32.75						
HMH72B601S	TM8V120C20MP12C	24.5	XAFD60J	High	1775	58.00	40.00	16.50	8.25	58.50	37.40	9.30	6.75	3.24	2.46
				Intermediate	1225	34.40	20.60		15.95						
				Low	1225	20.60	19.10		32.75						
HMH72B601S	TMLV120C20MP12C	24.5	XAFD60J	High	1775	58.00	40.00	16.50	8.25	58.50	37.40	9.30	6.75	3.24	2.46
				Intermediate	1225	34.40	20.60		15.95						
				Low	1225	20.60	19.10		32.75						
HMH72B601S	TPLC100C20MP13C	24.5	XAFD60J	High	1775	58.00	40.00	16.50	8.25	58.50	37.40	9.30	6.75	3.24	2.46
				Intermediate	1225	34.40	20.60		15.95						
				Low	1225	20.60	19.10		32.75						
HMH72B601S	TPLC120C20MP13C	24.5	XAFD60J	High	1775	58.00	40.00	16.50	8.25	58.50	37.40	9.30	6.75	3.24	2.46
				Intermediate	1225	34.40	20.60		15.95						
				Low	1225	20.60	19.10		32.75						
HMH72B601S	YPLC100C20MP13C	24.5	XAFD60J	High	1775	58.00	40.00	16.50	8.25	58.50	37.40	9.30	6.75	3.24	2.46
				Intermediate	1225	34.40	20.60		15.95						
				Low	1225	20.60	19.10		32.75						
HMH72B601S	YPLC120C20MP13C	24.5	XAFD60J	High	1775	58.00	40.00	16.50	8.25	58.50	37.40	9.30	6.75	3.24	2.46
				Intermediate	1225	34.40	20.60		15.95						
				Low	1225	20.60	19.10		32.75						
HMH72B601S	TL8E080C16UH11	24.5	XAFD60J	High	1550	57.00	38.00	16.25	8.25	57.00	36.60	9.30	6.65	3.16	2.44
				Intermediate	1000	33.20	17.70		15.80						
				Low	1000	19.60	16.80		33.85						
HMH72B601S	TL8E080C16UH11	24.5	XAFD60J	High	1550	57.00	38.00	16.25	8.25	57.00	36.60	9.30	6.65	3.16	2.44
				Intermediate	1000	33.20	17.70		15.80						
				Low	1000	19.60	16.80		33.85						
HMH72B601S	TM9Y120D20MP11	24.5	XAHD60J	High	1550	56.00	37.40	16.25	8.00	56.00	35.80	9.00	7.25	3.12	2.40
				Intermediate	1025	32.60	17.40		15.65						
				Low	1025	19.40	16.70		34.20						
HMH72B601S	TM9Y120D20MP11	24.5	XAHD60J	High	1550	56.00	37.40	16.25	8.00	56.00	35.80	9.00	7.25	3.12	2.40
				Intermediate	1025	32.60	17.40		15.65						
				Low	1025	19.40	16.70		34.20						
HMH72B601S	TM9V100C20MP12C	24.5	XAHD60J	High	1600	56.00	37.60	15.75	8.00	56.50	36.20	9.00	7.15	3.10	2.40
				Intermediate	975	32.20	16.70		15.40						
				Low	975	19.10	16.20		33.10						
HMH72B601S	TP9C100C20MP13C	24.5	XAHD60J	High	1600	56.00	37.60	15.75	8.00	56.50	36.20	9.00	7.15	3.10	2.40
				Intermediate	975	32.20	16.70		15.40						
				Low	975	19.10	16.20		33.10						
HMH72B601S	YP9C100C20MP13C	24.5	XAHD60J	High	1600	56.00	37.60	15.75	8.00	56.50	36.20	9.00	7.15	3.10	2.40
				Intermediate	975	32.20	16.70		15.40						
				Low	975	19.10	16.20		33.10						

**Table 10: Furnace capacity - 5 ton**

Outdoor unit model	Furnace model	Furnace width (in.)	Indoor coil model	Stage	Rated CFM	Net cool (MBH)	Sens cool (MBH)	SEER2	EER2	Net47 (MBH)	Net17 (MBH)	HSPF2 IV	HSPF2 V	Cop47	Cop17
HMH72B601S	TM9V100C20MP12C	24.5	XAHD60J	High	1600	56.00	37.60	15.75	8.00	56.50	36.20	9.00	7.15	3.10	2.40
				Intermediate	975	32.20	16.70		15.40						
				Low	975	19.10	16.20		33.10	17.30					
HMH72B601S	TP9C100C20MP13C	24.5	XAHD60J	High	1600	56.00	37.60	15.75	8.00	56.50	36.20	9.00	7.15	3.10	2.40
				Intermediate	975	32.20	16.70		15.40						
				Low	975	19.10	16.20		33.10	17.30					
HMH72B601S	YP9C100C20MP13C	24.5	XAHD60J	High	1600	56.00	37.60	15.75	8.00	56.50	36.20	9.00	7.15	3.10	2.40
				Intermediate	975	32.20	16.70		15.40						
				Low	975	19.10	16.20		33.10	17.30					
HMH72B601S	TM8Y120C20MP11	24.5	XAHD60J	High	1525	56.00	37.20	16.25	8.25	55.50	35.60	9.00	7.25	3.12	2.40
				Intermediate	1050	32.80	17.80		15.60						
				Low	1050	19.50	17.00		33.70	17.40					
HMH72B601S	TM8Y120C20MP11	24.5	XAHD60J	High	1525	56.00	37.20	16.25	8.25	55.50	35.60	9.00	7.25	3.12	2.40
				Intermediate	1050	32.80	17.80		15.60						
				Low	1050	19.50	17.00		33.70	17.40					
HMH72B601S	TL9E100C20UH11	24.5	XAFD60J	High	1600	57.50	38.50	16.50	8.25	57.50	36.60	9.30	6.65	3.20	2.46
				Intermediate	1175	34.00	19.90		15.90						
				Low	1175	20.40	18.60		33.00	18.10					
HMH72B601S	TL9E100C20UH11	24.5	XAFD60J	High	1600	57.50	38.50	16.50	8.25	57.50	36.60	9.30	6.65	3.20	2.46
				Intermediate	1175	34.00	19.90		15.90						
				Low	1175	20.40	18.60		33.00	18.10					
HMH72B601S	TM9E100C16MP12	24.5	XAFD60J	High	1500	57.50	38.00	16.50	8.00	57.50	37.00	7.80	6.40	3.10	2.38
				Intermediate	825	32.80	15.80		15.90						
				Low	825	18.10	14.50		33.70	4.30					
HMH72B601S	TM9E100C16MP12	24.5	XAFD60J	High	1500	57.50	38.00	16.50	8.00	57.50	37.00	7.80	6.40	3.10	2.38
				Intermediate	825	32.80	15.80		15.90						
				Low	825	18.10	14.50		33.70	4.30					

## Applications and accessories

**Table 11: Minimum and maximum operating limit conditions**

Ambient temperature limits	Outdoor coil °F (°C)	
	DB cool	DB heat
Minimum	35 (2)	-5 (-21)
Maximum	122 (50)	75 (24)

① **Note:** The maximum lineset equivalent length is 200 ft.

The following accessories are compatible with H Series heat pumps.

### H Series - Horizontal Discharge Modulating Heat Pump Compatibility Kits:

- The **S1-HMH7AK001** kit is required for standard ECM gas furnaces and air handling units.
- The **S1-HMH7AK002** kit is required for premium variable speed gas furnaces and air handling units with the exception of JHVT and JMVT models.
- The **S1-BFD083S** liquid line filter-drier is required if an S1-HMH7AK00\* kit is not used.

**TXV Kits (S1-1TVM\*):** Thermal expansion valves precisely meter refrigerant for optimum performance over a wide range of conditions. See [Table 4](#) for the TXV part number for each model.

## Sound power rating cooling

**Table 12: Sound power data - stage 2 - cooling - octave band sound power level (db re. 1-pW)**

Outdoor unit model	Power level 63 (Hz)	Power level 125 (Hz)	Power level 250 (Hz)	Power level 500 (Hz)	Power level 1000 (Hz)	Power level 2000 (Hz)	Power level 4000 (Hz)	Power level 8000 (Hz)	dBA	SQI
HMH72B241S	70	70	63	62	61	55	50	43	65	19.1
HMH72B341S	72	71	67	64	64	58	56	50	68	19.1
HMH72B361S	72	71	67	64	64	58	56	50	68	19.1
HMH72B481S	73	70	67	64	65	60	57	48	69	19.2
HMH72B601S	78	79	71	66	66	62	64	52	73	19.0

## Sound power rating heating

**Table 13: Sound power data - stage 2 - heating - octave band sound power level (db re. 1-pW)**

Outdoor unit model	Power level 63 (Hz)	Power level 125 (Hz)	Power level 250 (Hz)	Power level 500 (Hz)	Power level 1000 (Hz)	Power level 2000 (Hz)	Power level 4000 (Hz)	Power level 8000 (Hz)	dBA	SQI
HMH72B241S	70	72	64	62	61	55	50	42	65	19.1
HMH72B341S	68	71	68	65	66	62	60	56	70	19.1
HMH72B361S	68	71	68	65	66	62	60	56	70	19.1
HMH72B481S	74	72	70	67	67	63	59	53	71	19.2
HMH72B601S	77	77	73	70	68	63	61	52	73	19.0

## Mechanical specifications

### Manufacture and certifications

- Units shall be assembled at a facility with an ISO 9001:2015-certified Quality Management System.

- Units shall be certified by ETL to UL 1995 and performance certified to ANSI/AHRI Standard 210/240.
- Units shall be sound tested according to ANSI/AHRI Standard 270.
- Certified matched system ratings will be available for download from the AHRI online directory at [www.ahrirectory.org](http://www.ahrirectory.org).

#### **Unit application**

- Units shall be approved for cooling operation between 35°F and 122°F without modification.
- Units shall be approved for linesets up to an equivalent length of 164 ft for HMM72B241S and 246 ft for HMM72B341S, HMM72B361S, HMM72B481S, and HMM72B601S without modification.
- Units shall be approved for installation within 8 in. (long side) and 6 in. (short side) of a flat vertical wall without modification, according to the instructions in the technical literature.
- Units shall be designed to 73 dBA or less to minimize sound pollution.

#### **Unit access**

- Units shall be factory leak checked, run tested, and shipped with a holding charge of R-410A refrigerant.
- Unit cabinet components shall be G90 equivalent steel finished with powder-coat paint rated at a minimum of 1,000 h under ASTM B117 testing.
- Units shall be constructed with a high-pressure switch for system protection.
- Units shall be constructed with all badging and labels applied at the factory.

#### **Unit components**

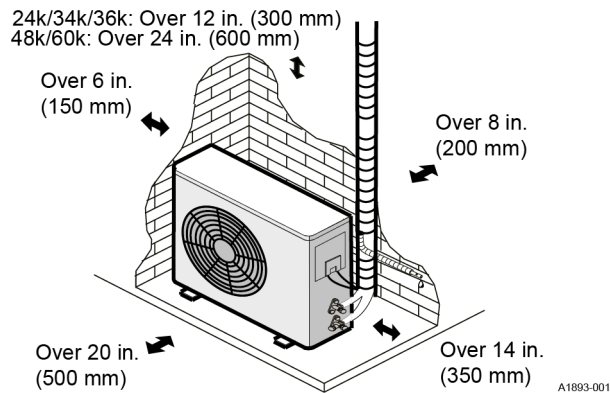
- Compressor shall be hermetic with internal electrical overload protection and internal overpressure protection.
- Compressor shall be mounted on neoprene vibration isolators that do not require the removal of transportation clips or brackets.
- Outdoor fan shall be direct drive with horizontal air discharge for low sound levels.
- Outdoor fan blades shall be swept-wing to minimize sound (applies to select models).
- Outdoor fan motor shall be totally enclosed with permanently lubricated ball bearings motors approved for vertical shaft applications.
- Outdoor fan motor shall be ECM construction with permanently lubricated ball bearing motors approved for vertical shaft applications.

#### **Unit warranties**

- Unit manufacturer shall provide a 5-year compressor warranty without a requirement for unit registration.

## Typical installation

**Figure 3: Minimum clearances when selecting a location**



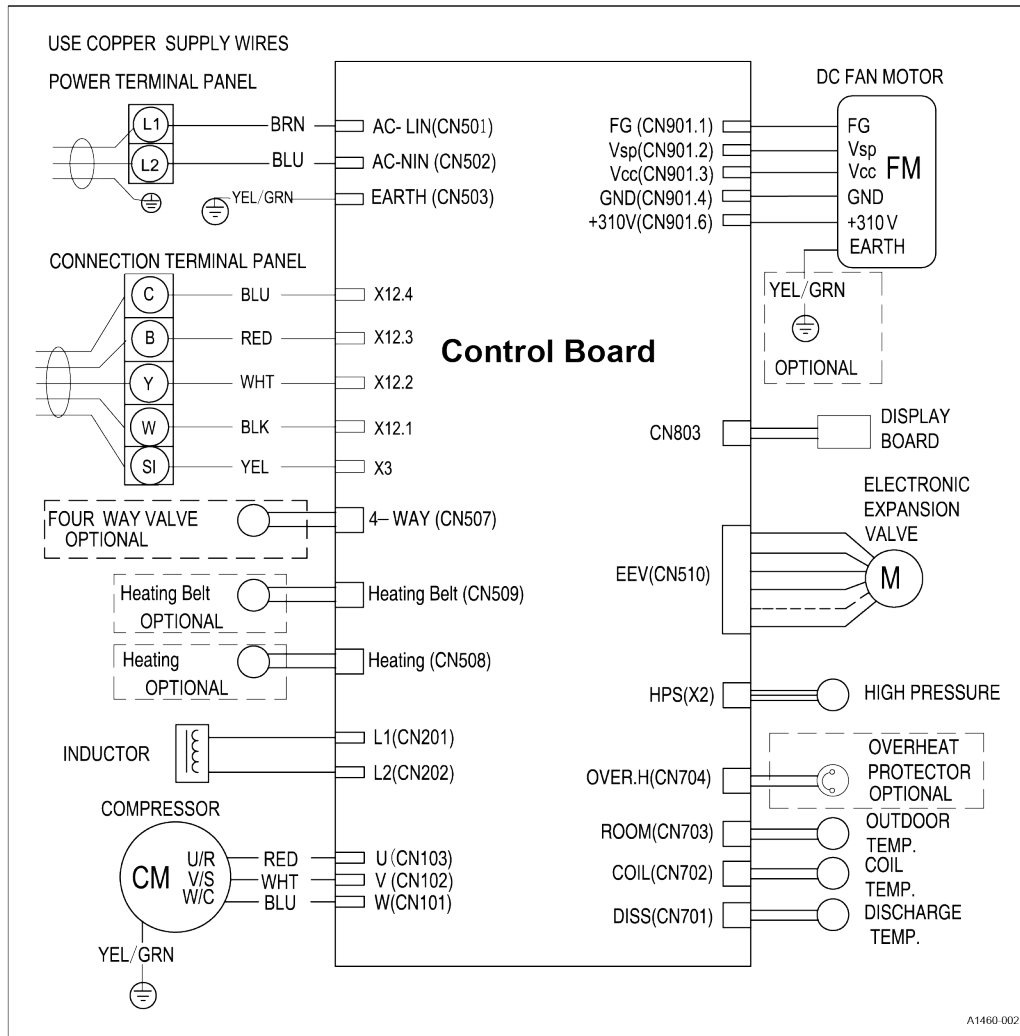
### CAUTION

#### **Caution**

Take care to prevent ice from damaging the unit. Damage may occur from ice falling onto unit from a sloped roof or from a vertical drip line due to a partial overhang.

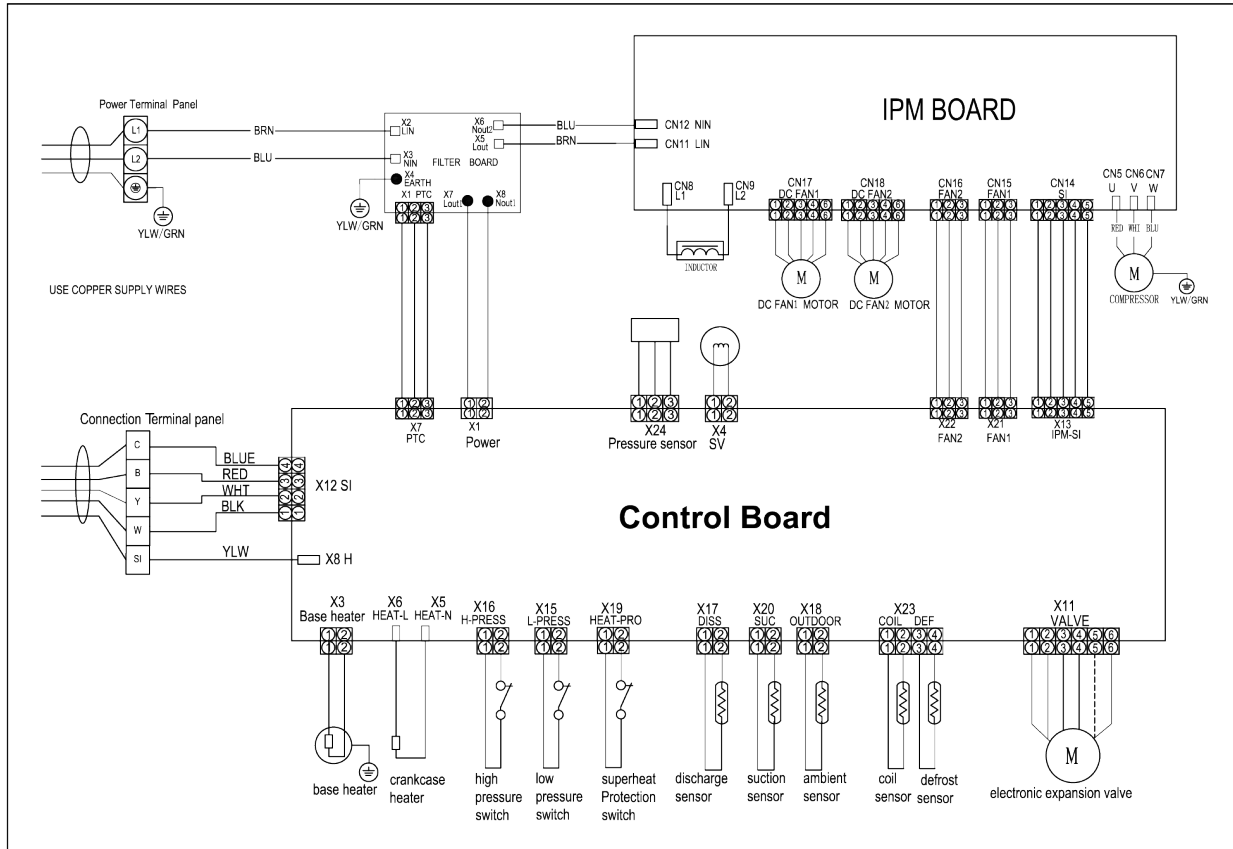
# Typical field wiring

**Figure 4: Typical field wiring - HMM72B241S, HMM72B341S, and HMM72B361S**





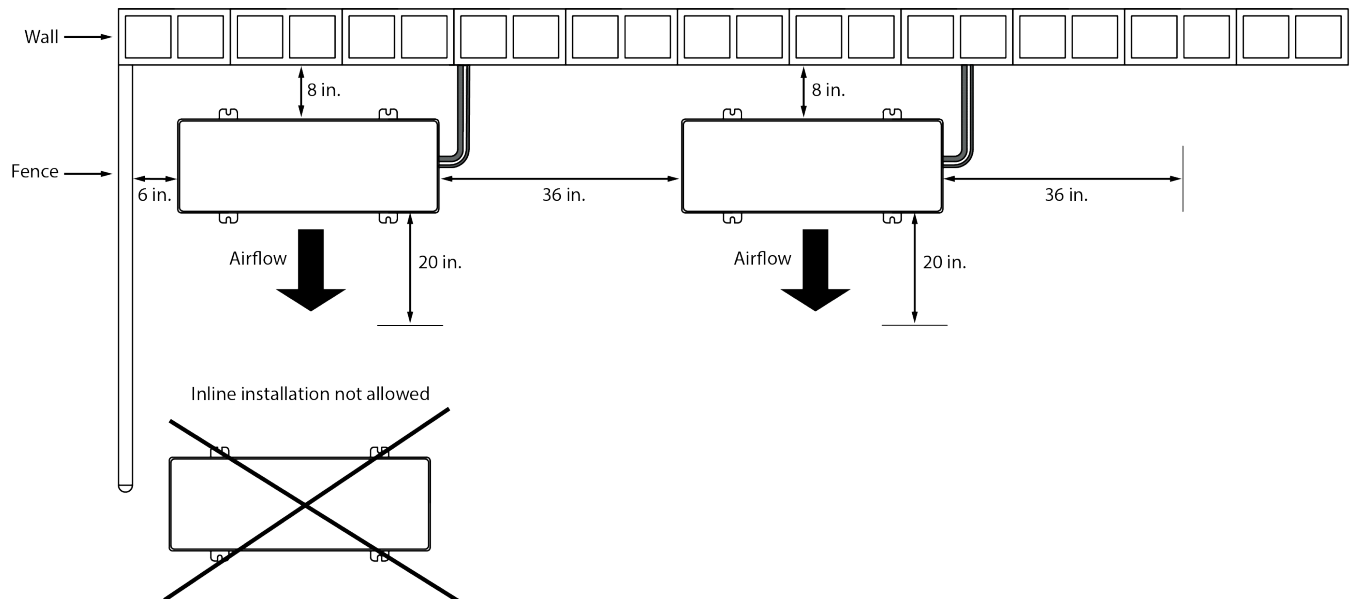
**Figure 5: Typical field wiring - HMH72B481S and HMH72B601S**



A1461-001

## Alternative installation clearances

**Figure 6: Alternative installation clearances**



A1499-001

## Performance data - 2 ton

### Cooling performance data - 2 ton

**Table 14: Cooling performance data - 2 ton**

Air temperature entering outdoor unit (°F)	Indoor CFM	600					800					1000				
	Indoor dry bulb (°F)	80	80	75	80	80	80	80	75	80	80	80	80	75	80	80
	Indoor wet bulb (°F)	57	62	62	67	72	57	62	62	67	72	57	62	62	67	72
55	Total capacity	22.4	23.8	24.3	26.0	27.2	23.8	25.4	25.9	27.8	29.7	26.5	27.1	27.4	29.5	32.1
55	Sensible capacity	21.9	19.4	16.5	16.6	12.5	23.8	22.1	18.6	18.1	14.0	26.0	24.8	20.7	19.7	15.4
55	kW	1.38	1.43	1.42	1.41	1.39	1.49	1.49	1.49	1.47	1.46	1.74	1.55	1.56	1.54	1.53
65	Total capacity	21.5	22.7	23.1	24.8	25.9	23.0	24.3	24.7	26.5	28.2	25.3	25.8	26.2	28.1	30.5
65	Sensible capacity	21.1	19.1	16.1	16.1	12.1	23.0	21.5	18.2	17.7	13.4	24.8	23.9	20.2	19.4	14.7
65	kW	1.60	1.64	1.64	1.64	1.63	1.71	1.71	1.71	1.71	1.71	1.93	1.77	1.79	1.78	1.78
75	Total capacity	20.7	21.7	21.8	23.6	24.5	22.0	23.1	23.5	25.1	26.6	24.0	24.6	25.1	26.6	28.8
75	Sensible capacity	20.2	18.8	15.7	15.5	11.8	22.0	20.9	17.7	17.3	12.8	23.5	23.0	19.7	19.0	13.9
75	kW	1.82	1.86	1.85	1.87	1.87	1.93	1.93	1.93	1.95	1.95	2.12	2.00	2.01	2.02	2.02
85	Total capacity	19.8	20.6	20.6	22.4	23.1	21.1	22.0	22.3	23.8	25.1	22.7	23.3	24.0	25.2	27.2
85	Sensible capacity	19.3	18.4	15.2	15.0	11.4	21.1	20.2	17.2	16.8	12.2	22.3	22.1	19.2	18.6	13.1
85	kW	2.03	2.07	2.07	2.10	2.11	2.15	2.15	2.16	2.18	2.19	2.31	2.23	2.24	2.26	2.27
95	Total capacity	18.9	19.6	19.3	21.2	21.7	20.2	20.8	21.0	22.5	23.6	21.5	22.0	22.8	23.7	25.5
95	Sensible capacity	18.4	18.0	14.7	14.4	10.9	20.2	19.6	16.6	16.2	11.6	21.0	21.1	18.6	18.0	12.3
95	kW	2.25	2.29	2.29	2.34	2.35	2.38	2.38	2.38	2.42	2.43	2.50	2.46	2.47	2.50	2.52
105	Total capacity	18.0	18.5	18.0	20.0	20.3	19.2	19.7	19.8	21.1	22.1	20.2	20.8	21.7	22.3	23.9
105	Sensible capacity	17.6	17.5	14.1	13.8	10.5	19.2	18.8	16.0	15.6	11.0	19.8	20.1	18.0	17.5	11.5
105	kW	2.47	2.50	2.51	2.57	2.59	2.60	2.60	2.60	2.65	2.68	2.69	2.69	2.69	2.74	2.76
115	Total capacity	17.2	17.5	16.8	18.8	18.9	18.2	18.5	18.6	19.8	20.5	19.0	19.5	20.5	20.8	22.2
115	Sensible capacity	16.7	17.0	13.5	13.2	10.0	18.2	18.1	15.4	15.0	10.4	18.5	19.1	17.4	16.8	10.7
115	kW	2.69	2.72	2.72	2.80	2.83	2.82	2.82	2.82	2.89	2.92	2.89	2.92	2.92	2.97	3.01

## Multipliers for determining the performance with other indoor sections

### Cool multiplier airhandler - 2 ton

**Table 15: Cool multiplier air handler - 2 ton**

Air handler model	Indoor coil model	Total capacity	Sensible capacity	kW
AE36B	—	0.94	0.98	1.07
AE36B	—	0.94	0.98	1.07
AE36BX21	—	0.94	0.98	1.07
AE36BX21	—	0.94	0.98	1.07
AE36C	—	0.93	0.55	1.05
AE36C	—	0.93	0.55	1.05
AE36CX21	—	0.93	0.55	1.05
AE36CX21	—	0.93	0.55	1.05
AVC36BX21	—	0.94	0.98	1.07
AVC36BX21	—	0.94	0.98	1.07
AVC36CX21	—	0.94	0.98	1.06
AVC36CX21	—	0.94	0.98	1.06
JHETB30DBAS2N1	—	0.95	0.95	1.08
JHETB30DXXS2N1	—	0.95	0.95	1.08
JHETB36DBAS2N1	—	0.95	0.94	1.06
JHETB36DXXS2N1	—	0.95	0.95	1.06
JHETC36DBAS2N1	—	0.96	0.95	1.06
JHETC36DXXS2N1	—	0.95	0.95	1.05
JHVTB36DBAC2N1	—	0.96	0.95	1.05
JHVTB36DXXC2N1	—	0.96	0.95	1.05
JHVTC36DBAC2N1	—	0.96	0.96	1.05

**Table 15: Cool multiplier air handler - 2 ton**

Air handler model	Indoor coil model	Total capacity	Sensible capacity	kW
JHVTC36DXC2N1	—	0.95	0.95	1.04
JMET08BS2N1A	XAFB36D	0.95	0.95	1.05
JMET08BS2N1A	XAFB36D	0.95	0.95	1.05
JMET08BS2N1A	XAHB36D	0.93	0.93	1.06
JMET08BS2N1A	XAHB36D	0.93	0.93	1.06
JMET08BS2N1A	XAUB36D	0.95	0.95	1.05
JMET12BS2N1A	XAFB36D	0.95	0.95	1.06
JMET12BS2N1A	XAFB36D	0.95	0.95	1.06
JMET12BS2N1A	XAHB36D	0.93	0.93	1.06
JMET12BS2N1A	XAHB36D	0.93	0.93	1.06
JMET12BS2N1A	XAUB36D	0.95	0.95	1.06
JMET12CS2N1A	XAFC36D	0.97	0.96	1.11
JMET12CS2N1A	XAFC36D	0.97	0.96	1.11
JMET12CS2N1A	XAHC36D	0.95	0.94	1.12
JMET12CS2N1A	XAHC36D	0.95	0.94	1.12
JMVT12BC2N1A	XAFB36D	0.95	0.95	1.05
JMVT12BC2N1A	XAFB36D	0.95	0.95	1.05
JMVT12BC2N1A	XAHB36D	0.94	0.93	1.07
JMVT12BC2N1A	XAHB36D	0.94	0.93	1.07
JMVT12BC2N1A	XAUB36D	0.95	0.95	1.05
ME08BN21	CF36B	0.95	0.98	1.07
ME08BN21	CF36B	0.95	0.98	1.07
ME08BN21	CM36B	0.95	0.98	1.07
ME08BN21	CM36B	0.95	0.98	1.07
ME08BN21	XAFB36D	0.95	0.95	1.06
ME08BN21	XAFB36D	0.95	0.95	1.06
ME08BN21	XAHB36D	0.93	0.92	1.07
ME08BN21	XAHB36D	0.93	0.92	1.07
ME08BN21	XAUB36D	0.95	0.95	1.06
ME12CN21	CF36C	0.95	0.99	1.06
ME12CN21	CM36C	0.95	0.99	1.06
ME12CN21	XAFC36D	0.95	0.95	1.05
ME12CN21	XAFC36D	0.95	0.95	1.05
MVC12BN21	CF36B	0.94	0.98	1.07
MVC12BN21	CF36B	0.94	0.98	1.07
MVC12BN21	CM36B	0.94	0.98	1.07
MVC12BN21	CM36B	0.94	0.98	1.07
MVC12BN21	XAFB36D	0.95	0.95	1.07
MVC12BN21	XAFB36D	0.95	0.95	1.07
MVC12BN21	XAHB36D	0.93	0.92	1.07
MVC12BN21	XAHB36D	0.93	0.92	1.07
MVC12BN21	XAUB36D	0.95	0.95	1.07
MVC12CN21	CF36C	0.94	0.98	1.05
MVC12CN21	CM36C	0.94	0.98	1.05
MVC12CN21	XAFC36D	0.95	0.95	1.06
MVC12CN21	XAFC36D	0.95	0.95	1.06
MVC12CN21	XAHC36D	0.94	0.93	1.07
MVC12CN21	XAHC36D	0.94	0.93	1.07

## Cool multiplier furnace - 2 ton

**Table 16: Cool multiplier furnace - 2 ton**

Furnace model	Indoor coil model	Total capacity	Sensible capacity	kW
TL8E060A12UH11	CF36A	0.94	0.97	1.1
TL8E060A12UH11	CF36B	0.94	0.97	1.09
TL8E060A12UH11	CF36B	0.94	0.97	1.09
TL8E060A12UH11	CM36A	0.94	0.97	1.1
TL8E060A12UH11	CM36B	0.94	0.97	1.09
TL8E060A12UH11	CM36B	0.94	0.97	1.09
TL8E060A12UH11	CU36B	0.94	0.97	1.09
TL8E060A12UH11	XAFA30D	0.94	0.93	1.09
TL8E060A12UH11	XAFA30D	0.94	0.93	1.09
TL8E060A12UH11	XAFB36D	0.95	0.94	1.08
TL8E060A12UH11	XAFB36D	0.95	0.94	1.08
TL8E060A12UH11	XAHB36D	0.93	0.92	1.09
TL8E060A12UH11	XAHB36D	0.93	0.92	1.09
TL8E060A12UH11	XAUB36D	0.95	0.94	1.08
TL8E080C16UH11	XAFC36D	0.96	0.96	1.14
TL8E080C16UH11	XAFC36D	0.96	0.96	1.14
TL9E060B12UH11	CF36B	0.93	0.97	1.1
TL9E060B12UH11	CF36B	0.93	0.97	1.1
TL9E060B12UH11	CF36C	0.94	0.97	1.11
TL9E060B12UH11	CM36B	0.93	0.97	1.1
TL9E060B12UH11	CM36B	0.93	0.97	1.1
TL9E060B12UH11	CM36C	0.94	0.97	1.11
TL9E060B12UH11	CU36B	0.93	0.97	1.1
TL9E060B12UH11	CU36C	0.94	0.97	1.11
TL9E060B12UH11	CU36C	0.94	0.97	1.11
TL9E060B12UH11	XAFB36D	0.94	0.93	1.09
TL9E060B12UH11	XAFB36D	0.94	0.93	1.09
TL9E060B12UH11	XAFC36D	0.94	0.93	1.09
TL9E060B12UH11	XAFC36D	0.94	0.93	1.09
TL9E060B12UH11	XAHB36D	0.95	0.94	1.11
TL9E060B12UH11	XAHB36D	0.95	0.94	1.11
TL9E060B12UH11	XAHC36D	0.92	0.92	1.1
TL9E060B12UH11	XAHC36D	0.92	0.92	1.1
TL9E060B12UH11	XAUB36D	0.94	0.93	1.09
TL9E080C16UH11	XAFC36D	0.96	0.95	1.14
TL9E080C16UH11	XAFC36D	0.96	0.95	1.14
TM8E040A12MP11	CF36A	0.94	0.97	1.09
TM8E040A12MP11	CM36A	0.94	0.97	1.09
TM8E040A12MP11	XAFA30D	0.94	0.93	1.09
TM8E040A12MP11	XAFA30D	0.94	0.93	1.09
TM8E040A12MP11	XAFB36D	0.94	0.94	1.08
TM8E040A12MP11	XAFB36D	0.94	0.94	1.08
TM8E040A12MP11	XAHB36D	0.93	0.92	1.09
TM8E040A12MP11	XAHB36D	0.93	0.92	1.09
TM8E040A12MP11	XAUB36D	0.94	0.94	1.08
TM8E060A12MP11	XAFA30D	0.94	0.93	1.09
TM8E060A12MP11	XAFA30D	0.94	0.93	1.09
TM8E060A12MP11	XAFB36D	0.94	0.94	1.08
TM8E060A12MP11	XAFB36D	0.94	0.94	1.08
TM8E060A12MP11	XAHB36D	0.92	0.92	1.08
TM8E060A12MP11	XAHB36D	0.92	0.92	1.08
TM8E060A12MP11	XAUB36D	0.94	0.94	1.08

**Table 16: Cool multiplier furnace - 2 ton**

Furnace model	Indoor coil model	Total capacity	Sensible capacity	kW
TM8E080B12MP11	XAFB36D	0.94	0.94	1.09
TM8E080B12MP11	XAFB36D	0.94	0.94	1.09
TM8E080B12MP11	XAFC36D	0.95	0.94	1.09
TM8E080B12MP11	XAFC36D	0.95	0.94	1.09
TM8E080B12MP11	XAHB36D	0.92	0.92	1.09
TM8E080B12MP11	XAHB36D	0.92	0.92	1.09
TM8E080B12MP11	XAHC36D	0.93	0.92	1.09
TM8E080B12MP11	XAHC36D	0.93	0.92	1.09
TM8E080B12MP11	XAUB36D	0.94	0.94	1.09
TM8E080C16MP11	XAFC36D	0.96	0.95	1.12
TM8E080C16MP11	XAFC36D	0.96	0.95	1.12
TM8E080C16MP11	XAHC36D	0.95	0.94	1.1
TM8E080C16MP11	XAHC36D	0.95	0.94	1.1
TM8E100B12MP11	XAFB36D	0.97	0.96	1.11
TM8E100B12MP11	XAFB36D	0.97	0.96	1.11
TM8E100B12MP11	XAFC36D	0.95	0.95	1.07
TM8E100B12MP11	XAFC36D	0.95	0.95	1.07
TM8E100B12MP11	XAHB36D	0.95	0.94	1.08
TM8E100B12MP11	XAHB36D	0.95	0.94	1.08
TM8E100B12MP11	XAHC36D	0.93	0.92	1.07
TM8E100B12MP11	XAHC36D	0.93	0.92	1.07
TM8E100B12MP11	XAUB36D	0.97	0.96	1.11
TM8E100C16MP11	XAFC36D	0.97	0.96	1.09
TM8E100C16MP11	XAFC36D	0.97	0.96	1.09
TM8E100C16MP11	XAHC36D	0.95	0.94	1.09
TM8E100C16MP11	XAHC36D	0.95	0.94	1.09
TM8E120C16MP11	XAFC36D	0.97	0.96	1.09
TM8E120C16MP11	XAFC36D	0.97	0.96	1.09
TM8E120C16MP11	XAHC36D	0.95	0.94	1.09
TM8E120C16MP11	XAHC36D	0.95	0.94	1.09
TM8V060A12MP12C	CF36A	0.95	0.97	1.07
TM8V060A12MP12C	CF36B	0.95	0.97	1.06
TM8V060A12MP12C	CF36B	0.95	0.97	1.06
TM8V060A12MP12C	CM36A	0.95	0.97	1.07
TM8V060A12MP12C	CM36B	0.95	0.97	1.06
TM8V060A12MP12C	CM36B	0.95	0.97	1.06
TM8V060A12MP12C	CU36B	0.95	0.97	1.06
TM8V080B12MP12C	CF36B	0.94	0.97	1.1
TM8V080B12MP12C	CF36B	0.94	0.97	1.1
TM8V080B12MP12C	CF36C	0.94	0.97	1.09
TM8V080B12MP12C	CM36B	0.94	0.97	1.1
TM8V080B12MP12C	CM36B	0.94	0.97	1.1
TM8V080B12MP12C	CM36C	0.94	0.97	1.09
TM8V080B12MP12C	CU36B	0.94	0.97	1.1
TM8V080B12MP12C	CU36C	0.94	0.97	1.09
TM8V080B12MP12C	CU36C	0.94	0.97	1.09
TM8V080B12MP12C	XAFB36D	0.94	0.93	1.1
TM8V080B12MP12C	XAFB36D	0.94	0.93	1.1
TM8V080B12MP12C	XAFC36D	0.94	0.93	1.09
TM8V080B12MP12C	XAFC36D	0.94	0.93	1.09
TM8V080B12MP12C	XAHB36D	0.92	0.91	1.1
TM8V080B12MP12C	XAHB36D	0.92	0.91	1.1
TM8V080B12MP12C	XAHC36D	0.92	0.91	1.09

**Table 16: Cool multiplier furnace - 2 ton**

Furnace model	Indoor coil model	Total capacity	Sensible capacity	kW
TM8V080B12MP12C	XAHC36D	0.92	0.91	1.09
TM8V080B12MP12C	XAUB36D	0.94	0.93	1.1
TM8V080C16MP12C	CF36C	0.94	0.98	1.08
TM8V080C16MP12C	CM36C	0.94	0.98	1.08
TM8V080C16MP12C	CU36C	0.94	0.98	1.08
TM8V080C16MP12C	CU36C	0.94	0.98	1.08
TM8V100C16MP12C	CF36C	0.94	0.98	1.08
TM8V100C16MP12C	CM36C	0.94	0.98	1.08
TM8V100C16MP12C	CU36C	0.94	0.98	1.08
TM8V100C16MP12C	CU36C	0.94	0.98	1.08
TM8Y060A12MP11	CF36A	0.95	0.97	1.09
TM8Y060A12MP11	CF36B	0.94	0.97	1.08
TM8Y060A12MP11	CF36B	0.94	0.97	1.08
TM8Y060A12MP11	CM36A	0.95	0.97	1.09
TM8Y060A12MP11	CM36B	0.94	0.97	1.08
TM8Y060A12MP11	CM36B	0.94	0.97	1.08
TM8Y060A12MP11	CU36B	0.94	0.97	1.08
TM8Y060A12MP11	XAFA30D	0.94	0.93	1.11
TM8Y060A12MP11	XAFA30D	0.94	0.93	1.11
TM8Y060A12MP11	XAFB36D	0.95	0.94	1.07
TM8Y060A12MP11	XAFB36D	0.95	0.94	1.07
TM8Y060A12MP11	XAHB36D	0.94	0.93	1.12
TM8Y060A12MP11	XAHB36D	0.94	0.93	1.12
TM8Y060A12MP11	XAUB36D	0.95	0.94	1.07
TM8Y080B12MP11	CF36B	0.94	0.98	1.09
TM8Y080B12MP11	CF36B	0.94	0.98	1.09
TM8Y080B12MP11	CF36C	0.94	0.98	1.08
TM8Y080B12MP11	CM36B	0.94	0.98	1.09
TM8Y080B12MP11	CM36B	0.94	0.98	1.09
TM8Y080B12MP11	CM36C	0.94	0.98	1.08
TM8Y080B12MP11	CU36B	0.94	0.98	1.09
TM8Y080B12MP11	XAFB36D	0.95	0.95	1.08
TM8Y080B12MP11	XAFB36D	0.95	0.95	1.08
TM8Y080B12MP11	XAFC36D	0.95	0.95	1.08
TM8Y080B12MP11	XAFC36D	0.95	0.95	1.08
TM8Y080B12MP11	XAHB36D	0.93	0.93	1.08
TM8Y080B12MP11	XAHB36D	0.93	0.93	1.08
TM8Y080B12MP11	XAHC36D	0.93	0.92	1.07
TM8Y080B12MP11	XAHC36D	0.93	0.92	1.07
TM8Y080B12MP11	XAUB36D	0.95	0.95	1.08
TM8Y080C16MP11	XAFC36D	0.97	0.96	1.1
TM8Y080C16MP11	XAFC36D	0.97	0.96	1.1
TM8Y080C16MP11	XAHC36D	0.95	0.94	1.1
TM8Y080C16MP11	XAHC36D	0.95	0.94	1.1
TM8Y100C16MP11	XAFC36D	0.97	0.95	1.1
TM8Y100C16MP11	XAFC36D	0.97	0.95	1.1
TM8Y100C16MP11	XAHC36D	0.95	0.94	1.1
TM8Y100C16MP11	XAHC36D	0.95	0.94	1.1
TM9E026A08MP12	CF36A	0.92	0.95	1.14
TM9E026A08MP12	CF36B	0.92	0.95	1.14
TM9E026A08MP12	CF36B	0.92	0.95	1.14
TM9E026A08MP12	CM36A	0.92	0.95	1.14
TM9E026A08MP12	CM36B	0.92	0.95	1.14

**Table 16: Cool multiplier furnace - 2 ton**

Furnace model	Indoor coil model	Total capacity	Sensible capacity	kW
TM9E026A08MP12	CM36B	0.92	0.95	1.14
TM9E026A08MP12	CU36B	0.92	0.95	1.14
TM9E026A08MP12	XAFA30D	0.93	0.91	1.13
TM9E026A08MP12	XAFA30D	0.93	0.91	1.13
TM9E026A08MP12	XAFB36D	0.93	0.92	1.13
TM9E026A08MP12	XAFB36D	0.93	0.92	1.13
TM9E026A08MP12	XAHB36D	0.92	0.91	1.14
TM9E026A08MP12	XAHB36D	0.92	0.91	1.14
TM9E026A08MP12	XAUB36D	0.93	0.92	1.13
TM9E040A10MP12	CF36A	0.92	0.95	1.14
TM9E040A10MP12	CF36B	0.93	0.96	1.11
TM9E040A10MP12	CF36B	0.93	0.96	1.11
TM9E040A10MP12	CM36A	0.92	0.95	1.14
TM9E040A10MP12	CM36B	0.93	0.96	1.11
TM9E040A10MP12	CM36B	0.93	0.96	1.11
TM9E040A10MP12	CU36B	0.93	0.96	1.11
TM9E040A10MP12	XAFA30D	0.94	0.92	1.13
TM9E040A10MP12	XAFA30D	0.94	0.92	1.13
TM9E040A10MP12	XAFB36D	0.93	0.92	1.12
TM9E040A10MP12	XAFB36D	0.93	0.92	1.12
TM9E040A10MP12	XAHB36D	0.92	0.91	1.13
TM9E040A10MP12	XAHB36D	0.92	0.91	1.13
TM9E040A10MP12	XAUB36D	0.93	0.92	1.12
TM9E060A10MP12	CF36A	0.93	0.97	1.12
TM9E060A10MP12	CM36A	0.93	0.97	1.12
TM9E060A10MP12	XAFA30D	0.94	0.93	1.11
TM9E060A10MP12	XAFA30D	0.94	0.93	1.11
TM9E060A10MP12	XAFB36D	0.94	0.94	1.11
TM9E060A10MP12	XAFB36D	0.94	0.94	1.11
TM9E060A10MP12	XAHB36D	0.92	0.92	1.11
TM9E060A10MP12	XAHB36D	0.92	0.92	1.11
TM9E060A10MP12	XAUB36D	0.94	0.94	1.11
TM9E060B12MP12	XAFB36D	0.93	0.93	1.11
TM9E060B12MP12	XAFB36D	0.93	0.93	1.11
TM9E060B12MP12	XAFC36D	0.93	0.93	1.11
TM9E060B12MP12	XAFC36D	0.93	0.93	1.11
TM9E060B12MP12	XAHB36D	0.91	0.9	1.12
TM9E060B12MP12	XAHB36D	0.91	0.9	1.12
TM9E060B12MP12	XAHC36D	0.92	0.91	1.12
TM9E060B12MP12	XAHC36D	0.92	0.91	1.12
TM9E060B12MP12	XAUB36D	0.93	0.93	1.11
TM9E080B12MP12	XAFB36D	0.94	0.94	1.1
TM9E080B12MP12	XAFB36D	0.94	0.94	1.1
TM9E080B12MP12	XAFC36D	0.94	0.94	1.1
TM9E080B12MP12	XAFC36D	0.94	0.94	1.1
TM9E080B12MP12	XAHB36D	0.92	0.91	1.11
TM9E080B12MP12	XAHB36D	0.92	0.91	1.11
TM9E080B12MP12	XAHC36D	0.92	0.91	1.09
TM9E080B12MP12	XAHC36D	0.92	0.91	1.09
TM9E080B12MP12	XAUB36D	0.94	0.94	1.1
TM9E080C16MP12	XAFC36D	0.97	0.96	1.09
TM9E080C16MP12	XAFC36D	0.97	0.96	1.09
TM9E080C16MP12	XAHC36D	0.95	0.94	1.08

**Table 16: Cool multiplier furnace - 2 ton**

Furnace model	Indoor coil model	Total capacity	Sensible capacity	kW
TM9E080C16MP12	XAHC36D	0.95	0.94	1.08
TM9E100C16MP12	XAFC36D	0.97	0.96	1.1
TM9E100C16MP12	XAFC36D	0.97	0.96	1.1
TM9E100C16MP12	XAHC36D	0.95	0.94	1.1
TM9E100C16MP12	XAHC36D	0.95	0.94	1.1
TM9V040A10MP12C	CF36A	0.92	0.95	1.15
TM9V040A10MP12C	CF36B	0.93	0.96	1.14
TM9V040A10MP12C	CF36B	0.93	0.96	1.14
TM9V040A10MP12C	CM36A	0.92	0.95	1.15
TM9V040A10MP12C	CM36B	0.93	0.96	1.14
TM9V040A10MP12C	CM36B	0.93	0.96	1.14
TM9V040A10MP12C	CU36B	0.93	0.96	1.14
TM9V040A10MP12C	XAFA30D	0.93	0.91	1.15
TM9V040A10MP12C	XAFA30D	0.93	0.91	1.15
TM9V040A10MP12C	XAFB36D	0.94	0.93	1.14
TM9V040A10MP12C	XAFB36D	0.94	0.93	1.14
TM9V040A10MP12C	XAHB36D	0.91	0.9	1.14
TM9V040A10MP12C	XAHB36D	0.91	0.9	1.14
TM9V040A10MP12C	XAUB36D	0.94	0.93	1.14
TM9V060B12MP12C	CF36B	0.94	0.97	1.11
TM9V060B12MP12C	CF36B	0.94	0.97	1.11
TM9V060B12MP12C	CF36C	0.94	0.97	1.1
TM9V060B12MP12C	CM36B	0.94	0.97	1.11
TM9V060B12MP12C	CM36B	0.94	0.97	1.11
TM9V060B12MP12C	CM36C	0.94	0.97	1.1
TM9V060B12MP12C	CU36B	0.94	0.97	1.11
TM9V060B12MP12C	CU36C	0.94	0.97	1.1
TM9V060B12MP12C	CU36C	0.94	0.97	1.1
TM9V060B12MP12C	XAFB36D	0.94	0.94	1.11
TM9V060B12MP12C	XAFB36D	0.94	0.94	1.11
TM9V060B12MP12C	XAFC36D	0.94	0.94	1.1
TM9V060B12MP12C	XAFC36D	0.94	0.94	1.1
TM9V060B12MP12C	XAHB36D	0.92	0.91	1.12
TM9V060B12MP12C	XAHB36D	0.92	0.91	1.12
TM9V060B12MP12C	XAHC36D	0.92	0.91	1.1
TM9V060B12MP12C	XAHC36D	0.92	0.91	1.1
TM9V060B12MP12C	XAUB36D	0.94	0.94	1.11
TM9V080B12MP12C	CF36B	0.94	0.98	1.09
TM9V080B12MP12C	CF36B	0.94	0.98	1.09
TM9V080B12MP12C	CF36C	0.94	0.98	1.08
TM9V080B12MP12C	CM36B	0.94	0.98	1.09
TM9V080B12MP12C	CM36B	0.94	0.98	1.09
TM9V080B12MP12C	CM36C	0.94	0.98	1.08
TM9V080B12MP12C	CU36B	0.94	0.98	1.09
TM9V080B12MP12C	CU36C	0.94	0.98	1.08
TM9V080B12MP12C	CU36C	0.94	0.98	1.08
TM9V080B12MP12C	XAFB36D	0.95	0.94	1.09
TM9V080B12MP12C	XAFB36D	0.95	0.94	1.09
TM9V080B12MP12C	XAFC36D	0.95	0.94	1.09
TM9V080B12MP12C	XAFC36D	0.95	0.94	1.09
TM9V080B12MP12C	XAHB36D	0.92	0.92	1.1
TM9V080B12MP12C	XAHB36D	0.92	0.92	1.1
TM9V080B12MP12C	XAHC36D	0.92	0.92	1.09



**Table 16: Cool multiplier furnace - 2 ton**

Furnace model	Indoor coil model	Total capacity	Sensible capacity	kW
TM9V080B12MP12C	XAHC36D	0.92	0.92	1.09
TM9V080B12MP12C	XAUB36D	0.95	0.94	1.09
TM9Y040A10MP11	XAFA30D	0.94	0.93	1.13
TM9Y040A10MP11	XAFA30D	0.94	0.93	1.13
TM9Y040A10MP11	XAFB36D	0.93	0.92	1.12
TM9Y040A10MP11	XAFB36D	0.93	0.92	1.12
TM9Y040A10MP11	XAHB36D	0.91	0.9	1.12
TM9Y040A10MP11	XAHB36D	0.91	0.9	1.12
TM9Y040A10MP11	XAUB36D	0.93	0.92	1.12
TM9Y060B12MP11	CF36B	0.94	0.97	1.11
TM9Y060B12MP11	CF36B	0.94	0.97	1.11
TM9Y060B12MP11	CF36C	0.94	0.97	1.11
TM9Y060B12MP11	CM36B	0.94	0.97	1.11
TM9Y060B12MP11	CM36B	0.94	0.97	1.11
TM9Y060B12MP11	CM36C	0.94	0.97	1.11
TM9Y060B12MP11	CU36B	0.94	0.97	1.11
TM9Y060B12MP11	CU36C	0.94	0.97	1.11
TM9Y060B12MP11	CU36C	0.94	0.97	1.11
TM9Y060B12MP11	XAFB36D	0.94	0.93	1.1
TM9Y060B12MP11	XAFB36D	0.94	0.93	1.1
TM9Y060B12MP11	XAFC36D	0.94	0.93	1.1
TM9Y060B12MP11	XAFC36D	0.94	0.93	1.1
TM9Y060B12MP11	XAHB36D	0.92	0.91	1.09
TM9Y060B12MP11	XAHB36D	0.92	0.91	1.09
TM9Y060B12MP11	XAHC36D	0.92	0.92	1.1
TM9Y060B12MP11	XAHC36D	0.92	0.92	1.1
TM9Y060B12MP11	XAUB36D	0.94	0.93	1.1
TM9Y080B12MP11	XAFB36D	0.94	0.94	1.09
TM9Y080B12MP11	XAFB36D	0.94	0.94	1.09
TM9Y080B12MP11	XAFC36D	0.97	0.95	1.11
TM9Y080B12MP11	XAFC36D	0.97	0.95	1.11
TM9Y080B12MP11	XAHB36D	0.92	0.92	1.1
TM9Y080B12MP11	XAHB36D	0.92	0.92	1.1
TM9Y080B12MP11	XAHC36D	0.94	0.93	1.1
TM9Y080B12MP11	XAHC36D	0.94	0.93	1.1
TM9Y080B12MP11	XAUB36D	0.94	0.94	1.09
TM9Y080C16MP11	XAFC36D	0.96	0.95	1.11
TM9Y080C16MP11	XAFC36D	0.96	0.95	1.11
TM9Y080C16MP11	XAHC36D	0.94	0.93	1.1
TM9Y080C16MP11	XAHC36D	0.94	0.93	1.1
TM9Y100C16MP11	XAFC36D	0.97	0.95	1.11
TM9Y100C16MP11	XAFC36D	0.97	0.95	1.11
TM9Y100C16MP11	XAHC36D	0.94	0.93	1.1
TM9Y100C16MP11	XAHC36D	0.94	0.93	1.1
TMLE040A12MP11	CF36A	0.94	0.97	1.09
TMLE040A12MP11	CM36A	0.94	0.97	1.09
TMLE040A12MP11	XAFA30D	0.94	0.93	1.09
TMLE040A12MP11	XAFA30D	0.94	0.93	1.09
TMLE040A12MP11	XAFB36D	0.94	0.94	1.08
TMLE040A12MP11	XAFB36D	0.94	0.94	1.08
TMLE040A12MP11	XAHB36D	0.93	0.92	1.09
TMLE040A12MP11	XAHB36D	0.93	0.92	1.09
TMLE040A12MP11	XAUB36D	0.94	0.94	1.08

**Table 16: Cool multiplier furnace - 2 ton**

Furnace model	Indoor coil model	Total capacity	Sensible capacity	kW
TMLE060A12MP11	XAFA30D	0.94	0.93	1.09
TMLE060A12MP11	XAFA30D	0.94	0.93	1.09
TMLE060A12MP11	XAFB36D	0.94	0.94	1.08
TMLE060A12MP11	XAFB36D	0.94	0.94	1.08
TMLE060A12MP11	XAHB36D	0.92	0.92	1.08
TMLE060A12MP11	XAHB36D	0.92	0.92	1.08
TMLE060A12MP11	XAUB36D	0.94	0.94	1.08
TMLE080B12MP11	XAFB36D	0.94	0.94	1.09
TMLE080B12MP11	XAFB36D	0.94	0.94	1.09
TMLE080B12MP11	XAFC36D	0.95	0.94	1.09
TMLE080B12MP11	XAFC36D	0.95	0.94	1.09
TMLE080B12MP11	XAHB36D	0.92	0.92	1.09
TMLE080B12MP11	XAHB36D	0.92	0.92	1.09
TMLE080B12MP11	XAHC36D	0.93	0.92	1.09
TMLE080B12MP11	XAHC36D	0.93	0.92	1.09
TMLE080B12MP11	XAUB36D	0.94	0.94	1.09
TMLE080C16MP11	XAFC36D	0.96	0.95	1.12
TMLE080C16MP11	XAFC36D	0.96	0.95	1.12
TMLE080C16MP11	XAHC36D	0.95	0.94	1.1
TMLE080C16MP11	XAHC36D	0.95	0.94	1.1
TMLE100B12MP11	XAFB36D	0.97	0.96	1.11
TMLE100B12MP11	XAFB36D	0.97	0.96	1.11
TMLE100B12MP11	XAFC36D	0.95	0.95	1.07
TMLE100B12MP11	XAFC36D	0.95	0.95	1.07
TMLE100B12MP11	XAHB36D	0.95	0.94	1.08
TMLE100B12MP11	XAHB36D	0.95	0.94	1.08
TMLE100B12MP11	XAHC36D	0.93	0.92	1.07
TMLE100B12MP11	XAHC36D	0.93	0.92	1.07
TMLE100B12MP11	XAUB36D	0.97	0.96	1.11
TMLE100C16MP11	XAFC36D	0.97	0.96	1.09
TMLE100C16MP11	XAFC36D	0.97	0.96	1.09
TMLE100C16MP11	XAHC36D	0.95	0.94	1.09
TMLE100C16MP11	XAHC36D	0.95	0.94	1.09
TMLE120C16MP11	XAFC36D	0.97	0.96	1.09
TMLE120C16MP11	XAFC36D	0.97	0.96	1.09
TMLE120C16MP11	XAHC36D	0.95	0.94	1.09
TMLE120C16MP11	XAHC36D	0.95	0.94	1.09
TMLV060A12MP12C	CF36A	0.95	0.97	1.07
TMLV060A12MP12C	CF36B	0.95	0.97	1.06
TMLV060A12MP12C	CF36B	0.95	0.97	1.06
TMLV060A12MP12C	CM36A	0.95	0.97	1.07
TMLV060A12MP12C	CM36B	0.95	0.97	1.06
TMLV060A12MP12C	CM36B	0.95	0.97	1.06
TMLV060A12MP12C	CU36B	0.95	0.97	1.06
TMLV100C16MP12C	CF36C	0.94	0.98	1.08
TMLV100C16MP12C	CM36C	0.94	0.98	1.08
TMLV100C16MP12C	CU36C	0.94	0.98	1.08
TMLV100C16MP12C	CU36C	0.94	0.98	1.08
TP9C060B12MP13C	CF36B	0.94	0.97	1.11
TP9C060B12MP13C	CF36B	0.94	0.97	1.11
TP9C060B12MP13C	CF36C	0.94	0.97	1.1
TP9C060B12MP13C	CM36B	0.94	0.97	1.11
TP9C060B12MP13C	CM36B	0.94	0.97	1.11

**Table 16: Cool multiplier furnace - 2 ton**

Furnace model	Indoor coil model	Total capacity	Sensible capacity	kW
TP9C060B12MP13C	CM36C	0.94	0.97	1.1
TP9C060B12MP13C	CU36B	0.94	0.97	1.11
TP9C060B12MP13C	CU36C	0.94	0.97	1.1
TP9C060B12MP13C	CU36C	0.94	0.97	1.1
TP9C060B12MP13C	XAFB36D	0.94	0.94	1.11
TP9C060B12MP13C	XAFB36D	0.94	0.94	1.11
TP9C060B12MP13C	XAFC36D	0.94	0.94	1.1
TP9C060B12MP13C	XAFC36D	0.94	0.94	1.1
TP9C060B12MP13C	XAHB36D	0.92	0.91	1.12
TP9C060B12MP13C	XAHB36D	0.92	0.91	1.12
TP9C060B12MP13C	XAHC36D	0.92	0.91	1.1
TP9C060B12MP13C	XAHC36D	0.92	0.91	1.1
TP9C060B12MP13C	XAUB36D	0.94	0.94	1.11
TP9C080B12MP13C	CF36B	0.94	0.98	1.09
TP9C080B12MP13C	CF36B	0.94	0.98	1.09
TP9C080B12MP13C	CF36C	0.94	0.98	1.08
TP9C080B12MP13C	CM36B	0.94	0.98	1.09
TP9C080B12MP13C	CM36B	0.94	0.98	1.09
TP9C080B12MP13C	CM36C	0.94	0.98	1.08
TP9C080B12MP13C	CU36B	0.94	0.98	1.09
TP9C080B12MP13C	CU36C	0.94	0.98	1.08
TP9C080B12MP13C	CU36C	0.94	0.98	1.08
TP9C080B12MP13C	XAFB36D	0.95	0.94	1.09
TP9C080B12MP13C	XAFB36D	0.95	0.94	1.09
TP9C080B12MP13C	XAFC36D	0.95	0.94	1.09
TP9C080B12MP13C	XAFC36D	0.95	0.94	1.09
TP9C080B12MP13C	XAHB36D	0.92	0.92	1.1
TP9C080B12MP13C	XAHB36D	0.92	0.92	1.1
TP9C080B12MP13C	XAHC36D	0.92	0.92	1.09
TP9C080B12MP13C	XAHC36D	0.92	0.92	1.09
TP9C080B12MP13C	XAUB36D	0.95	0.94	1.09
TPLC060A12MP13C	CF36A	0.95	0.97	1.07
TPLC060A12MP13C	CF36B	0.95	0.97	1.06
TPLC060A12MP13C	CF36B	0.95	0.97	1.06
TPLC060A12MP13C	CM36A	0.95	0.97	1.07
TPLC060A12MP13C	CM36B	0.95	0.97	1.06
TPLC060A12MP13C	CM36B	0.95	0.97	1.06
TPLC060A12MP13C	CU36B	0.95	0.97	1.06
TPLC080B12MP13C	CF36B	0.94	0.97	1.1
TPLC080B12MP13C	CF36B	0.94	0.97	1.1
TPLC080B12MP13C	CF36C	0.94	0.97	1.09
TPLC080B12MP13C	CM36B	0.94	0.97	1.1
TPLC080B12MP13C	CM36B	0.94	0.97	1.1
TPLC080B12MP13C	CM36C	0.94	0.97	1.09
TPLC080B12MP13C	CU36B	0.94	0.97	1.1
TPLC080B12MP13C	CU36C	0.94	0.97	1.09
TPLC080B12MP13C	CU36C	0.94	0.97	1.09
TPLC080B12MP13C	XAFB36D	0.94	0.93	1.1
TPLC080B12MP13C	XAFB36D	0.94	0.93	1.1
TPLC080B12MP13C	XAFC36D	0.94	0.93	1.09
TPLC080B12MP13C	XAFC36D	0.94	0.93	1.09
TPLC080B12MP13C	XAHB36D	0.92	0.91	1.1
TPLC080B12MP13C	XAHB36D	0.92	0.91	1.1

**Table 16: Cool multiplier furnace - 2 ton**

Furnace model	Indoor coil model	Total capacity	Sensible capacity	kW
TPLC080B12MP13C	XAHC36D	0.92	0.91	1.09
TPLC080B12MP13C	XAHC36D	0.92	0.91	1.09
TPLC080B12MP13C	XAUB36D	0.94	0.93	1.1
TPLC080C16MP13C	CF36C	0.94	0.98	1.08
TPLC080C16MP13C	CM36C	0.94	0.98	1.08
TPLC080C16MP13C	CU36C	0.94	0.98	1.08
TPLC080C16MP13C	CU36C	0.94	0.98	1.08
TPLC100C16MP13C	CF36C	0.94	0.98	1.08
TPLC100C16MP13C	CM36C	0.94	0.98	1.08
TPLC100C16MP13C	CU36C	0.94	0.98	1.08
TPLC100C16MP13C	CU36C	0.94	0.98	1.08
YP9C060B12MP13C	CF36B	0.94	0.97	1.11
YP9C060B12MP13C	CF36B	0.94	0.97	1.11
YP9C060B12MP13C	CF36C	0.94	0.97	1.1
YP9C060B12MP13C	CM36B	0.94	0.97	1.11
YP9C060B12MP13C	CM36B	0.94	0.97	1.11
YP9C060B12MP13C	CM36C	0.94	0.97	1.1
YP9C060B12MP13C	CU36B	0.94	0.97	1.11
YP9C060B12MP13C	CU36C	0.94	0.97	1.1
YP9C060B12MP13C	CU36C	0.94	0.97	1.1
YP9C060B12MP13C	XAFB36D	0.94	0.94	1.11
YP9C060B12MP13C	XAFB36D	0.94	0.94	1.11
YP9C060B12MP13C	XAFC36D	0.94	0.94	1.1
YP9C060B12MP13C	XAFC36D	0.94	0.94	1.1
YP9C060B12MP13C	XAHB36D	0.92	0.91	1.12
YP9C060B12MP13C	XAHB36D	0.92	0.91	1.12
YP9C060B12MP13C	XAHC36D	0.92	0.91	1.1
YP9C060B12MP13C	XAHC36D	0.92	0.91	1.1
YP9C060B12MP13C	XAUB36D	0.94	0.94	1.11
YP9C080B12MP13C	CF36B	0.94	0.98	1.09
YP9C080B12MP13C	CF36B	0.94	0.98	1.09
YP9C080B12MP13C	CF36C	0.94	0.98	1.08
YP9C080B12MP13C	CM36B	0.94	0.98	1.09
YP9C080B12MP13C	CM36B	0.94	0.98	1.09
YP9C080B12MP13C	CM36C	0.94	0.98	1.08
YP9C080B12MP13C	CU36B	0.94	0.98	1.09
YP9C080B12MP13C	CU36C	0.94	0.98	1.08
YP9C080B12MP13C	CU36C	0.94	0.98	1.08
YP9C080B12MP13C	XAFB36D	0.95	0.94	1.09
YP9C080B12MP13C	XAFB36D	0.95	0.94	1.09
YP9C080B12MP13C	XAFC36D	0.95	0.94	1.09
YP9C080B12MP13C	XAFC36D	0.95	0.94	1.09
YP9C080B12MP13C	XAHB36D	0.92	0.92	1.1
YP9C080B12MP13C	XAHB36D	0.92	0.92	1.1
YP9C080B12MP13C	XAHC36D	0.92	0.92	1.09
YP9C080B12MP13C	XAHC36D	0.92	0.92	1.09
YP9C080B12MP13C	XAUB36D	0.95	0.94	1.09
YPLC060A12MP13C	CF36A	0.95	0.97	1.07
YPLC060A12MP13C	CF36B	0.95	0.97	1.06
YPLC060A12MP13C	CF36B	0.95	0.97	1.06
YPLC060A12MP13C	CM36A	0.95	0.97	1.07
YPLC060A12MP13C	CM36B	0.95	0.97	1.06
YPLC060A12MP13C	CM36B	0.95	0.97	1.06

**Table 16: Cool multiplier furnace - 2 ton**

Furnace model	Indoor coil model	Total capacity	Sensible capacity	kW
YPLC060A12MP13C	CU36B	0.95	0.97	1.06
YPLC080B12MP13C	CF36B	0.94	0.97	1.1
YPLC080B12MP13C	CF36B	0.94	0.97	1.1
YPLC080B12MP13C	CF36C	0.94	0.97	1.09
YPLC080B12MP13C	CM36B	0.94	0.97	1.1
YPLC080B12MP13C	CM36B	0.94	0.97	1.1
YPLC080B12MP13C	CM36C	0.94	0.97	1.09
YPLC080B12MP13C	CU36B	0.94	0.97	1.1
YPLC080B12MP13C	CU36C	0.94	0.97	1.09
YPLC080B12MP13C	CU36C	0.94	0.97	1.09
YPLC080B12MP13C	XAFB36D	0.94	0.93	1.1
YPLC080B12MP13C	XAFB36D	0.94	0.93	1.1
YPLC080B12MP13C	XAFC36D	0.94	0.93	1.09
YPLC080B12MP13C	XAFC36D	0.94	0.93	1.09
YPLC080B12MP13C	XAHB36D	0.92	0.91	1.1
YPLC080B12MP13C	XAHB36D	0.92	0.91	1.1
YPLC080B12MP13C	XAHC36D	0.92	0.91	1.09
YPLC080B12MP13C	XAHC36D	0.92	0.91	1.09
YPLC080B12MP13C	XAUB36D	0.94	0.93	1.1
YPLC080C16MP13C	CF36C	0.94	0.98	1.08
YPLC080C16MP13C	CM36C	0.94	0.98	1.08
YPLC080C16MP13C	CU36C	0.94	0.98	1.08
YPLC080C16MP13C	CU36C	0.94	0.98	1.08
YPLC100C16MP13C	CF36C	0.94	0.98	1.08
YPLC100C16MP13C	CM36C	0.94	0.98	1.08
YPLC100C16MP13C	CU36C	0.94	0.98	1.08
YPLC100C16MP13C	CU36C	0.94	0.98	1.08

## Heating performance data - 2 ton

**Table 17: Heating performance data - 2 ton**

Air temperature entering outdoor unit (°F)	Air temperature entering indoor unit (°F)	600			800			1000		
		MBH	COP	KW	MBH	COP	KW	MBH	COP	KW
60	60	24.90	3.51	2.08	27.00	3.79	2.09	29.00	4.05	2.10
60	70	23.10	3.22	2.10	24.50	3.52	2.04	25.90	3.84	1.98
60	80	24.50	2.82	2.55	27.70	3.27	2.48	30.80	3.73	2.42
47	60	22.90	3.08	2.18	24.40	3.34	2.14	25.90	3.63	2.09
47	70	21.20	2.85	2.18	22.40	3.07	2.14	23.50	3.30	2.09
47	80	22.40	2.51	2.62	25.10	2.86	2.57	27.70	3.23	2.51
40	60	21.80	2.86	2.23	23.00	3.12	2.16	24.20	3.39	2.09
40	70	20.10	2.64	2.23	21.20	2.84	2.19	22.30	3.04	2.15
40	80	21.20	2.33	2.66	23.70	2.66	2.61	26.10	2.99	2.56
30	60	20.20	2.57	2.30	21.00	2.81	2.19	21.70	3.06	2.08
30	70	18.70	2.39	2.29	19.60	2.54	2.26	20.50	2.68	2.24
30	80	19.60	2.12	2.71	21.60	2.36	2.68	23.70	2.63	2.64
17	60	18.20	2.22	2.40	18.40	2.41	2.24	18.60	2.62	2.08
17	70	16.70	2.06	2.37	17.50	2.17	2.36	18.20	2.27	2.35
17	80	17.50	1.84	2.79	19.00	2.02	2.76	20.60	2.21	2.73
10	60	17.10	2.04	2.45	17.00	2.20	2.26	16.90	2.39	2.07
10	70	15.70	1.91	2.41	16.30	1.98	2.41	17.00	2.07	2.41
10	80	16.30	1.69	2.83	17.60	1.83	2.81	19.00	1.99	2.79
0	60	15.50	1.80	2.52	15.00	1.92	2.29	14.50	2.05	2.07
0	70	14.20	1.68	2.48	14.70	1.73	2.49	15.20	1.78	2.50
0	80	14.70	1.49	2.88	15.60	1.59	2.87	16.60	1.70	2.86

## Multipliers for determining the performance with other indoor sections

Heat multiplier air handler - 2 ton

**Table 18: Heat multiplier air handler - 2 ton**

Air handler model	Indoor coil model	MBH	Cop	kW
AE36B	—	1.00	0.93	1.08
AE36B	—	1.00	0.93	1.08
AE36BX21	—	1.00	0.93	1.08
AE36BX21	—	1.00	0.93	1.08
AE36C	—	1.11	1.45	0.83
AE36C	—	1.11	1.45	0.83
AE36CX21	—	1.11	1.45	0.83
AE36CX21	—	1.11	1.45	0.83
AVC36BX21	—	1.00	0.93	1.07
AVC36BX21	—	1.00	0.93	1.07
AVC36CX21	—	1.00	0.94	1.06
AVC36CX21	—	1.00	0.94	1.06
JHETB30DBAS2N1	—	0.99	0.91	1.09
JHETB30DXXS2N1	—	0.99	0.91	1.09
JHETB36DBAS2N1	—	0.98	0.91	1.07
JHETB36DXXS2N1	—	0.98	0.92	1.06
JHETC36DBAS2N1	—	0.97	0.92	1.05
JHETC36DXXS2N1	—	0.98	0.92	1.06
JHVTB36DBAC2N1	—	0.97	0.92	1.05
JHVTB36DXXC2N1	—	0.97	0.92	1.05
JHVTC36DBAC2N1	—	0.97	0.93	1.03
JHVTC36DXXC2N1	—	0.97	0.93	1.03
JMET08BS2N1A	XAFB36D	0.98	0.92	1.06
JMET08BS2N1A	XAFB36D	0.98	0.92	1.06
JMET08BS2N1A	XAHB36D	0.95	0.90	1.05
JMET08BS2N1A	XAHB36D	0.95	0.90	1.05
JMET08BS2N1A	XAUB36D	0.98	0.92	1.06
JMET12BS2N1A	XAFB36D	0.98	0.92	1.06
JMET12BS2N1A	XAFB36D	0.98	0.92	1.06
JMET12BS2N1A	XAHB36D	0.95	0.89	1.06
JMET12BS2N1A	XAHB36D	0.95	0.89	1.06
JMET12BS2N1A	XAUB36D	0.98	0.92	1.06
JMET12CS2N1A	XAFC36D	1.03	0.92	1.12
JMET12CS2N1A	XAFC36D	1.03	0.92	1.12
JMET12CS2N1A	XAHC36D	1.02	0.90	1.12
JMET12CS2N1A	XAHC36D	1.02	0.90	1.12
JMVT12BC2N1A	XAFB36D	0.96	0.92	1.04
JMVT12BC2N1A	XAFB36D	0.96	0.92	1.04
JMVT12BC2N1A	XAHB36D	0.96	0.90	1.06
JMVT12BC2N1A	XAHB36D	0.96	0.90	1.06
JMVT12BC2N1A	XAUB36D	0.96	0.92	1.04
ME08BN21	CF36B	1.00	0.93	1.07
ME08BN21	CF36B	1.00	0.93	1.07
ME08BN21	CM36B	1.00	0.93	1.07
ME08BN21	CM36B	1.00	0.93	1.07
ME08BN21	XAFB36D	0.97	0.91	1.06
ME08BN21	XAFB36D	0.97	0.91	1.06
ME08BN21	XAHB36D	0.97	0.89	1.09

**Table 18: Heat multiplier air handler - 2 ton**

Air handler model	Indoor coil model	MBH	Cop	kW
ME08BN21	XAHB36D	0.97	0.89	1.09
ME08BN21	XAUB36D	0.97	0.91	1.06
ME12CN21	CF36C	1.00	0.94	1.06
ME12CN21	CM36C	1.00	0.94	1.06
ME12CN21	XAFC36D	0.98	0.92	1.06
ME12CN21	XAFC36D	0.98	0.92	1.06
MVC12BN21	CF36B	1.00	0.93	1.06
MVC12BN21	CF36B	1.00	0.93	1.06
MVC12BN21	CM36B	1.00	0.93	1.06
MVC12BN21	CM36B	1.00	0.93	1.06
MVC12BN21	XAFB36D	0.98	0.92	1.06
MVC12BN21	XAFB36D	0.98	0.92	1.06
MVC12BN21	XAHB36D	0.96	0.89	1.07
MVC12BN21	XAHB36D	0.96	0.89	1.07
MVC12BN21	XAUB36D	0.98	0.92	1.06
MVC12CN21	CF36C	1.00	0.94	1.05
MVC12CN21	CM36C	1.00	0.94	1.05
MVC12CN21	XAFC36D	0.98	0.92	1.06
MVC12CN21	XAFC36D	0.98	0.92	1.06
MVC12CN21	XAHC36D	0.96	0.91	1.06
MVC12CN21	XAHC36D	0.96	0.91	1.06

## Heat multiplier furnace - 2 ton

**Table 19: Heat multiplier furnace - 2 ton**

Furnace model	Indoor coil model	MBH	Cop	kW
TL8E060A12UH11	CF36A	1.00	0.91	1.09
TL8E060A12UH11	CF36B	1.00	0.92	1.09
TL8E060A12UH11	CF36B	1.00	0.92	1.09
TL8E060A12UH11	CM36A	1.00	0.91	1.09
TL8E060A12UH11	CM36B	1.00	0.92	1.09
TL8E060A12UH11	CM36B	1.00	0.92	1.09
TL8E060A12UH11	CU36B	1.00	0.92	1.09
TL8E060A12UH11	XAFA30D	0.98	0.90	1.09
TL8E060A12UH11	XAFA30D	0.98	0.90	1.09
TL8E060A12UH11	XAFB36D	0.98	0.90	1.08
TL8E060A12UH11	XAFB36D	0.98	0.90	1.08
TL8E060A12UH11	XAHB36D	0.97	0.88	1.09
TL8E060A12UH11	XAHB36D	0.97	0.88	1.09
TL8E060A12UH11	XAUB36D	0.98	0.90	1.08
TL8E080C16UH11	XAFC36D	1.04	0.91	1.14
TL8E080C16UH11	XAFC36D	1.04	0.91	1.14
TL9E060B12UH11	CF36B	1.01	0.91	1.10
TL9E060B12UH11	CF36B	1.01	0.91	1.10
TL9E060B12UH11	CF36C	1.01	0.91	1.11
TL9E060B12UH11	CM36B	1.01	0.91	1.10
TL9E060B12UH11	CM36B	1.01	0.91	1.10
TL9E060B12UH11	CM36C	1.01	0.91	1.11
TL9E060B12UH11	CU36B	1.01	0.91	1.10
TL9E060B12UH11	CU36C	1.01	0.91	1.11
TL9E060B12UH11	CU36C	1.01	0.91	1.11
TL9E060B12UH11	XAFB36D	0.99	0.89	1.11
TL9E060B12UH11	XAFB36D	0.99	0.89	1.11

**Table 19: Heat multiplier furnace - 2 ton**

Furnace model	Indoor coil model	MBH	Cop	kW
TL9E060B12UH11	XAFC36D	0.99	0.90	1.10
TL9E060B12UH11	XAFC36D	0.99	0.90	1.10
TL9E060B12UH11	XAHB36D	1.01	0.91	1.11
TL9E060B12UH11	XAHB36D	1.01	0.91	1.11
TL9E060B12UH11	XAHC36D	0.97	0.87	1.11
TL9E060B12UH11	XAHC36D	0.97	0.87	1.11
TL9E060B12UH11	XAUB36D	0.99	0.89	1.11
TL9E080C16UH11	XAFC36D	1.04	0.90	1.15
TL9E080C16UH11	XAFC36D	1.04	0.90	1.15
TM8E040A12MP11	CF36A	1.00	0.91	1.09
TM8E040A12MP11	CM36A	1.00	0.91	1.09
TM8E040A12MP11	XAFA30D	0.98	0.90	1.09
TM8E040A12MP11	XAFA30D	0.98	0.90	1.09
TM8E040A12MP11	XAFB36D	0.99	0.91	1.09
TM8E040A12MP11	XAFB36D	0.99	0.91	1.09
TM8E040A12MP11	XAHB36D	0.97	0.88	1.09
TM8E040A12MP11	XAHB36D	0.97	0.88	1.09
TM8E040A12MP11	XAUB36D	0.99	0.91	1.09
TM8E060A12MP11	XAFA30D	0.98	0.90	1.09
TM8E060A12MP11	XAFA30D	0.98	0.90	1.09
TM8E060A12MP11	XAFB36D	0.99	0.91	1.09
TM8E060A12MP11	XAFB36D	0.99	0.91	1.09
TM8E060A12MP11	XAHB36D	0.96	0.88	1.09
TM8E060A12MP11	XAHB36D	0.96	0.88	1.09
TM8E060A12MP11	XAUB36D	0.99	0.91	1.09
TM8E080B12MP11	XAFB36D	0.99	0.90	1.09
TM8E080B12MP11	XAFB36D	0.99	0.90	1.09
TM8E080B12MP11	XAFC36D	0.99	0.90	1.10
TM8E080B12MP11	XAFC36D	0.99	0.90	1.10
TM8E080B12MP11	XAHB36D	0.97	0.88	1.10
TM8E080B12MP11	XAHB36D	0.97	0.88	1.10
TM8E080B12MP11	XAHC36D	0.97	0.88	1.09
TM8E080B12MP11	XAHC36D	0.97	0.88	1.09
TM8E080B12MP11	XAUB36D	0.99	0.90	1.09
TM8E080C16MP11	XAFC36D	1.04	0.91	1.14
TM8E080C16MP11	XAFC36D	1.04	0.91	1.14
TM8E080C16MP11	XAHC36D	1.01	0.91	1.10
TM8E080C16MP11	XAHC36D	1.01	0.91	1.10
TM8E100B12MP11	XAFB36D	1.03	0.93	1.11
TM8E100B12MP11	XAFB36D	1.03	0.93	1.11
TM8E100B12MP11	XAFC36D	0.98	0.91	1.07
TM8E100B12MP11	XAFC36D	0.98	0.91	1.07
TM8E100B12MP11	XAHB36D	1.01	0.93	1.09
TM8E100B12MP11	XAHB36D	1.01	0.93	1.09
TM8E100B12MP11	XAHC36D	0.96	0.89	1.07
TM8E100B12MP11	XAHC36D	0.96	0.89	1.07
TM8E100B12MP11	XAUB36D	1.03	0.93	1.11
TM8E100C16MP11	XAFC36D	1.03	0.94	1.09
TM8E100C16MP11	XAFC36D	1.03	0.94	1.09
TM8E100C16MP11	XAHC36D	1.01	0.92	1.10
TM8E100C16MP11	XAHC36D	1.01	0.92	1.10
TM8E120C16MP11	XAFC36D	1.03	0.94	1.09
TM8E120C16MP11	XAFC36D	1.03	0.94	1.09



**Table 19: Heat multiplier furnace - 2 ton**

Furnace model	Indoor coil model	MBH	Cop	kW
TM8E120C16MP11	XAHC36D	1.01	0.92	1.09
TM8E120C16MP11	XAHC36D	1.01	0.92	1.09
TM8V060A12MP12C	CF36A	1.00	0.92	1.08
TM8V060A12MP12C	CF36B	0.99	0.92	1.07
TM8V060A12MP12C	CF36B	0.99	0.92	1.07
TM8V060A12MP12C	CM36A	1.00	0.92	1.08
TM8V060A12MP12C	CM36B	0.99	0.92	1.07
TM8V060A12MP12C	CM36B	0.99	0.92	1.07
TM8V060A12MP12C	CU36B	0.99	0.92	1.07
TM8V080B12MP12C	CF36B	1.00	0.91	1.09
TM8V080B12MP12C	CF36B	1.00	0.91	1.09
TM8V080B12MP12C	CF36C	1.00	0.91	1.09
TM8V080B12MP12C	CM36B	1.00	0.91	1.09
TM8V080B12MP12C	CM36B	1.00	0.91	1.09
TM8V080B12MP12C	CM36C	1.00	0.91	1.09
TM8V080B12MP12C	CU36B	1.00	0.91	1.09
TM8V080B12MP12C	CU36C	1.00	0.91	1.09
TM8V080B12MP12C	CU36C	1.00	0.91	1.09
TM8V080B12MP12C	XAFB36D	0.98	0.90	1.09
TM8V080B12MP12C	XAFB36D	0.98	0.90	1.09
TM8V080B12MP12C	XAFC36D	0.98	0.90	1.09
TM8V080B12MP12C	XAFC36D	0.98	0.90	1.09
TM8V080B12MP12C	XAHB36D	0.97	0.88	1.09
TM8V080B12MP12C	XAHB36D	0.97	0.88	1.09
TM8V080B12MP12C	XAHC36D	0.97	0.88	1.09
TM8V080B12MP12C	XAHC36D	0.97	0.88	1.09
TM8V080B12MP12C	XAUB36D	0.98	0.90	1.09
TM8V080C16MP12C	CF36C	1.00	0.93	1.08
TM8V080C16MP12C	CM36C	1.00	0.93	1.08
TM8V080C16MP12C	CU36C	1.00	0.93	1.08
TM8V080C16MP12C	CU36C	1.00	0.93	1.08
TM8V100C16MP12C	CF36C	1.00	0.93	1.08
TM8V100C16MP12C	CM36C	1.00	0.93	1.08
TM8V100C16MP12C	CU36C	1.00	0.93	1.08
TM8V100C16MP12C	CU36C	1.00	0.93	1.08
TM8Y060A12MP11	CF36A	1.00	0.91	1.09
TM8Y060A12MP11	CF36B	1.01	0.92	1.09
TM8Y060A12MP11	CF36B	1.01	0.92	1.09
TM8Y060A12MP11	CM36A	1.00	0.91	1.09
TM8Y060A12MP11	CM36B	1.01	0.92	1.09
TM8Y060A12MP11	CM36B	1.01	0.92	1.09
TM8Y060A12MP11	CU36B	1.01	0.92	1.09
TM8Y060A12MP11	XAFA30D	1.00	0.89	1.12
TM8Y060A12MP11	XAFA30D	1.00	0.89	1.12
TM8Y060A12MP11	XAFB36D	0.97	0.90	1.07
TM8Y060A12MP11	XAFB36D	0.97	0.90	1.07
TM8Y060A12MP11	XAHB36D	1.02	0.90	1.13
TM8Y060A12MP11	XAHB36D	1.02	0.90	1.13
TM8Y060A12MP11	XAUB36D	0.97	0.90	1.07
TM8Y080B12MP11	CF36B	1.00	0.92	1.09
TM8Y080B12MP11	CF36B	1.00	0.92	1.09
TM8Y080B12MP11	CF36C	1.00	0.92	1.08
TM8Y080B12MP11	CM36B	1.00	0.92	1.09

**Table 19: Heat multiplier furnace - 2 ton**

Furnace model	Indoor coil model	MBH	Cop	kW
TM8Y080B12MP11	CM36B	1.00	0.92	1.09
TM8Y080B12MP11	CM36C	1.00	0.92	1.08
TM8Y080B12MP11	CU36B	1.00	0.92	1.09
TM8Y080B12MP11	XAFB36D	0.98	0.91	1.07
TM8Y080B12MP11	XAFB36D	0.98	0.91	1.07
TM8Y080B12MP11	XAFC36D	0.98	0.91	1.07
TM8Y080B12MP11	XAFC36D	0.98	0.91	1.07
TM8Y080B12MP11	XAHB36D	0.96	0.89	1.08
TM8Y080B12MP11	XAHB36D	0.96	0.89	1.08
TM8Y080B12MP11	XAHC36D	0.96	0.89	1.07
TM8Y080B12MP11	XAHC36D	0.96	0.89	1.07
TM8Y080B12MP11	XAUB36D	0.98	0.91	1.07
TM8Y080C16MP11	XAFC36D	1.03	0.93	1.10
TM8Y080C16MP11	XAFC36D	1.03	0.93	1.10
TM8Y080C16MP11	XAHC36D	1.01	0.91	1.10
TM8Y080C16MP11	XAHC36D	1.01	0.91	1.10
TM8Y100C16MP11	XAFC36D	1.03	0.93	1.10
TM8Y100C16MP11	XAFC36D	1.03	0.93	1.10
TM8Y100C16MP11	XAHC36D	1.01	0.91	1.10
TM8Y100C16MP11	XAHC36D	1.01	0.91	1.10
TM9E026A08MP12	CF36A	1.03	0.88	1.16
TM9E026A08MP12	CF36B	1.02	0.89	1.15
TM9E026A08MP12	CF36B	1.02	0.89	1.15
TM9E026A08MP12	CM36A	1.03	0.88	1.16
TM9E026A08MP12	CM36B	1.02	0.89	1.15
TM9E026A08MP12	CM36B	1.02	0.89	1.15
TM9E026A08MP12	CU36B	1.02	0.89	1.15
TM9E026A08MP12	XAFA30D	1.00	0.87	1.14
TM9E026A08MP12	XAFA30D	1.00	0.87	1.14
TM9E026A08MP12	XAFB36D	1.00	0.87	1.14
TM9E026A08MP12	XAFB36D	1.00	0.87	1.14
TM9E026A08MP12	XAHB36D	0.98	0.85	1.15
TM9E026A08MP12	XAHB36D	0.98	0.85	1.15
TM9E026A08MP12	XAUB36D	1.00	0.87	1.14
TM9E040A10MP12	CF36A	1.02	0.89	1.14
TM9E040A10MP12	CF36B	1.01	0.90	1.12
TM9E040A10MP12	CF36B	1.01	0.90	1.12
TM9E040A10MP12	CM36A	1.02	0.89	1.14
TM9E040A10MP12	CM36B	1.01	0.90	1.12
TM9E040A10MP12	CM36B	1.01	0.90	1.12
TM9E040A10MP12	CU36B	1.01	0.90	1.12
TM9E040A10MP12	XAFA30D	0.99	0.87	1.13
TM9E040A10MP12	XAFA30D	0.99	0.87	1.13
TM9E040A10MP12	XAFB36D	1.00	0.87	1.14
TM9E040A10MP12	XAFB36D	1.00	0.87	1.14
TM9E040A10MP12	XAHB36D	0.98	0.86	1.14
TM9E040A10MP12	XAHB36D	0.98	0.86	1.14
TM9E040A10MP12	XAUB36D	1.00	0.87	1.14
TM9E060A10MP12	CF36A	1.02	0.90	1.13
TM9E060A10MP12	CM36A	1.02	0.90	1.13
TM9E060A10MP12	XAFA30D	0.99	0.89	1.11
TM9E060A10MP12	XAFA30D	0.99	0.89	1.11
TM9E060A10MP12	XAFB36D	1.00	0.89	1.12

**Table 19: Heat multiplier furnace - 2 ton**

Furnace model	Indoor coil model	MBH	Cop	kW
TM9E060A10MP12	XAFB36D	1.00	0.89	1.12
TM9E060A10MP12	XAHB36D	0.97	0.87	1.11
TM9E060A10MP12	XAHB36D	0.97	0.87	1.11
TM9E060A10MP12	XAUB36D	1.00	0.89	1.12
TM9E060B12MP12	XAFB36D	1.00	0.89	1.12
TM9E060B12MP12	XAFB36D	1.00	0.89	1.12
TM9E060B12MP12	XAFC36D	1.00	0.89	1.12
TM9E060B12MP12	XAFC36D	1.00	0.89	1.12
TM9E060B12MP12	XAHB36D	0.98	0.86	1.14
TM9E060B12MP12	XAHB36D	0.98	0.86	1.14
TM9E060B12MP12	XAHC36D	0.98	0.87	1.13
TM9E060B12MP12	XAHC36D	0.98	0.87	1.13
TM9E060B12MP12	XAUB36D	1.00	0.89	1.12
TM9E080B12MP12	XAFB36D	1.00	0.89	1.12
TM9E080B12MP12	XAFB36D	1.00	0.89	1.12
TM9E080B12MP12	XAFC36D	1.00	0.90	1.11
TM9E080B12MP12	XAFC36D	1.00	0.90	1.11
TM9E080B12MP12	XAHB36D	0.97	0.87	1.11
TM9E080B12MP12	XAHB36D	0.97	0.87	1.11
TM9E080B12MP12	XAHC36D	0.97	0.88	1.11
TM9E080B12MP12	XAHC36D	0.97	0.88	1.11
TM9E080B12MP12	XAUB36D	1.00	0.89	1.12
TM9E080C16MP12	XAFC36D	1.03	0.94	1.10
TM9E080C16MP12	XAFC36D	1.03	0.94	1.10
TM9E080C16MP12	XAHC36D	1.01	0.92	1.10
TM9E080C16MP12	XAHC36D	1.01	0.92	1.10
TM9E100C16MP12	XAFC36D	1.03	0.93	1.10
TM9E100C16MP12	XAFC36D	1.03	0.93	1.10
TM9E100C16MP12	XAHC36D	1.01	0.91	1.10
TM9E100C16MP12	XAHC36D	1.01	0.91	1.10
TM9V040A10MP12C	CF36A	1.02	0.88	1.15
TM9V040A10MP12C	CF36B	1.02	0.89	1.15
TM9V040A10MP12C	CF36B	1.02	0.89	1.15
TM9V040A10MP12C	CM36A	1.02	0.88	1.15
TM9V040A10MP12C	CM36B	1.02	0.89	1.15
TM9V040A10MP12C	CM36B	1.02	0.89	1.15
TM9V040A10MP12C	CU36B	1.02	0.89	1.15
TM9V040A10MP12C	XAFA30D	1.00	0.87	1.15
TM9V040A10MP12C	XAFA30D	1.00	0.87	1.15
TM9V040A10MP12C	XAFB36D	1.00	0.88	1.13
TM9V040A10MP12C	XAFB36D	1.00	0.88	1.13
TM9V040A10MP12C	XAHB36D	0.99	0.85	1.15
TM9V040A10MP12C	XAHB36D	0.99	0.85	1.15
TM9V040A10MP12C	XAUB36D	1.00	0.88	1.13
TM9V060B12MP12C	CF36B	1.01	0.91	1.11
TM9V060B12MP12C	CF36B	1.01	0.91	1.11
TM9V060B12MP12C	CF36C	1.00	0.91	1.10
TM9V060B12MP12C	CM36B	1.01	0.91	1.11
TM9V060B12MP12C	CM36B	1.01	0.91	1.11
TM9V060B12MP12C	CM36C	1.00	0.91	1.10
TM9V060B12MP12C	CU36B	1.01	0.91	1.11
TM9V060B12MP12C	CU36C	1.00	0.91	1.10
TM9V060B12MP12C	CU36C	1.00	0.91	1.10

**Table 19: Heat multiplier furnace - 2 ton**

Furnace model	Indoor coil model	MBH	Cop	kW
TM9V060B12MP12C	XAFB36D	0.99	0.89	1.10
TM9V060B12MP12C	XAFB36D	0.99	0.89	1.10
TM9V060B12MP12C	XAFC36D	0.99	0.90	1.09
TM9V060B12MP12C	XAFC36D	0.99	0.90	1.09
TM9V060B12MP12C	XAHB36D	0.98	0.87	1.12
TM9V060B12MP12C	XAHB36D	0.98	0.87	1.12
TM9V060B12MP12C	XAHC36D	0.97	0.88	1.10
TM9V060B12MP12C	XAHC36D	0.97	0.88	1.10
TM9V060B12MP12C	XAUB36D	0.99	0.89	1.10
TM9V080B12MP12C	CF36B	1.01	0.92	1.09
TM9V080B12MP12C	CF36B	1.01	0.92	1.09
TM9V080B12MP12C	CF36C	1.00	0.92	1.08
TM9V080B12MP12C	CM36B	1.01	0.92	1.09
TM9V080B12MP12C	CM36B	1.01	0.92	1.09
TM9V080B12MP12C	CM36C	1.00	0.92	1.08
TM9V080B12MP12C	CU36B	1.01	0.92	1.09
TM9V080B12MP12C	CU36C	1.00	0.92	1.08
TM9V080B12MP12C	CU36C	1.00	0.92	1.08
TM9V080B12MP12C	XAFB36D	0.98	0.90	1.08
TM9V080B12MP12C	XAFB36D	0.98	0.90	1.08
TM9V080B12MP12C	XAFC36D	0.98	0.91	1.07
TM9V080B12MP12C	XAFC36D	0.98	0.91	1.07
TM9V080B12MP12C	XAHB36D	0.96	0.88	1.09
TM9V080B12MP12C	XAHB36D	0.96	0.88	1.09
TM9V080B12MP12C	XAHC36D	0.96	0.89	1.08
TM9V080B12MP12C	XAHC36D	0.96	0.89	1.08
TM9V080B12MP12C	XAUB36D	0.98	0.90	1.08
TM9Y040A10MP11	XAFA30D	0.99	0.87	1.13
TM9Y040A10MP11	XAFA30D	0.99	0.87	1.13
TM9Y040A10MP11	XAFB36D	1.00	0.88	1.13
TM9Y040A10MP11	XAFB36D	1.00	0.88	1.13
TM9Y040A10MP11	XAHB36D	0.97	0.86	1.13
TM9Y040A10MP11	XAHB36D	0.97	0.86	1.13
TM9Y040A10MP11	XAUB36D	1.00	0.88	1.13
TM9Y060B12MP11	CF36B	1.01	0.91	1.11
TM9Y060B12MP11	CF36B	1.01	0.91	1.11
TM9Y060B12MP11	CF36C	1.01	0.91	1.11
TM9Y060B12MP11	CM36B	1.01	0.91	1.11
TM9Y060B12MP11	CM36B	1.01	0.91	1.11
TM9Y060B12MP11	CM36C	1.01	0.91	1.11
TM9Y060B12MP11	CU36B	1.01	0.91	1.11
TM9Y060B12MP11	CU36C	1.01	0.91	1.11
TM9Y060B12MP11	CU36C	1.01	0.91	1.11
TM9Y060B12MP11	XAFB36D	0.99	0.89	1.11
TM9Y060B12MP11	XAFB36D	0.99	0.89	1.11
TM9Y060B12MP11	XAFC36D	0.99	0.89	1.11
TM9Y060B12MP11	XAFC36D	0.99	0.89	1.11
TM9Y060B12MP11	XAHB36D	0.97	0.87	1.10
TM9Y060B12MP11	XAHB36D	0.97	0.87	1.10
TM9Y060B12MP11	XAHC36D	0.97	0.87	1.11
TM9Y060B12MP11	XAHC36D	0.97	0.87	1.11
TM9Y060B12MP11	XAUB36D	0.99	0.89	1.11
TM9Y080B12MP11	XAFB36D	0.99	0.90	1.09

**Table 19: Heat multiplier furnace - 2 ton**

Furnace model	Indoor coil model	MBH	Cop	kW
TM9Y080B12MP11	XAFB36D	0.99	0.90	1.09
TM9Y080B12MP11	XAFC36D	1.04	0.92	1.12
TM9Y080B12MP11	XAFC36D	1.04	0.92	1.12
TM9Y080B12MP11	XAHB36D	0.97	0.87	1.11
TM9Y080B12MP11	XAHB36D	0.97	0.87	1.11
TM9Y080B12MP11	XAHC36D	1.02	0.91	1.12
TM9Y080B12MP11	XAHC36D	1.02	0.91	1.12
TM9Y080B12MP11	XAUB36D	0.99	0.90	1.09
TM9Y080C16MP11	XAFC36D	1.04	0.92	1.12
TM9Y080C16MP11	XAFC36D	1.04	0.92	1.12
TM9Y080C16MP11	XAHC36D	1.02	0.91	1.12
TM9Y080C16MP11	XAHC36D	1.02	0.91	1.12
TM9Y100C16MP11	XAFC36D	1.04	0.92	1.12
TM9Y100C16MP11	XAFC36D	1.04	0.92	1.12
TM9Y100C16MP11	XAHC36D	1.01	0.91	1.11
TM9Y100C16MP11	XAHC36D	1.01	0.91	1.11
TMLE040A12MP11	CF36A	1.00	0.91	1.09
TMLE040A12MP11	CM36A	1.00	0.91	1.09
TMLE040A12MP11	XAFA30D	0.98	0.90	1.09
TMLE040A12MP11	XAFA30D	0.98	0.90	1.09
TMLE040A12MP11	XAFB36D	0.99	0.91	1.09
TMLE040A12MP11	XAFB36D	0.99	0.91	1.09
TMLE040A12MP11	XAHB36D	0.97	0.88	1.09
TMLE040A12MP11	XAHB36D	0.97	0.88	1.09
TMLE040A12MP11	XAUB36D	0.99	0.91	1.09
TMLE060A12MP11	XAFA30D	0.98	0.90	1.09
TMLE060A12MP11	XAFA30D	0.98	0.90	1.09
TMLE060A12MP11	XAFB36D	0.99	0.91	1.09
TMLE060A12MP11	XAFB36D	0.99	0.91	1.09
TMLE060A12MP11	XAHB36D	0.96	0.88	1.09
TMLE060A12MP11	XAHB36D	0.96	0.88	1.09
TMLE060A12MP11	XAUB36D	0.99	0.91	1.09
TMLE080B12MP11	XAFB36D	0.99	0.90	1.09
TMLE080B12MP11	XAFB36D	0.99	0.90	1.09
TMLE080B12MP11	XAFC36D	0.99	0.90	1.10
TMLE080B12MP11	XAFC36D	0.99	0.90	1.10
TMLE080B12MP11	XAHB36D	0.97	0.88	1.10
TMLE080B12MP11	XAHB36D	0.97	0.88	1.10
TMLE080B12MP11	XAHC36D	0.97	0.88	1.09
TMLE080B12MP11	XAHC36D	0.97	0.88	1.09
TMLE080B12MP11	XAUB36D	0.99	0.90	1.09
TMLE080C16MP11	XAFC36D	1.04	0.91	1.14
TMLE080C16MP11	XAFC36D	1.04	0.91	1.14
TMLE080C16MP11	XAHC36D	1.01	0.91	1.10
TMLE080C16MP11	XAHC36D	1.01	0.91	1.10
TMLE100B12MP11	XAFB36D	1.03	0.93	1.11
TMLE100B12MP11	XAFB36D	1.03	0.93	1.11
TMLE100B12MP11	XAFC36D	0.98	0.91	1.07
TMLE100B12MP11	XAFC36D	0.98	0.91	1.07
TMLE100B12MP11	XAHB36D	1.01	0.93	1.09
TMLE100B12MP11	XAHB36D	1.01	0.93	1.09
TMLE100B12MP11	XAHC36D	0.96	0.89	1.07
TMLE100B12MP11	XAHC36D	0.96	0.89	1.07

**Table 19: Heat multiplier furnace - 2 ton**

Furnace model	Indoor coil model	MBH	Cop	kW
TMLE100B12MP11	XAUB36D	1.03	0.93	1.11
TMLE100C16MP11	XAFC36D	1.03	0.94	1.09
TMLE100C16MP11	XAFC36D	1.03	0.94	1.09
TMLE100C16MP11	XAHC36D	1.01	0.92	1.10
TMLE100C16MP11	XAHC36D	1.01	0.92	1.10
TMLE120C16MP11	XAFC36D	1.03	0.94	1.09
TMLE120C16MP11	XAFC36D	1.03	0.94	1.09
TMLE120C16MP11	XAHC36D	1.01	0.92	1.09
TMLE120C16MP11	XAHC36D	1.01	0.92	1.09
TMLV060A12MP12C	CF36A	1.00	0.92	1.08
TMLV060A12MP12C	CF36B	0.99	0.92	1.07
TMLV060A12MP12C	CF36B	0.99	0.92	1.07
TMLV060A12MP12C	CM36A	1.00	0.92	1.08
TMLV060A12MP12C	CM36B	0.99	0.92	1.07
TMLV060A12MP12C	CM36B	0.99	0.92	1.07
TMLV060A12MP12C	CU36B	0.99	0.92	1.07
TMLV100C16MP12C	CF36C	1.00	0.93	1.08
TMLV100C16MP12C	CM36C	1.00	0.93	1.08
TMLV100C16MP12C	CU36C	1.00	0.93	1.08
TMLV100C16MP12C	CU36C	1.00	0.93	1.08
TP9C060B12MP13C	CF36B	1.01	0.91	1.11
TP9C060B12MP13C	CF36B	1.01	0.91	1.11
TP9C060B12MP13C	CF36C	1.00	0.91	1.10
TP9C060B12MP13C	CM36B	1.01	0.91	1.11
TP9C060B12MP13C	CM36B	1.01	0.91	1.11
TP9C060B12MP13C	CM36C	1.00	0.91	1.10
TP9C060B12MP13C	CU36B	1.01	0.91	1.11
TP9C060B12MP13C	CU36C	1.00	0.91	1.10
TP9C060B12MP13C	CU36C	1.00	0.91	1.10
TP9C060B12MP13C	XAFB36D	0.99	0.89	1.10
TP9C060B12MP13C	XAFB36D	0.99	0.89	1.10
TP9C060B12MP13C	XAFC36D	0.99	0.90	1.09
TP9C060B12MP13C	XAFC36D	0.99	0.90	1.09
TP9C060B12MP13C	XAHB36D	0.98	0.87	1.12
TP9C060B12MP13C	XAHB36D	0.98	0.87	1.12
TP9C060B12MP13C	XAHC36D	0.97	0.88	1.10
TP9C060B12MP13C	XAHC36D	0.97	0.88	1.10
TP9C060B12MP13C	XAUB36D	0.99	0.89	1.10
TP9C080B12MP13C	CF36B	1.01	0.92	1.09
TP9C080B12MP13C	CF36B	1.01	0.92	1.09
TP9C080B12MP13C	CF36C	1.00	0.92	1.08
TP9C080B12MP13C	CM36B	1.01	0.92	1.09
TP9C080B12MP13C	CM36B	1.01	0.92	1.09
TP9C080B12MP13C	CM36C	1.00	0.92	1.08
TP9C080B12MP13C	CU36B	1.01	0.92	1.09
TP9C080B12MP13C	CU36C	1.00	0.92	1.08
TP9C080B12MP13C	CU36C	1.00	0.92	1.08
TP9C080B12MP13C	XAFB36D	0.98	0.90	1.08
TP9C080B12MP13C	XAFB36D	0.98	0.90	1.08
TP9C080B12MP13C	XAFC36D	0.98	0.91	1.07
TP9C080B12MP13C	XAFC36D	0.98	0.91	1.07
TP9C080B12MP13C	XAHB36D	0.96	0.88	1.09
TP9C080B12MP13C	XAHB36D	0.96	0.88	1.09

**Table 19: Heat multiplier furnace - 2 ton**

Furnace model	Indoor coil model	MBH	Cop	kW
TP9C080B12MP13C	XAHC36D	0.96	0.89	1.08
TP9C080B12MP13C	XAHC36D	0.96	0.89	1.08
TP9C080B12MP13C	XAUB36D	0.98	0.90	1.08
TPLC060A12MP13C	CF36A	1.00	0.92	1.08
TPLC060A12MP13C	CF36B	0.99	0.92	1.07
TPLC060A12MP13C	CF36B	0.99	0.92	1.07
TPLC060A12MP13C	CM36A	1.00	0.92	1.08
TPLC060A12MP13C	CM36B	0.99	0.92	1.07
TPLC060A12MP13C	CM36B	0.99	0.92	1.07
TPLC060A12MP13C	CU36B	0.99	0.92	1.07
TPLC080B12MP13C	CF36B	1.00	0.91	1.09
TPLC080B12MP13C	CF36B	1.00	0.91	1.09
TPLC080B12MP13C	CF36C	1.00	0.91	1.09
TPLC080B12MP13C	CM36B	1.00	0.91	1.09
TPLC080B12MP13C	CM36B	1.00	0.91	1.09
TPLC080B12MP13C	CM36C	1.00	0.91	1.09
TPLC080B12MP13C	CU36B	1.00	0.91	1.09
TPLC080B12MP13C	CU36C	1.00	0.91	1.09
TPLC080B12MP13C	CU36C	1.00	0.91	1.09
TPLC080B12MP13C	XAFB36D	0.98	0.90	1.09
TPLC080B12MP13C	XAFB36D	0.98	0.90	1.09
TPLC080B12MP13C	XAFC36D	0.98	0.90	1.09
TPLC080B12MP13C	XAFC36D	0.98	0.90	1.09
TPLC080B12MP13C	XAHB36D	0.97	0.88	1.09
TPLC080B12MP13C	XAHB36D	0.97	0.88	1.09
TPLC080B12MP13C	XAHC36D	0.97	0.88	1.09
TPLC080B12MP13C	XAHC36D	0.97	0.88	1.09
TPLC080B12MP13C	XAUB36D	0.98	0.90	1.09
TPLC080C16MP13C	CF36C	1.00	0.93	1.08
TPLC080C16MP13C	CM36C	1.00	0.93	1.08
TPLC080C16MP13C	CU36C	1.00	0.93	1.08
TPLC080C16MP13C	CU36C	1.00	0.93	1.08
TPLC100C16MP13C	CF36C	1.00	0.93	1.08
TPLC100C16MP13C	CM36C	1.00	0.93	1.08
TPLC100C16MP13C	CU36C	1.00	0.93	1.08
TPLC100C16MP13C	CU36C	1.00	0.93	1.08
YP9C060B12MP13C	CF36B	1.01	0.91	1.11
YP9C060B12MP13C	CF36B	1.01	0.91	1.11
YP9C060B12MP13C	CF36C	1.00	0.91	1.10
YP9C060B12MP13C	CM36B	1.01	0.91	1.11
YP9C060B12MP13C	CM36B	1.01	0.91	1.11
YP9C060B12MP13C	CM36C	1.00	0.91	1.10
YP9C060B12MP13C	CU36B	1.01	0.91	1.11
YP9C060B12MP13C	CU36C	1.00	0.91	1.10
YP9C060B12MP13C	CU36C	1.00	0.91	1.10
YP9C060B12MP13C	XAFB36D	0.99	0.89	1.10
YP9C060B12MP13C	XAFB36D	0.99	0.89	1.10
YP9C060B12MP13C	XAFC36D	0.99	0.90	1.09
YP9C060B12MP13C	XAFC36D	0.99	0.90	1.09
YP9C060B12MP13C	XAHB36D	0.98	0.87	1.12
YP9C060B12MP13C	XAHB36D	0.98	0.87	1.12
YP9C060B12MP13C	XAHC36D	0.97	0.88	1.10
YP9C060B12MP13C	XAHC36D	0.97	0.88	1.10

**Table 19: Heat multiplier furnace - 2 ton**

Furnace model	Indoor coil model	MBH	Cop	kW
YP9C060B12MP13C	XAUB36D	0.99	0.89	1.10
YP9C080B12MP13C	CF36B	1.01	0.92	1.09
YP9C080B12MP13C	CF36B	1.01	0.92	1.09
YP9C080B12MP13C	CF36C	1.00	0.92	1.08
YP9C080B12MP13C	CM36B	1.01	0.92	1.09
YP9C080B12MP13C	CM36B	1.01	0.92	1.09
YP9C080B12MP13C	CM36C	1.00	0.92	1.08
YP9C080B12MP13C	CU36B	1.01	0.92	1.09
YP9C080B12MP13C	CU36C	1.00	0.92	1.08
YP9C080B12MP13C	CU36C	1.00	0.92	1.08
YP9C080B12MP13C	XAFB36D	0.98	0.90	1.08
YP9C080B12MP13C	XAFB36D	0.98	0.90	1.08
YP9C080B12MP13C	XAFC36D	0.98	0.91	1.07
YP9C080B12MP13C	XAFC36D	0.98	0.91	1.07
YP9C080B12MP13C	XAHB36D	0.96	0.88	1.09
YP9C080B12MP13C	XAHB36D	0.96	0.88	1.09
YP9C080B12MP13C	XAHC36D	0.96	0.89	1.08
YP9C080B12MP13C	XAHC36D	0.96	0.89	1.08
YP9C080B12MP13C	XAUB36D	0.98	0.90	1.08
YPLC060A12MP13C	CF36A	1.00	0.92	1.08
YPLC060A12MP13C	CF36B	0.99	0.92	1.07
YPLC060A12MP13C	CF36B	0.99	0.92	1.07
YPLC060A12MP13C	CM36A	1.00	0.92	1.08
YPLC060A12MP13C	CM36B	0.99	0.92	1.07
YPLC060A12MP13C	CM36B	0.99	0.92	1.07
YPLC060A12MP13C	CU36B	0.99	0.92	1.07
YPLC080B12MP13C	CF36B	1.00	0.91	1.09
YPLC080B12MP13C	CF36B	1.00	0.91	1.09
YPLC080B12MP13C	CF36C	1.00	0.91	1.09
YPLC080B12MP13C	CM36B	1.00	0.91	1.09
YPLC080B12MP13C	CM36B	1.00	0.91	1.09
YPLC080B12MP13C	CM36C	1.00	0.91	1.09
YPLC080B12MP13C	CU36B	1.00	0.91	1.09
YPLC080B12MP13C	CU36C	1.00	0.91	1.09
YPLC080B12MP13C	CU36C	1.00	0.91	1.09
YPLC080B12MP13C	XAFB36D	0.98	0.90	1.09
YPLC080B12MP13C	XAFB36D	0.98	0.90	1.09
YPLC080B12MP13C	XAFC36D	0.98	0.90	1.09
YPLC080B12MP13C	XAFC36D	0.98	0.90	1.09
YPLC080B12MP13C	XAHB36D	0.97	0.88	1.09
YPLC080B12MP13C	XAHB36D	0.97	0.88	1.09
YPLC080B12MP13C	XAHC36D	0.97	0.88	1.09
YPLC080B12MP13C	XAHC36D	0.97	0.88	1.09
YPLC080B12MP13C	XAUB36D	0.98	0.90	1.09
YPLC080C16MP13C	CF36C	1.00	0.93	1.08
YPLC080C16MP13C	CM36C	1.00	0.93	1.08
YPLC080C16MP13C	CU36C	1.00	0.93	1.08
YPLC080C16MP13C	CU36C	1.00	0.93	1.08
YPLC100C16MP13C	CF36C	1.00	0.93	1.08
YPLC100C16MP13C	CM36C	1.00	0.93	1.08
YPLC100C16MP13C	CU36C	1.00	0.93	1.08
YPLC100C16MP13C	CU36C	1.00	0.93	1.08



## Performance data - 3 ton

### Cooling performance data - 3 ton (34k)

**Table 20: Cooling performance data - 3 ton (34k)**

Air temperature entering outdoor unit (°F)	Indoor CFM	900					1200					1500				
		Indoor dry bulb (°F)					Indoor dry bulb (°F)					Indoor dry bulb (°F)				
		80	80	75	80	80	80	80	75	80	80	80	80	75	80	80
		Indoor wet bulb (°F)					Indoor wet bulb (°F)					Indoor wet bulb (°F)				
		57	62	62	67	72	57	62	62	67	72	57	62	62	67	72
55	Total capacity	28.6	33.9	34.9	38.0	41.6	33.6	35.8	36.3	39.5	42.9	36.6	37.7	37.7	40.9	44.2
55	Sensible capacity	28.6	27.4	24.1	24.1	19.7	33.6	31.7	27.2	27.2	21.8	36.6	36.1	30.3	30.3	23.9
55	kW	1.78	2.11	2.12	2.14	2.17	2.21	2.21	2.22	2.24	2.27	2.30	2.32	2.33	2.35	2.37
65	Total capacity	28.1	32.6	33.4	36.4	39.9	32.5	34.3	34.7	37.7	41.1	35.2	36.1	36.0	39.1	42.2
65	Sensible capacity	28.1	27.0	23.5	23.5	19.1	32.5	31.2	26.6	26.6	21.3	35.2	35.4	29.8	29.8	23.4
65	kW	2.11	2.37	2.38	2.42	2.45	2.48	2.48	2.49	2.52	2.56	2.58	2.59	2.60	2.63	2.66
75	Total capacity	27.6	31.3	31.8	34.8	38.1	31.4	32.9	33.0	36.0	39.2	33.8	34.4	34.2	37.2	40.2
75	Sensible capacity	27.6	26.5	22.9	22.8	18.5	31.4	30.4	26.0	26.0	20.7	33.8	34.4	29.2	29.2	22.8
75	kW	2.43	2.63	2.64	2.69	2.74	2.75	2.75	2.76	2.81	2.85	2.85	2.87	2.87	2.92	2.96
85	Total capacity	27.2	30.0	30.3	33.2	36.4	30.2	31.4	31.4	34.3	37.3	32.4	32.8	32.5	35.4	38.3
85	Sensible capacity	27.2	25.9	22.2	22.2	17.9	30.2	29.4	25.4	25.3	20.0	32.4	32.8	28.5	28.5	22.2
85	kW	2.76	2.89	2.90	2.97	3.03	3.02	3.02	3.03	3.09	3.14	3.13	3.14	3.15	3.20	3.25
95	Total capacity	26.7	28.7	28.8	31.5	34.6	29.0	30.0	29.8	32.5	35.4	30.9	31.2	30.8	33.5	36.3
95	Sensible capacity	26.7	25.3	21.5	21.5	17.2	29.0	28.2	24.7	24.6	19.4	30.9	31.2	27.8	27.7	21.5
95	kW	3.08	3.16	3.17	3.25	3.31	3.29	3.29	3.29	3.37	3.43	3.41	3.42	3.42	3.49	3.55
105	Total capacity	26.2	27.4	27.3	29.9	32.9	27.8	28.5	28.2	30.8	33.6	29.5	29.5	29.0	31.6	34.3
105	Sensible capacity	26.2	24.7	20.8	20.7	16.5	27.8	27.1	23.9	23.8	18.6	29.5	29.5	27.0	26.9	20.8
105	kW	3.41	3.42	3.43	3.53	3.60	3.55	3.55	3.56	3.65	3.72	3.68	3.69	3.69	3.77	3.84
115	Total capacity	18.9	21.8	19.9	21.1	25.4	22.2	22.6	20.2	21.3	24.4	20.8	23.3	20.5	21.4	23.4
115	Sensible capacity	18.9	21.3	16.9	21.1	14.1	22.2	22.3	18.7	21.3	15.3	20.8	23.3	20.5	21.4	16.5
115	kW	2.55	3.05	2.71	2.64	2.90	3.10	3.10	2.82	2.74	2.94	2.78	3.16	2.92	2.84	2.98

## Multipliers for determining the performance with other indoor sections

### Cool multiplier air handler - 3 ton (34k)

**Table 21: Cool multiplier air handler - 3 ton (34k)**

Air handler model	Indoor coil model	Total capacity	Sensible capacity	kW
JHETB30DBAS2N1	—	0.98	0.97	1.09
JHETB36DBCS2N1	—	0.97	0.95	1.13
JHETC36DBCS2N1	—	0.97	0.96	1.1
JHETC42FBSC2N1	—	0.95	0.92	1.15
JHVTB36DBCC2N1	—	0.96	0.95	1.13
JHVTC36DBCC2N1	—	0.97	0.96	1.12
JHVTC42FBCC2N1	—	0.95	0.91	1.15
JMET12CS2N1A	XAFC48F	0.95	0.91	1.18
JMET12CS2N1A	XAHC48F	0.92	0.88	1.17
JMET12CS2N1A	XAUC48F	0.95	0.91	1.18

### Cool multiplier furnace - 3 ton (34k)

**Table 22: Cool multiplier furnace - 3 ton (34k)**

Furnace model	Indoor coil model	Total capacity	Sensible capacity	kW
TL8E060A12UH11	XAFA30D	0.96	0.94	1.15
TL8E060A12UH11	XAFB30C	0.92	0.92	1.12
TL8E060A12UH11	XAFB36D	0.96	0.95	1.15
TL8E060A12UH11	XAHB30C	0.90	0.9	1.12
TL8E060A12UH11	XAHB36D	0.94	0.92	1.15
TL8E060A12UH11	XAUB30C	0.92	0.92	1.12

**Table 22: Cool multiplier furnace - 3 ton (34k)**

Furnace model	Indoor coil model	Total capacity	Sensible capacity	kW
TL8E060A12UH11	XAUB36D	0.96	0.95	1.15
TL8E080C16UH11	XAFC30C	0.92	0.91	1.13
TL8E080C16UH11	XAFC36D	0.96	0.94	1.15
TL8E080C16UH11	XAFC48F	0.93	0.88	1.25
TL8E080C16UH11	XAFD48F	0.94	0.9	1.2
TL8E080C16UH11	XAHC30C	0.90	0.9	1.13
TL8E080C16UH11	XAHC36D	0.92	0.91	1.2
TL8E080C16UH11	XAHC48F	0.91	0.86	1.25
TL8E080C16UH11	XAHD48F	0.91	0.86	1.25
TL8E080C16UH11	XAUC48F	0.93	0.88	1.25
TL8E100C20UH11	XAFC30C	0.92	0.92	1.11
TL8E100C20UH11	XAFC36D	0.96	0.95	1.13
TL8E100C20UH11	XAFC48F	0.94	0.9	1.17
TL8E100C20UH11	XAFD48F	0.94	0.91	1.18
TL8E100C20UH11	XAHC30C	0.90	0.9	1.11
TL8E100C20UH11	XAHC36D	0.93	0.92	1.19
TL8E100C20UH11	XAHC48F	0.92	0.88	1.17
TL8E100C20UH11	XAHD48F	0.92	0.88	1.17
TL8E100C20UH11	XAUC48F	0.94	0.9	1.17
TL9E060B12UH11	XAFB30C	0.91	0.91	1.14
TL9E060B12UH11	XAFB36D	0.97	0.95	1.12
TL9E060B12UH11	XAFC30C	0.91	0.91	1.14
TL9E060B12UH11	XAFC36D	0.95	0.93	1.16
TL9E060B12UH11	XAFC48F	0.93	0.89	1.21
TL9E060B12UH11	XAHB30C	0.91	0.91	1.1
TL9E060B12UH11	XAHC30C	0.90	0.89	1.15
TL9E060B12UH11	XAHC36D	0.95	0.93	1.12
TL9E060B12UH11	XAHC48F	0.91	0.87	1.2
TL9E060B12UH11	XAUB30C	0.91	0.91	1.14
TL9E060B12UH11	XAUB36D	0.97	0.95	1.12
TL9E060B12UH11	XAUC48F	0.93	0.89	1.21
TL9E080C16UH11	XAFC30C	0.93	0.93	1.11
TL9E080C16UH11	XAFC36D	0.95	0.94	1.17
TL9E080C16UH11	XAFC48F	0.93	0.89	1.21
TL9E080C16UH11	XAFD48F	0.93	0.89	1.21
TL9E080C16UH11	XAHC30C	0.89	0.89	1.15
TL9E080C16UH11	XAHC36D	0.93	0.92	1.18
TL9E080C16UH11	XAHC48F	0.91	0.87	1.21
TL9E080C16UH11	XAHD48F	0.91	0.87	1.21
TL9E080C16UH11	XAUC48F	0.93	0.89	1.21
TL9E100C20UH11	XAFC30C	0.92	0.92	1.12
TL9E100C20UH11	XAFC36D	0.95	0.94	1.19
TL9E100C20UH11	XAFC48F	0.94	0.9	1.18
TL9E100C20UH11	XAFD48F	0.94	0.9	1.18
TL9E100C20UH11	XAHC30C	0.90	0.9	1.12
TL9E100C20UH11	XAHC36D	0.93	0.92	1.2
TL9E100C20UH11	XAHC48F	0.92	0.88	1.19
TL9E100C20UH11	XAHD48F	0.92	0.88	1.19
TL9E100C20UH11	XAUC48F	0.94	0.9	1.18
TM8E040A12MP11	XAFA30D	0.96	0.95	1.14
TM8E040A12MP11	XAFB30C	0.92	0.92	1.11
TM8E040A12MP11	XAFB36D	0.97	0.95	1.14
TM8E040A12MP11	XAHB30C	0.90	0.9	1.11

**Table 22: Cool multiplier furnace - 3 ton (34k)**

Furnace model	Indoor coil model	Total capacity	Sensible capacity	kW
TM8E040A12MP11	XAHB36D	0.94	0.92	1.14
TM8E040A12MP11	XAUB30C	0.92	0.92	1.11
TM8E040A12MP11	XAUB36D	0.97	0.95	1.14
TM8E060A12MP11	XAFA30D	0.96	0.94	1.15
TM8E060A12MP11	XAFB30C	0.92	0.92	1.12
TM8E060A12MP11	XAFB36D	0.96	0.94	1.14
TM8E060A12MP11	XAHB30C	0.90	0.9	1.12
TM8E060A12MP11	XAHB36D	0.94	0.92	1.15
TM8E060A12MP11	XAUB30C	0.92	0.92	1.12
TM8E060A12MP11	XAUB36D	0.96	0.94	1.14
TM8E080B12MP11	XAFB30C	0.91	0.9	1.15
TM8E080B12MP11	XAFB36D	0.95	0.93	1.18
TM8E080B12MP11	XAFC30C	0.91	0.9	1.15
TM8E080B12MP11	XAFC36D	0.95	0.93	1.18
TM8E080B12MP11	XAFC48F	0.94	0.9	1.19
TM8E080B12MP11	XAHB30C	0.89	0.88	1.16
TM8E080B12MP11	XAHB36D	0.94	0.92	1.15
TM8E080B12MP11	XAHC30C	0.89	0.89	1.16
TM8E080B12MP11	XAHC36D	0.94	0.92	1.15
TM8E080B12MP11	XAHC48F	0.91	0.86	1.22
TM8E080B12MP11	XAUB30C	0.91	0.9	1.15
TM8E080B12MP11	XAUB36D	0.95	0.93	1.18
TM8E080B12MP11	XAUC48F	0.94	0.9	1.19
TM8E080C16MP11	XAFC30C	0.93	0.93	1.1
TM8E080C16MP11	XAFC36D	0.97	0.95	1.12
TM8E080C16MP11	XAFC48F	0.94	0.91	1.16
TM8E080C16MP11	XAFD48F	0.94	0.91	1.16
TM8E080C16MP11	XAHC30C	0.91	0.91	1.1
TM8E080C16MP11	XAHC36D	0.95	0.94	1.13
TM8E080C16MP11	XAHC48F	0.92	0.88	1.16
TM8E080C16MP11	XAHD48F	0.92	0.89	1.16
TM8E080C16MP11	XAUC48F	0.94	0.91	1.16
TM8E100B12MP11	XAFB30C	0.92	0.92	1.11
TM8E100B12MP11	XAFB36D	0.96	0.95	1.14
TM8E100B12MP11	XAFC30C	0.92	0.92	1.11
TM8E100B12MP11	XAFC36D	0.96	0.95	1.14
TM8E100B12MP11	XAFC48F	0.94	0.9	1.18
TM8E100B12MP11	XAHB30C	0.90	0.9	1.12
TM8E100B12MP11	XAHB36D	0.94	0.92	1.14
TM8E100B12MP11	XAHC30C	0.90	0.9	1.11
TM8E100B12MP11	XAHC36D	0.94	0.92	1.14
TM8E100B12MP11	XAHC48F	0.91	0.88	1.17
TM8E100B12MP11	XAUB30C	0.92	0.92	1.11
TM8E100B12MP11	XAUB36D	0.96	0.95	1.14
TM8E100B12MP11	XAUC48F	0.94	0.9	1.18
TM8E100C16MP11	XAFC30C	0.93	0.93	1.1
TM8E100C16MP11	XAFC36D	0.96	0.95	1.13
TM8E100C16MP11	XAFC48F	0.94	0.91	1.17
TM8E100C16MP11	XAFD48F	0.94	0.9	1.16
TM8E100C16MP11	XAHC30C	0.90	0.9	1.1
TM8E100C16MP11	XAHC36D	0.95	0.93	1.13
TM8E100C16MP11	XAHC48F	0.92	0.89	1.16
TM8E100C16MP11	XAHD48F	0.92	0.88	1.16

**Table 22: Cool multiplier furnace - 3 ton (34k)**

Furnace model	Indoor coil model	Total capacity	Sensible capacity	kW
TM8E100C16MP11	XAUC48F	0.94	0.91	1.17
TM8E120C16MP11	XAFC30C	0.93	0.93	1.1
TM8E120C16MP11	XAFC36D	0.96	0.95	1.13
TM8E120C16MP11	XAFC48F	0.94	0.9	1.16
TM8E120C16MP11	XAFD48F	0.94	0.9	1.16
TM8E120C16MP11	XAHC30C	0.91	0.91	1.1
TM8E120C16MP11	XAHC36D	0.95	0.93	1.13
TM8E120C16MP11	XAHC48F	0.92	0.89	1.16
TM8E120C16MP11	XAHD48F	0.92	0.89	1.16
TM8E120C16MP11	XAUC48F	0.94	0.9	1.16
TM8V060A12MP12C	XAFA30D	0.95	0.93	1.19
TM8V060A12MP12C	XAFB30C	0.93	0.93	1.11
TM8V060A12MP12C	XAFB36D	0.96	0.94	1.16
TM8V060A12MP12C	XAHB30C	0.90	0.9	1.12
TM8V060A12MP12C	XAHB36D	0.93	0.92	1.18
TM8V060A12MP12C	XAUB30C	0.93	0.93	1.11
TM8V060A12MP12C	XAUB36D	0.96	0.94	1.16
TM8V080B12MP12C	XAFB30C	0.91	0.91	1.15
TM8V080B12MP12C	XAFB36D	0.96	0.94	1.15
TM8V080B12MP12C	XAFC30C	0.91	0.91	1.14
TM8V080B12MP12C	XAFC36D	0.95	0.93	1.17
TM8V080B12MP12C	XAFC48F	0.93	0.88	1.22
TM8V080B12MP12C	XAHB30C	0.90	0.9	1.13
TM8V080B12MP12C	XAHB36D	0.94	0.92	1.17
TM8V080B12MP12C	XAHC30C	0.90	0.89	1.15
TM8V080B12MP12C	XAHC36D	0.94	0.92	1.15
TM8V080B12MP12C	XAHC48F	0.91	0.87	1.22
TM8V080B12MP12C	XAUB30C	0.91	0.91	1.15
TM8V080B12MP12C	XAUB36D	0.96	0.94	1.15
TM8V080B12MP12C	XAUC48F	0.93	0.88	1.22
TM8V080C16MP12C	XAFC30C	0.92	0.91	1.12
TM8V080C16MP12C	XAFC36D	0.96	0.95	1.15
TM8V080C16MP12C	XAFC48F	0.93	0.88	1.24
TM8V080C16MP12C	XAFD48F	0.93	0.88	1.23
TM8V080C16MP12C	XAHC30C	0.91	0.91	1.11
TM8V080C16MP12C	XAHC36D	0.93	0.91	1.21
TM8V080C16MP12C	XAHC48F	0.91	0.86	1.23
TM8V080C16MP12C	XAHD48F	0.91	0.86	1.23
TM8V080C16MP12C	XAUC48F	0.93	0.88	1.24
TM8V100C16MP12C	XAFC30C	0.92	0.91	1.12
TM8V100C16MP12C	XAFC36D	0.96	0.95	1.15
TM8V100C16MP12C	XAFC48F	0.93	0.88	1.24
TM8V100C16MP12C	XAFD48F	0.93	0.88	1.23
TM8V100C16MP12C	XAHC30C	0.91	0.91	1.11
TM8V100C16MP12C	XAHC36D	0.93	0.91	1.21
TM8V100C16MP12C	XAHC48F	0.91	0.86	1.23
TM8V100C16MP12C	XAHD48F	0.91	0.86	1.23
TM8V100C16MP12C	XAUC48F	0.93	0.88	1.24
TM8V100C20MP12C	XAHC48F	0.91	0.87	1.22
TM8V120C20MP12C	XAHC48F	0.91	0.87	1.22
TM8Y060A12MP11	XAFA30D	0.96	0.95	1.13
TM8Y060A12MP11	XAFB30C	0.93	0.93	1.1
TM8Y060A12MP11	XAFB36D	0.97	0.95	1.13

**Table 22: Cool multiplier furnace - 3 ton (34k)**

Furnace model	Indoor coil model	Total capacity	Sensible capacity	kW
TM8Y060A12MP11	XAHB30C	0.91	0.91	1.11
TM8Y060A12MP11	XAHB36D	0.94	0.92	1.13
TM8Y060A12MP11	XAUB30C	0.93	0.93	1.1
TM8Y060A12MP11	XAUB36D	0.97	0.95	1.13
TM8Y080B12MP11	XAFB30C	0.93	0.93	1.11
TM8Y080B12MP11	XAFB36D	0.97	0.95	1.13
TM8Y080B12MP11	XAFC30C	0.93	0.93	1.11
TM8Y080B12MP11	XAFC36D	0.96	0.95	1.13
TM8Y080B12MP11	XAFC48F	0.94	0.91	1.17
TM8Y080B12MP11	XAHB30C	0.91	0.91	1.11
TM8Y080B12MP11	XAHB36D	0.94	0.92	1.13
TM8Y080B12MP11	XAHC30C	0.91	0.91	1.1
TM8Y080B12MP11	XAHC36D	0.94	0.93	1.13
TM8Y080B12MP11	XAHC48F	0.92	0.89	1.16
TM8Y080B12MP11	XAUB30C	0.93	0.93	1.11
TM8Y080B12MP11	XAUB36D	0.97	0.95	1.13
TM8Y080B12MP11	XAUC48F	0.94	0.91	1.17
TM8Y080C16MP11	XAFC30C	0.92	0.92	1.11
TM8Y080C16MP11	XAFC36D	0.96	0.95	1.14
TM8Y080C16MP11	XAFC48F	0.93	0.88	1.23
TM8Y080C16MP11	XAFD48F	0.93	0.88	1.23
TM8Y080C16MP11	XAHC30C	0.88	0.88	1.16
TM8Y080C16MP11	XAHC36D	0.93	0.92	1.19
TM8Y080C16MP11	XAHC48F	0.91	0.86	1.23
TM8Y080C16MP11	XAHD48F	0.91	0.86	1.23
TM8Y080C16MP11	XAUC48F	0.93	0.88	1.23
TM8Y100C16MP11	XAFC30C	0.92	0.92	1.11
TM8Y100C16MP11	XAFC36D	0.96	0.95	1.14
TM8Y100C16MP11	XAFC48F	0.93	0.88	1.23
TM8Y100C16MP11	XAFD48F	0.93	0.88	1.23
TM8Y100C16MP11	XAHC30C	0.88	0.88	1.16
TM8Y100C16MP11	XAHC36D	0.93	0.92	1.19
TM8Y100C16MP11	XAHC48F	0.91	0.86	1.23
TM8Y100C16MP11	XAHD48F	0.91	0.86	1.23
TM8Y100C16MP11	XAUC48F	0.93	0.88	1.23
TM8Y100C20MP11	XAFC30C	0.91	0.91	1.14
TM8Y100C20MP11	XAFC36D	0.96	0.95	1.13
TM8Y100C20MP11	XAFC48F	0.93	0.89	1.21
TM8Y100C20MP11	XAFD48F	0.94	0.89	1.21
TM8Y100C20MP11	XAHC30C	0.89	0.89	1.14
TM8Y100C20MP11	XAHC36D	0.93	0.92	1.17
TM8Y100C20MP11	XAHC48F	0.91	0.87	1.21
TM8Y100C20MP11	XAHD48F	0.91	0.87	1.21
TM8Y100C20MP11	XAUC48F	0.93	0.89	1.21
TM8Y120C20MP11	XAFC30C	0.91	0.91	1.14
TM8Y120C20MP11	XAFC36D	0.96	0.95	1.13
TM8Y120C20MP11	XAFC48F	0.93	0.89	1.21
TM8Y120C20MP11	XAFD48F	0.94	0.89	1.21
TM8Y120C20MP11	XAHC30C	0.89	0.89	1.14
TM8Y120C20MP11	XAHC36D	0.93	0.92	1.17
TM8Y120C20MP11	XAHC48F	0.91	0.87	1.21
TM8Y120C20MP11	XAHD48F	0.91	0.87	1.21
TM8Y120C20MP11	XAUC48F	0.93	0.89	1.21

**Table 22: Cool multiplier furnace - 3 ton (34k)**

Furnace model	Indoor coil model	Total capacity	Sensible capacity	kW
TM9E040A10MP12	XAFB30C	0.93	0.93	1.11
TM9E040A10MP12	XAUB30C	0.93	0.93	1.11
TM9E060A10MP12	XAFB30C	0.92	0.91	1.13
TM9E060A10MP12	XAFB36D	0.96	0.94	1.15
TM9E060A10MP12	XAHB30C	0.90	0.9	1.13
TM9E060A10MP12	XAHB36D	0.94	0.92	1.12
TM9E060A10MP12	XAUB30C	0.92	0.91	1.13
TM9E060A10MP12	XAUB36D	0.96	0.94	1.15
TM9E060B12MP12	XAFB30C	0.91	0.91	1.14
TM9E060B12MP12	XAFB36D	0.95	0.94	1.16
TM9E060B12MP12	XAFC30C	0.91	0.91	1.14
TM9E060B12MP12	XAFC36D	0.95	0.94	1.17
TM9E060B12MP12	XAFC48F	0.93	0.89	1.21
TM9E060B12MP12	XAHB30C	0.90	0.9	1.14
TM9E060B12MP12	XAHB36D	0.94	0.92	1.15
TM9E060B12MP12	XAHC30C	0.89	0.89	1.15
TM9E060B12MP12	XAHC36D	0.94	0.92	1.17
TM9E060B12MP12	XAHC48F	0.91	0.87	1.2
TM9E060B12MP12	XAUB30C	0.91	0.91	1.14
TM9E060B12MP12	XAUB36D	0.95	0.94	1.16
TM9E060B12MP12	XAUC48F	0.93	0.89	1.21
TM9E080B12MP12	XAFB30C	0.91	0.9	1.15
TM9E080B12MP12	XAFB36D	0.96	0.94	1.15
TM9E080B12MP12	XAFC30C	0.92	0.92	1.13
TM9E080B12MP12	XAFC36D	0.95	0.93	1.17
TM9E080B12MP12	XAFC48F	0.93	0.89	1.19
TM9E080B12MP12	XAHB30C	0.90	0.9	1.13
TM9E080B12MP12	XAHB36D	0.94	0.92	1.15
TM9E080B12MP12	XAHC30C	0.89	0.88	1.15
TM9E080B12MP12	XAHC36D	0.94	0.92	1.16
TM9E080B12MP12	XAHC48F	0.91	0.88	1.19
TM9E080B12MP12	XAUB30C	0.91	0.9	1.15
TM9E080B12MP12	XAUB36D	0.96	0.94	1.15
TM9E080B12MP12	XAUC48F	0.93	0.89	1.19
TM9E080C16MP12	XAFC30C	0.93	0.93	1.11
TM9E080C16MP12	XAFC36D	0.96	0.95	1.13
TM9E080C16MP12	XAFC48F	0.93	0.88	1.24
TM9E080C16MP12	XAFD48F	0.93	0.88	1.24
TM9E080C16MP12	XAHC30C	0.89	0.89	1.16
TM9E080C16MP12	XAHC36D	0.94	0.92	1.17
TM9E080C16MP12	XAHC48F	0.91	0.86	1.23
TM9E080C16MP12	XAHD48F	0.91	0.86	1.24
TM9E080C16MP12	XAUC48F	0.93	0.88	1.24
TM9E100C16MP12	XAFC30C	0.93	0.93	1.11
TM9E100C16MP12	XAFC36D	0.96	0.95	1.13
TM9E100C16MP12	XAFC48F	0.94	0.9	1.17
TM9E100C16MP12	XAFD48F	0.94	0.9	1.17
TM9E100C16MP12	XAHC30C	0.90	0.9	1.1
TM9E100C16MP12	XAHC36D	0.95	0.93	1.13
TM9E100C16MP12	XAHC48F	0.92	0.88	1.17
TM9E100C16MP12	XAHD48F	0.92	0.88	1.17
TM9E100C16MP12	XAUC48F	0.94	0.9	1.17
TM9E100C20MP12	XAHC36D	0.94	0.93	1.14

**Table 22: Cool multiplier furnace - 3 ton (34k)**

Furnace model	Indoor coil model	Total capacity	Sensible capacity	kW
TM9V040A10MP12C	XAFB30C	0.93	0.92	1.11
TM9V040A10MP12C	XAFB36D	0.96	0.94	1.14
TM9V040A10MP12C	XAHB30C	0.91	0.9	1.11
TM9V040A10MP12C	XAHB36D	0.94	0.92	1.14
TM9V040A10MP12C	XAUB30C	0.93	0.92	1.11
TM9V040A10MP12C	XAUB36D	0.96	0.94	1.14
TM9V060B12MP12C	XAFB30C	0.91	0.91	1.15
TM9V060B12MP12C	XAFB36D	0.95	0.93	1.17
TM9V060B12MP12C	XAFC30C	0.91	0.91	1.14
TM9V060B12MP12C	XAFC36D	0.95	0.94	1.18
TM9V060B12MP12C	XAFC48F	0.93	0.88	1.21
TM9V060B12MP12C	XAHB30C	0.90	0.9	1.13
TM9V060B12MP12C	XAHB36D	0.93	0.91	1.16
TM9V060B12MP12C	XAHC30C	0.89	0.89	1.15
TM9V060B12MP12C	XAHC36D	0.93	0.92	1.18
TM9V060B12MP12C	XAHC48F	0.91	0.87	1.2
TM9V060B12MP12C	XAUB30C	0.91	0.91	1.15
TM9V060B12MP12C	XAUB36D	0.95	0.93	1.17
TM9V060B12MP12C	XAUC48F	0.93	0.88	1.21
TM9V080B12MP12C	XAFB30C	0.91	0.91	1.15
TM9V080B12MP12C	XAFB36D	0.95	0.93	1.19
TM9V080B12MP12C	XAFC30C	0.91	0.91	1.15
TM9V080B12MP12C	XAFC36D	0.95	0.93	1.18
TM9V080B12MP12C	XAFC48F	0.93	0.88	1.21
TM9V080B12MP12C	XAHB30C	0.89	0.88	1.16
TM9V080B12MP12C	XAHB36D	0.93	0.92	1.17
TM9V080B12MP12C	XAHC30C	0.89	0.88	1.15
TM9V080B12MP12C	XAHC36D	0.93	0.92	1.15
TM9V080B12MP12C	XAHC48F	0.91	0.87	1.21
TM9V080B12MP12C	XAUB30C	0.91	0.91	1.15
TM9V080B12MP12C	XAUB36D	0.95	0.93	1.19
TM9V080B12MP12C	XAUC48F	0.93	0.88	1.21
TM9V080C16MP12C	XAFC30C	0.92	0.92	1.11
TM9V080C16MP12C	XAFC36D	0.96	0.95	1.14
TM9V080C16MP12C	XAFC48F	0.94	0.9	1.18
TM9V080C16MP12C	XAFD48F	0.94	0.9	1.18
TM9V080C16MP12C	XAHC30C	0.90	0.9	1.12
TM9V080C16MP12C	XAHC36D	0.94	0.92	1.15
TM9V080C16MP12C	XAHC48F	0.92	0.88	1.18
TM9V080C16MP12C	XAHD48F	0.91	0.88	1.17
TM9V080C16MP12C	XAUC48F	0.94	0.9	1.18
TM9V100C16MP12C	XAFC30C	0.92	0.92	1.12
TM9V100C16MP12C	XAFC36D	0.96	0.95	1.15
TM9V100C16MP12C	XAFC48F	0.94	0.9	1.18
TM9V100C16MP12C	XAFD48F	0.94	0.9	1.18
TM9V100C16MP12C	XAHC30C	0.90	0.9	1.12
TM9V100C16MP12C	XAHC36D	0.94	0.92	1.15
TM9V100C16MP12C	XAHC48F	0.92	0.88	1.17
TM9V100C16MP12C	XAHD48F	0.92	0.88	1.18
TM9V100C16MP12C	XAUC48F	0.94	0.9	1.18
TM9V100C20MP12C	XAFC30C	0.91	0.91	1.15
TM9V100C20MP12C	XAFC36D	0.95	0.93	1.19
TM9V100C20MP12C	XAFC48F	0.93	0.88	1.22

**Table 22: Cool multiplier furnace - 3 ton (34k)**

Furnace model	Indoor coil model	Total capacity	Sensible capacity	kW
TM9V100C20MP12C	XAFD48F	0.93	0.89	1.23
TM9V100C20MP12C	XAHC30C	0.89	0.89	1.17
TM9V100C20MP12C	XAHC48F	0.92	0.87	1.19
TM9V100C20MP12C	XAHD48F	0.91	0.87	1.22
TM9V100C20MP12C	XAUC48F	0.93	0.88	1.22
TM9V120D20MP12C	XAFD48F	0.94	0.9	1.18
TM9V120D20MP12C	XAHD48F	0.92	0.88	1.18
TM9Y060B12MP11	XAFB30C	0.92	0.91	1.14
TM9Y060B12MP11	XAFB36D	0.95	0.94	1.16
TM9Y060B12MP11	XAFC30C	0.91	0.91	1.14
TM9Y060B12MP11	XAFC36D	0.96	0.94	1.16
TM9Y060B12MP11	XAFC48F	0.93	0.89	1.21
TM9Y060B12MP11	XAHB30C	0.90	0.9	1.13
TM9Y060B12MP11	XAHB36D	0.94	0.92	1.15
TM9Y060B12MP11	XAHC30C	0.90	0.89	1.14
TM9Y060B12MP11	XAHC36D	0.94	0.92	1.16
TM9Y060B12MP11	XAHC48F	0.91	0.87	1.21
TM9Y060B12MP11	XAUB30C	0.92	0.91	1.14
TM9Y060B12MP11	XAUB36D	0.95	0.94	1.16
TM9Y060B12MP11	XAUC48F	0.93	0.89	1.21
TM9Y080B12MP11	XAFB30C	0.91	0.91	1.15
TM9Y080B12MP11	XAFB36D	0.95	0.94	1.17
TM9Y080B12MP11	XAFC30C	0.91	0.91	1.15
TM9Y080B12MP11	XAFC36D	0.95	0.94	1.17
TM9Y080B12MP11	XAFC48F	0.93	0.88	1.22
TM9Y080B12MP11	XAHB30C	0.89	0.89	1.15
TM9Y080B12MP11	XAHB36D	0.94	0.92	1.14
TM9Y080B12MP11	XAHC30C	0.89	0.89	1.15
TM9Y080B12MP11	XAHC36D	0.93	0.92	1.17
TM9Y080B12MP11	XAHC48F	0.91	0.86	1.22
TM9Y080B12MP11	XAUB30C	0.91	0.91	1.15
TM9Y080B12MP11	XAUB36D	0.95	0.94	1.17
TM9Y080B12MP11	XAUC48F	0.93	0.88	1.22
TM9Y080C16MP11	XAFC30C	0.91	0.91	1.15
TM9Y080C16MP11	XAFC36D	0.95	0.94	1.17
TM9Y080C16MP11	XAFC48F	0.93	0.89	1.21
TM9Y080C16MP11	XAFD48F	0.94	0.9	1.17
TM9Y080C16MP11	XAHC30C	0.89	0.89	1.15
TM9Y080C16MP11	XAHC36D	0.94	0.92	1.17
TM9Y080C16MP11	XAHC48F	0.91	0.87	1.22
TM9Y080C16MP11	XAHD48F	0.92	0.88	1.17
TM9Y080C16MP11	XAUC48F	0.93	0.89	1.21
TM9Y100C16MP11	XAFC30C	0.92	0.92	1.11
TM9Y100C16MP11	XAFC36D	0.95	0.94	1.18
TM9Y100C16MP11	XAFC48F	0.93	0.89	1.21
TM9Y100C16MP11	XAFD48F	0.94	0.91	1.17
TM9Y100C16MP11	XAHC30C	0.91	0.91	1.11
TM9Y100C16MP11	XAHC36D	0.94	0.92	1.18
TM9Y100C16MP11	XAHC48F	0.91	0.87	1.21
TM9Y100C16MP11	XAHD48F	0.91	0.87	1.22
TM9Y100C16MP11	XAUC48F	0.93	0.89	1.21
TM9Y100C20MP11	XAHC36D	0.93	0.92	1.19
TM9Y120D20MP11	XAFD48F	0.94	0.9	1.18



**Table 22: Cool multiplier furnace - 3 ton (34k)**

Furnace model	Indoor coil model	Total capacity	Sensible capacity	kW
TM9Y120D20MP11	XAHD48F	0.92	0.88	1.18
TMLE040A12MP11	XAFA30D	0.96	0.95	1.14
TMLE040A12MP11	XAFB30C	0.92	0.92	1.11
TMLE040A12MP11	XAFB36D	0.97	0.95	1.14
TMLE040A12MP11	XAHB30C	0.90	0.9	1.11
TMLE040A12MP11	XAHB36D	0.94	0.92	1.14
TMLE040A12MP11	XAUB30C	0.92	0.92	1.11
TMLE040A12MP11	XAUB36D	0.97	0.95	1.14
TMLE060A12MP11	XAFA30D	0.96	0.94	1.15
TMLE060A12MP11	XAFB30C	0.92	0.92	1.12
TMLE060A12MP11	XAFB36D	0.96	0.94	1.14
TMLE060A12MP11	XAHB30C	0.90	0.9	1.12
TMLE060A12MP11	XAHB36D	0.94	0.92	1.15
TMLE060A12MP11	XAUB30C	0.92	0.92	1.12
TMLE060A12MP11	XAUB36D	0.96	0.94	1.14
TMLE080B12MP11	XAFB30C	0.91	0.9	1.15
TMLE080B12MP11	XAFB36D	0.95	0.93	1.18
TMLE080B12MP11	XAFC30C	0.91	0.9	1.15
TMLE080B12MP11	XAFC36D	0.95	0.93	1.18
TMLE080B12MP11	XAFC48F	0.94	0.9	1.19
TMLE080B12MP11	XAHB30C	0.89	0.88	1.16
TMLE080B12MP11	XAHB36D	0.94	0.92	1.15
TMLE080B12MP11	XAHC30C	0.89	0.89	1.16
TMLE080B12MP11	XAHC36D	0.94	0.92	1.15
TMLE080B12MP11	XAHC48F	0.91	0.86	1.22
TMLE080B12MP11	XAUB30C	0.91	0.9	1.15
TMLE080B12MP11	XAUB36D	0.95	0.93	1.18
TMLE080B12MP11	XAUC48F	0.94	0.9	1.19
TMLE080C16MP11	XAFC30C	0.93	0.93	1.1
TMLE080C16MP11	XAFC36D	0.97	0.95	1.12
TMLE080C16MP11	XAFC48F	0.94	0.91	1.16
TMLE080C16MP11	XAFD48F	0.94	0.91	1.16
TMLE080C16MP11	XAHC30C	0.91	0.91	1.1
TMLE080C16MP11	XAHC36D	0.95	0.94	1.13
TMLE080C16MP11	XAHC48F	0.92	0.88	1.16
TMLE080C16MP11	XAHD48F	0.92	0.89	1.16
TMLE080C16MP11	XAUC48F	0.94	0.91	1.16
TMLE100B12MP11	XAFB30C	0.92	0.92	1.11
TMLE100B12MP11	XAFB36D	0.96	0.95	1.14
TMLE100B12MP11	XAFC30C	0.92	0.92	1.11
TMLE100B12MP11	XAFC36D	0.96	0.95	1.14
TMLE100B12MP11	XAFC48F	0.94	0.9	1.18
TMLE100B12MP11	XAHB30C	0.90	0.9	1.12
TMLE100B12MP11	XAHB36D	0.94	0.92	1.14
TMLE100B12MP11	XAHC30C	0.90	0.9	1.11
TMLE100B12MP11	XAHC36D	0.94	0.92	1.14
TMLE100B12MP11	XAHC48F	0.91	0.88	1.17
TMLE100B12MP11	XAUB30C	0.92	0.92	1.11
TMLE100B12MP11	XAUB36D	0.96	0.95	1.14
TMLE100B12MP11	XAUC48F	0.94	0.9	1.18
TMLE100C16MP11	XAFC30C	0.93	0.93	1.1
TMLE100C16MP11	XAFC36D	0.96	0.95	1.13
TMLE100C16MP11	XAFC48F	0.94	0.91	1.17

**Table 22: Cool multiplier furnace - 3 ton (34k)**

Furnace model	Indoor coil model	Total capacity	Sensible capacity	kW
TMLE100C16MP11	XAFD48F	0.94	0.9	1.16
TMLE100C16MP11	XAHC30C	0.90	0.9	1.1
TMLE100C16MP11	XAHC36D	0.95	0.93	1.13
TMLE100C16MP11	XAHC48F	0.92	0.89	1.16
TMLE100C16MP11	XAHD48F	0.92	0.88	1.16
TMLE100C16MP11	XAUC48F	0.94	0.91	1.17
TMLE120C16MP11	XAFC30C	0.93	0.93	1.1
TMLE120C16MP11	XAFC36D	0.96	0.95	1.13
TMLE120C16MP11	XAFC48F	0.94	0.9	1.16
TMLE120C16MP11	XAFD48F	0.94	0.9	1.16
TMLE120C16MP11	XAHC30C	0.91	0.91	1.1
TMLE120C16MP11	XAHC36D	0.95	0.93	1.13
TMLE120C16MP11	XAHC48F	0.92	0.89	1.16
TMLE120C16MP11	XAHD48F	0.92	0.89	1.16
TMLE120C16MP11	XAUC48F	0.94	0.9	1.16
TMLV060A12MP12C	XAFA30D	0.95	0.93	1.19
TMLV060A12MP12C	XAFB30C	0.93	0.93	1.11
TMLV060A12MP12C	XAFB36D	0.96	0.94	1.16
TMLV060A12MP12C	XAHB30C	0.90	0.9	1.12
TMLV060A12MP12C	XAHB36D	0.93	0.92	1.18
TMLV060A12MP12C	XAUB30C	0.93	0.93	1.11
TMLV060A12MP12C	XAUB36D	0.96	0.94	1.16
TMLV100C16MP12C	XAFC30C	0.92	0.91	1.12
TMLV100C16MP12C	XAFC36D	0.96	0.95	1.15
TMLV100C16MP12C	XAFC48F	0.93	0.88	1.24
TMLV100C16MP12C	XAFD48F	0.93	0.88	1.23
TMLV100C16MP12C	XAHC30C	0.91	0.91	1.11
TMLV100C16MP12C	XAHC36D	0.93	0.91	1.21
TMLV100C16MP12C	XAHC48F	0.91	0.86	1.23
TMLV100C16MP12C	XAHD48F	0.91	0.86	1.23
TMLV100C16MP12C	XAUC48F	0.93	0.88	1.24
TMLV120C20MP12C	XAHC48F	0.91	0.87	1.22
TP9C060B12MP13C	XAFB30C	0.91	0.91	1.15
TP9C060B12MP13C	XAFB36D	0.95	0.93	1.17
TP9C060B12MP13C	XAFC30C	0.91	0.91	1.14
TP9C060B12MP13C	XAFC36D	0.95	0.94	1.18
TP9C060B12MP13C	XAFC48F	0.93	0.88	1.21
TP9C060B12MP13C	XAHB30C	0.90	0.9	1.13
TP9C060B12MP13C	XAHB36D	0.93	0.91	1.16
TP9C060B12MP13C	XAHC30C	0.89	0.89	1.15
TP9C060B12MP13C	XAHC36D	0.93	0.92	1.18
TP9C060B12MP13C	XAHC48F	0.91	0.87	1.2
TP9C060B12MP13C	XAUB30C	0.91	0.91	1.15
TP9C060B12MP13C	XAUB36D	0.95	0.93	1.17
TP9C060B12MP13C	XAUC48F	0.93	0.88	1.21
TP9C080B12MP13C	XAFB30C	0.91	0.91	1.15
TP9C080B12MP13C	XAFB36D	0.95	0.93	1.19
TP9C080B12MP13C	XAFC30C	0.91	0.91	1.15
TP9C080B12MP13C	XAFC36D	0.95	0.93	1.18
TP9C080B12MP13C	XAFC48F	0.93	0.88	1.21
TP9C080B12MP13C	XAHB30C	0.89	0.88	1.16
TP9C080B12MP13C	XAHB36D	0.93	0.92	1.17
TP9C080B12MP13C	XAHC30C	0.89	0.88	1.15

**Table 22: Cool multiplier furnace - 3 ton (34k)**

Furnace model	Indoor coil model	Total capacity	Sensible capacity	kW
TP9C080B12MP13C	XAHC36D	0.93	0.92	1.15
TP9C080B12MP13C	XAHC48F	0.91	0.87	1.21
TP9C080B12MP13C	XAUB30C	0.91	0.91	1.15
TP9C080B12MP13C	XAUB36D	0.95	0.93	1.19
TP9C080B12MP13C	XAUC48F	0.93	0.88	1.21
TP9C080C16MP13C	XAFC30C	0.92	0.92	1.11
TP9C080C16MP13C	XAFC36D	0.96	0.95	1.14
TP9C080C16MP13C	XAFC48F	0.94	0.9	1.18
TP9C080C16MP13C	XAFD48F	0.94	0.9	1.18
TP9C080C16MP13C	XAHC30C	0.90	0.9	1.12
TP9C080C16MP13C	XAHC36D	0.94	0.92	1.15
TP9C080C16MP13C	XAHC48F	0.92	0.88	1.18
TP9C080C16MP13C	XAHD48F	0.91	0.88	1.17
TP9C080C16MP13C	XAUC48F	0.94	0.9	1.18
TP9C100C16MP13C	XAFC30C	0.92	0.92	1.12
TP9C100C16MP13C	XAFC36D	0.96	0.95	1.15
TP9C100C16MP13C	XAFC48F	0.94	0.9	1.18
TP9C100C16MP13C	XAFD48F	0.94	0.9	1.18
TP9C100C16MP13C	XAHC30C	0.90	0.9	1.12
TP9C100C16MP13C	XAHC36D	0.94	0.92	1.15
TP9C100C16MP13C	XAHC48F	0.92	0.88	1.17
TP9C100C16MP13C	XAHD48F	0.92	0.88	1.18
TP9C100C16MP13C	XAUC48F	0.94	0.9	1.18
TP9C100C20MP13C	XAFC30C	0.91	0.91	1.15
TP9C100C20MP13C	XAFC36D	0.95	0.93	1.19
TP9C100C20MP13C	XAFC48F	0.93	0.88	1.22
TP9C100C20MP13C	XAFD48F	0.93	0.89	1.23
TP9C100C20MP13C	XAHC30C	0.89	0.89	1.17
TP9C100C20MP13C	XAHC48F	0.92	0.87	1.19
TP9C100C20MP13C	XAHD48F	0.91	0.87	1.22
TP9C100C20MP13C	XAUC48F	0.93	0.88	1.22
TP9C120D20MP13C	XAFD48F	0.94	0.9	1.18
TP9C120D20MP13C	XAHD48F	0.92	0.88	1.18
TP9C120D20MP13C	XAFA30D	0.95	0.93	1.19
TP9C120D20MP13C	XAFB30C	0.93	0.93	1.11
TP9C120D20MP13C	XAFB36D	0.96	0.94	1.16
TP9C120D20MP13C	XAHB30C	0.90	0.9	1.12
TP9C120D20MP13C	XAHB36D	0.93	0.92	1.18
TP9C120D20MP13C	XAUB30C	0.93	0.93	1.11
TP9C120D20MP13C	XAUB36D	0.96	0.94	1.16
TP9C120D20MP13C	XAFB30C	0.91	0.91	1.15
TP9C120D20MP13C	XAFB36D	0.96	0.94	1.15
TP9C120D20MP13C	XAFC30C	0.91	0.91	1.14
TP9C120D20MP13C	XAFC36D	0.95	0.93	1.17
TP9C120D20MP13C	XAFC48F	0.93	0.88	1.22
TP9C120D20MP13C	XAHB30C	0.90	0.9	1.13
TP9C120D20MP13C	XAHB36D	0.94	0.92	1.17
TP9C120D20MP13C	XAHC30C	0.90	0.89	1.15
TP9C120D20MP13C	XAHC36D	0.94	0.92	1.15
TP9C120D20MP13C	XAHC48F	0.91	0.87	1.22
TP9C120D20MP13C	XAUB30C	0.91	0.91	1.15
TP9C120D20MP13C	XAUB36D	0.96	0.94	1.15
TP9C120D20MP13C	XAUC48F	0.93	0.88	1.22

**Table 22: Cool multiplier furnace - 3 ton (34k)**

Furnace model	Indoor coil model	Total capacity	Sensible capacity	kW
TPLC080C16MP13C	XAFC30C	0.92	0.91	1.12
TPLC080C16MP13C	XAFC36D	0.96	0.95	1.15
TPLC080C16MP13C	XAFC48F	0.93	0.88	1.24
TPLC080C16MP13C	XAFD48F	0.93	0.88	1.23
TPLC080C16MP13C	XAHC30C	0.91	0.91	1.11
TPLC080C16MP13C	XAHC36D	0.93	0.91	1.21
TPLC080C16MP13C	XAHC48F	0.91	0.86	1.23
TPLC080C16MP13C	XAHD48F	0.91	0.86	1.23
TPLC080C16MP13C	XAUC48F	0.93	0.88	1.24
TPLC100C16MP13C	XAFC30C	0.92	0.91	1.12
TPLC100C16MP13C	XAFC36D	0.96	0.95	1.15
TPLC100C16MP13C	XAFC48F	0.93	0.88	1.24
TPLC100C16MP13C	XAFD48F	0.93	0.88	1.23
TPLC100C16MP13C	XAHC30C	0.91	0.91	1.11
TPLC100C16MP13C	XAHC36D	0.93	0.91	1.21
TPLC100C16MP13C	XAHC48F	0.91	0.86	1.23
TPLC100C16MP13C	XAHD48F	0.91	0.86	1.23
TPLC100C16MP13C	XAUC48F	0.93	0.88	1.24
TPLC100C20MP13C	XAHC48F	0.91	0.87	1.22
TPLC120C20MP13C	XAHC48F	0.91	0.87	1.22
YP9C060B12MP13C	XAFB30C	0.91	0.91	1.15
YP9C060B12MP13C	XAFB36D	0.95	0.93	1.17
YP9C060B12MP13C	XAFC30C	0.91	0.91	1.14
YP9C060B12MP13C	XAFC36D	0.95	0.94	1.18
YP9C060B12MP13C	XAFC48F	0.93	0.88	1.21
YP9C060B12MP13C	XAHB30C	0.90	0.9	1.13
YP9C060B12MP13C	XAHB36D	0.93	0.91	1.16
YP9C060B12MP13C	XAHC30C	0.89	0.89	1.15
YP9C060B12MP13C	XAHC36D	0.93	0.92	1.18
YP9C060B12MP13C	XAHC48F	0.91	0.87	1.2
YP9C060B12MP13C	XAUB30C	0.91	0.91	1.15
YP9C060B12MP13C	XAUB36D	0.95	0.93	1.17
YP9C060B12MP13C	XAUC48F	0.93	0.88	1.21
YP9C080B12MP13C	XAFB30C	0.91	0.91	1.15
YP9C080B12MP13C	XAFB36D	0.95	0.93	1.19
YP9C080B12MP13C	XAFC30C	0.91	0.91	1.15
YP9C080B12MP13C	XAFC36D	0.95	0.93	1.18
YP9C080B12MP13C	XAFC48F	0.93	0.88	1.21
YP9C080B12MP13C	XAHB30C	0.89	0.88	1.16
YP9C080B12MP13C	XAHB36D	0.93	0.92	1.17
YP9C080B12MP13C	XAHC30C	0.89	0.88	1.15
YP9C080B12MP13C	XAHC36D	0.93	0.92	1.15
YP9C080B12MP13C	XAHC48F	0.91	0.87	1.21
YP9C080B12MP13C	XAUB30C	0.91	0.91	1.15
YP9C080B12MP13C	XAUB36D	0.95	0.93	1.19
YP9C080B12MP13C	XAUC48F	0.93	0.88	1.21
YP9C080C16MP13C	XAFC30C	0.92	0.92	1.11
YP9C080C16MP13C	XAFC36D	0.96	0.95	1.14
YP9C080C16MP13C	XAFC48F	0.94	0.9	1.18
YP9C080C16MP13C	XAFD48F	0.94	0.9	1.18
YP9C080C16MP13C	XAHC30C	0.90	0.9	1.12
YP9C080C16MP13C	XAHC36D	0.94	0.92	1.15
YP9C080C16MP13C	XAHC48F	0.92	0.88	1.18

**Table 22: Cool multiplier furnace - 3 ton (34k)**

Furnace model	Indoor coil model	Total capacity	Sensible capacity	kW
YP9C080C16MP13C	XAHD48F	0.91	0.88	1.17
YP9C080C16MP13C	XAUC48F	0.94	0.9	1.18
YP9C100C16MP13C	XAFC30C	0.92	0.92	1.12
YP9C100C16MP13C	XAFC36D	0.96	0.95	1.15
YP9C100C16MP13C	XAFC48F	0.94	0.9	1.18
YP9C100C16MP13C	XAFD48F	0.94	0.9	1.18
YP9C100C16MP13C	XAHC30C	0.90	0.9	1.12
YP9C100C16MP13C	XAHC36D	0.94	0.92	1.15
YP9C100C16MP13C	XAHC48F	0.92	0.88	1.17
YP9C100C16MP13C	XAHD48F	0.92	0.88	1.18
YP9C100C16MP13C	XAUC48F	0.94	0.9	1.18
YP9C100C20MP13C	XAFC30C	0.91	0.91	1.15
YP9C100C20MP13C	XAFC36D	0.95	0.93	1.19
YP9C100C20MP13C	XAFC48F	0.93	0.88	1.22
YP9C100C20MP13C	XAFD48F	0.93	0.89	1.23
YP9C100C20MP13C	XAHC30C	0.89	0.89	1.17
YP9C100C20MP13C	XAHC48F	0.92	0.87	1.19
YP9C100C20MP13C	XAHD48F	0.91	0.87	1.22
YP9C100C20MP13C	XAUC48F	0.93	0.88	1.22
YP9C120D20MP13C	XAFD48F	0.94	0.9	1.18
YP9C120D20MP13C	XAHD48F	0.92	0.88	1.18
YPLC060A12MP13C	XAFA30D	0.95	0.93	1.19
YPLC060A12MP13C	XAFB30C	0.93	0.93	1.11
YPLC060A12MP13C	XAFB36D	0.96	0.94	1.16
YPLC060A12MP13C	XAHB30C	0.90	0.9	1.12
YPLC060A12MP13C	XAHB36D	0.93	0.92	1.18
YPLC060A12MP13C	XAUB30C	0.93	0.93	1.11
YPLC060A12MP13C	XAUB36D	0.96	0.94	1.16
YPLC080B12MP13C	XAFB30C	0.91	0.91	1.15
YPLC080B12MP13C	XAFB36D	0.96	0.94	1.15
YPLC080B12MP13C	XAFC30C	0.91	0.91	1.14
YPLC080B12MP13C	XAFC36D	0.95	0.93	1.17
YPLC080B12MP13C	XAFC48F	0.93	0.88	1.22
YPLC080B12MP13C	XAHB30C	0.90	0.9	1.13
YPLC080B12MP13C	XAHB36D	0.94	0.92	1.17
YPLC080B12MP13C	XAHC30C	0.90	0.89	1.15
YPLC080B12MP13C	XAHC36D	0.94	0.92	1.15
YPLC080B12MP13C	XAHC48F	0.91	0.87	1.22
YPLC080B12MP13C	XAUB30C	0.91	0.91	1.15
YPLC080B12MP13C	XAUB36D	0.96	0.94	1.15
YPLC080B12MP13C	XAUC48F	0.93	0.88	1.22
YPLC080C16MP13C	XAFC30C	0.92	0.91	1.12
YPLC080C16MP13C	XAFC36D	0.96	0.95	1.15
YPLC080C16MP13C	XAFC48F	0.93	0.88	1.24
YPLC080C16MP13C	XAFD48F	0.93	0.88	1.23
YPLC080C16MP13C	XAHC30C	0.91	0.91	1.11
YPLC080C16MP13C	XAHC36D	0.93	0.91	1.21
YPLC080C16MP13C	XAHC48F	0.91	0.86	1.23
YPLC080C16MP13C	XAHD48F	0.91	0.86	1.23
YPLC080C16MP13C	XAUC48F	0.93	0.88	1.24
YPLC100C16MP13C	XAFC30C	0.92	0.91	1.12
YPLC100C16MP13C	XAFC36D	0.96	0.95	1.15
YPLC100C16MP13C	XAFC48F	0.93	0.88	1.24

**Table 22: Cool multiplier furnace - 3 ton (34k)**

Furnace model	Indoor coil model	Total capacity	Sensible capacity	kW
YPLC100C16MP13C	XAFD48F	0.93	0.88	1.23
YPLC100C16MP13C	XAHC30C	0.91	0.91	1.11
YPLC100C16MP13C	XAHC36D	0.93	0.91	1.21
YPLC100C16MP13C	XAHC48F	0.91	0.86	1.23
YPLC100C16MP13C	XAHD48F	0.91	0.86	1.23
YPLC100C16MP13C	XAUC48F	0.93	0.88	1.24
YPLC100C20MP13C	XAHC48F	0.91	0.87	1.22
YPLC120C20MP13C	XAHC48F	0.91	0.87	1.22

## Heating performance data - 3 ton (34k)

**Table 23: Heating performance data - 3 ton (34k)**

Air temperature entering outdoor unit (°F)	Air temperature entering indoor unit (°F)	900			1200			1500		
		MBH	COP	KW	MBH	COP	KW	MBH	COP	KW
60	60	38.90	3.78	3.01	40.80	4.10	2.92	42.70	4.43	2.83
60	70	36.60	3.27	3.28	37.60	3.49	3.16	38.70	3.71	3.05
60	80	36.10	3.00	3.52	38.10	3.26	3.42	40.10	3.54	3.32
47	60	34.00	3.52	2.84	35.80	3.78	2.78	37.60	4.05	2.72
47	70	32.30	3.07	3.08	33.10	3.24	3.00	34.00	3.41	2.92
47	80	31.60	2.81	3.30	33.30	3.02	3.23	35.00	3.25	3.16
40	60	31.40	3.36	2.74	33.10	3.59	2.70	34.80	3.83	2.66
40	70	29.90	2.95	2.97	30.70	3.09	2.91	31.50	3.23	2.85
40	80	29.20	2.69	3.18	30.80	2.88	3.13	32.30	3.07	3.08
30	60	27.70	3.12	2.60	29.30	3.31	2.59	30.80	3.50	2.58
30	70	26.60	2.76	2.82	27.20	2.86	2.79	27.90	2.97	2.75
30	80	25.80	2.52	3.01	27.10	2.66	2.98	28.40	2.81	2.95
17	60	22.90	2.76	2.42	24.30	2.90	2.45	25.60	3.04	2.47
17	70	22.30	2.49	2.62	22.70	2.54	2.62	23.20	2.59	2.62
17	80	21.40	2.25	2.79	22.30	2.34	2.79	23.30	2.44	2.79
10	60	20.30	2.55	2.33	21.60	2.66	2.37	22.90	2.77	2.42
10	70	19.90	2.32	2.52	20.30	2.35	2.53	20.60	2.37	2.55
10	80	19.00	2.09	2.67	19.70	2.15	2.69	20.50	2.22	2.71
0	60	16.50	2.21	2.19	17.70	2.29	2.26	18.90	2.37	2.33
0	70	16.60	2.06	2.36	16.80	2.05	2.41	17.00	2.04	2.45
0	80	15.60	1.83	2.49	16.10	1.85	2.54	16.60	1.88	2.59

## Multipliers for determining the performance with other indoor sections

### Heat multiplier air handler - 3 ton (34k)

**Table 24: Heat multiplier air handler - 3 ton (34k)**

Air handler model	Indoor coil model	MBH	Cop	kW
JHETB30DBAS2N1	—	1.12	0.86	1.30
JHETB36DBCS2N1	—	1.13	0.84	1.35
JHETC36DBCS2N1	—	1.13	0.85	1.33
JHETC42FBCS2N1	—	1.09	0.82	1.32
JHVTB36DBCC2N1	—	1.14	0.84	1.35
JHVTC36DBCC2N1	—	1.13	0.84	1.35
JHVTC42FBCC2N1	—	1.09	0.82	1.32
JMET12CS2N1A	XAFC48F	1.09	0.81	1.35
JMET12CS2N1A	XAHC48F	1.08	0.79	1.35
JMET12CS2N1A	XAUC48F	1.09	0.81	1.35

## Heat multiplier furnace - 3 ton (34k)

**Table 25: Heat multiplier furnace - 3 ton (34k)**

Furnace model	Indoor coil model	MBH	Cop	kW
TL8E060A12UH11	XAFA30D	1.14	0.82	1.38
TL8E060A12UH11	XAFB30C	1.14	0.82	1.39
TL8E060A12UH11	XAFB36D	1.14	0.83	1.37
TL8E060A12UH11	XAHB30C	1.11	0.80	1.38
TL8E060A12UH11	XAHB36D	1.11	0.81	1.37
TL8E060A12UH11	XAUB30C	1.14	0.82	1.39
TL8E060A12UH11	XAUB36D	1.14	0.83	1.37
TL8E080C16UH11	XAFC30C	1.14	0.81	1.40
TL8E080C16UH11	XAFC36D	1.14	0.82	1.38
TL8E080C16UH11	XAFC48F	1.11	0.77	1.44
TL8E080C16UH11	XAFD48F	1.10	0.79	1.38
TL8E080C16UH11	XAHC30C	1.13	0.80	1.41
TL8E080C16UH11	XAHC36D	1.13	0.78	1.44
TL8E080C16UH11	XAHC48F	1.10	0.76	1.45
TL8E080C16UH11	XAHD48F	1.10	0.76	1.45
TL8E080C16UH11	XAUC48F	1.11	0.77	1.44
TL8E100C20UH11	XAFC30C	1.14	0.82	1.38
TL8E100C20UH11	XAFC36D	1.14	0.83	1.37
TL8E100C20UH11	XAFC48F	1.09	0.80	1.35
TL8E100C20UH11	XAFD48F	1.09	0.80	1.35
TL8E100C20UH11	XAHC30C	1.12	0.81	1.38
TL8E100C20UH11	XAHC36D	1.13	0.79	1.42
TL8E100C20UH11	XAHC48F	1.08	0.79	1.36
TL8E100C20UH11	XAHD48F	1.08	0.79	1.36
TL8E100C20UH11	XAUC48F	1.09	0.80	1.35
TL9E060B12UH11	XAFB30C	1.15	0.81	1.42
TL9E060B12UH11	XAFB36D	1.13	0.84	1.33
TL9E060B12UH11	XAFC30C	1.15	0.81	1.42
TL9E060B12UH11	XAFC36D	1.14	0.82	1.39
TL9E060B12UH11	XAFC48F	1.10	0.79	1.40
TL9E060B12UH11	XAHB30C	1.10	0.82	1.35
TL9E060B12UH11	XAHC30C	1.13	0.79	1.41
TL9E060B12UH11	XAHC36D	1.10	0.83	1.33
TL9E060B12UH11	XAHC48F	1.08	0.77	1.39
TL9E060B12UH11	XAUB30C	1.15	0.81	1.42
TL9E060B12UH11	XAUB36D	1.13	0.84	1.33
TL9E060B12UH11	XAUC48F	1.10	0.79	1.40
TL9E080C16UH11	XAFC30C	1.14	0.82	1.38
TL9E080C16UH11	XAFC36D	1.16	0.81	1.41
TL9E080C16UH11	XAFC48F	1.11	0.79	1.40
TL9E080C16UH11	XAFD48F	1.11	0.79	1.40
TL9E080C16UH11	XAHC30C	1.13	0.79	1.42
TL9E080C16UH11	XAHC36D	1.13	0.80	1.40
TL9E080C16UH11	XAHC48F	1.08	0.77	1.39
TL9E080C16UH11	XAHD48F	1.08	0.77	1.39
TL9E080C16UH11	XAUC48F	1.11	0.79	1.40
TL9E100C20UH11	XAFC30C	1.14	0.82	1.39
TL9E100C20UH11	XAFC36D	1.16	0.81	1.43
TL9E100C20UH11	XAFC48F	1.10	0.80	1.37
TL9E100C20UH11	XAFD48F	1.10	0.80	1.37
TL9E100C20UH11	XAHC30C	1.12	0.80	1.39
TL9E100C20UH11	XAHC36D	1.13	0.79	1.43

**Table 25: Heat multiplier furnace - 3 ton (34k)**

Furnace model	Indoor coil model	MBH	Cop	kW
TL9E100C20UH11	XAHC48F	1.08	0.79	1.36
TL9E100C20UH11	XAHD48F	1.08	0.79	1.36
TL9E100C20UH11	XAUC48F	1.10	0.80	1.37
TM8E040A12MP11	XAFA30D	1.13	0.83	1.36
TM8E040A12MP11	XAFB30C	1.14	0.82	1.38
TM8E040A12MP11	XAFB36D	1.14	0.83	1.36
TM8E040A12MP11	XAHB30C	1.11	0.81	1.37
TM8E040A12MP11	XAHB36D	1.11	0.81	1.36
TM8E040A12MP11	XAUB30C	1.14	0.82	1.38
TM8E040A12MP11	XAUB36D	1.14	0.83	1.36
TM8E060A12MP11	XAFA30D	1.14	0.82	1.38
TM8E060A12MP11	XAFB30C	1.14	0.82	1.39
TM8E060A12MP11	XAFB36D	1.14	0.83	1.37
TM8E060A12MP11	XAHB30C	1.13	0.80	1.41
TM8E060A12MP11	XAHB36D	1.11	0.81	1.37
TM8E060A12MP11	XAUB30C	1.14	0.82	1.39
TM8E060A12MP11	XAUB36D	1.14	0.83	1.37
TM8E080B12MP11	XAFB30C	1.16	0.80	1.44
TM8E080B12MP11	XAFB36D	1.15	0.81	1.41
TM8E080B12MP11	XAFC30C	1.16	0.80	1.44
TM8E080B12MP11	XAFC36D	1.15	0.81	1.41
TM8E080B12MP11	XAFC48F	1.10	0.80	1.37
TM8E080B12MP11	XAHB30C	1.13	0.79	1.43
TM8E080B12MP11	XAHB36D	1.11	0.81	1.37
TM8E080B12MP11	XAHC30C	1.13	0.79	1.43
TM8E080B12MP11	XAHC36D	1.11	0.81	1.36
TM8E080B12MP11	XAHC48F	1.08	0.77	1.40
TM8E080B12MP11	XAUB30C	1.16	0.80	1.44
TM8E080B12MP11	XAUB36D	1.15	0.81	1.41
TM8E080B12MP11	XAUC48F	1.10	0.80	1.37
TM8E080C16MP11	XAFC30C	1.13	0.83	1.35
TM8E080C16MP11	XAFC36D	1.13	0.84	1.34
TM8E080C16MP11	XAFC48F	1.09	0.81	1.34
TM8E080C16MP11	XAFD48F	1.09	0.81	1.34
TM8E080C16MP11	XAHC30C	1.11	0.81	1.36
TM8E080C16MP11	XAHC36D	1.11	0.82	1.34
TM8E080C16MP11	XAHC48F	1.07	0.79	1.34
TM8E080C16MP11	XAHD48F	1.07	0.79	1.34
TM8E080C16MP11	XAUC48F	1.09	0.81	1.34
TM8E100B12MP11	XAFB30C	1.14	0.82	1.39
TM8E100B12MP11	XAFB36D	1.14	0.83	1.37
TM8E100B12MP11	XAFC30C	1.14	0.82	1.38
TM8E100B12MP11	XAFC36D	1.14	0.83	1.37
TM8E100B12MP11	XAFC48F	1.10	0.80	1.36
TM8E100B12MP11	XAHB30C	1.11	0.80	1.38
TM8E100B12MP11	XAHB36D	1.11	0.81	1.36
TM8E100B12MP11	XAHC30C	1.11	0.80	1.38
TM8E100B12MP11	XAHC36D	1.11	0.81	1.36
TM8E100B12MP11	XAHC48F	1.07	0.79	1.36
TM8E100B12MP11	XAUB30C	1.14	0.82	1.39
TM8E100B12MP11	XAUB36D	1.14	0.83	1.37
TM8E100B12MP11	XAUC48F	1.10	0.80	1.36
TM8E100C16MP11	XAFC30C	1.14	0.83	1.37



**Table 25: Heat multiplier furnace - 3 ton (34k)**

Furnace model	Indoor coil model	MBH	Cop	kW
TM8E100C16MP11	XAFC36D	1.14	0.84	1.35
TM8E100C16MP11	XAFC48F	1.09	0.81	1.35
TM8E100C16MP11	XAFD48F	1.09	0.81	1.34
TM8E100C16MP11	XAHC30C	1.11	0.81	1.37
TM8E100C16MP11	XAHC36D	1.11	0.82	1.35
TM8E100C16MP11	XAHC48F	1.07	0.79	1.35
TM8E100C16MP11	XAHD48F	1.07	0.79	1.34
TM8E100C16MP11	XAUC48F	1.09	0.81	1.35
TM8E120C16MP11	XAFC30C	1.14	0.83	1.37
TM8E120C16MP11	XAFC36D	1.14	0.84	1.35
TM8E120C16MP11	XAFC48F	1.09	0.81	1.34
TM8E120C16MP11	XAFD48F	1.09	0.81	1.34
TM8E120C16MP11	XAHC30C	1.11	0.81	1.36
TM8E120C16MP11	XAHC36D	1.11	0.82	1.34
TM8E120C16MP11	XAHC48F	1.07	0.79	1.35
TM8E120C16MP11	XAHD48F	1.07	0.79	1.35
TM8E120C16MP11	XAUC48F	1.09	0.81	1.34
TM8V060A12MP12C	XAFA30D	1.15	0.81	1.41
TM8V060A12MP12C	XAFB30C	1.13	0.82	1.36
TM8V060A12MP12C	XAFB36D	1.15	0.82	1.39
TM8V060A12MP12C	XAHB30C	1.11	0.80	1.38
TM8V060A12MP12C	XAHB36D	1.12	0.80	1.40
TM8V060A12MP12C	XAUB30C	1.13	0.82	1.36
TM8V060A12MP12C	XAUB36D	1.15	0.82	1.39
TM8V080B12MP12C	XAFB30C	1.14	0.81	1.41
TM8V080B12MP12C	XAFB36D	1.13	0.83	1.36
TM8V080B12MP12C	XAFC30C	1.14	0.81	1.41
TM8V080B12MP12C	XAFC36D	1.14	0.82	1.39
TM8V080B12MP12C	XAFC48F	1.10	0.79	1.40
TM8V080B12MP12C	XAHB30C	1.11	0.80	1.39
TM8V080B12MP12C	XAHB36D	1.12	0.81	1.38
TM8V080B12MP12C	XAHC30C	1.13	0.79	1.42
TM8V080B12MP12C	XAHC36D	1.11	0.82	1.36
TM8V080B12MP12C	XAHC48F	1.08	0.77	1.39
TM8V080B12MP12C	XAUB30C	1.14	0.81	1.41
TM8V080B12MP12C	XAUB36D	1.13	0.83	1.36
TM8V080B12MP12C	XAUC48F	1.10	0.79	1.40
TM8V080C16MP12C	XAFC30C	1.15	0.82	1.39
TM8V080C16MP12C	XAFC36D	1.15	0.83	1.38
TM8V080C16MP12C	XAFC48F	1.12	0.78	1.42
TM8V080C16MP12C	XAFD48F	1.12	0.79	1.41
TM8V080C16MP12C	XAHC30C	1.12	0.81	1.38
TM8V080C16MP12C	XAHC36D	1.13	0.79	1.43
TM8V080C16MP12C	XAHC48F	1.09	0.77	1.41
TM8V080C16MP12C	XAHD48F	1.09	0.77	1.41
TM8V080C16MP12C	XAUC48F	1.12	0.78	1.42
TM8V100C16MP12C	XAFC30C	1.15	0.82	1.39
TM8V100C16MP12C	XAFC36D	1.15	0.83	1.38
TM8V100C16MP12C	XAFC48F	1.12	0.78	1.42
TM8V100C16MP12C	XAFD48F	1.12	0.79	1.41
TM8V100C16MP12C	XAHC30C	1.12	0.81	1.38
TM8V100C16MP12C	XAHC36D	1.13	0.79	1.43
TM8V100C16MP12C	XAHC48F	1.09	0.77	1.41

**Table 25: Heat multiplier furnace - 3 ton (34k)**

Furnace model	Indoor coil model	MBH	Cop	kW
TM8V100C16MP12C	XAHD48F	1.09	0.77	1.41
TM8V100C16MP12C	XAUC48F	1.12	0.78	1.42
TM8V100C20MP12C	XAHC48F	1.09	0.77	1.40
TM8V120C20MP12C	XAHC48F	1.09	0.77	1.40
TM8Y060A12MP11	XAFA30D	1.14	0.84	1.36
TM8Y060A12MP11	XAFB30C	1.13	0.83	1.37
TM8Y060A12MP11	XAFB36D	1.14	0.84	1.35
TM8Y060A12MP11	XAHB30C	1.11	0.81	1.37
TM8Y060A12MP11	XAHB36D	1.11	0.82	1.35
TM8Y060A12MP11	XAUB30C	1.13	0.83	1.37
TM8Y060A12MP11	XAUB36D	1.14	0.84	1.35
TM8Y080B12MP11	XAFB30C	1.13	0.82	1.37
TM8Y080B12MP11	XAFB36D	1.13	0.84	1.35
TM8Y080B12MP11	XAFC30C	1.13	0.82	1.37
TM8Y080B12MP11	XAFC36D	1.13	0.83	1.35
TM8Y080B12MP11	XAFC48F	1.09	0.80	1.35
TM8Y080B12MP11	XAHB30C	1.11	0.81	1.37
TM8Y080B12MP11	XAHB36D	1.11	0.82	1.35
TM8Y080B12MP11	XAHC30C	1.11	0.81	1.37
TM8Y080B12MP11	XAHC36D	1.11	0.82	1.35
TM8Y080B12MP11	XAHC48F	1.07	0.79	1.34
TM8Y080B12MP11	XAUB30C	1.13	0.82	1.37
TM8Y080B12MP11	XAUB36D	1.13	0.84	1.35
TM8Y080B12MP11	XAUC48F	1.09	0.80	1.35
TM8Y080C16MP11	XAFC30C	1.14	0.82	1.39
TM8Y080C16MP11	XAFC36D	1.13	0.83	1.36
TM8Y080C16MP11	XAFC48F	1.12	0.78	1.43
TM8Y080C16MP11	XAFD48F	1.12	0.78	1.43
TM8Y080C16MP11	XAHC30C	1.15	0.78	1.46
TM8Y080C16MP11	XAHC36D	1.13	0.79	1.43
TM8Y080C16MP11	XAHC48F	1.09	0.76	1.42
TM8Y080C16MP11	XAHD48F	1.09	0.76	1.42
TM8Y080C16MP11	XAUC48F	1.12	0.78	1.43
TM8Y100C16MP11	XAFC30C	1.14	0.82	1.39
TM8Y100C16MP11	XAFC36D	1.13	0.83	1.36
TM8Y100C16MP11	XAFC48F	1.12	0.78	1.43
TM8Y100C16MP11	XAFD48F	1.12	0.78	1.43
TM8Y100C16MP11	XAHC30C	1.15	0.78	1.46
TM8Y100C16MP11	XAHC36D	1.13	0.79	1.43
TM8Y100C16MP11	XAHC48F	1.09	0.76	1.42
TM8Y100C16MP11	XAHD48F	1.09	0.76	1.42
TM8Y100C16MP11	XAUC48F	1.12	0.78	1.43
TM8Y100C20MP11	XAFC30C	1.16	0.81	1.43
TM8Y100C20MP11	XAFC36D	1.13	0.84	1.35
TM8Y100C20MP11	XAFC48F	1.10	0.79	1.39
TM8Y100C20MP11	XAFD48F	1.10	0.79	1.39
TM8Y100C20MP11	XAHC30C	1.13	0.79	1.42
TM8Y100C20MP11	XAHC36D	1.12	0.80	1.40
TM8Y100C20MP11	XAHC48F	1.09	0.77	1.40
TM8Y100C20MP11	XAHD48F	1.09	0.78	1.39
TM8Y100C20MP11	XAUC48F	1.10	0.79	1.39
TM8Y120C20MP11	XAFC30C	1.16	0.81	1.43
TM8Y120C20MP11	XAFC36D	1.13	0.84	1.35

**Table 25: Heat multiplier furnace - 3 ton (34k)**

Furnace model	Indoor coil model	MBH	Cop	kW
TM8Y120C20MP11	XAFC48F	1.10	0.79	1.39
TM8Y120C20MP11	XAFD48F	1.10	0.79	1.39
TM8Y120C20MP11	XAHC30C	1.13	0.79	1.42
TM8Y120C20MP11	XAHC36D	1.12	0.80	1.40
TM8Y120C20MP11	XAHC48F	1.09	0.77	1.40
TM8Y120C20MP11	XAHD48F	1.09	0.78	1.39
TM8Y120C20MP11	XAUC48F	1.10	0.79	1.39
TM9E040A10MP12	XAFB30C	1.12	0.82	1.37
TM9E040A10MP12	XAUB30C	1.12	0.82	1.37
TM9E060A10MP12	XAFB30C	1.14	0.81	1.40
TM9E060A10MP12	XAFB36D	1.15	0.82	1.39
TM9E060A10MP12	XAHB30C	1.12	0.80	1.39
TM9E060A10MP12	XAHB36D	1.11	0.82	1.35
TM9E060A10MP12	XAUB30C	1.14	0.81	1.40
TM9E060A10MP12	XAUB36D	1.15	0.82	1.39
TM9E060B12MP12	XAFB30C	1.15	0.81	1.42
TM9E060B12MP12	XAFB36D	1.15	0.81	1.41
TM9E060B12MP12	XAFC30C	1.15	0.81	1.42
TM9E060B12MP12	XAFC36D	1.15	0.81	1.41
TM9E060B12MP12	XAFC48F	1.10	0.79	1.40
TM9E060B12MP12	XAHB30C	1.12	0.79	1.42
TM9E060B12MP12	XAHB36D	1.13	0.80	1.40
TM9E060B12MP12	XAHC30C	1.12	0.79	1.42
TM9E060B12MP12	XAHC36D	1.12	0.80	1.40
TM9E060B12MP12	XAHC48F	1.08	0.77	1.39
TM9E060B12MP12	XAUB30C	1.15	0.81	1.42
TM9E060B12MP12	XAUB36D	1.15	0.81	1.41
TM9E060B12MP12	XAUC48F	1.10	0.79	1.40
TM9E080B12MP12	XAFB30C	1.16	0.81	1.43
TM9E080B12MP12	XAFB36D	1.14	0.82	1.38
TM9E080B12MP12	XAFC30C	1.14	0.82	1.39
TM9E080B12MP12	XAFC36D	1.15	0.81	1.41
TM9E080B12MP12	XAFC48F	1.10	0.80	1.37
TM9E080B12MP12	XAHB30C	1.13	0.80	1.41
TM9E080B12MP12	XAHB36D	1.11	0.81	1.37
TM9E080B12MP12	XAHC30C	1.13	0.79	1.43
TM9E080B12MP12	XAHC36D	1.13	0.81	1.39
TM9E080B12MP12	XAHC48F	1.07	0.78	1.37
TM9E080B12MP12	XAUB30C	1.16	0.81	1.43
TM9E080B12MP12	XAUB36D	1.14	0.82	1.38
TM9E080B12MP12	XAUC48F	1.10	0.80	1.37
TM9E080C16MP12	XAFC30C	1.14	0.82	1.38
TM9E080C16MP12	XAFC36D	1.14	0.83	1.36
TM9E080C16MP12	XAFC48F	1.11	0.77	1.44
TM9E080C16MP12	XAFD48F	1.13	0.77	1.47
TM9E080C16MP12	XAHC30C	1.15	0.78	1.47
TM9E080C16MP12	XAHC36D	1.13	0.79	1.43
TM9E080C16MP12	XAHC48F	1.10	0.75	1.45
TM9E080C16MP12	XAHD48F	1.10	0.75	1.45
TM9E080C16MP12	XAUC48F	1.11	0.77	1.44
TM9E100C16MP12	XAFC30C	1.14	0.82	1.38
TM9E100C16MP12	XAFC36D	1.14	0.83	1.36
TM9E100C16MP12	XAFC48F	1.09	0.81	1.35

**Table 25: Heat multiplier furnace - 3 ton (34k)**

Furnace model	Indoor coil model	MBH	Cop	kW
TM9E100C16MP12	XAFD48F	1.09	0.81	1.35
TM9E100C16MP12	XAHC30C	1.11	0.81	1.37
TM9E100C16MP12	XAHC36D	1.11	0.82	1.35
TM9E100C16MP12	XAHC48F	1.07	0.79	1.34
TM9E100C16MP12	XAHD48F	1.07	0.79	1.35
TM9E100C16MP12	XAUC48F	1.09	0.81	1.35
TM9E100C20MP12	XAHC36D	1.12	0.82	1.36
TM9V040A10MP12C	XAFB30C	1.13	0.83	1.36
TM9V040A10MP12C	XAFB36D	1.13	0.84	1.34
TM9V040A10MP12C	XAHB30C	1.10	0.81	1.37
TM9V040A10MP12C	XAHB36D	1.11	0.82	1.36
TM9V040A10MP12C	XAUB30C	1.13	0.83	1.36
TM9V040A10MP12C	XAUB36D	1.13	0.84	1.34
TM9V060B12MP12C	XAFB30C	1.15	0.81	1.42
TM9V060B12MP12C	XAFB36D	1.15	0.81	1.41
TM9V060B12MP12C	XAFC30C	1.15	0.81	1.42
TM9V060B12MP12C	XAFC36D	1.14	0.82	1.39
TM9V060B12MP12C	XAFC48F	1.10	0.79	1.39
TM9V060B12MP12C	XAHB30C	1.12	0.80	1.39
TM9V060B12MP12C	XAHB36D	1.12	0.81	1.38
TM9V060B12MP12C	XAHC30C	1.12	0.79	1.41
TM9V060B12MP12C	XAHC36D	1.12	0.80	1.39
TM9V060B12MP12C	XAHC48F	1.08	0.78	1.38
TM9V060B12MP12C	XAUB30C	1.15	0.81	1.42
TM9V060B12MP12C	XAUB36D	1.15	0.81	1.41
TM9V060B12MP12C	XAUC48F	1.10	0.79	1.39
TM9V080B12MP12C	XAFB30C	1.15	0.81	1.42
TM9V080B12MP12C	XAFB36D	1.15	0.81	1.41
TM9V080B12MP12C	XAFC30C	1.15	0.81	1.42
TM9V080B12MP12C	XAFC36D	1.15	0.82	1.40
TM9V080B12MP12C	XAFC48F	1.10	0.79	1.39
TM9V080B12MP12C	XAHB30C	1.13	0.79	1.43
TM9V080B12MP12C	XAHB36D	1.13	0.80	1.40
TM9V080B12MP12C	XAHC30C	1.13	0.79	1.42
TM9V080B12MP12C	XAHC36D	1.11	0.81	1.37
TM9V080B12MP12C	XAHC48F	1.08	0.78	1.38
TM9V080B12MP12C	XAUB30C	1.15	0.81	1.42
TM9V080B12MP12C	XAUB36D	1.15	0.81	1.41
TM9V080B12MP12C	XAUC48F	1.10	0.79	1.39
TM9V080C16MP12C	XAFC30C	1.14	0.82	1.38
TM9V080C16MP12C	XAFC36D	1.14	0.83	1.36
TM9V080C16MP12C	XAFC48F	1.09	0.80	1.35
TM9V080C16MP12C	XAFD48F	1.09	0.80	1.35
TM9V080C16MP12C	XAHC30C	1.12	0.80	1.39
TM9V080C16MP12C	XAHC36D	1.12	0.81	1.38
TM9V080C16MP12C	XAHC48F	1.07	0.79	1.35
TM9V080C16MP12C	XAHD48F	1.07	0.79	1.36
TM9V080C16MP12C	XAUC48F	1.09	0.80	1.35
TM9V100C16MP12C	XAFC30C	1.15	0.82	1.39
TM9V100C16MP12C	XAFC36D	1.13	0.83	1.36
TM9V100C16MP12C	XAFC48F	1.10	0.81	1.36
TM9V100C16MP12C	XAFD48F	1.09	0.81	1.35
TM9V100C16MP12C	XAHC30C	1.12	0.81	1.38

**Table 25: Heat multiplier furnace - 3 ton (34k)**

Furnace model	Indoor coil model	MBH	Cop	kW
TM9V100C16MP12C	XAHC36D	1.12	0.81	1.37
TM9V100C16MP12C	XAHC48F	1.07	0.79	1.35
TM9V100C16MP12C	XAHD48F	1.07	0.79	1.35
TM9V100C16MP12C	XAUC48F	1.10	0.81	1.36
TM9V100C20MP12C	XAFC30C	1.16	0.80	1.44
TM9V100C20MP12C	XAFC36D	1.16	0.81	1.43
TM9V100C20MP12C	XAFC48F	1.10	0.79	1.40
TM9V100C20MP12C	XAFD48F	1.10	0.79	1.40
TM9V100C20MP12C	XAHC30C	1.15	0.78	1.46
TM9V100C20MP12C	XAHC48F	1.08	0.79	1.36
TM9V100C20MP12C	XAHD48F	1.09	0.77	1.40
TM9V100C20MP12C	XAUC48F	1.10	0.79	1.40
TM9V120D20MP12C	XAFD48F	1.09	0.80	1.35
TM9V120D20MP12C	XAHD48F	1.08	0.79	1.36
TM9Y060B12MP11	XAFB30C	1.15	0.80	1.43
TM9Y060B12MP11	XAFB36D	1.14	0.82	1.39
TM9Y060B12MP11	XAFC30C	1.15	0.81	1.42
TM9Y060B12MP11	XAFC36D	1.14	0.82	1.39
TM9Y060B12MP11	XAFC48F	1.10	0.79	1.40
TM9Y060B12MP11	XAHB30C	1.13	0.79	1.42
TM9Y060B12MP11	XAHB36D	1.12	0.80	1.38
TM9Y060B12MP11	XAHC30C	1.13	0.79	1.41
TM9Y060B12MP11	XAHC36D	1.13	0.80	1.40
TM9Y060B12MP11	XAHC48F	1.09	0.77	1.41
TM9Y060B12MP11	XAUB30C	1.15	0.80	1.43
TM9Y060B12MP11	XAUB36D	1.14	0.82	1.39
TM9Y060B12MP11	XAUC48F	1.10	0.79	1.40
TM9Y080B12MP11	XAFB30C	1.16	0.80	1.44
TM9Y080B12MP11	XAFB36D	1.15	0.81	1.41
TM9Y080B12MP11	XAFC30C	1.16	0.80	1.44
TM9Y080B12MP11	XAFC36D	1.15	0.81	1.41
TM9Y080B12MP11	XAFC48F	1.10	0.78	1.41
TM9Y080B12MP11	XAHB30C	1.13	0.79	1.44
TM9Y080B12MP11	XAHB36D	1.11	0.82	1.36
TM9Y080B12MP11	XAHC30C	1.13	0.79	1.44
TM9Y080B12MP11	XAHC36D	1.13	0.80	1.42
TM9Y080B12MP11	XAHC48F	1.09	0.77	1.41
TM9Y080B12MP11	XAUB30C	1.16	0.80	1.44
TM9Y080B12MP11	XAUB36D	1.15	0.81	1.41
TM9Y080B12MP11	XAUC48F	1.10	0.78	1.41
TM9Y080C16MP11	XAFC30C	1.16	0.80	1.43
TM9Y080C16MP11	XAFC36D	1.14	0.81	1.40
TM9Y080C16MP11	XAFC48F	1.11	0.79	1.41
TM9Y080C16MP11	XAFD48F	1.09	0.80	1.35
TM9Y080C16MP11	XAHC30C	1.13	0.79	1.42
TM9Y080C16MP11	XAHC36D	1.13	0.80	1.41
TM9Y080C16MP11	XAHC48F	1.09	0.77	1.40
TM9Y080C16MP11	XAHD48F	1.07	0.79	1.36
TM9Y080C16MP11	XAUC48F	1.11	0.79	1.41
TM9Y100C16MP11	XAFC30C	1.14	0.82	1.38
TM9Y100C16MP11	XAFC36D	1.14	0.81	1.40
TM9Y100C16MP11	XAFC48F	1.10	0.79	1.39
TM9Y100C16MP11	XAFD48F	1.09	0.80	1.36

**Table 25: Heat multiplier furnace - 3 ton (34k)**

Furnace model	Indoor coil model	MBH	Cop	kW
TM9Y100C16MP11	XAHC30C	1.11	0.81	1.37
TM9Y100C16MP11	XAHC36D	1.13	0.80	1.41
TM9Y100C16MP11	XAHC48F	1.09	0.77	1.40
TM9Y100C16MP11	XAHD48F	1.09	0.77	1.40
TM9Y100C16MP11	XAUC48F	1.10	0.79	1.39
TM9Y100C20MP11	XAHC36D	1.14	0.79	1.44
TM9Y120D20MP11	XAFD48F	1.10	0.80	1.36
TM9Y120D20MP11	XAHD48F	1.07	0.79	1.36
TMLE040A12MP11	XAFA30D	1.13	0.83	1.36
TMLE040A12MP11	XAFB30C	1.14	0.82	1.38
TMLE040A12MP11	XAFB36D	1.14	0.83	1.36
TMLE040A12MP11	XAHB30C	1.11	0.81	1.37
TMLE040A12MP11	XAHB36D	1.11	0.81	1.36
TMLE040A12MP11	XAUB30C	1.14	0.82	1.38
TMLE040A12MP11	XAUB36D	1.14	0.83	1.36
TMLE060A12MP11	XAFA30D	1.14	0.82	1.38
TMLE060A12MP11	XAFB30C	1.14	0.82	1.39
TMLE060A12MP11	XAFB36D	1.14	0.83	1.37
TMLE060A12MP11	XAHB30C	1.13	0.80	1.41
TMLE060A12MP11	XAHB36D	1.11	0.81	1.37
TMLE060A12MP11	XAUB30C	1.14	0.82	1.39
TMLE060A12MP11	XAUB36D	1.14	0.83	1.37
TMLE080B12MP11	XAFB30C	1.16	0.80	1.44
TMLE080B12MP11	XAFB36D	1.15	0.81	1.41
TMLE080B12MP11	XAFC30C	1.16	0.80	1.44
TMLE080B12MP11	XAFC36D	1.15	0.81	1.41
TMLE080B12MP11	XAFC48F	1.10	0.80	1.37
TMLE080B12MP11	XAHB30C	1.13	0.79	1.43
TMLE080B12MP11	XAHB36D	1.11	0.81	1.37
TMLE080B12MP11	XAHC30C	1.13	0.79	1.43
TMLE080B12MP11	XAHC36D	1.11	0.81	1.36
TMLE080B12MP11	XAHC48F	1.08	0.77	1.40
TMLE080B12MP11	XAUB30C	1.16	0.80	1.44
TMLE080B12MP11	XAUB36D	1.15	0.81	1.41
TMLE080B12MP11	XAUC48F	1.10	0.80	1.37
TMLE080C16MP11	XAFC30C	1.13	0.83	1.35
TMLE080C16MP11	XAFC36D	1.13	0.84	1.34
TMLE080C16MP11	XAFC48F	1.09	0.81	1.34
TMLE080C16MP11	XAFD48F	1.09	0.81	1.34
TMLE080C16MP11	XAHC30C	1.11	0.81	1.36
TMLE080C16MP11	XAHC36D	1.11	0.82	1.34
TMLE080C16MP11	XAHC48F	1.07	0.79	1.34
TMLE080C16MP11	XAHD48F	1.07	0.79	1.34
TMLE080C16MP11	XAUC48F	1.09	0.81	1.34
TMLE100B12MP11	XAFB30C	1.14	0.82	1.39
TMLE100B12MP11	XAFB36D	1.14	0.83	1.37
TMLE100B12MP11	XAFC30C	1.14	0.82	1.38
TMLE100B12MP11	XAFC36D	1.14	0.83	1.37
TMLE100B12MP11	XAFC48F	1.10	0.80	1.36
TMLE100B12MP11	XAHB30C	1.11	0.80	1.38
TMLE100B12MP11	XAHB36D	1.11	0.81	1.36
TMLE100B12MP11	XAHC30C	1.11	0.80	1.38
TMLE100B12MP11	XAHC36D	1.11	0.81	1.36

**Table 25: Heat multiplier furnace - 3 ton (34k)**

Furnace model	Indoor coil model	MBH	Cop	kW
TMLE100B12MP11	XAHC48F	1.07	0.79	1.36
TMLE100B12MP11	XAUB30C	1.14	0.82	1.39
TMLE100B12MP11	XAUB36D	1.14	0.83	1.37
TMLE100B12MP11	XAUC48F	1.10	0.80	1.36
TMLE100C16MP11	XAFC30C	1.14	0.83	1.37
TMLE100C16MP11	XAFC36D	1.14	0.84	1.35
TMLE100C16MP11	XAFC48F	1.09	0.81	1.35
TMLE100C16MP11	XAFD48F	1.09	0.81	1.34
TMLE100C16MP11	XAHC30C	1.11	0.81	1.37
TMLE100C16MP11	XAHC36D	1.11	0.82	1.35
TMLE100C16MP11	XAHC48F	1.07	0.79	1.35
TMLE100C16MP11	XAHD48F	1.07	0.79	1.34
TMLE100C16MP11	XAUC48F	1.09	0.81	1.35
TMLE120C16MP11	XAFC30C	1.14	0.83	1.37
TMLE120C16MP11	XAFC36D	1.14	0.84	1.35
TMLE120C16MP11	XAFC48F	1.09	0.81	1.34
TMLE120C16MP11	XAFD48F	1.09	0.81	1.34
TMLE120C16MP11	XAHC30C	1.11	0.81	1.36
TMLE120C16MP11	XAHC36D	1.11	0.82	1.34
TMLE120C16MP11	XAHC48F	1.07	0.79	1.35
TMLE120C16MP11	XAHD48F	1.07	0.79	1.35
TMLE120C16MP11	XAUC48F	1.09	0.81	1.34
TMLV060A12MP12C	XAFA30D	1.15	0.81	1.41
TMLV060A12MP12C	XAFB30C	1.13	0.82	1.36
TMLV060A12MP12C	XAFB36D	1.15	0.82	1.39
TMLV060A12MP12C	XAHB30C	1.11	0.80	1.38
TMLV060A12MP12C	XAHB36D	1.12	0.80	1.40
TMLV060A12MP12C	XAUB30C	1.13	0.82	1.36
TMLV060A12MP12C	XAUB36D	1.15	0.82	1.39
TMLV100C16MP12C	XAFC30C	1.15	0.82	1.39
TMLV100C16MP12C	XAFC36D	1.15	0.83	1.38
TMLV100C16MP12C	XAFC48F	1.12	0.78	1.42
TMLV100C16MP12C	XAFD48F	1.12	0.79	1.41
TMLV100C16MP12C	XAHC30C	1.12	0.81	1.38
TMLV100C16MP12C	XAHC36D	1.13	0.79	1.43
TMLV100C16MP12C	XAHC48F	1.09	0.77	1.41
TMLV100C16MP12C	XAHD48F	1.09	0.77	1.41
TMLV100C16MP12C	XAUC48F	1.12	0.78	1.42
TMLV120C20MP12C	XAHC48F	1.09	0.77	1.40
TP9C060B12MP13C	XAFB30C	1.15	0.81	1.42
TP9C060B12MP13C	XAFB36D	1.15	0.81	1.41
TP9C060B12MP13C	XAFC30C	1.15	0.81	1.42
TP9C060B12MP13C	XAFC36D	1.14	0.82	1.39
TP9C060B12MP13C	XAFC48F	1.10	0.79	1.39
TP9C060B12MP13C	XAHB30C	1.12	0.80	1.39
TP9C060B12MP13C	XAHB36D	1.12	0.81	1.38
TP9C060B12MP13C	XAHC30C	1.12	0.79	1.41
TP9C060B12MP13C	XAHC36D	1.12	0.80	1.39
TP9C060B12MP13C	XAHC48F	1.08	0.78	1.38
TP9C060B12MP13C	XAUB30C	1.15	0.81	1.42
TP9C060B12MP13C	XAUB36D	1.15	0.81	1.41
TP9C060B12MP13C	XAUC48F	1.10	0.79	1.39
TP9C080B12MP13C	XAFB30C	1.15	0.81	1.42

**Table 25: Heat multiplier furnace - 3 ton (34k)**

Furnace model	Indoor coil model	MBH	Cop	kW
TP9C080B12MP13C	XAFB36D	1.15	0.81	1.41
TP9C080B12MP13C	XAFC30C	1.15	0.81	1.42
TP9C080B12MP13C	XAFC36D	1.15	0.82	1.40
TP9C080B12MP13C	XAFC48F	1.10	0.79	1.39
TP9C080B12MP13C	XAHB30C	1.13	0.79	1.43
TP9C080B12MP13C	XAHB36D	1.13	0.80	1.40
TP9C080B12MP13C	XAHC30C	1.13	0.79	1.42
TP9C080B12MP13C	XAHC36D	1.11	0.81	1.37
TP9C080B12MP13C	XAHC48F	1.08	0.78	1.38
TP9C080B12MP13C	XAUB30C	1.15	0.81	1.42
TP9C080B12MP13C	XAUB36D	1.15	0.81	1.41
TP9C080B12MP13C	XAUC48F	1.10	0.79	1.39
TP9C080C16MP13C	XAFC30C	1.14	0.82	1.38
TP9C080C16MP13C	XAFC36D	1.14	0.83	1.36
TP9C080C16MP13C	XAFC48F	1.09	0.80	1.35
TP9C080C16MP13C	XAFD48F	1.09	0.80	1.35
TP9C080C16MP13C	XAHC30C	1.12	0.80	1.39
TP9C080C16MP13C	XAHC36D	1.12	0.81	1.38
TP9C080C16MP13C	XAHC48F	1.07	0.79	1.35
TP9C080C16MP13C	XAHD48F	1.07	0.79	1.36
TP9C080C16MP13C	XAUC48F	1.09	0.80	1.35
TP9C100C16MP13C	XAFC30C	1.15	0.82	1.39
TP9C100C16MP13C	XAFC36D	1.13	0.83	1.36
TP9C100C16MP13C	XAFC48F	1.10	0.81	1.36
TP9C100C16MP13C	XAFD48F	1.09	0.81	1.35
TP9C100C16MP13C	XAHC30C	1.12	0.81	1.38
TP9C100C16MP13C	XAHC36D	1.12	0.81	1.37
TP9C100C16MP13C	XAHC48F	1.07	0.79	1.35
TP9C100C16MP13C	XAHD48F	1.07	0.79	1.35
TP9C100C16MP13C	XAUC48F	1.10	0.81	1.36
TP9C100C20MP13C	XAFC30C	1.16	0.80	1.44
TP9C100C20MP13C	XAFC36D	1.16	0.81	1.43
TP9C100C20MP13C	XAFC48F	1.10	0.79	1.40
TP9C100C20MP13C	XAFD48F	1.10	0.79	1.40
TP9C100C20MP13C	XAHC30C	1.15	0.78	1.46
TP9C100C20MP13C	XAHC48F	1.08	0.79	1.36
TP9C100C20MP13C	XAHD48F	1.09	0.77	1.40
TP9C100C20MP13C	XAUC48F	1.10	0.79	1.40
TP9C120D20MP13C	XAFD48F	1.09	0.80	1.35
TP9C120D20MP13C	XAHD48F	1.08	0.79	1.36
TPPLC060A12MP13C	XAFA30D	1.15	0.81	1.41
TPPLC060A12MP13C	XAFB30C	1.13	0.82	1.36
TPPLC060A12MP13C	XAFB36D	1.15	0.82	1.39
TPPLC060A12MP13C	XAHB30C	1.11	0.80	1.38
TPPLC060A12MP13C	XAHB36D	1.12	0.80	1.40
TPPLC060A12MP13C	XAUB30C	1.13	0.82	1.36
TPPLC060A12MP13C	XAUB36D	1.15	0.82	1.39
TPPLC080B12MP13C	XAFB30C	1.14	0.81	1.41
TPPLC080B12MP13C	XAFB36D	1.13	0.83	1.36
TPPLC080B12MP13C	XAFC30C	1.14	0.81	1.41
TPPLC080B12MP13C	XAFC36D	1.14	0.82	1.39
TPPLC080B12MP13C	XAFC48F	1.10	0.79	1.40
TPPLC080B12MP13C	XAHB30C	1.11	0.80	1.39



**Table 25: Heat multiplier furnace - 3 ton (34k)**

Furnace model	Indoor coil model	MBH	Cop	kW
TPLC080B12MP13C	XAHB36D	1.12	0.81	1.38
TPLC080B12MP13C	XAHC30C	1.13	0.79	1.42
TPLC080B12MP13C	XAHC36D	1.11	0.82	1.36
TPLC080B12MP13C	XAHC48F	1.08	0.77	1.39
TPLC080B12MP13C	XAUB30C	1.14	0.81	1.41
TPLC080B12MP13C	XAUB36D	1.13	0.83	1.36
TPLC080B12MP13C	XAUC48F	1.10	0.79	1.40
TPLC080C16MP13C	XAFC30C	1.15	0.82	1.39
TPLC080C16MP13C	XAFC36D	1.15	0.83	1.38
TPLC080C16MP13C	XAFC48F	1.12	0.78	1.42
TPLC080C16MP13C	XAFD48F	1.12	0.79	1.41
TPLC080C16MP13C	XAHC30C	1.12	0.81	1.38
TPLC080C16MP13C	XAHC36D	1.13	0.79	1.43
TPLC080C16MP13C	XAHC48F	1.09	0.77	1.41
TPLC080C16MP13C	XAHD48F	1.09	0.77	1.41
TPLC080C16MP13C	XAUC48F	1.12	0.78	1.42
TPLC100C16MP13C	XAFC30C	1.15	0.82	1.39
TPLC100C16MP13C	XAFC36D	1.15	0.83	1.38
TPLC100C16MP13C	XAFC48F	1.12	0.78	1.42
TPLC100C16MP13C	XAFD48F	1.12	0.79	1.41
TPLC100C16MP13C	XAHC30C	1.12	0.81	1.38
TPLC100C16MP13C	XAHC36D	1.13	0.79	1.43
TPLC100C16MP13C	XAHC48F	1.09	0.77	1.41
TPLC100C16MP13C	XAHD48F	1.09	0.77	1.41
TPLC100C16MP13C	XAUC48F	1.12	0.78	1.42
TPLC100C20MP13C	XAHC48F	1.09	0.77	1.40
TPLC120C20MP13C	XAHC48F	1.09	0.77	1.40
YP9C060B12MP13C	XAFB30C	1.15	0.81	1.42
YP9C060B12MP13C	XAFB36D	1.15	0.81	1.41
YP9C060B12MP13C	XAFC30C	1.15	0.81	1.42
YP9C060B12MP13C	XAFC36D	1.14	0.82	1.39
YP9C060B12MP13C	XAFC48F	1.10	0.79	1.39
YP9C060B12MP13C	XAHB30C	1.12	0.80	1.39
YP9C060B12MP13C	XAHB36D	1.12	0.81	1.38
YP9C060B12MP13C	XAHC30C	1.12	0.79	1.41
YP9C060B12MP13C	XAHC36D	1.12	0.80	1.39
YP9C060B12MP13C	XAHC48F	1.08	0.78	1.38
YP9C060B12MP13C	XAUB30C	1.15	0.81	1.42
YP9C060B12MP13C	XAUB36D	1.15	0.81	1.41
YP9C060B12MP13C	XAUC48F	1.10	0.79	1.39
YP9C080B12MP13C	XAFB30C	1.15	0.81	1.42
YP9C080B12MP13C	XAFB36D	1.15	0.81	1.41
YP9C080B12MP13C	XAFC30C	1.15	0.81	1.42
YP9C080B12MP13C	XAFC36D	1.15	0.82	1.40
YP9C080B12MP13C	XAFC48F	1.10	0.79	1.39
YP9C080B12MP13C	XAHB30C	1.13	0.79	1.43
YP9C080B12MP13C	XAHB36D	1.13	0.80	1.40
YP9C080B12MP13C	XAHC30C	1.13	0.79	1.42
YP9C080B12MP13C	XAHC36D	1.11	0.81	1.37
YP9C080B12MP13C	XAHC48F	1.08	0.78	1.38
YP9C080B12MP13C	XAUB30C	1.15	0.81	1.42
YP9C080B12MP13C	XAUB36D	1.15	0.81	1.41
YP9C080B12MP13C	XAUC48F	1.10	0.79	1.39

**Table 25: Heat multiplier furnace - 3 ton (34k)**

Furnace model	Indoor coil model	MBH	Cop	kW
YP9C080C16MP13C	XAFC30C	1.14	0.82	1.38
YP9C080C16MP13C	XAFC36D	1.14	0.83	1.36
YP9C080C16MP13C	XAFC48F	1.09	0.80	1.35
YP9C080C16MP13C	XAFD48F	1.09	0.80	1.35
YP9C080C16MP13C	XAHC30C	1.12	0.80	1.39
YP9C080C16MP13C	XAHC36D	1.12	0.81	1.38
YP9C080C16MP13C	XAHC48F	1.07	0.79	1.35
YP9C080C16MP13C	XAHD48F	1.07	0.79	1.36
YP9C080C16MP13C	XAUC48F	1.09	0.80	1.35
YP9C100C16MP13C	XAFC30C	1.15	0.82	1.39
YP9C100C16MP13C	XAFC36D	1.13	0.83	1.36
YP9C100C16MP13C	XAFC48F	1.10	0.81	1.36
YP9C100C16MP13C	XAFD48F	1.09	0.81	1.35
YP9C100C16MP13C	XAHC30C	1.12	0.81	1.38
YP9C100C16MP13C	XAHC36D	1.12	0.81	1.37
YP9C100C16MP13C	XAHC48F	1.07	0.79	1.35
YP9C100C16MP13C	XAHD48F	1.07	0.79	1.35
YP9C100C16MP13C	XAUC48F	1.10	0.81	1.36
YP9C100C20MP13C	XAFC30C	1.16	0.80	1.44
YP9C100C20MP13C	XAFC36D	1.16	0.81	1.43
YP9C100C20MP13C	XAFC48F	1.10	0.79	1.40
YP9C100C20MP13C	XAFD48F	1.10	0.79	1.40
YP9C100C20MP13C	XAHC30C	1.15	0.78	1.46
YP9C100C20MP13C	XAHC48F	1.08	0.79	1.36
YP9C100C20MP13C	XAHD48F	1.09	0.77	1.40
YP9C100C20MP13C	XAUC48F	1.10	0.79	1.40
YP9C120D20MP13C	XAFD48F	1.09	0.80	1.35
YP9C120D20MP13C	XAHD48F	1.08	0.79	1.36
YPLC060A12MP13C	XAFA30D	1.15	0.81	1.41
YPLC060A12MP13C	XAFB30C	1.13	0.82	1.36
YPLC060A12MP13C	XAFB36D	1.15	0.82	1.39
YPLC060A12MP13C	XAHB30C	1.11	0.80	1.38
YPLC060A12MP13C	XAHB36D	1.12	0.80	1.40
YPLC060A12MP13C	XAUB30C	1.13	0.82	1.36
YPLC060A12MP13C	XAUB36D	1.15	0.82	1.39
YPLC080B12MP13C	XAFB30C	1.14	0.81	1.41
YPLC080B12MP13C	XAFB36D	1.13	0.83	1.36
YPLC080B12MP13C	XAFC30C	1.14	0.81	1.41
YPLC080B12MP13C	XAFC36D	1.14	0.82	1.39
YPLC080B12MP13C	XAFC48F	1.10	0.79	1.40
YPLC080B12MP13C	XAHB30C	1.11	0.80	1.39
YPLC080B12MP13C	XAHB36D	1.12	0.81	1.38
YPLC080B12MP13C	XAHC30C	1.13	0.79	1.42
YPLC080B12MP13C	XAHC36D	1.11	0.82	1.36
YPLC080B12MP13C	XAHC48F	1.08	0.77	1.39
YPLC080B12MP13C	XAUB30C	1.14	0.81	1.41
YPLC080B12MP13C	XAUB36D	1.13	0.83	1.36
YPLC080B12MP13C	XAUC48F	1.10	0.79	1.40
YPLC080C16MP13C	XAFC30C	1.15	0.82	1.39
YPLC080C16MP13C	XAFC36D	1.15	0.83	1.38
YPLC080C16MP13C	XAFC48F	1.12	0.78	1.42
YPLC080C16MP13C	XAFD48F	1.12	0.79	1.41
YPLC080C16MP13C	XAHC30C	1.12	0.81	1.38

**Table 25: Heat multiplier furnace - 3 ton (34k)**

Furnace model	Indoor coil model	MBH	Cop	kW
YPLC080C16MP13C	XAHC36D	1.13	0.79	1.43
YPLC080C16MP13C	XAHC48F	1.09	0.77	1.41
YPLC080C16MP13C	XAHD48F	1.09	0.77	1.41
YPLC080C16MP13C	XAUC48F	1.12	0.78	1.42
YPLC100C16MP13C	XAFC30C	1.15	0.82	1.39
YPLC100C16MP13C	XAFC36D	1.15	0.83	1.38
YPLC100C16MP13C	XAFC48F	1.12	0.78	1.42
YPLC100C16MP13C	XAFD48F	1.12	0.79	1.41
YPLC100C16MP13C	XAHC30C	1.12	0.81	1.38
YPLC100C16MP13C	XAHC36D	1.13	0.79	1.43
YPLC100C16MP13C	XAHC48F	1.09	0.77	1.41
YPLC100C16MP13C	XAHD48F	1.09	0.77	1.41
YPLC100C16MP13C	XAUC48F	1.12	0.78	1.42
YPLC100C20MP13C	XAHC48F	1.09	0.77	1.40
YPLC120C20MP13C	XAHC48F	1.09	0.77	1.40

## Cooling performance data - 3 ton (36k)

**Table 26: Cooling performance data - 3 ton (36k)**

Air temperature entering outdoor unit (°F)	Indoor CFM	900					1200					1500				
		Indoor dry bulb (°F)		75	80		80		75	80		80		75	80	
		80	80	62	67	72	57	62	62	67	72	57	62	62	67	72
55	Total capacity	31.1	36.9	37.9	41.3	45.3	36.5	38.9	39.4	42.9	46.7	39.8	41.0	41.0	44.5	48.1
55	Sensible capacity	31.1	29.8	26.2	26.1	21.4	36.5	34.5	29.5	29.5	23.7	39.8	39.2	32.9	32.9	26.0
55	kW	2.14	2.54	2.55	2.58	2.61	2.67	2.68	2.70	2.73	2.77	2.79	2.80	2.83	2.85	
65	Total capacity	30.6	35.5	36.3	39.6	43.4	35.3	37.3	37.7	41.0	44.6	38.2	39.2	39.1	42.5	45.9
65	Sensible capacity	30.6	29.3	25.6	25.5	20.8	35.3	33.9	29.0	28.9	23.1	38.2	38.5	32.4	32.4	25.4
65	kW	2.54	2.86	2.87	2.91	2.96	2.99	2.99	3.00	3.04	3.08	3.11	3.12	3.13	3.17	3.21
75	Total capacity	30.1	34.1	34.6	37.8	41.5	34.1	35.7	35.9	39.1	42.6	36.7	37.4	37.2	40.5	43.7
75	Sensible capacity	30.1	28.8	24.9	24.8	20.1	34.1	33.1	28.3	28.3	22.5	36.7	37.4	31.7	31.7	24.8
75	kW	2.93	3.17	3.18	3.24	3.30	3.31	3.31	3.32	3.38	3.43	3.44	3.45	3.46	3.52	3.56
85	Total capacity	29.5	32.6	33.0	36.1	39.5	32.8	34.1	34.2	37.2	40.6	35.2	35.7	35.3	38.4	41.6
85	Sensible capacity	29.5	28.2	24.2	24.1	19.4	32.8	31.9	27.6	27.5	21.8	35.2	35.7	31.0	31.0	24.1
85	kW	3.32	3.49	3.50	3.58	3.65	3.64	3.64	3.64	3.72	3.78	3.77	3.78	3.79	3.86	3.92
95	Total capacity	29.0	31.2	31.3	34.3	37.6	31.6	32.6	32.4	35.3	38.5	33.6	33.9	33.5	36.4	39.4
95	Sensible capacity	29.0	27.5	23.4	23.3	18.7	31.6	30.7	26.8	26.7	21.0	33.6	33.9	30.2	30.1	23.4
95	kW	3.71	3.80	3.82	3.91	3.99	3.96	3.96	3.97	4.06	4.13	4.10	4.12	4.12	4.20	4.27
105	Total capacity	28.5	29.8	29.7	32.5	35.7	30.3	31.0	30.6	33.5	36.5	32.1	32.1	31.6	34.4	37.3
105	Sensible capacity	28.5	26.8	22.6	22.5	18.0	30.3	29.5	26.0	25.9	20.3	32.1	32.1	29.3	29.2	22.6
105	kW	4.11	4.12	4.13	4.25	4.34	4.28	4.28	4.29	4.40	4.48	4.44	4.45	4.45	4.55	4.63
115	Total capacity	20.6	23.7	21.6	22.9	27.7	24.2	24.5	21.9	23.1	26.5	22.6	25.4	22.3	23.3	25.4
115	Sensible capacity	20.6	23.2	18.3	22.9	15.4	24.2	24.3	20.3	23.1	16.7	22.6	25.4	22.3	23.3	18.0
115	kW	3.07	3.68	3.27	3.18	3.49	3.74	3.74	3.39	3.30	3.54	3.35	3.81	3.52	3.43	3.59

## Multipliers for determining the performance with other indoor sections

### Cool multiplier air handler - 3 ton (36k)

**Table 27: Cool multiplier air handler - 3 ton (36k)**

Air handler model	Indoor coil model	Total capacity	Sensible capacity	kW
AE36BX21	—	0.95	0.95	1.1
AE36BX21	—	0.95	0.95	1.1
AE36CX21	—	0.98	0.99	1.04
AE36CX21	—	0.98	0.99	1.04
AVC36BX21	—	0.95	0.94	1.11

**Table 27: Cool multiplier air handler - 3 ton (36k)**

Air handler model	Indoor coil model	Total capacity	Sensible capacity	kW
AVC36BX21	—	0.95	0.94	1.11
AVC36CX21	—	0.96	0.96	1.08
AVC36CX21	—	0.96	0.96	1.08
JHETB30DBAS2N1	—	0.97	0.98	1.08
JHETB36DBAS2N1	—	0.97	0.96	1.11
JHETB36DBCS2N1	—	0.95	0.94	1.09
JHETB36DXXS2N1	—	0.95	0.94	1.09
JHETC36DBAS2N1	—	0.97	0.96	1.08
JHETC36DBCS2N1	—	0.97	0.96	1.04
JHETC36DXXS2N1	—	0.97	0.96	1.04
JHVTB36DBAC2N1	—	0.96	0.95	1.11
JHVTB36DBCC2N1	—	0.96	0.95	1.11
JHVTB36DXXC2N1	—	0.96	0.95	1.08
JHVTC36DBAC2N1	—	0.97	0.96	1.08
JHVTC36DBCC2N1	—	0.96	0.96	1.05
JHVTC36DXXC2N1	—	0.96	0.96	1.06
JMET12BS2N1A	XAFB36D	0.97	0.96	1.1
JMET12BS2N1A	XAFB36D	0.97	0.96	1.1
JMET12BS2N1A	XAFB36D	0.97	0.96	1.1
JMET12BS2N1A	XAUB36D	0.97	0.96	1.1
JMET12BS4N1A	XAFB36D	0.96	0.95	1.11
JMET12BS4N1A	XAFB36D	0.96	0.95	1.11
JMET12BS4N1A	XAFB36D	0.96	0.95	1.11
JMET12BS4N1A	XAUB36D	0.96	0.95	1.11
JMET12CS2N1A	XAFC36D	0.95	0.94	1.07
JMET12CS2N1A	XAFC36D	0.95	0.94	1.07
JMET12CS2N1A	XAFC36D	0.95	0.94	1.07
JMET12CS2N1A	XAHC36D	0.94	0.93	1.08
JMET12CS2N1A	XAHC36D	0.94	0.93	1.08
JMET12CS2N1A	XAHC36D	0.94	0.93	1.08
JMET12CS2N1A	XAHC36D	0.94	0.93	1.08
JMET16CS2N1A	XAFC36D	0.97	0.96	1.06
JMET16CS2N1A	XAFC36D	0.97	0.96	1.06
JMET16CS2N1A	XAFC36D	0.97	0.96	1.06
JMET16CS2N1A	XAHC36D	0.94	0.93	1.08
JMET16CS2N1A	XAHC36D	0.94	0.93	1.08
JMET16CS2N1A	XAHC36D	0.94	0.93	1.08
JMVT12BC2N1A	XAFB36D	0.97	0.96	1.11
JMVT12BC2N1A	XAFB36D	0.97	0.96	1.11
JMVT12BC2N1A	XAFB36D	0.97	0.96	1.11
JMVT12BC2N1A	XAHB36D	0.95	0.94	1.09
JMVT12BC2N1A	XAHB36D	0.93	0.92	1.08
JMVT12BC2N1A	XAHB36D	0.93	0.92	1.08
JMVT12BC2N1A	XAUB36D	0.97	0.96	1.11
JMVT16CC2N1A	XAFC36D	0.96	0.95	1.06
JMVT16CC2N1A	XAFC36D	0.96	0.95	1.06
JMVT16CC2N1A	XAFC36D	0.96	0.95	1.06
JMVT16CC2N1A	XAHC36D	0.94	0.93	1.07
JMVT16CC2N1A	XAHC36D	0.94	0.93	1.07
JMVT16CC2N1A	XAHC36D	0.94	0.93	1.07
ME08BN21	CF36B	0.98	0.96	1.06
ME08BN21	CF36B	0.98	0.96	1.06
ME08BN21	CM36B	0.98	0.96	1.06
ME08BN21	CM36B	0.98	0.96	1.06

**Table 27: Cool multiplier air handler - 3 ton (36k)**

<b>Air handler model</b>	<b>Indoor coil model</b>	<b>Total capacity</b>	<b>Sensible capacity</b>	<b>kW</b>
ME12BN21	CF36B	0.95	0.95	1.1
ME12BN21	CF36B	0.95	0.95	1.1
ME12BN21	CM36B	0.95	0.95	1.1
ME12BN21	CM36B	0.95	0.95	1.1
ME12BN21	XAFB36D	0.95	0.94	1.08
ME12BN21	XAFB36D	0.95	0.94	1.08
ME12BN21	XAFB36D	0.95	0.94	1.08
ME12BN21	XAHB36D	0.93	0.93	1.09
ME12BN21	XAHB36D	0.93	0.93	1.09
ME12BN21	XAHB36D	0.93	0.93	1.09
ME12BN21	XAUB36D	0.95	0.94	1.08
ME12CN21	CF36C	0.96	0.96	1.08
ME12CN21	CM36C	0.96	0.96	1.08
ME12CN21	CM36C	0.96	0.96	1.08
ME12CN21	XAFC36D	0.95	0.94	1.08
ME12CN21	XAFC36D	0.95	0.94	1.08
ME12CN21	XAFC36D	0.95	0.94	1.08
ME12CN21	XAHC36D	0.93	0.92	1.08
ME12CN21	XAHC36D	0.93	0.92	1.08
ME12CN21	XAHC36D	0.93	0.92	1.08
ME16CN21	CF36C	0.97	0.96	1.07
ME16CN21	CM36C	0.97	0.96	1.07
ME16CN21	CM36C	0.97	0.96	1.07
ME16CN21	XAFC36D	0.95	0.94	1.09
ME16CN21	XAFC36D	0.95	0.94	1.09
ME16CN21	XAFC36D	0.95	0.94	1.09
ME16CN21	XAHC36D	0.93	0.92	1.09
ME16CN21	XAHC36D	0.93	0.92	1.09
ME16CN21	XAHC36D	0.93	0.92	1.09
MVC12BN21	CF36B	0.95	0.95	1.1
MVC12BN21	CF36B	0.95	0.95	1.1
MVC12BN21	CM36B	0.95	0.95	1.1
MVC12BN21	CM36B	0.95	0.95	1.1
MVC12BN21	XAFB36D	0.95	0.94	1.09
MVC12BN21	XAFB36D	0.95	0.94	1.09
MVC12BN21	XAFB36D	0.95	0.94	1.09
MVC12BN21	XAHB36D	0.93	0.92	1.1
MVC12BN21	XAHB36D	0.93	0.92	1.1
MVC12BN21	XAHB36D	0.93	0.92	1.1
MVC12BN21	XAUB36D	0.95	0.94	1.09
MVC12CN21	CF36C	0.97	0.97	1.07
MVC12CN21	CM36C	0.97	0.97	1.07
MVC12CN21	CM36C	0.97	0.97	1.07
MVC12CN21	XAFC36D	0.96	0.95	1.07
MVC12CN21	XAFC36D	0.96	0.95	1.07
MVC12CN21	XAFC36D	0.96	0.95	1.07
MVC12CN21	XAHC36D	0.94	0.93	1.07
MVC12CN21	XAHC36D	0.94	0.93	1.07
MVC12CN21	XAHC36D	0.94	0.93	1.07
MVC16CN21	CF36C	0.96	0.96	1.08
MVC16CN21	CM36C	0.96	0.96	1.08
MVC16CN21	CM36C	0.96	0.96	1.08
MVC16CN21	XAFC36D	0.96	0.95	1.07

**Table 27: Cool multiplier air handler - 3 ton (36k)**

Air handler model	Indoor coil model	Total capacity	Sensible capacity	kW
MVC16CN21	XAFC36D	0.96	0.95	1.07
MVC16CN21	XAFC36D	0.96	0.95	1.07
MVC16CN21	XAHC36D	0.94	0.93	1.07
MVC16CN21	XAHC36D	0.94	0.93	1.07
MVC16CN21	XAHC36D	0.94	0.93	1.07

## Cool multiplier furnace - 3 ton (36k)

**Table 28: Cool multiplier furnace - 3 ton (36k)**

Furnace model	Indoor coil model	Total capacity	Sensible capacity	kW
TL8E060A12UH11	CF36A	0.94	0.93	1.13
TL8E060A12UH11	CF36B	0.95	0.94	1.12
TL8E060A12UH11	CF36B	0.95	0.94	1.12
TL8E060A12UH11	CM36A	0.94	0.93	1.13
TL8E060A12UH11	CM36B	0.95	0.94	1.12
TL8E060A12UH11	CM36B	0.95	0.94	1.12
TL8E060A12UH11	CU36B	0.95	0.94	1.12
TL8E060A12UH11	XAFA30D	0.94	0.93	1.11
TL8E060A12UH11	XAFA30D	0.94	0.93	1.11
TL8E060A12UH11	XAFB36D	0.96	0.95	1.12
TL8E060A12UH11	XAFB36D	0.95	0.93	1.11
TL8E060A12UH11	XAFB36D	0.95	0.93	1.11
TL8E060A12UH11	XAHB36D	0.94	0.93	1.12
TL8E060A12UH11	XAHB36D	0.92	0.91	1.11
TL8E060A12UH11	XAHB36D	0.92	0.91	1.11
TL8E060A12UH11	XAUB36D	0.95	0.93	1.11
TL8E080C16UH11	CF36C	0.96	0.96	1.08
TL8E080C16UH11	CM36C	0.96	0.96	1.08
TL8E080C16UH11	CM36C	0.96	0.96	1.08
TL8E080C16UH11	CU36C	0.96	0.96	1.08
TL8E080C16UH11	CU36C	0.96	0.96	1.08
TL8E080C16UH11	XAFC36D	0.96	0.94	1.12
TL8E080C16UH11	XAFC36D	0.95	0.94	1.09
TL8E080C16UH11	XAFC36D	0.95	0.94	1.09
TL8E080C16UH11	XAHC36D	0.94	0.93	1.13
TL8E080C16UH11	XAHC36D	0.93	0.92	1.09
TL8E080C16UH11	XAHC36D	0.93	0.92	1.09
TL8E100C20UH11	XAFC36D	0.97	0.96	1.09
TL8E100C20UH11	XAFC36D	0.97	0.96	1.09
TL8E100C20UH11	XAFC36D	0.97	0.96	1.09
TL8E100C20UH11	XAHC36D	0.95	0.94	1.09
TL8E100C20UH11	XAHC36D	0.95	0.94	1.09
TL8E100C20UH11	XAHC36D	0.95	0.94	1.09
TL9E060B12UH11	CF36B	0.96	0.94	1.1
TL9E060B12UH11	CF36B	0.96	0.94	1.1
TL9E060B12UH11	CF36C	0.94	0.94	1.14
TL9E060B12UH11	CM36B	0.96	0.94	1.1
TL9E060B12UH11	CM36B	0.96	0.94	1.1
TL9E060B12UH11	CM36C	0.94	0.94	1.14
TL9E060B12UH11	CM36C	0.94	0.94	1.14
TL9E060B12UH11	CU36B	0.96	0.94	1.1
TL9E060B12UH11	CU36C	0.94	0.94	1.14
TL9E060B12UH11	CU36C	0.94	0.94	1.14

**Table 28: Cool multiplier furnace - 3 ton (36k)**

Furnace model	Indoor coil model	Total capacity	Sensible capacity	kW
TL9E060B12UH11	XAFB36D	0.95	0.94	1.08
TL9E060B12UH11	XAFB36D	0.97	0.96	1.1
TL9E060B12UH11	XAFB36D	0.97	0.96	1.1
TL9E060B12UH11	XAFC36D	0.95	0.94	1.09
TL9E060B12UH11	XAFC36D	0.95	0.94	1.09
TL9E060B12UH11	XAFC36D	0.95	0.94	1.09
TL9E060B12UH11	XAHB36D	0.93	0.92	1.09
TL9E060B12UH11	XAHB36D	0.93	0.92	1.09
TL9E060B12UH11	XAHB36D	0.93	0.92	1.09
TL9E060B12UH11	XAHC36D	0.95	0.94	1.1
TL9E060B12UH11	XAHC36D	0.95	0.94	1.1
TL9E060B12UH11	XAHC36D	0.95	0.94	1.1
TL9E060B12UH11	XAUB36D	0.97	0.96	1.1
TL9E080C16UH11	CF36C	0.95	0.95	1.11
TL9E080C16UH11	CM36C	0.95	0.95	1.11
TL9E080C16UH11	CM36C	0.95	0.95	1.11
TL9E080C16UH11	CU36C	0.95	0.95	1.11
TL9E080C16UH11	CU36C	0.95	0.95	1.11
TL9E080C16UH11	XAFC36D	0.96	0.95	1.11
TL9E080C16UH11	XAFC36D	0.95	0.94	1.09
TL9E080C16UH11	XAFC36D	0.95	0.94	1.09
TL9E080C16UH11	XAHC36D	0.95	0.93	1.11
TL9E080C16UH11	XAHC36D	0.95	0.93	1.11
TL9E080C16UH11	XAHC36D	0.95	0.93	1.11
TL9E100C20UH11	XAFC36D	0.96	0.95	1.12
TL9E100C20UH11	XAFC36D	0.96	0.95	1.12
TL9E100C20UH11	XAFC36D	0.96	0.95	1.12
TL9E100C20UH11	XAHC36D	0.94	0.93	1.12
TL9E100C20UH11	XAHC36D	0.94	0.93	1.12
TL9E100C20UH11	XAHC36D	0.94	0.93	1.12
TM8E040A12MP11	CF36A	0.95	0.94	1.11
TM8E040A12MP11	CF36B	0.95	0.95	1.12
TM8E040A12MP11	CF36B	0.95	0.95	1.12
TM8E040A12MP11	CM36A	0.95	0.94	1.11
TM8E040A12MP11	CM36B	0.95	0.95	1.12
TM8E040A12MP11	CM36B	0.95	0.95	1.12
TM8E040A12MP11	CM36B	0.95	0.95	1.12
TM8E040A12MP11	CU36B	0.95	0.95	1.12
TM8E040A12MP11	XAFA30D	0.95	0.93	1.1
TM8E040A12MP11	XAFA30D	0.95	0.93	1.1
TM8E040A12MP11	XAFB36D	0.97	0.95	1.11
TM8E040A12MP11	XAFB36D	0.95	0.94	1.1
TM8E040A12MP11	XAFB36D	0.95	0.94	1.1
TM8E040A12MP11	XAHB36D	0.94	0.93	1.11
TM8E040A12MP11	XAHB36D	0.94	0.93	1.11
TM8E040A12MP11	XAHB36D	0.94	0.93	1.11
TM8E040A12MP11	XAUB36D	0.95	0.94	1.1
TM8E060A12MP11	CF36A	0.94	0.93	1.13
TM8E060A12MP11	CF36B	0.95	0.94	1.12
TM8E060A12MP11	CF36B	0.95	0.94	1.12
TM8E060A12MP11	CM36A	0.94	0.93	1.13
TM8E060A12MP11	CM36B	0.95	0.94	1.12
TM8E060A12MP11	CM36B	0.95	0.94	1.12
TM8E060A12MP11	CU36B	0.95	0.94	1.12

**Table 28: Cool multiplier furnace - 3 ton (36k)**

Furnace model	Indoor coil model	Total capacity	Sensible capacity	kW
TM8E060A12MP11	XAFA30D	0.94	0.93	1.11
TM8E060A12MP11	XAFA30D	0.94	0.93	1.11
TM8E060A12MP11	XAFB36D	0.96	0.95	1.12
TM8E060A12MP11	XAFB36D	0.95	0.93	1.11
TM8E060A12MP11	XAFB36D	0.95	0.93	1.11
TM8E060A12MP11	XAHB36D	0.94	0.92	1.12
TM8E060A12MP11	XAHB36D	0.94	0.92	1.12
TM8E060A12MP11	XAHB36D	0.94	0.92	1.12
TM8E060A12MP11	XAUB36D	0.95	0.93	1.11
TM8E080B12MP11	CF36B	0.94	0.94	1.12
TM8E080B12MP11	CF36B	0.94	0.94	1.12
TM8E080B12MP11	CF36C	0.94	0.94	1.12
TM8E080B12MP11	CM36B	0.94	0.94	1.12
TM8E080B12MP11	CM36B	0.94	0.94	1.12
TM8E080B12MP11	CM36C	0.94	0.94	1.12
TM8E080B12MP11	CM36C	0.94	0.94	1.12
TM8E080B12MP11	CU36B	0.94	0.94	1.12
TM8E080B12MP11	CU36C	0.94	0.94	1.12
TM8E080B12MP11	CU36C	0.94	0.94	1.12
TM8E080B12MP11	XAFB36D	0.95	0.93	1.15
TM8E080B12MP11	XAFB36D	0.95	0.93	1.15
TM8E080B12MP11	XAFB36D	0.95	0.93	1.15
TM8E080B12MP11	XAFC36D	0.95	0.93	1.14
TM8E080B12MP11	XAFC36D	0.95	0.93	1.11
TM8E080B12MP11	XAFC36D	0.95	0.93	1.11
TM8E080B12MP11	XAHB36D	0.94	0.92	1.12
TM8E080B12MP11	XAHB36D	0.92	0.91	1.11
TM8E080B12MP11	XAHB36D	0.92	0.91	1.11
TM8E080B12MP11	XAHC36D	0.93	0.91	1.15
TM8E080B12MP11	XAHC36D	0.93	0.91	1.15
TM8E080B12MP11	XAHC36D	0.93	0.91	1.15
TM8E080B12MP11	XAUB36D	0.95	0.93	1.15
TM8E080C16MP11	CF36C	0.95	0.95	1.1
TM8E080C16MP11	CM36C	0.95	0.95	1.1
TM8E080C16MP11	CM36C	0.95	0.95	1.1
TM8E080C16MP11	CU36C	0.95	0.95	1.1
TM8E080C16MP11	CU36C	0.95	0.95	1.1
TM8E080C16MP11	XAFC36D	0.97	0.96	1.1
TM8E080C16MP11	XAFC36D	0.95	0.94	1.09
TM8E080C16MP11	XAFC36D	0.95	0.94	1.09
TM8E080C16MP11	XAHC36D	0.95	0.94	1.1
TM8E080C16MP11	XAHC36D	0.95	0.94	1.1
TM8E080C16MP11	XAHC36D	0.95	0.94	1.1
TM8E100B12MP11	CF36B	0.95	0.94	1.12
TM8E100B12MP11	CF36B	0.95	0.94	1.12
TM8E100B12MP11	CF36C	0.95	0.95	1.12
TM8E100B12MP11	CM36B	0.95	0.94	1.12
TM8E100B12MP11	CM36B	0.95	0.94	1.12
TM8E100B12MP11	CM36C	0.95	0.95	1.12
TM8E100B12MP11	CM36C	0.95	0.95	1.12
TM8E100B12MP11	CU36B	0.95	0.94	1.12
TM8E100B12MP11	CU36C	0.95	0.95	1.12
TM8E100B12MP11	CU36C	0.95	0.95	1.12



**Table 28: Cool multiplier furnace - 3 ton (36k)**

Furnace model	Indoor coil model	Total capacity	Sensible capacity	kW
TM8E100B12MP11	XAFB36D	0.96	0.95	1.11
TM8E100B12MP11	XAFB36D	0.96	0.95	1.11
TM8E100B12MP11	XAFB36D	0.96	0.95	1.11
TM8E100B12MP11	XAFC36D	0.96	0.95	1.11
TM8E100B12MP11	XAFC36D	0.95	0.93	1.11
TM8E100B12MP11	XAFC36D	0.95	0.93	1.11
TM8E100B12MP11	XAHB36D	0.94	0.93	1.12
TM8E100B12MP11	XAHB36D	0.93	0.92	1.11
TM8E100B12MP11	XAHB36D	0.93	0.92	1.11
TM8E100B12MP11	XAHC36D	0.94	0.92	1.11
TM8E100B12MP11	XAHC36D	0.94	0.92	1.11
TM8E100B12MP11	XAHC36D	0.94	0.92	1.11
TM8E100B12MP11	XAHC36D	0.94	0.92	1.11
TM8E100B12MP11	XAUB36D	0.96	0.95	1.11
TM8E100C16MP11	CF36C	0.95	0.95	1.1
TM8E100C16MP11	CM36C	0.95	0.95	1.1
TM8E100C16MP11	CM36C	0.95	0.95	1.1
TM8E100C16MP11	CU36C	0.95	0.95	1.1
TM8E100C16MP11	CU36C	0.95	0.95	1.1
TM8E100C16MP11	XAFC36D	0.97	0.95	1.11
TM8E100C16MP11	XAFC36D	0.95	0.94	1.09
TM8E100C16MP11	XAFC36D	0.95	0.94	1.09
TM8E100C16MP11	XAHC36D	0.95	0.93	1.1
TM8E100C16MP11	XAHC36D	0.95	0.93	1.1
TM8E100C16MP11	XAHC36D	0.95	0.93	1.1
TM8E120C16MP11	CF36C	0.95	0.95	1.1
TM8E120C16MP11	CM36C	0.95	0.95	1.1
TM8E120C16MP11	CM36C	0.95	0.95	1.1
TM8E120C16MP11	CU36C	0.95	0.95	1.1
TM8E120C16MP11	CU36C	0.95	0.95	1.1
TM8E120C16MP11	XAFC36D	0.97	0.95	1.1
TM8E120C16MP11	XAFC36D	0.97	0.95	1.1
TM8E120C16MP11	XAFC36D	0.97	0.95	1.1
TM8E120C16MP11	XAHC36D	0.95	0.93	1.1
TM8E120C16MP11	XAHC36D	0.93	0.92	1.09
TM8E120C16MP11	XAHC36D	0.93	0.92	1.09
TM8V060A12MP12C	CF36A	0.95	0.94	1.1
TM8V060A12MP12C	CF36B	0.94	0.94	1.14
TM8V060A12MP12C	CF36B	0.94	0.94	1.14
TM8V060A12MP12C	CM36A	0.95	0.94	1.1
TM8V060A12MP12C	CM36B	0.94	0.94	1.14
TM8V060A12MP12C	CM36B	0.94	0.94	1.14
TM8V060A12MP12C	CU36B	0.94	0.94	1.14
TM8V060A12MP12C	XAFB36D	0.94	0.93	1.13
TM8V060A12MP12C	XAFB36D	0.97	0.95	1.12
TM8V060A12MP12C	XAFB36D	0.97	0.95	1.12
TM8V060A12MP12C	XAHB36D	0.94	0.92	1.12
TM8V060A12MP12C	XAHB36D	0.94	0.92	1.12
TM8V060A12MP12C	XAHB36D	0.94	0.92	1.12
TM8V060A12MP12C	XAUB36D	0.97	0.95	1.12
TM8V080B12MP12C	CF36B	0.95	0.94	1.13
TM8V080B12MP12C	CF36B	0.95	0.94	1.13
TM8V080B12MP12C	CF36C	0.95	0.94	1.11
TM8V080B12MP12C	CM36B	0.95	0.94	1.13

**Table 28: Cool multiplier furnace - 3 ton (36k)**

Furnace model	Indoor coil model	Total capacity	Sensible capacity	kW
TM8V080B12MP12C	CM36B	0.95	0.94	1.13
TM8V080B12MP12C	CM36C	0.95	0.94	1.11
TM8V080B12MP12C	CM36C	0.95	0.94	1.11
TM8V080B12MP12C	CU36B	0.95	0.94	1.13
TM8V080B12MP12C	CU36C	0.95	0.94	1.11
TM8V080B12MP12C	CU36C	0.95	0.94	1.11
TM8V080B12MP12C	XAFB36D	0.96	0.94	1.12
TM8V080B12MP12C	XAFB36D	0.94	0.93	1.12
TM8V080B12MP12C	XAFB36D	0.94	0.93	1.12
TM8V080B12MP12C	XAFC36D	0.96	0.94	1.15
TM8V080B12MP12C	XAFC36D	0.94	0.93	1.11
TM8V080B12MP12C	XAFC36D	0.94	0.93	1.11
TM8V080B12MP12C	XAHB36D	0.94	0.92	1.14
TM8V080B12MP12C	XAHB36D	0.94	0.92	1.14
TM8V080B12MP12C	XAHB36D	0.94	0.92	1.14
TM8V080B12MP12C	XAHC36D	0.94	0.92	1.12
TM8V080B12MP12C	XAHC36D	0.94	0.92	1.12
TM8V080B12MP12C	XAHC36D	0.94	0.92	1.12
TM8V080B12MP12C	XAUB36D	0.94	0.93	1.12
TM8V080C16MP12C	CF36C	0.95	0.95	1.11
TM8V080C16MP12C	CM36C	0.95	0.95	1.11
TM8V080C16MP12C	CM36C	0.95	0.95	1.11
TM8V080C16MP12C	CU36C	0.95	0.95	1.11
TM8V080C16MP12C	CU36C	0.95	0.95	1.11
TM8V080C16MP12C	XAFC36D	0.96	0.95	1.12
TM8V080C16MP12C	XAFC36D	0.95	0.94	1.1
TM8V080C16MP12C	XAFC36D	0.95	0.94	1.1
TM8V080C16MP12C	XAHC36D	0.94	0.93	1.13
TM8V080C16MP12C	XAHC36D	0.93	0.91	1.1
TM8V080C16MP12C	XAHC36D	0.93	0.91	1.1
TM8V100C16MP12C	CF36C	0.95	0.95	1.11
TM8V100C16MP12C	CM36C	0.95	0.95	1.11
TM8V100C16MP12C	CM36C	0.95	0.95	1.11
TM8V100C16MP12C	CU36C	0.95	0.95	1.11
TM8V100C16MP12C	CU36C	0.95	0.95	1.11
TM8V100C16MP12C	XAFC36D	0.96	0.95	1.11
TM8V100C16MP12C	XAFC36D	0.95	0.94	1.1
TM8V100C16MP12C	XAFC36D	0.95	0.94	1.1
TM8V100C16MP12C	XAHC36D	0.94	0.93	1.13
TM8V100C16MP12C	XAHC36D	0.93	0.91	1.1
TM8V100C16MP12C	XAHC36D	0.93	0.91	1.1
TM8V100C20MP12C	CF36C	0.95	0.95	1.1
TM8V100C20MP12C	CM36C	0.95	0.95	1.1
TM8V100C20MP12C	CM36C	0.95	0.95	1.1
TM8V100C20MP12C	CU36C	0.95	0.95	1.1
TM8V100C20MP12C	CU36C	0.95	0.95	1.1
TM8V120C20MP12C	CF36C	0.95	0.95	1.1
TM8V120C20MP12C	CM36C	0.95	0.95	1.1
TM8V120C20MP12C	CM36C	0.95	0.95	1.1
TM8V120C20MP12C	CU36C	0.95	0.95	1.1
TM8V120C20MP12C	CU36C	0.95	0.95	1.1
TM8Y060A12MP11	CF36A	0.95	0.94	1.11
TM8Y060A12MP11	CF36B	0.95	0.94	1.11

**Table 28: Cool multiplier furnace - 3 ton (36k)**

Furnace model	Indoor coil model	Total capacity	Sensible capacity	kW
TM8Y060A12MP11	CF36B	0.95	0.94	1.11
TM8Y060A12MP11	CM36A	0.95	0.94	1.11
TM8Y060A12MP11	CM36B	0.95	0.94	1.11
TM8Y060A12MP11	CM36B	0.95	0.94	1.11
TM8Y060A12MP11	CU36B	0.95	0.94	1.11
TM8Y060A12MP11	XAFA30D	0.95	0.94	1.1
TM8Y060A12MP11	XAFA30D	0.95	0.94	1.1
TM8Y060A12MP11	XAFB36D	0.96	0.95	1.1
TM8Y060A12MP11	XAFB36D	0.96	0.95	1.1
TM8Y060A12MP11	XAFB36D	0.96	0.95	1.1
TM8Y060A12MP11	XAHB36D	0.95	0.93	1.11
TM8Y060A12MP11	XAHB36D	0.93	0.91	1.1
TM8Y060A12MP11	XAHB36D	0.93	0.91	1.1
TM8Y060A12MP11	XAUB36D	0.96	0.95	1.1
TM8Y080B12MP11	CF36B	0.95	0.94	1.11
TM8Y080B12MP11	CF36B	0.95	0.94	1.11
TM8Y080B12MP11	CF36C	0.95	0.95	1.11
TM8Y080B12MP11	CM36B	0.95	0.94	1.11
TM8Y080B12MP11	CM36B	0.95	0.94	1.11
TM8Y080B12MP11	CM36C	0.95	0.95	1.11
TM8Y080B12MP11	CM36C	0.95	0.95	1.11
TM8Y080B12MP11	CU36B	0.95	0.94	1.11
TM8Y080B12MP11	XAFB36D	0.97	0.95	1.11
TM8Y080B12MP11	XAFB36D	0.95	0.94	1.1
TM8Y080B12MP11	XAFB36D	0.95	0.94	1.1
TM8Y080B12MP11	XAFC36D	0.97	0.95	1.1
TM8Y080B12MP11	XAFC36D	0.97	0.95	1.1
TM8Y080B12MP11	XAFC36D	0.97	0.95	1.1
TM8Y080B12MP11	XAFC36D	0.97	0.95	1.1
TM8Y080B12MP11	XAHB36D	0.94	0.93	1.11
TM8Y080B12MP11	XAHB36D	0.93	0.91	1.09
TM8Y080B12MP11	XAHB36D	0.93	0.91	1.09
TM8Y080B12MP11	XAHC36D	0.95	0.93	1.1
TM8Y080B12MP11	XAHC36D	0.95	0.93	1.1
TM8Y080B12MP11	XAHC36D	0.95	0.93	1.1
TM8Y080B12MP11	XAUB36D	0.95	0.94	1.1
TM8Y080C16MP11	CF36C	0.96	0.96	1.08
TM8Y080C16MP11	CM36C	0.96	0.96	1.08
TM8Y080C16MP11	CM36C	0.96	0.96	1.08
TM8Y080C16MP11	XAFC36D	0.96	0.95	1.11
TM8Y080C16MP11	XAFC36D	0.96	0.95	1.11
TM8Y080C16MP11	XAFC36D	0.96	0.95	1.11
TM8Y080C16MP11	XAHC36D	0.94	0.93	1.12
TM8Y080C16MP11	XAHC36D	0.94	0.93	1.12
TM8Y080C16MP11	XAHC36D	0.94	0.93	1.12
TM8Y100C16MP11	XAFC36D	0.96	0.95	1.11
TM8Y100C16MP11	XAFC36D	0.96	0.95	1.11
TM8Y100C16MP11	XAFC36D	0.96	0.95	1.11
TM8Y100C16MP11	XAHC36D	0.95	0.93	1.12
TM8Y100C16MP11	XAHC36D	0.95	0.93	1.12
TM8Y100C16MP11	XAHC36D	0.95	0.93	1.12
TM8Y100C20MP11	XAFC36D	0.97	0.96	1.08
TM8Y100C20MP11	XAFC36D	0.97	0.96	1.08
TM8Y100C20MP11	XAFC36D	0.97	0.96	1.08

**Table 28: Cool multiplier furnace - 3 ton (36k)**

Furnace model	Indoor coil model	Total capacity	Sensible capacity	kW
TM8Y100C20MP11	XAHC36D	0.95	0.94	1.08
TM8Y100C20MP11	XAHC36D	0.94	0.93	1.07
TM8Y100C20MP11	XAHC36D	0.94	0.93	1.07
TM8Y120C20MP11	XAFC36D	0.97	0.96	1.08
TM8Y120C20MP11	XAFC36D	0.97	0.96	1.08
TM8Y120C20MP11	XAFC36D	0.97	0.96	1.08
TM8Y120C20MP11	XAHC36D	0.95	0.94	1.08
TM8Y120C20MP11	XAHC36D	0.94	0.93	1.07
TM8Y120C20MP11	XAHC36D	0.94	0.93	1.07
TM9E060A10MP12	CF36A	0.95	0.94	1.11
TM9E060A10MP12	CF36B	0.95	0.94	1.13
TM9E060A10MP12	CF36B	0.95	0.94	1.13
TM9E060A10MP12	CM36A	0.95	0.94	1.11
TM9E060A10MP12	CM36B	0.95	0.94	1.13
TM9E060A10MP12	CM36B	0.95	0.94	1.13
TM9E060A10MP12	CU36B	0.95	0.94	1.13
TM9E060A10MP12	XAFA30D	0.95	0.93	1.09
TM9E060A10MP12	XAFA30D	0.95	0.93	1.09
TM9E060A10MP12	XAFB36D	0.96	0.94	1.12
TM9E060A10MP12	XAFB36D	0.94	0.93	1.11
TM9E060A10MP12	XAFB36D	0.94	0.93	1.11
TM9E060A10MP12	XAHB36D	0.94	0.93	1.1
TM9E060A10MP12	XAHB36D	0.93	0.92	1.09
TM9E060A10MP12	XAHB36D	0.93	0.92	1.09
TM9E060A10MP12	XAUB36D	0.94	0.93	1.11
TM9E060B12MP12	CF36B	0.95	0.94	1.11
TM9E060B12MP12	CF36B	0.95	0.94	1.11
TM9E060B12MP12	CF36C	0.94	0.94	1.14
TM9E060B12MP12	CM36B	0.95	0.94	1.11
TM9E060B12MP12	CM36B	0.95	0.94	1.11
TM9E060B12MP12	CM36C	0.94	0.94	1.14
TM9E060B12MP12	CM36C	0.94	0.94	1.14
TM9E060B12MP12	CU36B	0.95	0.94	1.11
TM9E060B12MP12	CU36C	0.94	0.94	1.14
TM9E060B12MP12	CU36C	0.94	0.94	1.14
TM9E060B12MP12	XAFB36D	0.96	0.94	1.14
TM9E060B12MP12	XAFB36D	0.95	0.94	1.09
TM9E060B12MP12	XAFB36D	0.95	0.94	1.09
TM9E060B12MP12	XAFC36D	0.96	0.94	1.14
TM9E060B12MP12	XAFC36D	0.95	0.94	1.09
TM9E060B12MP12	XAFC36D	0.95	0.94	1.09
TM9E060B12MP12	XAHB36D	0.94	0.92	1.12
TM9E060B12MP12	XAHB36D	0.93	0.92	1.1
TM9E060B12MP12	XAHB36D	0.93	0.92	1.1
TM9E060B12MP12	XAHC36D	0.94	0.92	1.13
TM9E060B12MP12	XAHC36D	0.93	0.92	1.1
TM9E060B12MP12	XAHC36D	0.93	0.92	1.1
TM9E060B12MP12	XAUB36D	0.95	0.94	1.09
TM9E080B12MP12	CF36B	0.94	0.94	1.12
TM9E080B12MP12	CF36B	0.94	0.94	1.12
TM9E080B12MP12	CF36C	0.94	0.94	1.12
TM9E080B12MP12	CM36B	0.94	0.94	1.12
TM9E080B12MP12	CM36B	0.94	0.94	1.12

**Table 28: Cool multiplier furnace - 3 ton (36k)**

Furnace model	Indoor coil model	Total capacity	Sensible capacity	kW
TM9E080B12MP12	CM36C	0.94	0.94	1.12
TM9E080B12MP12	CM36C	0.94	0.94	1.12
TM9E080B12MP12	CU36B	0.94	0.94	1.12
TM9E080B12MP12	CU36C	0.94	0.94	1.12
TM9E080B12MP12	CU36C	0.94	0.94	1.12
TM9E080B12MP12	XAFB36D	0.95	0.93	1.12
TM9E080B12MP12	XAFB36D	0.95	0.93	1.12
TM9E080B12MP12	XAFB36D	0.95	0.93	1.12
TM9E080B12MP12	XAFC36D	0.95	0.93	1.11
TM9E080B12MP12	XAFC36D	0.95	0.93	1.11
TM9E080B12MP12	XAFC36D	0.95	0.93	1.11
TM9E080B12MP12	XAFC36D	0.95	0.93	1.11
TM9E080B12MP12	XAHB36D	0.94	0.92	1.13
TM9E080B12MP12	XAHB36D	0.92	0.91	1.12
TM9E080B12MP12	XAHB36D	0.92	0.91	1.12
TM9E080B12MP12	XAHC36D	0.94	0.92	1.15
TM9E080B12MP12	XAHC36D	0.93	0.91	1.12
TM9E080B12MP12	XAHC36D	0.93	0.91	1.12
TM9E080B12MP12	XAUB36D	0.95	0.93	1.12
TM9E080C16MP12	CF36C	0.95	0.94	1.1
TM9E080C16MP12	CM36C	0.95	0.94	1.1
TM9E080C16MP12	CM36C	0.95	0.94	1.1
TM9E080C16MP12	CU36C	0.95	0.94	1.1
TM9E080C16MP12	CU36C	0.95	0.94	1.1
TM9E080C16MP12	XAFC36D	0.95	0.94	1.1
TM9E080C16MP12	XAFC36D	0.95	0.94	1.1
TM9E080C16MP12	XAFC36D	0.95	0.94	1.1
TM9E080C16MP12	XAHC36D	0.95	0.93	1.11
TM9E080C16MP12	XAHC36D	0.93	0.92	1.1
TM9E080C16MP12	XAHC36D	0.93	0.92	1.1
TM9E100C16MP12	CF36C	0.95	0.95	1.11
TM9E100C16MP12	CM36C	0.95	0.95	1.11
TM9E100C16MP12	CM36C	0.95	0.95	1.11
TM9E100C16MP12	CU36C	0.95	0.95	1.11
TM9E100C16MP12	CU36C	0.95	0.95	1.11
TM9E100C16MP12	XAFC36D	0.95	0.94	1.09
TM9E100C16MP12	XAFC36D	0.95	0.94	1.09
TM9E100C16MP12	XAFC36D	0.95	0.94	1.09
TM9E100C16MP12	XAHC36D	0.93	0.91	1.09
TM9E100C16MP12	XAHC36D	0.93	0.91	1.09
TM9E100C16MP12	XAHC36D	0.93	0.91	1.09
TM9V040A10MP12C	CF36A	0.96	0.94	1.1
TM9V040A10MP12C	CF36B	0.96	0.94	1.11
TM9V040A10MP12C	CF36B	0.96	0.94	1.11
TM9V040A10MP12C	CM36A	0.96	0.94	1.1
TM9V040A10MP12C	CM36B	0.96	0.94	1.11
TM9V040A10MP12C	CM36B	0.96	0.94	1.11
TM9V040A10MP12C	CU36B	0.96	0.94	1.11
TM9V040A10MP12C	XAFA30D	0.95	0.94	1.09
TM9V040A10MP12C	XAFA30D	0.95	0.94	1.09
TM9V040A10MP12C	XAFB36D	0.97	0.95	1.12
TM9V040A10MP12C	XAFB36D	0.95	0.93	1.09
TM9V040A10MP12C	XAFB36D	0.95	0.93	1.09
TM9V040A10MP12C	XAHB36D	0.94	0.93	1.12

**Table 28: Cool multiplier furnace - 3 ton (36k)**

Furnace model	Indoor coil model	Total capacity	Sensible capacity	kW
TM9V040A10MP12C	XAHB36D	0.93	0.91	1.11
TM9V040A10MP12C	XAHB36D	0.93	0.91	1.11
TM9V040A10MP12C	XAUB36D	0.95	0.93	1.09
TM9V060B12MP12C	CF36B	0.95	0.94	1.11
TM9V060B12MP12C	CF36B	0.95	0.94	1.11
TM9V060B12MP12C	CF36C	0.94	0.93	1.14
TM9V060B12MP12C	CM36B	0.95	0.94	1.11
TM9V060B12MP12C	CM36B	0.95	0.94	1.11
TM9V060B12MP12C	CM36C	0.94	0.93	1.14
TM9V060B12MP12C	CM36C	0.94	0.93	1.14
TM9V060B12MP12C	CU36B	0.95	0.94	1.11
TM9V060B12MP12C	CU36C	0.94	0.93	1.14
TM9V060B12MP12C	CU36C	0.94	0.93	1.14
TM9V060B12MP12C	XAFB36D	0.95	0.93	1.15
TM9V060B12MP12C	XAFB36D	0.95	0.93	1.11
TM9V060B12MP12C	XAFB36D	0.95	0.93	1.11
TM9V060B12MP12C	XAFC36D	0.95	0.93	1.1
TM9V060B12MP12C	XAFC36D	0.95	0.93	1.1
TM9V060B12MP12C	XAFC36D	0.95	0.93	1.1
TM9V060B12MP12C	XAHB36D	0.94	0.92	1.13
TM9V060B12MP12C	XAHB36D	0.92	0.9	1.12
TM9V060B12MP12C	XAHB36D	0.92	0.9	1.12
TM9V060B12MP12C	XAHC36D	0.93	0.91	1.14
TM9V060B12MP12C	XAHC36D	0.93	0.91	1.14
TM9V060B12MP12C	XAHC36D	0.93	0.91	1.14
TM9V060B12MP12C	XAUB36D	0.95	0.93	1.11
TM9V080B12MP12C	CF36B	0.95	0.94	1.12
TM9V080B12MP12C	CF36B	0.95	0.94	1.12
TM9V080B12MP12C	CF36C	0.95	0.95	1.11
TM9V080B12MP12C	CM36B	0.95	0.94	1.12
TM9V080B12MP12C	CM36B	0.95	0.94	1.12
TM9V080B12MP12C	CM36C	0.95	0.95	1.11
TM9V080B12MP12C	CM36C	0.95	0.95	1.11
TM9V080B12MP12C	CU36B	0.95	0.94	1.12
TM9V080B12MP12C	CU36C	0.95	0.95	1.11
TM9V080B12MP12C	CU36C	0.95	0.95	1.11
TM9V080B12MP12C	XAFB36D	0.95	0.93	1.15
TM9V080B12MP12C	XAFB36D	0.95	0.93	1.11
TM9V080B12MP12C	XAFB36D	0.95	0.93	1.11
TM9V080B12MP12C	XAFC36D	0.95	0.93	1.11
TM9V080B12MP12C	XAFC36D	0.95	0.93	1.11
TM9V080B12MP12C	XAFC36D	0.95	0.93	1.11
TM9V080B12MP12C	XAHB36D	0.94	0.92	1.14
TM9V080B12MP12C	XAHB36D	0.94	0.92	1.14
TM9V080B12MP12C	XAHB36D	0.94	0.92	1.14
TM9V080B12MP12C	XAHC36D	0.93	0.91	1.15
TM9V080B12MP12C	XAHC36D	0.93	0.91	1.15
TM9V080B12MP12C	XAHC36D	0.93	0.91	1.15
TM9V080B12MP12C	XAUB36D	0.95	0.93	1.11
TM9V080C16MP12C	CF36C	0.95	0.94	1.1
TM9V080C16MP12C	CM36C	0.95	0.94	1.1
TM9V080C16MP12C	CM36C	0.95	0.94	1.1
TM9V080C16MP12C	CU36C	0.95	0.94	1.1

**Table 28: Cool multiplier furnace - 3 ton (36k)**

Furnace model	Indoor coil model	Total capacity	Sensible capacity	kW
TM9V080C16MP12C	CU36C	0.95	0.94	1.1
TM9V080C16MP12C	XAFC36D	0.95	0.94	1.1
TM9V080C16MP12C	XAFC36D	0.95	0.94	1.1
TM9V080C16MP12C	XAFC36D	0.95	0.94	1.1
TM9V080C16MP12C	XAHC36D	0.93	0.91	1.14
TM9V080C16MP12C	XAHC36D	0.93	0.91	1.14
TM9V080C16MP12C	XAHC36D	0.93	0.91	1.14
TM9V100C16MP12C	CF36C	0.95	0.95	1.1
TM9V100C16MP12C	CM36C	0.95	0.95	1.1
TM9V100C16MP12C	CM36C	0.95	0.95	1.1
TM9V100C16MP12C	CU36C	0.95	0.95	1.1
TM9V100C16MP12C	CU36C	0.95	0.95	1.1
TM9V100C16MP12C	XAFC36D	0.96	0.95	1.12
TM9V100C16MP12C	XAFC36D	0.95	0.94	1.1
TM9V100C16MP12C	XAFC36D	0.95	0.94	1.1
TM9V100C16MP12C	XAHC36D	0.94	0.93	1.12
TM9V100C16MP12C	XAHC36D	0.93	0.92	1.1
TM9V100C16MP12C	XAHC36D	0.93	0.92	1.1
TM9V100C20MP12C	CF36C	0.95	0.95	1.1
TM9V100C20MP12C	CM36C	0.95	0.95	1.1
TM9V100C20MP12C	CM36C	0.95	0.95	1.1
TM9V100C20MP12C	CU36C	0.95	0.95	1.1
TM9V100C20MP12C	CU36C	0.95	0.95	1.1
TM9V100C20MP12C	XAFC36D	0.95	0.94	1.1
TM9V100C20MP12C	XAFC36D	0.95	0.94	1.1
TM9V100C20MP12C	XAFC36D	0.95	0.94	1.1
TM9V100C20MP12C	XAHC36D	0.93	0.91	1.12
TM9V100C20MP12C	XAHC36D	0.93	0.91	1.12
TM9V100C20MP12C	XAHC36D	0.93	0.91	1.12
TM9Y060B12MP11	CF36B	0.95	0.94	1.12
TM9Y060B12MP11	CF36B	0.95	0.94	1.12
TM9Y060B12MP11	CF36C	0.95	0.94	1.12
TM9Y060B12MP11	CM36B	0.95	0.94	1.12
TM9Y060B12MP11	CM36B	0.95	0.94	1.12
TM9Y060B12MP11	CM36C	0.95	0.94	1.12
TM9Y060B12MP11	CM36C	0.95	0.94	1.12
TM9Y060B12MP11	CU36B	0.95	0.94	1.12
TM9Y060B12MP11	CU36C	0.95	0.94	1.12
TM9Y060B12MP11	CU36C	0.95	0.94	1.12
TM9Y060B12MP11	XAFB36D	0.95	0.93	1.1
TM9Y060B12MP11	XAFB36D	0.95	0.93	1.1
TM9Y060B12MP11	XAFB36D	0.95	0.93	1.1
TM9Y060B12MP11	XAFC36D	0.95	0.93	1.1
TM9Y060B12MP11	XAFC36D	0.96	0.94	1.13
TM9Y060B12MP11	XAFC36D	0.96	0.94	1.13
TM9Y060B12MP11	XAHB36D	0.94	0.93	1.12
TM9Y060B12MP11	XAHB36D	0.94	0.93	1.08
TM9Y060B12MP11	XAHB36D	0.94	0.93	1.08
TM9Y060B12MP11	XAHC36D	0.94	0.92	1.13
TM9Y060B12MP11	XAHC36D	0.94	0.92	1.13
TM9Y060B12MP11	XAHC36D	0.94	0.92	1.13
TM9Y060B12MP11	XAUB36D	0.95	0.93	1.1
TM9Y080B12MP11	CF36B	0.95	0.94	1.11

**Table 28: Cool multiplier furnace - 3 ton (36k)**

Furnace model	Indoor coil model	Total capacity	Sensible capacity	kW
TM9Y080B12MP11	CF36B	0.95	0.94	1.11
TM9Y080B12MP11	CF36C	0.95	0.94	1.11
TM9Y080B12MP11	CM36B	0.95	0.94	1.11
TM9Y080B12MP11	CM36B	0.95	0.94	1.11
TM9Y080B12MP11	CM36C	0.95	0.94	1.11
TM9Y080B12MP11	CM36C	0.95	0.94	1.11
TM9Y080B12MP11	CU36B	0.95	0.94	1.11
TM9Y080B12MP11	CU36C	0.95	0.94	1.11
TM9Y080B12MP11	CU36C	0.95	0.94	1.11
TM9Y080B12MP11	XAFB36D	0.96	0.94	1.14
TM9Y080B12MP11	XAFB36D	0.95	0.93	1.1
TM9Y080B12MP11	XAFB36D	0.95	0.93	1.1
TM9Y080B12MP11	XAFC36D	0.96	0.94	1.14
TM9Y080B12MP11	XAFC36D	0.95	0.94	1.1
TM9Y080B12MP11	XAFC36D	0.95	0.94	1.1
TM9Y080B12MP11	XAHB36D	0.94	0.93	1.12
TM9Y080B12MP11	XAHB36D	0.92	0.91	1.1
TM9Y080B12MP11	XAHB36D	0.92	0.91	1.1
TM9Y080B12MP11	XAHC36D	0.93	0.92	1.14
TM9Y080B12MP11	XAHC36D	0.93	0.92	1.14
TM9Y080B12MP11	XAHC36D	0.93	0.92	1.14
TM9Y080B12MP11	XAUB36D	0.95	0.93	1.1
TM9Y080C16MP11	CF36C	0.95	0.95	1.12
TM9Y080C16MP11	CM36C	0.95	0.95	1.12
TM9Y080C16MP11	CM36C	0.95	0.95	1.12
TM9Y080C16MP11	CU36C	0.95	0.95	1.12
TM9Y080C16MP11	CU36C	0.95	0.95	1.12
TM9Y080C16MP11	XAFC36D	0.95	0.94	1.1
TM9Y080C16MP11	XAFC36D	0.95	0.94	1.1
TM9Y080C16MP11	XAFC36D	0.95	0.94	1.1
TM9Y080C16MP11	XAHC36D	0.94	0.93	1.11
TM9Y080C16MP11	XAHC36D	0.94	0.93	1.11
TM9Y080C16MP11	XAHC36D	0.94	0.93	1.11
TM9Y100C16MP11	CF36C	0.96	0.96	1.09
TM9Y100C16MP11	CM36C	0.96	0.96	1.09
TM9Y100C16MP11	CM36C	0.96	0.96	1.09
TM9Y100C16MP11	CU36C	0.96	0.96	1.09
TM9Y100C16MP11	CU36C	0.96	0.96	1.09
TM9Y100C16MP11	XAFC36D	0.97	0.95	1.11
TM9Y100C16MP11	XAFC36D	0.95	0.94	1.1
TM9Y100C16MP11	XAFC36D	0.95	0.94	1.1
TM9Y100C16MP11	XAHC36D	0.93	0.92	1.1
TM9Y100C16MP11	XAHC36D	0.93	0.92	1.1
TM9Y100C16MP11	XAHC36D	0.93	0.92	1.1
TMLE040A12MP11	CF36A	0.95	0.94	1.11
TMLE040A12MP11	CF36B	0.95	0.95	1.12
TMLE040A12MP11	CF36B	0.95	0.95	1.12
TMLE040A12MP11	CM36A	0.95	0.94	1.11
TMLE040A12MP11	CM36B	0.95	0.95	1.12
TMLE040A12MP11	CM36B	0.95	0.95	1.12
TMLE040A12MP11	CU36B	0.95	0.95	1.12
TMLE040A12MP11	XAFA30D	0.95	0.93	1.1
TMLE040A12MP11	XAFA30D	0.95	0.93	1.1



**Table 28: Cool multiplier furnace - 3 ton (36k)**

Furnace model	Indoor coil model	Total capacity	Sensible capacity	kW
TMLE040A12MP11	XAFB36D	0.97	0.95	1.11
TMLE040A12MP11	XAFB36D	0.95	0.94	1.1
TMLE040A12MP11	XAFB36D	0.95	0.94	1.1
TMLE040A12MP11	XAHB36D	0.94	0.93	1.11
TMLE040A12MP11	XAHB36D	0.94	0.93	1.11
TMLE040A12MP11	XAHB36D	0.94	0.93	1.11
TMLE040A12MP11	XAUB36D	0.95	0.94	1.1
TMLE060A12MP11	CF36A	0.94	0.93	1.13
TMLE060A12MP11	CF36B	0.95	0.94	1.12
TMLE060A12MP11	CF36B	0.95	0.94	1.12
TMLE060A12MP11	CM36A	0.94	0.93	1.13
TMLE060A12MP11	CM36B	0.95	0.94	1.12
TMLE060A12MP11	CM36B	0.95	0.94	1.12
TMLE060A12MP11	CU36B	0.95	0.94	1.12
TMLE060A12MP11	XAFA30D	0.94	0.93	1.11
TMLE060A12MP11	XAFA30D	0.94	0.93	1.11
TMLE060A12MP11	XAFB36D	0.96	0.95	1.12
TMLE060A12MP11	XAFB36D	0.95	0.93	1.11
TMLE060A12MP11	XAFB36D	0.95	0.93	1.11
TMLE060A12MP11	XAHB36D	0.94	0.92	1.12
TMLE060A12MP11	XAHB36D	0.94	0.92	1.12
TMLE060A12MP11	XAHB36D	0.94	0.92	1.12
TMLE060A12MP11	XAUB36D	0.95	0.93	1.11
TMLE080B12MP11	CF36B	0.94	0.94	1.12
TMLE080B12MP11	CF36B	0.94	0.94	1.12
TMLE080B12MP11	CF36C	0.94	0.94	1.12
TMLE080B12MP11	CM36B	0.94	0.94	1.12
TMLE080B12MP11	CM36B	0.94	0.94	1.12
TMLE080B12MP11	CM36C	0.94	0.94	1.12
TMLE080B12MP11	CM36C	0.94	0.94	1.12
TMLE080B12MP11	CU36B	0.94	0.94	1.12
TMLE080B12MP11	CU36C	0.94	0.94	1.12
TMLE080B12MP11	CU36C	0.94	0.94	1.12
TMLE080B12MP11	XAFB36D	0.95	0.93	1.15
TMLE080B12MP11	XAFB36D	0.95	0.93	1.15
TMLE080B12MP11	XAFB36D	0.95	0.93	1.15
TMLE080B12MP11	XAFC36D	0.95	0.93	1.14
TMLE080B12MP11	XAFC36D	0.95	0.93	1.11
TMLE080B12MP11	XAFC36D	0.95	0.93	1.11
TMLE080B12MP11	XAHB36D	0.94	0.92	1.12
TMLE080B12MP11	XAHB36D	0.92	0.91	1.11
TMLE080B12MP11	XAHB36D	0.92	0.91	1.11
TMLE080B12MP11	XAHC36D	0.93	0.91	1.15
TMLE080B12MP11	XAHC36D	0.93	0.91	1.15
TMLE080B12MP11	XAHC36D	0.93	0.91	1.15
TMLE080B12MP11	XAUB36D	0.95	0.93	1.15
TMLE080C16MP11	CF36C	0.95	0.95	1.1
TMLE080C16MP11	CM36C	0.95	0.95	1.1
TMLE080C16MP11	CM36C	0.95	0.95	1.1
TMLE080C16MP11	CU36C	0.95	0.95	1.1
TMLE080C16MP11	CU36C	0.95	0.95	1.1
TMLE080C16MP11	XAFC36D	0.97	0.96	1.1
TMLE080C16MP11	XAFC36D	0.95	0.94	1.09

**Table 28: Cool multiplier furnace - 3 ton (36k)**

Furnace model	Indoor coil model	Total capacity	Sensible capacity	kW
TMLE080C16MP11	XAFC36D	0.95	0.94	1.09
TMLE080C16MP11	XAHC36D	0.95	0.94	1.1
TMLE080C16MP11	XAHC36D	0.95	0.94	1.1
TMLE080C16MP11	XAHC36D	0.95	0.94	1.1
TMLE100B12MP11	CF36B	0.95	0.94	1.12
TMLE100B12MP11	CF36B	0.95	0.94	1.12
TMLE100B12MP11	CF36C	0.95	0.95	1.12
TMLE100B12MP11	CM36B	0.95	0.94	1.12
TMLE100B12MP11	CM36B	0.95	0.94	1.12
TMLE100B12MP11	CM36C	0.95	0.95	1.12
TMLE100B12MP11	CM36C	0.95	0.95	1.12
TMLE100B12MP11	CM36C	0.95	0.95	1.12
TMLE100B12MP11	CU36B	0.95	0.94	1.12
TMLE100B12MP11	CU36C	0.95	0.95	1.12
TMLE100B12MP11	CU36C	0.95	0.95	1.12
TMLE100B12MP11	XAFB36D	0.96	0.95	1.11
TMLE100B12MP11	XAFB36D	0.96	0.95	1.11
TMLE100B12MP11	XAFB36D	0.96	0.95	1.11
TMLE100B12MP11	XAFC36D	0.96	0.95	1.11
TMLE100B12MP11	XAFC36D	0.95	0.93	1.11
TMLE100B12MP11	XAFC36D	0.95	0.93	1.11
TMLE100B12MP11	XAHB36D	0.94	0.93	1.12
TMLE100B12MP11	XAHB36D	0.93	0.92	1.11
TMLE100B12MP11	XAHB36D	0.93	0.92	1.11
TMLE100B12MP11	XAHC36D	0.94	0.92	1.11
TMLE100B12MP11	XAHC36D	0.94	0.92	1.11
TMLE100B12MP11	XAHC36D	0.94	0.92	1.11
TMLE100B12MP11	XAUB36D	0.96	0.95	1.11
TMLE100C16MP11	CF36C	0.95	0.95	1.1
TMLE100C16MP11	CM36C	0.95	0.95	1.1
TMLE100C16MP11	CM36C	0.95	0.95	1.1
TMLE100C16MP11	CU36C	0.95	0.95	1.1
TMLE100C16MP11	CU36C	0.95	0.95	1.1
TMLE100C16MP11	XAFC36D	0.97	0.95	1.11
TMLE100C16MP11	XAFC36D	0.95	0.94	1.09
TMLE100C16MP11	XAFC36D	0.95	0.94	1.09
TMLE100C16MP11	XAHC36D	0.95	0.93	1.1
TMLE100C16MP11	XAHC36D	0.95	0.93	1.1
TMLE100C16MP11	XAHC36D	0.95	0.93	1.1
TMLE120C16MP11	CF36C	0.95	0.95	1.1
TMLE120C16MP11	CM36C	0.95	0.95	1.1
TMLE120C16MP11	CM36C	0.95	0.95	1.1
TMLE120C16MP11	CU36C	0.95	0.95	1.1
TMLE120C16MP11	CU36C	0.95	0.95	1.1
TMLE120C16MP11	XAFC36D	0.97	0.95	1.1
TMLE120C16MP11	XAFC36D	0.97	0.95	1.1
TMLE120C16MP11	XAFC36D	0.97	0.95	1.1
TMLE120C16MP11	XAHC36D	0.95	0.93	1.1
TMLE120C16MP11	XAHC36D	0.93	0.92	1.09
TMLE120C16MP11	XAHC36D	0.93	0.92	1.09
TMLV060A12MP12C	CF36A	0.95	0.94	1.1
TMLV060A12MP12C	CF36B	0.94	0.94	1.14
TMLV060A12MP12C	CF36B	0.94	0.94	1.14
TMLV060A12MP12C	CM36A	0.95	0.94	1.1

**Table 28: Cool multiplier furnace - 3 ton (36k)**

Furnace model	Indoor coil model	Total capacity	Sensible capacity	kW
TMLV060A12MP12C	CM36B	0.94	0.94	1.14
TMLV060A12MP12C	CM36B	0.94	0.94	1.14
TMLV060A12MP12C	CU36B	0.94	0.94	1.14
TMLV060A12MP12C	XAFB36D	0.94	0.93	1.13
TMLV060A12MP12C	XAFB36D	0.97	0.95	1.12
TMLV060A12MP12C	XAFB36D	0.97	0.95	1.12
TMLV060A12MP12C	XAHB36D	0.94	0.92	1.12
TMLV060A12MP12C	XAHB36D	0.94	0.92	1.12
TMLV060A12MP12C	XAHB36D	0.94	0.92	1.12
TMLV060A12MP12C	XAUB36D	0.97	0.95	1.12
TMLV100C16MP12C	CF36C	0.95	0.95	1.11
TMLV100C16MP12C	CM36C	0.95	0.95	1.11
TMLV100C16MP12C	CM36C	0.95	0.95	1.11
TMLV100C16MP12C	CU36C	0.95	0.95	1.11
TMLV100C16MP12C	CU36C	0.95	0.95	1.11
TMLV100C16MP12C	XAFC36D	0.96	0.95	1.11
TMLV100C16MP12C	XAFC36D	0.95	0.94	1.1
TMLV100C16MP12C	XAFC36D	0.95	0.94	1.1
TMLV100C16MP12C	XAHC36D	0.94	0.93	1.13
TMLV100C16MP12C	XAHC36D	0.93	0.91	1.1
TMLV100C16MP12C	XAHC36D	0.93	0.91	1.1
TMLV120C20MP12C	CF36C	0.95	0.95	1.1
TMLV120C20MP12C	CM36C	0.95	0.95	1.1
TMLV120C20MP12C	CM36C	0.95	0.95	1.1
TMLV120C20MP12C	CU36C	0.95	0.95	1.1
TMLV120C20MP12C	CU36C	0.95	0.95	1.1
TP9C060B12MP13C	CF36B	0.95	0.94	1.11
TP9C060B12MP13C	CF36B	0.95	0.94	1.11
TP9C060B12MP13C	CF36C	0.94	0.93	1.14
TP9C060B12MP13C	CM36B	0.95	0.94	1.11
TP9C060B12MP13C	CM36B	0.95	0.94	1.11
TP9C060B12MP13C	CM36C	0.94	0.93	1.14
TP9C060B12MP13C	CM36C	0.94	0.93	1.14
TP9C060B12MP13C	CU36B	0.95	0.94	1.11
TP9C060B12MP13C	CU36C	0.94	0.93	1.14
TP9C060B12MP13C	CU36C	0.94	0.93	1.14
TP9C060B12MP13C	XAFB36D	0.95	0.93	1.15
TP9C060B12MP13C	XAFB36D	0.95	0.93	1.11
TP9C060B12MP13C	XAFB36D	0.95	0.93	1.11
TP9C060B12MP13C	XAFC36D	0.95	0.93	1.1
TP9C060B12MP13C	XAFC36D	0.95	0.93	1.1
TP9C060B12MP13C	XAFC36D	0.95	0.93	1.1
TP9C060B12MP13C	XAHB36D	0.94	0.92	1.13
TP9C060B12MP13C	XAHB36D	0.92	0.9	1.12
TP9C060B12MP13C	XAHB36D	0.92	0.9	1.12
TP9C060B12MP13C	XAHC36D	0.93	0.91	1.14
TP9C060B12MP13C	XAHC36D	0.93	0.91	1.14
TP9C060B12MP13C	XAHC36D	0.93	0.91	1.14
TP9C060B12MP13C	XAUB36D	0.95	0.93	1.11
TP9C080B12MP13C	CF36B	0.95	0.94	1.12
TP9C080B12MP13C	CF36B	0.95	0.94	1.12
TP9C080B12MP13C	CF36C	0.95	0.95	1.11
TP9C080B12MP13C	CM36B	0.95	0.94	1.12

**Table 28: Cool multiplier furnace - 3 ton (36k)**

Furnace model	Indoor coil model	Total capacity	Sensible capacity	kW
TP9C080B12MP13C	CM36B	0.95	0.94	1.12
TP9C080B12MP13C	CM36C	0.95	0.95	1.11
TP9C080B12MP13C	CM36C	0.95	0.95	1.11
TP9C080B12MP13C	CU36B	0.95	0.94	1.12
TP9C080B12MP13C	CU36C	0.95	0.95	1.11
TP9C080B12MP13C	CU36C	0.95	0.95	1.11
TP9C080B12MP13C	XAFB36D	0.95	0.93	1.15
TP9C080B12MP13C	XAFB36D	0.95	0.93	1.11
TP9C080B12MP13C	XAFB36D	0.95	0.93	1.11
TP9C080B12MP13C	XAFC36D	0.95	0.93	1.11
TP9C080B12MP13C	XAFC36D	0.95	0.93	1.11
TP9C080B12MP13C	XAFC36D	0.95	0.93	1.11
TP9C080B12MP13C	XAHB36D	0.94	0.92	1.14
TP9C080B12MP13C	XAHB36D	0.94	0.92	1.14
TP9C080B12MP13C	XAHB36D	0.94	0.92	1.14
TP9C080B12MP13C	XAHC36D	0.93	0.91	1.15
TP9C080B12MP13C	XAHC36D	0.93	0.91	1.15
TP9C080B12MP13C	XAHC36D	0.93	0.91	1.15
TP9C080B12MP13C	XAUB36D	0.95	0.93	1.11
TP9C080C16MP13C	CF36C	0.95	0.94	1.1
TP9C080C16MP13C	CM36C	0.95	0.94	1.1
TP9C080C16MP13C	CM36C	0.95	0.94	1.1
TP9C080C16MP13C	CU36C	0.95	0.94	1.1
TP9C080C16MP13C	CU36C	0.95	0.94	1.1
TP9C080C16MP13C	XAFC36D	0.95	0.94	1.1
TP9C080C16MP13C	XAFC36D	0.95	0.94	1.1
TP9C080C16MP13C	XAFC36D	0.95	0.94	1.1
TP9C080C16MP13C	XAHC36D	0.93	0.91	1.14
TP9C080C16MP13C	XAHC36D	0.93	0.91	1.14
TP9C080C16MP13C	XAHC36D	0.93	0.91	1.14
TP9C100C16MP13C	CF36C	0.95	0.95	1.1
TP9C100C16MP13C	CM36C	0.95	0.95	1.1
TP9C100C16MP13C	CM36C	0.95	0.95	1.1
TP9C100C16MP13C	CU36C	0.95	0.95	1.1
TP9C100C16MP13C	CU36C	0.95	0.95	1.1
TP9C100C16MP13C	XAFC36D	0.96	0.95	1.12
TP9C100C16MP13C	XAFC36D	0.95	0.94	1.1
TP9C100C16MP13C	XAFC36D	0.95	0.94	1.1
TP9C100C16MP13C	XAHC36D	0.94	0.93	1.12
TP9C100C16MP13C	XAHC36D	0.93	0.92	1.1
TP9C100C16MP13C	XAHC36D	0.93	0.92	1.1
TP9C100C20MP13C	CF36C	0.95	0.95	1.1
TP9C100C20MP13C	CM36C	0.95	0.95	1.1
TP9C100C20MP13C	CM36C	0.95	0.95	1.1
TP9C100C20MP13C	CU36C	0.95	0.95	1.1
TP9C100C20MP13C	CU36C	0.95	0.95	1.1
TP9C100C20MP13C	XAFC36D	0.95	0.94	1.1
TP9C100C20MP13C	XAFC36D	0.95	0.94	1.1
TP9C100C20MP13C	XAFC36D	0.95	0.94	1.1
TP9C100C20MP13C	XAHC36D	0.93	0.91	1.12
TP9C100C20MP13C	XAHC36D	0.93	0.91	1.12
TP9C100C20MP13C	XAHC36D	0.93	0.91	1.12
TPLC060A12MP13C	CF36A	0.95	0.94	1.1

**Table 28: Cool multiplier furnace - 3 ton (36k)**

Furnace model	Indoor coil model	Total capacity	Sensible capacity	kW
TPLC060A12MP13C	CF36B	0.94	0.94	1.14
TPLC060A12MP13C	CF36B	0.94	0.94	1.14
TPLC060A12MP13C	CM36A	0.95	0.94	1.1
TPLC060A12MP13C	CM36B	0.94	0.94	1.14
TPLC060A12MP13C	CM36B	0.94	0.94	1.14
TPLC060A12MP13C	CU36B	0.94	0.94	1.14
TPLC060A12MP13C	XAFB36D	0.94	0.93	1.13
TPLC060A12MP13C	XAFB36D	0.97	0.95	1.12
TPLC060A12MP13C	XAFB36D	0.97	0.95	1.12
TPLC060A12MP13C	XAHB36D	0.94	0.92	1.12
TPLC060A12MP13C	XAHB36D	0.94	0.92	1.12
TPLC060A12MP13C	XAHB36D	0.94	0.92	1.12
TPLC060A12MP13C	XAUB36D	0.97	0.95	1.12
TPLC080B12MP13C	CF36B	0.95	0.94	1.13
TPLC080B12MP13C	CF36B	0.95	0.94	1.13
TPLC080B12MP13C	CF36C	0.95	0.94	1.11
TPLC080B12MP13C	CM36B	0.95	0.94	1.13
TPLC080B12MP13C	CM36B	0.95	0.94	1.13
TPLC080B12MP13C	CM36C	0.95	0.94	1.11
TPLC080B12MP13C	CM36C	0.95	0.94	1.11
TPLC080B12MP13C	CU36B	0.95	0.94	1.13
TPLC080B12MP13C	CU36C	0.95	0.94	1.11
TPLC080B12MP13C	CU36C	0.95	0.94	1.11
TPLC080B12MP13C	XAFB36D	0.96	0.94	1.12
TPLC080B12MP13C	XAFB36D	0.94	0.93	1.12
TPLC080B12MP13C	XAFB36D	0.94	0.93	1.12
TPLC080B12MP13C	XAFC36D	0.96	0.94	1.15
TPLC080B12MP13C	XAFC36D	0.94	0.93	1.11
TPLC080B12MP13C	XAFC36D	0.94	0.93	1.11
TPLC080B12MP13C	XAHB36D	0.94	0.92	1.14
TPLC080B12MP13C	XAHB36D	0.94	0.92	1.14
TPLC080B12MP13C	XAHB36D	0.94	0.92	1.14
TPLC080B12MP13C	XAHC36D	0.94	0.92	1.12
TPLC080B12MP13C	XAHC36D	0.94	0.92	1.12
TPLC080B12MP13C	XAHC36D	0.94	0.92	1.12
TPLC080B12MP13C	XAUB36D	0.94	0.93	1.12
TPLC080C16MP13C	CF36C	0.95	0.95	1.11
TPLC080C16MP13C	CM36C	0.95	0.95	1.11
TPLC080C16MP13C	CM36C	0.95	0.95	1.11
TPLC080C16MP13C	CU36C	0.95	0.95	1.11
TPLC080C16MP13C	CU36C	0.95	0.95	1.11
TPLC080C16MP13C	XAFC36D	0.96	0.95	1.11
TPLC080C16MP13C	XAFC36D	0.95	0.94	1.1
TPLC080C16MP13C	XAFC36D	0.95	0.94	1.1
TPLC080C16MP13C	XAHC36D	0.94	0.93	1.13
TPLC080C16MP13C	XAHC36D	0.93	0.91	1.1
TPLC080C16MP13C	XAHC36D	0.93	0.91	1.1
TPLC100C16MP13C	CF36C	0.95	0.95	1.11
TPLC100C16MP13C	CM36C	0.95	0.95	1.11
TPLC100C16MP13C	CM36C	0.95	0.95	1.11
TPLC100C16MP13C	CU36C	0.95	0.95	1.11
TPLC100C16MP13C	CU36C	0.95	0.95	1.11
TPLC100C16MP13C	XAFC36D	0.96	0.95	1.11

**Table 28: Cool multiplier furnace - 3 ton (36k)**

Furnace model	Indoor coil model	Total capacity	Sensible capacity	kW
TPLC100C16MP13C	XAFC36D	0.95	0.94	1.1
TPLC100C16MP13C	XAFC36D	0.95	0.94	1.1
TPLC100C16MP13C	XAHC36D	0.94	0.93	1.13
TPLC100C16MP13C	XAHC36D	0.93	0.91	1.1
TPLC100C16MP13C	XAHC36D	0.93	0.91	1.1
TPLC100C20MP13C	CF36C	0.95	0.95	1.1
TPLC100C20MP13C	CM36C	0.95	0.95	1.1
TPLC100C20MP13C	CM36C	0.95	0.95	1.1
TPLC100C20MP13C	CU36C	0.95	0.95	1.1
TPLC100C20MP13C	CU36C	0.95	0.95	1.1
TPLC120C20MP13C	CF36C	0.95	0.95	1.1
TPLC120C20MP13C	CM36C	0.95	0.95	1.1
TPLC120C20MP13C	CM36C	0.95	0.95	1.1
TPLC120C20MP13C	CU36C	0.95	0.95	1.1
TPLC120C20MP13C	CU36C	0.95	0.95	1.1
YP9C060B12MP13C	CF36B	0.95	0.94	1.11
YP9C060B12MP13C	CF36B	0.95	0.94	1.11
YP9C060B12MP13C	CF36C	0.94	0.93	1.14
YP9C060B12MP13C	CM36B	0.95	0.94	1.11
YP9C060B12MP13C	CM36B	0.95	0.94	1.11
YP9C060B12MP13C	CM36C	0.94	0.93	1.14
YP9C060B12MP13C	CM36C	0.94	0.93	1.14
YP9C060B12MP13C	CU36B	0.95	0.94	1.11
YP9C060B12MP13C	CU36C	0.94	0.93	1.14
YP9C060B12MP13C	CU36C	0.94	0.93	1.14
YP9C060B12MP13C	XAFB36D	0.95	0.93	1.15
YP9C060B12MP13C	XAFB36D	0.95	0.93	1.11
YP9C060B12MP13C	XAFB36D	0.95	0.93	1.11
YP9C060B12MP13C	XAFC36D	0.95	0.93	1.1
YP9C060B12MP13C	XAFC36D	0.95	0.93	1.1
YP9C060B12MP13C	XAFC36D	0.95	0.93	1.1
YP9C060B12MP13C	XAHB36D	0.94	0.92	1.13
YP9C060B12MP13C	XAHB36D	0.92	0.9	1.12
YP9C060B12MP13C	XAHB36D	0.92	0.9	1.12
YP9C060B12MP13C	XAHC36D	0.93	0.91	1.14
YP9C060B12MP13C	XAHC36D	0.93	0.91	1.14
YP9C060B12MP13C	XAHC36D	0.93	0.91	1.14
YP9C060B12MP13C	XAUB36D	0.95	0.93	1.11
YP9C080B12MP13C	CF36B	0.95	0.94	1.12
YP9C080B12MP13C	CF36B	0.95	0.94	1.12
YP9C080B12MP13C	CF36C	0.95	0.95	1.11
YP9C080B12MP13C	CM36B	0.95	0.94	1.12
YP9C080B12MP13C	CM36B	0.95	0.94	1.12
YP9C080B12MP13C	CM36C	0.95	0.95	1.11
YP9C080B12MP13C	CM36C	0.95	0.95	1.11
YP9C080B12MP13C	CU36B	0.95	0.94	1.12
YP9C080B12MP13C	CU36C	0.95	0.95	1.11
YP9C080B12MP13C	CU36C	0.95	0.95	1.11
YP9C080B12MP13C	XAFB36D	0.95	0.93	1.15
YP9C080B12MP13C	XAFB36D	0.95	0.93	1.11
YP9C080B12MP13C	XAFB36D	0.95	0.93	1.11
YP9C080B12MP13C	XAFC36D	0.95	0.93	1.11
YP9C080B12MP13C	XAFC36D	0.95	0.93	1.11

**Table 28: Cool multiplier furnace - 3 ton (36k)**

Furnace model	Indoor coil model	Total capacity	Sensible capacity	kW
YP9C080B12MP13C	XAFC36D	0.95	0.93	1.11
YP9C080B12MP13C	XAHB36D	0.94	0.92	1.14
YP9C080B12MP13C	XAHB36D	0.94	0.92	1.14
YP9C080B12MP13C	XAHB36D	0.94	0.92	1.14
YP9C080B12MP13C	XAHC36D	0.93	0.91	1.15
YP9C080B12MP13C	XAHC36D	0.93	0.91	1.15
YP9C080B12MP13C	XAHC36D	0.93	0.91	1.15
YP9C080B12MP13C	XAUB36D	0.95	0.93	1.11
YP9C080C16MP13C	CF36C	0.95	0.94	1.1
YP9C080C16MP13C	CM36C	0.95	0.94	1.1
YP9C080C16MP13C	CM36C	0.95	0.94	1.1
YP9C080C16MP13C	CU36C	0.95	0.94	1.1
YP9C080C16MP13C	CU36C	0.95	0.94	1.1
YP9C080C16MP13C	XAFC36D	0.95	0.94	1.1
YP9C080C16MP13C	XAFC36D	0.95	0.94	1.1
YP9C080C16MP13C	XAFC36D	0.95	0.94	1.1
YP9C080C16MP13C	XAHC36D	0.93	0.91	1.14
YP9C080C16MP13C	XAHC36D	0.93	0.91	1.14
YP9C080C16MP13C	XAHC36D	0.93	0.91	1.14
YP9C100C16MP13C	CF36C	0.95	0.95	1.1
YP9C100C16MP13C	CM36C	0.95	0.95	1.1
YP9C100C16MP13C	CM36C	0.95	0.95	1.1
YP9C100C16MP13C	CU36C	0.95	0.95	1.1
YP9C100C16MP13C	CU36C	0.95	0.95	1.1
YP9C100C16MP13C	XAFC36D	0.96	0.95	1.12
YP9C100C16MP13C	XAFC36D	0.95	0.94	1.1
YP9C100C16MP13C	XAFC36D	0.95	0.94	1.1
YP9C100C16MP13C	XAHC36D	0.94	0.93	1.12
YP9C100C16MP13C	XAHC36D	0.93	0.92	1.1
YP9C100C16MP13C	XAHC36D	0.93	0.92	1.1
YP9C100C20MP13C	CF36C	0.95	0.95	1.1
YP9C100C20MP13C	CM36C	0.95	0.95	1.1
YP9C100C20MP13C	CM36C	0.95	0.95	1.1
YP9C100C20MP13C	CU36C	0.95	0.95	1.1
YP9C100C20MP13C	CU36C	0.95	0.95	1.1
YP9C100C20MP13C	XAFC36D	0.95	0.94	1.1
YP9C100C20MP13C	XAFC36D	0.95	0.94	1.1
YP9C100C20MP13C	XAFC36D	0.95	0.94	1.1
YP9C100C20MP13C	XAHC36D	0.93	0.91	1.12
YP9C100C20MP13C	XAHC36D	0.93	0.91	1.12
YP9C100C20MP13C	XAHC36D	0.93	0.91	1.12
YPLC060A12MP13C	CF36A	0.95	0.94	1.1
YPLC060A12MP13C	CF36B	0.94	0.94	1.14
YPLC060A12MP13C	CF36B	0.94	0.94	1.14
YPLC060A12MP13C	CM36A	0.95	0.94	1.1
YPLC060A12MP13C	CM36B	0.94	0.94	1.14
YPLC060A12MP13C	CM36B	0.94	0.94	1.14
YPLC060A12MP13C	CU36B	0.94	0.94	1.14
YPLC060A12MP13C	XAFB36D	0.94	0.93	1.13
YPLC060A12MP13C	XAFB36D	0.97	0.95	1.12
YPLC060A12MP13C	XAFB36D	0.97	0.95	1.12
YPLC060A12MP13C	XAHB36D	0.94	0.92	1.12
YPLC060A12MP13C	XAHB36D	0.94	0.92	1.12

**Table 28: Cool multiplier furnace - 3 ton (36k)**

Furnace model	Indoor coil model	Total capacity	Sensible capacity	kW
YPLC060A12MP13C	XAHB36D	0.94	0.92	1.12
YPLC060A12MP13C	XAUB36D	0.97	0.95	1.12
YPLC080B12MP13C	CF36B	0.95	0.94	1.13
YPLC080B12MP13C	CF36B	0.95	0.94	1.13
YPLC080B12MP13C	CF36C	0.95	0.94	1.11
YPLC080B12MP13C	CM36B	0.95	0.94	1.13
YPLC080B12MP13C	CM36B	0.95	0.94	1.13
YPLC080B12MP13C	CM36C	0.95	0.94	1.11
YPLC080B12MP13C	CM36C	0.95	0.94	1.11
YPLC080B12MP13C	CU36B	0.95	0.94	1.13
YPLC080B12MP13C	CU36C	0.95	0.94	1.11
YPLC080B12MP13C	CU36C	0.95	0.94	1.11
YPLC080B12MP13C	XAFB36D	0.96	0.94	1.12
YPLC080B12MP13C	XAFB36D	0.94	0.93	1.12
YPLC080B12MP13C	XAFB36D	0.94	0.93	1.12
YPLC080B12MP13C	XAFC36D	0.96	0.94	1.15
YPLC080B12MP13C	XAFC36D	0.94	0.93	1.11
YPLC080B12MP13C	XAFC36D	0.94	0.93	1.11
YPLC080B12MP13C	XAHB36D	0.94	0.92	1.14
YPLC080B12MP13C	XAHB36D	0.94	0.92	1.14
YPLC080B12MP13C	XAHB36D	0.94	0.92	1.14
YPLC080B12MP13C	XAHC36D	0.94	0.92	1.12
YPLC080B12MP13C	XAHC36D	0.94	0.92	1.12
YPLC080B12MP13C	XAHC36D	0.94	0.92	1.12
YPLC080B12MP13C	XAUB36D	0.94	0.93	1.12
YPLC080C16MP13C	CF36C	0.95	0.95	1.11
YPLC080C16MP13C	CM36C	0.95	0.95	1.11
YPLC080C16MP13C	CM36C	0.95	0.95	1.11
YPLC080C16MP13C	CU36C	0.95	0.95	1.11
YPLC080C16MP13C	CU36C	0.95	0.95	1.11
YPLC080C16MP13C	XAFC36D	0.96	0.95	1.11
YPLC080C16MP13C	XAFC36D	0.95	0.94	1.1
YPLC080C16MP13C	XAFC36D	0.95	0.94	1.1
YPLC080C16MP13C	XAHC36D	0.94	0.93	1.13
YPLC080C16MP13C	XAHC36D	0.93	0.91	1.1
YPLC080C16MP13C	XAHC36D	0.93	0.91	1.1
YPLC100C16MP13C	CF36C	0.95	0.95	1.11
YPLC100C16MP13C	CM36C	0.95	0.95	1.11
YPLC100C16MP13C	CM36C	0.95	0.95	1.11
YPLC100C16MP13C	CU36C	0.95	0.95	1.11
YPLC100C16MP13C	CU36C	0.95	0.95	1.11
YPLC100C16MP13C	XAFC36D	0.96	0.95	1.11
YPLC100C16MP13C	XAFC36D	0.95	0.94	1.1
YPLC100C16MP13C	XAFC36D	0.95	0.94	1.1
YPLC100C16MP13C	XAHC36D	0.94	0.93	1.13
YPLC100C16MP13C	XAHC36D	0.93	0.91	1.1
YPLC100C16MP13C	XAHC36D	0.93	0.91	1.1
YPLC100C20MP13C	CF36C	0.95	0.95	1.1
YPLC100C20MP13C	CM36C	0.95	0.95	1.1
YPLC100C20MP13C	CM36C	0.95	0.95	1.1
YPLC100C20MP13C	CU36C	0.95	0.95	1.1
YPLC100C20MP13C	CU36C	0.95	0.95	1.1
YPLC120C20MP13C	CF36C	0.95	0.95	1.1



**Table 28: Cool multiplier furnace - 3 ton (36k)**

Furnace model	Indoor coil model	Total capacity	Sensible capacity	kW
YPLC120C20MP13C	CM36C	0.95	0.95	1.1
YPLC120C20MP13C	CM36C	0.95	0.95	1.1
YPLC120C20MP13C	CU36C	0.95	0.95	1.1
YPLC120C20MP13C	CU36C	0.95	0.95	1.1

## Heating performance data - 3 ton (36k)

**Table 29: Heating performance data - 3 ton (36k)**

Air temperature entering outdoor unit (°F)	Air temperature entering indoor unit (°F)	900			1200			1500		
		MBH	COP	KW	MBH	COP	KW	MBH	COP	KW
60	60	41.80	3.46	3.54	43.90	3.74	3.44	46.00	4.05	3.33
60	70	39.40	2.99	3.86	40.50	3.19	3.72	41.60	3.39	3.59
60	80	38.80	2.74	4.14	41.00	2.98	4.02	43.10	3.24	3.91
47	60	36.60	3.22	3.34	38.50	3.45	3.27	40.40	3.70	3.20
47	70	34.70	2.81	3.62	35.60	2.96	3.53	36.50	3.12	3.44
47	80	34.00	2.57	3.88	35.80	2.76	3.80	37.70	2.97	3.72
40	60	33.80	3.07	3.22	35.60	3.28	3.18	37.40	3.50	3.13
40	70	32.20	2.70	3.50	33.00	2.82	3.43	33.80	2.96	3.35
40	80	31.40	2.46	3.74	33.10	2.63	3.68	34.70	2.81	3.62
30	60	29.80	2.85	3.06	31.50	3.02	3.05	33.10	3.20	3.04
30	70	28.60	2.53	3.32	29.30	2.62	3.28	30.00	2.71	3.24
30	80	27.80	2.30	3.54	29.10	2.43	3.51	30.50	2.57	3.48
17	60	24.60	2.53	2.85	26.10	2.65	2.88	27.60	2.78	2.91
17	70	23.90	2.27	3.08	24.40	2.32	3.08	24.90	2.37	3.08
17	80	23.00	2.05	3.28	24.00	2.14	3.28	25.00	2.23	3.29
10	60	21.80	2.33	2.74	23.20	2.43	2.79	24.60	2.53	2.84
10	70	21.40	2.12	2.96	21.80	2.15	2.98	22.20	2.17	3.00
10	80	20.40	1.91	3.14	21.20	1.97	3.16	22.10	2.03	3.19
0	60	17.80	2.02	2.58	19.00	2.10	2.66	20.30	2.17	2.75
0	70	17.80	1.88	2.78	18.10	1.87	2.83	18.30	1.86	2.88
0	80	16.70	1.67	2.94	17.30	1.69	2.99	17.80	1.72	3.04

## Multipliers for determining the performance with other indoor sections

### Heat multiplier air handler - 3 ton (36k)

**Table 30: Heat multiplier air handler - 3 ton (36k)**

Air handler model	Indoor coil model	MBH	Cop	kW
AE36BX21	—	0.98	0.88	1.11
AE36BX21	—	0.98	0.88	1.11
AE36CX21	—	1.14	1.45	0.87
AE36CX21	—	1.14	1.45	0.87
AVC36BX21	—	0.99	0.87	1.12
AVC36BX21	—	0.99	0.87	1.12
AVC36CX21	—	0.97	0.89	1.08
AVC36CX21	—	0.97	0.89	1.08
JHETB30DBAS2N1	—	1.17	1.45	0.89
JHETB36DBAS2N1	—	1.03	0.91	1.12
JHETB36DBCS2N1	—	1.02	0.91	1.11
JHETB36DXXS2N1	—	1.02	0.92	1.10
JHETC36DBAS2N1	—	1.03	0.93	1.10
JHETC36DBCS2N1	—	1.00	0.96	1.05
JHETC36DXXS2N1	—	1.01	0.95	1.05
JHVTB36DBAC2N1	—	1.03	0.92	1.12
JHVTB36DBCC2N1	—	1.03	0.92	1.12

**Table 30: Heat multiplier air handler - 3 ton (36k)**

Air handler model	Indoor coil model	MBH	Cop	kW
JHVTB36DXC2N1	—	1.01	0.93	1.09
JHVTC36DBAC2N1	—	1.03	0.94	1.09
JHVTC36DBCC2N1	—	1.01	0.95	1.06
JHVTC36DXC2N1	—	1.01	0.94	1.06
JMET12BS2N1A	XAFB36D	1.03	0.92	1.11
JMET12BS2N1A	XAFB36D	1.03	0.92	1.11
JMET12BS2N1A	XAFB36D	1.03	0.92	1.11
JMET12BS2N1A	XAUB36D	1.03	0.92	1.11
JMET12BS4N1A	XAFB36D	1.04	0.91	1.13
JMET12BS4N1A	XAFB36D	1.04	0.91	1.13
JMET12BS4N1A	XAFB36D	1.04	0.91	1.13
JMET12BS4N1A	XAUB36D	1.04	0.91	1.13
JMET12CS2N1A	XAFC36D	1.01	0.93	1.08
JMET12CS2N1A	XAFC36D	1.01	0.93	1.08
JMET12CS2N1A	XAFC36D	1.01	0.93	1.08
JMET12CS2N1A	XAHC36D	0.99	0.91	1.09
JMET12CS2N1A	XAHC36D	0.99	0.91	1.09
JMET12CS2N1A	XAHC36D	0.99	0.91	1.09
JMET12CS2N1A	XAHC36D	0.99	0.91	1.09
JMET16CS2N1A	XAFC36D	1.01	0.94	1.06
JMET16CS2N1A	XAFC36D	1.01	0.94	1.06
JMET16CS2N1A	XAFC36D	1.01	0.94	1.06
JMET16CS2N1A	XAHC36D	1.00	0.91	1.09
JMET16CS2N1A	XAHC36D	1.00	0.91	1.09
JMET16CS2N1A	XAHC36D	1.00	0.91	1.09
JMVT12BC2N1A	XAFB36D	1.03	0.91	1.12
JMVT12BC2N1A	XAFB36D	1.03	0.91	1.12
JMVT12BC2N1A	XAFB36D	1.03	0.91	1.12
JMVT12BC2N1A	XAHB36D	1.01	0.92	1.10
JMVT12BC2N1A	XAHB36D	0.99	0.91	1.08
JMVT12BC2N1A	XAHB36D	0.99	0.91	1.08
JMVT12BC2N1A	XAUB36D	1.03	0.91	1.12
JMVT16CC2N1A	XAFC36D	1.01	0.94	1.06
JMVT16CC2N1A	XAFC36D	1.01	0.94	1.06
JMVT16CC2N1A	XAFC36D	1.01	0.94	1.06
JMVT16CC2N1A	XAHC36D	0.99	0.92	1.07
JMVT16CC2N1A	XAHC36D	0.99	0.92	1.07
JMVT16CC2N1A	XAHC36D	0.99	0.92	1.07
ME08BN21	CF36B	0.92	0.88	1.04
ME08BN21	CF36B	0.92	0.88	1.04
ME08BN21	CM36B	0.92	0.88	1.04
ME08BN21	CM36B	0.92	0.88	1.04
ME12BN21	CF36B	0.98	0.88	1.11
ME12BN21	CF36B	0.98	0.88	1.11
ME12BN21	CM36B	0.98	0.88	1.11
ME12BN21	CM36B	0.98	0.88	1.11
ME12BN21	XAFB36D	1.02	0.92	1.10
ME12BN21	XAFB36D	1.02	0.92	1.10
ME12BN21	XAFB36D	1.02	0.92	1.10
ME12BN21	XAHB36D	1.00	0.90	1.10
ME12BN21	XAHB36D	1.00	0.90	1.10
ME12BN21	XAHB36D	1.00	0.90	1.10
ME12BN21	XAUB36D	1.02	0.92	1.10
ME12CN21	CF36C	0.97	0.89	1.08

**Table 30: Heat multiplier air handler - 3 ton (36k)**

Air handler model	Indoor coil model	MBH	Cop	kW
ME12CN21	CM36C	0.97	0.89	1.08
ME12CN21	CM36C	0.97	0.89	1.08
ME12CN21	XAFC36D	1.02	0.92	1.10
ME12CN21	XAFC36D	1.02	0.92	1.10
ME12CN21	XAFC36D	1.02	0.92	1.10
ME12CN21	XAHC36D	1.00	0.90	1.10
ME12CN21	XAHC36D	1.00	0.90	1.10
ME12CN21	XAHC36D	1.00	0.90	1.10
ME16CN21	CF36C	0.95	0.89	1.06
ME16CN21	CM36C	0.95	0.89	1.06
ME16CN21	CM36C	0.95	0.89	1.06
ME16CN21	XAFC36D	1.02	0.92	1.10
ME16CN21	XAFC36D	1.02	0.92	1.10
ME16CN21	XAFC36D	1.02	0.92	1.10
ME16CN21	XAHC36D	1.00	0.90	1.10
ME16CN21	XAHC36D	1.00	0.90	1.10
ME16CN21	XAHC36D	1.00	0.90	1.10
MVC12BN21	CF36B	0.98	0.88	1.10
MVC12BN21	CF36B	0.98	0.88	1.10
MVC12BN21	CM36B	0.98	0.88	1.10
MVC12BN21	CM36B	0.98	0.88	1.10
MVC12BN21	XAFB36D	1.01	0.92	1.09
MVC12BN21	XAFB36D	1.01	0.92	1.09
MVC12BN21	XAFB36D	1.01	0.92	1.09
MVC12BN21	XAHB36D	1.00	0.90	1.11
MVC12BN21	XAHB36D	1.00	0.90	1.11
MVC12BN21	XAHB36D	1.00	0.90	1.11
MVC12BN21	XAUB36D	1.01	0.92	1.09
MVC12CN21	CF36C	0.96	0.89	1.07
MVC12CN21	CM36C	0.96	0.89	1.07
MVC12CN21	CM36C	0.96	0.89	1.07
MVC12CN21	XAFC36D	1.01	0.94	1.07
MVC12CN21	XAFC36D	1.01	0.94	1.07
MVC12CN21	XAFC36D	1.01	0.94	1.07
MVC12CN21	XAHC36D	0.99	0.91	1.08
MVC12CN21	XAHC36D	0.99	0.91	1.08
MVC12CN21	XAHC36D	0.99	0.91	1.08
MVC16CN21	CF36C	0.97	0.90	1.08
MVC16CN21	CM36C	0.97	0.90	1.08
MVC16CN21	CM36C	0.97	0.90	1.08
MVC16CN21	XAFC36D	1.01	0.93	1.08
MVC16CN21	XAFC36D	1.01	0.93	1.08
MVC16CN21	XAFC36D	1.01	0.93	1.08
MVC16CN21	XAHC36D	0.99	0.91	1.08
MVC16CN21	XAHC36D	0.99	0.91	1.08
MVC16CN21	XAHC36D	0.99	0.91	1.08

**Heat multiplier furnace - 3 ton (36k)****Table 31: Heat multiplier furnace - 3 ton (36k)**

Furnace model	Indoor coil model	MBH	Cop	kW
TL8E060A12UH11	CF36A	0.98	0.85	1.14
TL8E060A12UH11	CF36B	0.98	0.86	1.13

**Table 31: Heat multiplier furnace - 3 ton (36k)**

Furnace model	Indoor coil model	MBH	Cop	kW
TL8E060A12UH11	CF36B	0.98	0.86	1.13
TL8E060A12UH11	CM36A	0.98	0.85	1.14
TL8E060A12UH11	CM36B	0.98	0.86	1.13
TL8E060A12UH11	CM36B	0.98	0.86	1.13
TL8E060A12UH11	CU36B	0.98	0.86	1.13
TL8E060A12UH11	XAFA30D	1.03	0.90	1.13
TL8E060A12UH11	XAFA30D	1.03	0.90	1.13
TL8E060A12UH11	XAFB36D	1.04	0.91	1.14
TL8E060A12UH11	XAFB36D	1.02	0.91	1.13
TL8E060A12UH11	XAFB36D	1.02	0.91	1.13
TL8E060A12UH11	XAFB36D	1.02	0.91	1.13
TL8E060A12UH11	XAHB36D	1.02	0.89	1.14
TL8E060A12UH11	XAHB36D	1.00	0.88	1.13
TL8E060A12UH11	XAHB36D	1.00	0.88	1.13
TL8E060A12UH11	XAUB36D	1.02	0.91	1.13
TL8E080C16UH11	CF36C	0.96	0.89	1.08
TL8E080C16UH11	CM36C	0.96	0.89	1.08
TL8E080C16UH11	CM36C	0.96	0.89	1.08
TL8E080C16UH11	CU36C	0.96	0.89	1.08
TL8E080C16UH11	CU36C	0.96	0.89	1.08
TL8E080C16UH11	XAFC36D	1.04	0.90	1.15
TL8E080C16UH11	XAFC36D	1.02	0.91	1.11
TL8E080C16UH11	XAFC36D	1.02	0.91	1.11
TL8E080C16UH11	XAHC36D	1.02	0.88	1.15
TL8E080C16UH11	XAHC36D	1.00	0.90	1.11
TL8E080C16UH11	XAHC36D	1.00	0.90	1.11
TL8E100C20UH11	XAFC36D	1.03	0.93	1.09
TL8E100C20UH11	XAFC36D	1.03	0.93	1.09
TL8E100C20UH11	XAFC36D	1.03	0.93	1.09
TL8E100C20UH11	XAHC36D	1.01	0.92	1.09
TL8E100C20UH11	XAHC36D	1.01	0.92	1.09
TL8E100C20UH11	XAHC36D	1.01	0.92	1.09
TL9E060B12UH11	CF36B	0.95	0.87	1.09
TL9E060B12UH11	CF36B	0.95	0.87	1.09
TL9E060B12UH11	CF36C	0.99	0.85	1.15
TL9E060B12UH11	CM36B	0.95	0.87	1.09
TL9E060B12UH11	CM36B	0.95	0.87	1.09
TL9E060B12UH11	CM36C	0.99	0.85	1.15
TL9E060B12UH11	CM36C	0.99	0.85	1.15
TL9E060B12UH11	CU36B	0.95	0.87	1.09
TL9E060B12UH11	CU36C	0.99	0.85	1.15
TL9E060B12UH11	CU36C	0.99	0.85	1.15
TL9E060B12UH11	XAFB36D	1.02	0.93	1.10
TL9E060B12UH11	XAFB36D	1.03	0.93	1.11
TL9E060B12UH11	XAFB36D	1.03	0.93	1.11
TL9E060B12UH11	XAFC36D	1.02	0.92	1.10
TL9E060B12UH11	XAFC36D	1.02	0.92	1.10
TL9E060B12UH11	XAFC36D	1.02	0.92	1.10
TL9E060B12UH11	XAHB36D	1.00	0.91	1.10
TL9E060B12UH11	XAHB36D	1.00	0.91	1.10
TL9E060B12UH11	XAHB36D	1.00	0.91	1.10
TL9E060B12UH11	XAHC36D	1.01	0.91	1.11
TL9E060B12UH11	XAHC36D	1.01	0.91	1.11
TL9E060B12UH11	XAHC36D	1.01	0.91	1.11

**Table 31: Heat multiplier furnace - 3 ton (36k)**

Furnace model	Indoor coil model	MBH	Cop	kW
TL9E060B12UH11	XAUB36D	1.03	0.93	1.11
TL9E080C16UH11	CF36C	0.98	0.87	1.11
TL9E080C16UH11	CM36C	0.98	0.87	1.11
TL9E080C16UH11	CM36C	0.98	0.87	1.11
TL9E080C16UH11	CU36C	0.98	0.87	1.11
TL9E080C16UH11	CU36C	0.98	0.87	1.11
TL9E080C16UH11	XAFC36D	1.04	0.91	1.13
TL9E080C16UH11	XAFC36D	1.02	0.91	1.11
TL9E080C16UH11	XAFC36D	1.02	0.91	1.11
TL9E080C16UH11	XAHC36D	1.02	0.90	1.13
TL9E080C16UH11	XAHC36D	1.02	0.90	1.13
TL9E080C16UH11	XAHC36D	1.02	0.90	1.13
TL9E100C20UH11	XAFC36D	1.04	0.91	1.13
TL9E100C20UH11	XAFC36D	1.04	0.91	1.13
TL9E100C20UH11	XAFC36D	1.04	0.91	1.13
TL9E100C20UH11	XAHC36D	1.02	0.89	1.14
TL9E100C20UH11	XAHC36D	1.02	0.89	1.14
TL9E100C20UH11	XAHC36D	1.02	0.89	1.14
TM8E040A12MP11	CF36A	0.97	0.86	1.12
TM8E040A12MP11	CF36B	0.98	0.87	1.12
TM8E040A12MP11	CF36B	0.98	0.87	1.12
TM8E040A12MP11	CM36A	0.97	0.86	1.12
TM8E040A12MP11	CM36B	0.98	0.87	1.12
TM8E040A12MP11	CM36B	0.98	0.87	1.12
TM8E040A12MP11	CU36B	0.98	0.87	1.12
TM8E040A12MP11	XAFA30D	1.02	0.91	1.12
TM8E040A12MP11	XAFA30D	1.02	0.91	1.12
TM8E040A12MP11	XAFB36D	1.03	0.92	1.12
TM8E040A12MP11	XAFB36D	1.02	0.91	1.12
TM8E040A12MP11	XAFB36D	1.02	0.91	1.12
TM8E040A12MP11	XAHB36D	1.01	0.90	1.12
TM8E040A12MP11	XAHB36D	1.01	0.90	1.12
TM8E040A12MP11	XAHB36D	1.01	0.90	1.12
TM8E040A12MP11	XAUB36D	1.02	0.91	1.12
TM8E060A12MP11	CF36A	0.98	0.85	1.14
TM8E060A12MP11	CF36B	0.98	0.86	1.14
TM8E060A12MP11	CF36B	0.98	0.86	1.14
TM8E060A12MP11	CM36A	0.98	0.85	1.14
TM8E060A12MP11	CM36B	0.98	0.86	1.14
TM8E060A12MP11	CM36B	0.98	0.86	1.14
TM8E060A12MP11	CU36B	0.98	0.86	1.14
TM8E060A12MP11	XAFA30D	1.03	0.90	1.13
TM8E060A12MP11	XAFA30D	1.03	0.90	1.13
TM8E060A12MP11	XAFB36D	1.04	0.91	1.14
TM8E060A12MP11	XAFB36D	1.03	0.90	1.13
TM8E060A12MP11	XAFB36D	1.03	0.90	1.13
TM8E060A12MP11	XAHB36D	1.02	0.89	1.14
TM8E060A12MP11	XAHB36D	1.02	0.89	1.14
TM8E060A12MP11	XAHB36D	1.02	0.89	1.14
TM8E060A12MP11	XAUB36D	1.03	0.90	1.13
TM8E080B12MP11	CF36B	0.98	0.86	1.14
TM8E080B12MP11	CF36B	0.98	0.86	1.14
TM8E080B12MP11	CF36C	0.98	0.86	1.13

**Table 31: Heat multiplier furnace - 3 ton (36k)**

Furnace model	Indoor coil model	MBH	Cop	kW
TM8E080B12MP11	CM36B	0.98	0.86	1.14
TM8E080B12MP11	CM36B	0.98	0.86	1.14
TM8E080B12MP11	CM36C	0.98	0.86	1.13
TM8E080B12MP11	CM36C	0.98	0.86	1.13
TM8E080B12MP11	CU36B	0.98	0.86	1.14
TM8E080B12MP11	CU36C	0.98	0.86	1.13
TM8E080B12MP11	CU36C	0.98	0.86	1.13
TM8E080B12MP11	XAFB36D	1.04	0.89	1.17
TM8E080B12MP11	XAFB36D	1.04	0.89	1.17
TM8E080B12MP11	XAFB36D	1.04	0.89	1.17
TM8E080B12MP11	XAFC36D	1.04	0.89	1.17
TM8E080B12MP11	XAFC36D	1.03	0.90	1.13
TM8E080B12MP11	XAFC36D	1.03	0.90	1.13
TM8E080B12MP11	XAHB36D	1.02	0.89	1.15
TM8E080B12MP11	XAHB36D	1.00	0.88	1.13
TM8E080B12MP11	XAHB36D	1.00	0.88	1.13
TM8E080B12MP11	XAHC36D	1.03	0.87	1.17
TM8E080B12MP11	XAHC36D	1.03	0.87	1.17
TM8E080B12MP11	XAHC36D	1.03	0.87	1.17
TM8E080B12MP11	XAUB36D	1.04	0.89	1.17
TM8E080C16MP11	CF36C	0.98	0.88	1.11
TM8E080C16MP11	CM36C	0.98	0.88	1.11
TM8E080C16MP11	CM36C	0.98	0.88	1.11
TM8E080C16MP11	CU36C	0.98	0.88	1.11
TM8E080C16MP11	CU36C	0.98	0.88	1.11
TM8E080C16MP11	XAFC36D	1.03	0.92	1.12
TM8E080C16MP11	XAFC36D	1.02	0.92	1.10
TM8E080C16MP11	XAFC36D	1.02	0.92	1.10
TM8E080C16MP11	XAHC36D	1.01	0.90	1.11
TM8E080C16MP11	XAHC36D	1.01	0.90	1.11
TM8E080C16MP11	XAHC36D	1.01	0.90	1.11
TM8E100B12MP11	CF36B	0.98	0.86	1.13
TM8E100B12MP11	CF36B	0.98	0.86	1.13
TM8E100B12MP11	CF36C	0.98	0.87	1.13
TM8E100B12MP11	CM36B	0.98	0.86	1.13
TM8E100B12MP11	CM36B	0.98	0.86	1.13
TM8E100B12MP11	CM36C	0.98	0.87	1.13
TM8E100B12MP11	CM36C	0.98	0.87	1.13
TM8E100B12MP11	CU36B	0.98	0.86	1.13
TM8E100B12MP11	CU36C	0.98	0.87	1.13
TM8E100B12MP11	CU36C	0.98	0.87	1.13
TM8E100B12MP11	XAFB36D	1.04	0.91	1.14
TM8E100B12MP11	XAFB36D	1.04	0.91	1.14
TM8E100B12MP11	XAFB36D	1.04	0.91	1.14
TM8E100B12MP11	XAFC36D	1.04	0.91	1.13
TM8E100B12MP11	XAFC36D	1.02	0.91	1.12
TM8E100B12MP11	XAFC36D	1.02	0.91	1.12
TM8E100B12MP11	XAHB36D	1.02	0.89	1.13
TM8E100B12MP11	XAHB36D	1.00	0.89	1.12
TM8E100B12MP11	XAHB36D	1.00	0.89	1.12
TM8E100B12MP11	XAHC36D	1.02	0.89	1.13
TM8E100B12MP11	XAHC36D	1.02	0.89	1.13
TM8E100B12MP11	XAHC36D	1.02	0.89	1.13

**Table 31: Heat multiplier furnace - 3 ton (36k)**

Furnace model	Indoor coil model	MBH	Cop	kW
TM8E100B12MP11	XAUB36D	1.04	0.91	1.14
TM8E100C16MP11	CF36C	0.98	0.88	1.12
TM8E100C16MP11	CM36C	0.98	0.88	1.12
TM8E100C16MP11	CM36C	0.98	0.88	1.12
TM8E100C16MP11	CU36C	0.98	0.88	1.12
TM8E100C16MP11	CU36C	0.98	0.88	1.12
TM8E100C16MP11	XAFC36D	1.04	0.92	1.12
TM8E100C16MP11	XAFC36D	1.02	0.91	1.11
TM8E100C16MP11	XAFC36D	1.02	0.91	1.11
TM8E100C16MP11	XAHC36D	1.02	0.90	1.12
TM8E100C16MP11	XAHC36D	1.02	0.90	1.12
TM8E100C16MP11	XAHC36D	1.02	0.90	1.12
TM8E120C16MP11	CF36C	0.98	0.88	1.12
TM8E120C16MP11	CM36C	0.98	0.88	1.12
TM8E120C16MP11	CM36C	0.98	0.88	1.12
TM8E120C16MP11	CU36C	0.98	0.88	1.12
TM8E120C16MP11	CU36C	0.98	0.88	1.12
TM8E120C16MP11	XAFC36D	1.04	0.92	1.12
TM8E120C16MP11	XAFC36D	1.04	0.92	1.12
TM8E120C16MP11	XAFC36D	1.04	0.92	1.12
TM8E120C16MP11	XAHC36D	1.02	0.90	1.12
TM8E120C16MP11	XAHC36D	1.00	0.90	1.11
TM8E120C16MP11	XAHC36D	1.00	0.90	1.11
TM8V060A12MP12C	CF36A	0.95	0.86	1.10
TM8V060A12MP12C	CF36B	0.99	0.86	1.15
TM8V060A12MP12C	CF36B	0.99	0.86	1.15
TM8V060A12MP12C	CM36A	0.95	0.86	1.10
TM8V060A12MP12C	CM36B	0.99	0.86	1.15
TM8V060A12MP12C	CM36B	0.99	0.86	1.15
TM8V060A12MP12C	CU36B	0.99	0.86	1.15
TM8V060A12MP12C	XAFB36D	1.03	0.90	1.15
TM8V060A12MP12C	XAFB36D	1.03	0.92	1.12
TM8V060A12MP12C	XAFB36D	1.03	0.92	1.12
TM8V060A12MP12C	XAHB36D	1.02	0.89	1.13
TM8V060A12MP12C	XAHB36D	1.02	0.89	1.13
TM8V060A12MP12C	XAHB36D	1.02	0.89	1.13
TM8V060A12MP12C	XAUB36D	1.03	0.92	1.12
TM8V080B12MP12C	CF36B	0.97	0.86	1.13
TM8V080B12MP12C	CF36B	0.97	0.86	1.13
TM8V080B12MP12C	CF36C	0.97	0.86	1.11
TM8V080B12MP12C	CM36B	0.97	0.86	1.13
TM8V080B12MP12C	CM36B	0.97	0.86	1.13
TM8V080B12MP12C	CM36C	0.97	0.86	1.11
TM8V080B12MP12C	CM36C	0.97	0.86	1.11
TM8V080B12MP12C	CU36B	0.97	0.86	1.13
TM8V080B12MP12C	CU36C	0.97	0.86	1.11
TM8V080B12MP12C	CU36C	0.97	0.86	1.11
TM8V080B12MP12C	XAFB36D	1.04	0.91	1.13
TM8V080B12MP12C	XAFB36D	1.02	0.90	1.13
TM8V080B12MP12C	XAFB36D	1.02	0.90	1.13
TM8V080B12MP12C	XAFC36D	1.04	0.90	1.16
TM8V080B12MP12C	XAFC36D	1.02	0.91	1.12
TM8V080B12MP12C	XAFC36D	1.02	0.91	1.12

**Table 31: Heat multiplier furnace - 3 ton (36k)**

Furnace model	Indoor coil model	MBH	Cop	kW
TM8V080B12MP12C	XAHB36D	1.02	0.89	1.14
TM8V080B12MP12C	XAHB36D	1.02	0.89	1.14
TM8V080B12MP12C	XAHB36D	1.02	0.89	1.14
TM8V080B12MP12C	XAHC36D	1.02	0.90	1.13
TM8V080B12MP12C	XAHC36D	1.02	0.90	1.13
TM8V080B12MP12C	XAHC36D	1.02	0.90	1.13
TM8V080B12MP12C	XAUB36D	1.02	0.90	1.13
TM8V080C16MP12C	CF36C	0.98	0.88	1.11
TM8V080C16MP12C	CM36C	0.98	0.88	1.11
TM8V080C16MP12C	CM36C	0.98	0.88	1.11
TM8V080C16MP12C	CU36C	0.98	0.88	1.11
TM8V080C16MP12C	CU36C	0.98	0.88	1.11
TM8V080C16MP12C	XAFC36D	1.04	0.91	1.14
TM8V080C16MP12C	XAFC36D	1.02	0.91	1.11
TM8V080C16MP12C	XAFC36D	1.02	0.91	1.11
TM8V080C16MP12C	XAHC36D	1.02	0.89	1.15
TM8V080C16MP12C	XAHC36D	1.00	0.89	1.12
TM8V080C16MP12C	XAHC36D	1.00	0.89	1.12
TM8V100C16MP12C	CF36C	0.98	0.88	1.11
TM8V100C16MP12C	CM36C	0.98	0.88	1.11
TM8V100C16MP12C	CM36C	0.98	0.88	1.11
TM8V100C16MP12C	CU36C	0.98	0.88	1.11
TM8V100C16MP12C	CU36C	0.98	0.88	1.11
TM8V100C16MP12C	XAFC36D	1.03	0.92	1.12
TM8V100C16MP12C	XAFC36D	1.02	0.91	1.11
TM8V100C16MP12C	XAFC36D	1.02	0.91	1.11
TM8V100C16MP12C	XAHC36D	1.02	0.89	1.15
TM8V100C16MP12C	XAHC36D	1.00	0.89	1.12
TM8V100C16MP12C	XAHC36D	1.00	0.89	1.12
TM8V100C20MP12C	CF36C	0.99	0.89	1.12
TM8V100C20MP12C	CM36C	0.99	0.89	1.12
TM8V100C20MP12C	CM36C	0.99	0.89	1.12
TM8V100C20MP12C	CU36C	0.99	0.89	1.12
TM8V100C20MP12C	CU36C	0.99	0.89	1.12
TM8V120C20MP12C	CF36C	0.99	0.89	1.12
TM8V120C20MP12C	CM36C	0.99	0.89	1.12
TM8V120C20MP12C	CM36C	0.99	0.89	1.12
TM8V120C20MP12C	CU36C	0.99	0.89	1.12
TM8V120C20MP12C	CU36C	0.99	0.89	1.12
TM8Y060A12MP11	CF36A	0.96	0.86	1.12
TM8Y060A12MP11	CF36B	0.97	0.86	1.12
TM8Y060A12MP11	CF36B	0.97	0.86	1.12
TM8Y060A12MP11	CM36A	0.96	0.86	1.12
TM8Y060A12MP11	CM36B	0.97	0.86	1.12
TM8Y060A12MP11	CM36B	0.97	0.86	1.12
TM8Y060A12MP11	CU36B	0.97	0.86	1.12
TM8Y060A12MP11	XAFA30D	1.02	0.91	1.11
TM8Y060A12MP11	XAFA30D	1.02	0.91	1.11
TM8Y060A12MP11	XAFB36D	1.03	0.92	1.12
TM8Y060A12MP11	XAFB36D	1.03	0.92	1.12
TM8Y060A12MP11	XAFB36D	1.03	0.92	1.12
TM8Y060A12MP11	XAHB36D	1.01	0.91	1.12
TM8Y060A12MP11	XAHB36D	1.00	0.90	1.11



**Table 31: Heat multiplier furnace - 3 ton (36k)**

Furnace model	Indoor coil model	MBH	Cop	kW
TM8Y060A12MP11	XAHB36D	1.00	0.90	1.11
TM8Y060A12MP11	XAUB36D	1.03	0.92	1.12
TM8Y080B12MP11	CF36B	0.97	0.87	1.12
TM8Y080B12MP11	CF36B	0.97	0.87	1.12
TM8Y080B12MP11	CF36C	0.98	0.87	1.12
TM8Y080B12MP11	CM36B	0.97	0.87	1.12
TM8Y080B12MP11	CM36B	0.97	0.87	1.12
TM8Y080B12MP11	CM36C	0.98	0.87	1.12
TM8Y080B12MP11	CM36C	0.98	0.87	1.12
TM8Y080B12MP11	CU36B	0.97	0.87	1.12
TM8Y080B12MP11	XAFB36D	1.03	0.92	1.12
TM8Y080B12MP11	XAFB36D	1.02	0.91	1.11
TM8Y080B12MP11	XAFB36D	1.02	0.91	1.11
TM8Y080B12MP11	XAFC36D	1.04	0.92	1.12
TM8Y080B12MP11	XAFC36D	1.04	0.92	1.12
TM8Y080B12MP11	XAFC36D	1.04	0.92	1.12
TM8Y080B12MP11	XAHB36D	1.01	0.90	1.12
TM8Y080B12MP11	XAHB36D	1.00	0.90	1.11
TM8Y080B12MP11	XAHB36D	1.00	0.90	1.11
TM8Y080B12MP11	XAHC36D	1.02	0.90	1.12
TM8Y080B12MP11	XAHC36D	1.02	0.90	1.12
TM8Y080B12MP11	XAHC36D	1.02	0.90	1.12
TM8Y080B12MP11	XAUB36D	1.02	0.91	1.11
TM8Y080C16MP11	CF36C	0.96	0.88	1.08
TM8Y080C16MP11	CM36C	0.96	0.88	1.08
TM8Y080C16MP11	CM36C	0.96	0.88	1.08
TM8Y080C16MP11	XAFC36D	1.04	0.91	1.14
TM8Y080C16MP11	XAFC36D	1.04	0.91	1.14
TM8Y080C16MP11	XAFC36D	1.04	0.91	1.14
TM8Y080C16MP11	XAHC36D	1.02	0.89	1.14
TM8Y080C16MP11	XAHC36D	1.02	0.89	1.14
TM8Y080C16MP11	XAHC36D	1.02	0.89	1.14
TM8Y100C16MP11	XAFC36D	1.04	0.91	1.14
TM8Y100C16MP11	XAFC36D	1.04	0.91	1.14
TM8Y100C16MP11	XAFC36D	1.04	0.91	1.14
TM8Y100C16MP11	XAHC36D	1.02	0.89	1.14
TM8Y100C16MP11	XAHC36D	1.02	0.89	1.14
TM8Y100C16MP11	XAHC36D	1.02	0.89	1.14
TM8Y100C20MP11	XAFC36D	1.03	0.94	1.09
TM8Y100C20MP11	XAFC36D	1.03	0.94	1.09
TM8Y100C20MP11	XAFC36D	1.03	0.94	1.09
TM8Y100C20MP11	XAHC36D	1.01	0.92	1.09
TM8Y100C20MP11	XAHC36D	0.99	0.91	1.08
TM8Y100C20MP11	XAHC36D	0.99	0.91	1.08
TM8Y120C20MP11	XAFC36D	1.03	0.94	1.09
TM8Y120C20MP11	XAFC36D	1.03	0.94	1.09
TM8Y120C20MP11	XAFC36D	1.03	0.94	1.09
TM8Y120C20MP11	XAHC36D	1.01	0.92	1.09
TM8Y120C20MP11	XAHC36D	0.99	0.91	1.08
TM8Y120C20MP11	XAHC36D	0.99	0.91	1.08
TM9E060A10MP12	CF36A	0.95	0.86	1.10
TM9E060A10MP12	CF36B	0.97	0.85	1.14
TM9E060A10MP12	CF36B	0.97	0.85	1.14

**Table 31: Heat multiplier furnace - 3 ton (36k)**

Furnace model	Indoor coil model	MBH	Cop	kW
TM9E060A10MP12	CM36A	0.95	0.86	1.10
TM9E060A10MP12	CM36B	0.97	0.85	1.14
TM9E060A10MP12	CM36B	0.97	0.85	1.14
TM9E060A10MP12	CU36B	0.97	0.85	1.14
TM9E060A10MP12	XAFA30D	1.02	0.92	1.11
TM9E060A10MP12	XAFA30D	1.02	0.92	1.11
TM9E060A10MP12	XAFB36D	1.04	0.91	1.14
TM9E060A10MP12	XAFB36D	1.03	0.90	1.14
TM9E060A10MP12	XAFB36D	1.03	0.90	1.14
TM9E060A10MP12	XAHB36D	1.01	0.91	1.12
TM9E060A10MP12	XAHB36D	1.00	0.90	1.11
TM9E060A10MP12	XAHB36D	1.00	0.90	1.11
TM9E060A10MP12	XAUB36D	1.03	0.90	1.14
TM9E060B12MP12	CF36B	0.96	0.86	1.11
TM9E060B12MP12	CF36B	0.96	0.86	1.11
TM9E060B12MP12	CF36C	0.99	0.85	1.15
TM9E060B12MP12	CM36B	0.96	0.86	1.11
TM9E060B12MP12	CM36B	0.96	0.86	1.11
TM9E060B12MP12	CM36C	0.99	0.85	1.15
TM9E060B12MP12	CM36C	0.99	0.85	1.15
TM9E060B12MP12	CU36B	0.96	0.86	1.11
TM9E060B12MP12	CU36C	0.99	0.85	1.15
TM9E060B12MP12	CU36C	0.99	0.85	1.15
TM9E060B12MP12	XAFB36D	1.05	0.89	1.17
TM9E060B12MP12	XAFB36D	1.02	0.92	1.11
TM9E060B12MP12	XAFB36D	1.02	0.92	1.11
TM9E060B12MP12	XAFC36D	1.05	0.89	1.17
TM9E060B12MP12	XAFC36D	1.02	0.92	1.11
TM9E060B12MP12	XAFC36D	1.02	0.92	1.11
TM9E060B12MP12	XAHB36D	1.02	0.88	1.16
TM9E060B12MP12	XAHB36D	1.00	0.90	1.11
TM9E060B12MP12	XAHB36D	1.00	0.90	1.11
TM9E060B12MP12	XAHC36D	1.03	0.87	1.17
TM9E060B12MP12	XAHC36D	1.00	0.90	1.11
TM9E060B12MP12	XAHC36D	1.00	0.90	1.11
TM9E060B12MP12	XAUB36D	1.02	0.92	1.11
TM9E080B12MP12	CF36B	0.99	0.86	1.14
TM9E080B12MP12	CF36B	0.99	0.86	1.14
TM9E080B12MP12	CF36C	0.98	0.86	1.13
TM9E080B12MP12	CM36B	0.99	0.86	1.14
TM9E080B12MP12	CM36B	0.99	0.86	1.14
TM9E080B12MP12	CM36C	0.98	0.86	1.13
TM9E080B12MP12	CM36C	0.98	0.86	1.13
TM9E080B12MP12	CU36B	0.99	0.86	1.14
TM9E080B12MP12	CU36C	0.98	0.86	1.13
TM9E080B12MP12	CU36C	0.98	0.86	1.13
TM9E080B12MP12	XAFB36D	1.03	0.90	1.13
TM9E080B12MP12	XAFB36D	1.03	0.90	1.13
TM9E080B12MP12	XAFB36D	1.03	0.90	1.13
TM9E080B12MP12	XAFC36D	1.03	0.90	1.13
TM9E080B12MP12	XAFC36D	1.03	0.90	1.13
TM9E080B12MP12	XAFC36D	1.03	0.90	1.13
TM9E080B12MP12	XAHB36D	1.02	0.89	1.15

**Table 31: Heat multiplier furnace - 3 ton (36k)**

Furnace model	Indoor coil model	MBH	Cop	kW
TM9E080B12MP12	XAHB36D	1.01	0.88	1.14
TM9E080B12MP12	XAHB36D	1.01	0.88	1.14
TM9E080B12MP12	XAHC36D	1.03	0.87	1.17
TM9E080B12MP12	XAHC36D	1.01	0.88	1.13
TM9E080B12MP12	XAHC36D	1.01	0.88	1.13
TM9E080B12MP12	XAUB36D	1.03	0.90	1.13
TM9E080C16MP12	CF36C	0.99	0.87	1.12
TM9E080C16MP12	CM36C	0.99	0.87	1.12
TM9E080C16MP12	CM36C	0.99	0.87	1.12
TM9E080C16MP12	CU36C	0.99	0.87	1.12
TM9E080C16MP12	CU36C	0.99	0.87	1.12
TM9E080C16MP12	XAFC36D	1.02	0.91	1.12
TM9E080C16MP12	XAFC36D	1.02	0.91	1.12
TM9E080C16MP12	XAFC36D	1.02	0.91	1.12
TM9E080C16MP12	XAHC36D	1.02	0.90	1.13
TM9E080C16MP12	XAHC36D	1.00	0.89	1.11
TM9E080C16MP12	XAHC36D	1.00	0.89	1.11
TM9E100C16MP12	CF36C	0.98	0.87	1.12
TM9E100C16MP12	CM36C	0.98	0.87	1.12
TM9E100C16MP12	CM36C	0.98	0.87	1.12
TM9E100C16MP12	CU36C	0.98	0.87	1.12
TM9E100C16MP12	CU36C	0.98	0.87	1.12
TM9E100C16MP12	XAFC36D	1.02	0.91	1.11
TM9E100C16MP12	XAFC36D	1.02	0.91	1.11
TM9E100C16MP12	XAFC36D	1.02	0.91	1.11
TM9E100C16MP12	XAHC36D	1.00	0.89	1.12
TM9E100C16MP12	XAHC36D	1.00	0.89	1.12
TM9E100C16MP12	XAHC36D	1.00	0.89	1.12
TM9V040A10MP12C	CF36A	0.93	0.86	1.09
TM9V040A10MP12C	CF36B	0.94	0.86	1.09
TM9V040A10MP12C	CF36B	0.94	0.86	1.09
TM9V040A10MP12C	CM36A	0.93	0.86	1.09
TM9V040A10MP12C	CM36B	0.94	0.86	1.09
TM9V040A10MP12C	CM36B	0.94	0.86	1.09
TM9V040A10MP12C	CU36B	0.94	0.86	1.09
TM9V040A10MP12C	XAFA30D	1.02	0.93	1.09
TM9V040A10MP12C	XAFA30D	1.02	0.93	1.09
TM9V040A10MP12C	XAFB36D	1.04	0.93	1.12
TM9V040A10MP12C	XAFB36D	1.02	0.92	1.10
TM9V040A10MP12C	XAFB36D	1.02	0.92	1.10
TM9V040A10MP12C	XAHB36D	1.02	0.90	1.13
TM9V040A10MP12C	XAHB36D	1.00	0.90	1.11
TM9V040A10MP12C	XAHB36D	1.00	0.90	1.11
TM9V040A10MP12C	XAUB36D	1.02	0.92	1.10
TM9V060B12MP12C	CF36B	0.97	0.86	1.12
TM9V060B12MP12C	CF36B	0.97	0.86	1.12
TM9V060B12MP12C	CF36C	0.99	0.85	1.16
TM9V060B12MP12C	CM36B	0.97	0.86	1.12
TM9V060B12MP12C	CM36B	0.97	0.86	1.12
TM9V060B12MP12C	CM36C	0.99	0.85	1.16
TM9V060B12MP12C	CM36C	0.99	0.85	1.16
TM9V060B12MP12C	CU36B	0.97	0.86	1.12
TM9V060B12MP12C	CU36C	0.99	0.85	1.16

**Table 31: Heat multiplier furnace - 3 ton (36k)**

Furnace model	Indoor coil model	MBH	Cop	kW
TM9V060B12MP12C	CU36C	0.99	0.85	1.16
TM9V060B12MP12C	XAFB36D	1.05	0.90	1.16
TM9V060B12MP12C	XAFB36D	1.02	0.91	1.12
TM9V060B12MP12C	XAFB36D	1.02	0.91	1.12
TM9V060B12MP12C	XAFC36D	1.02	0.91	1.11
TM9V060B12MP12C	XAFC36D	1.02	0.91	1.11
TM9V060B12MP12C	XAFC36D	1.02	0.91	1.11
TM9V060B12MP12C	XAFC36D	1.02	0.91	1.11
TM9V060B12MP12C	XAHB36D	1.02	0.89	1.15
TM9V060B12MP12C	XAHB36D	1.01	0.89	1.13
TM9V060B12MP12C	XAHB36D	1.01	0.89	1.13
TM9V060B12MP12C	XAHC36D	1.02	0.88	1.16
TM9V060B12MP12C	XAHC36D	1.02	0.88	1.16
TM9V060B12MP12C	XAHC36D	1.02	0.88	1.16
TM9V060B12MP12C	XAUB36D	1.02	0.91	1.12
TM9V080B12MP12C	CF36B	0.97	0.86	1.13
TM9V080B12MP12C	CF36B	0.97	0.86	1.13
TM9V080B12MP12C	CF36C	0.97	0.87	1.11
TM9V080B12MP12C	CM36B	0.97	0.86	1.13
TM9V080B12MP12C	CM36B	0.97	0.86	1.13
TM9V080B12MP12C	CM36C	0.97	0.87	1.11
TM9V080B12MP12C	CM36C	0.97	0.87	1.11
TM9V080B12MP12C	CU36B	0.97	0.86	1.13
TM9V080B12MP12C	CU36C	0.97	0.87	1.11
TM9V080B12MP12C	CU36C	0.97	0.87	1.11
TM9V080B12MP12C	XAFB36D	1.04	0.89	1.17
TM9V080B12MP12C	XAFB36D	1.02	0.91	1.12
TM9V080B12MP12C	XAFB36D	1.02	0.91	1.12
TM9V080B12MP12C	XAFC36D	1.02	0.91	1.12
TM9V080B12MP12C	XAFC36D	1.02	0.91	1.12
TM9V080B12MP12C	XAFC36D	1.02	0.91	1.12
TM9V080B12MP12C	XAFC36D	1.02	0.91	1.12
TM9V080B12MP12C	XAHB36D	1.03	0.88	1.16
TM9V080B12MP12C	XAHB36D	1.03	0.88	1.16
TM9V080B12MP12C	XAHB36D	1.03	0.88	1.16
TM9V080B12MP12C	XAHC36D	1.03	0.87	1.17
TM9V080B12MP12C	XAHC36D	1.03	0.87	1.17
TM9V080B12MP12C	XAHC36D	1.03	0.87	1.17
TM9V080B12MP12C	XAHC36D	1.03	0.87	1.17
TM9V080B12MP12C	XAUB36D	1.02	0.91	1.12
TM9V080C16MP12C	CF36C	0.98	0.87	1.12
TM9V080C16MP12C	CM36C	0.98	0.87	1.12
TM9V080C16MP12C	CM36C	0.98	0.87	1.12
TM9V080C16MP12C	CU36C	0.98	0.87	1.12
TM9V080C16MP12C	CU36C	0.98	0.87	1.12
TM9V080C16MP12C	XAFC36D	1.02	0.91	1.12
TM9V080C16MP12C	XAFC36D	1.02	0.91	1.12
TM9V080C16MP12C	XAFC36D	1.02	0.91	1.12
TM9V080C16MP12C	XAHC36D	1.02	0.88	1.16
TM9V080C16MP12C	XAHC36D	1.02	0.88	1.16
TM9V080C16MP12C	XAHC36D	1.02	0.88	1.16
TM9V100C16MP12C	CF36C	0.98	0.88	1.11
TM9V100C16MP12C	CM36C	0.98	0.88	1.11
TM9V100C16MP12C	CM36C	0.98	0.88	1.11
TM9V100C16MP12C	CU36C	0.98	0.88	1.11
TM9V100C16MP12C	CU36C	0.98	0.88	1.11

**Table 31: Heat multiplier furnace - 3 ton (36k)**

Furnace model	Indoor coil model	MBH	Cop	kW
TM9V100C16MP12C	XAFC36D	1.04	0.91	1.14
TM9V100C16MP12C	XAFC36D	1.02	0.92	1.11
TM9V100C16MP12C	XAFC36D	1.02	0.92	1.11
TM9V100C16MP12C	XAHC36D	1.02	0.89	1.14
TM9V100C16MP12C	XAHC36D	1.00	0.90	1.12
TM9V100C16MP12C	XAHC36D	1.00	0.90	1.12
TM9V100C20MP12C	CF36C	0.98	0.88	1.11
TM9V100C20MP12C	CM36C	0.98	0.88	1.11
TM9V100C20MP12C	CM36C	0.98	0.88	1.11
TM9V100C20MP12C	CU36C	0.98	0.88	1.11
TM9V100C20MP12C	CU36C	0.98	0.88	1.11
TM9V100C20MP12C	XAFC36D	1.02	0.91	1.12
TM9V100C20MP12C	XAFC36D	1.02	0.91	1.12
TM9V100C20MP12C	XAFC36D	1.02	0.91	1.12
TM9V100C20MP12C	XAHC36D	1.01	0.88	1.14
TM9V100C20MP12C	XAHC36D	1.01	0.88	1.14
TM9V100C20MP12C	XAHC36D	1.01	0.88	1.14
TM9Y060B12MP11	CF36B	0.97	0.86	1.12
TM9Y060B12MP11	CF36B	0.97	0.86	1.12
TM9Y060B12MP11	CF36C	0.97	0.86	1.12
TM9Y060B12MP11	CM36B	0.97	0.86	1.12
TM9Y060B12MP11	CM36B	0.97	0.86	1.12
TM9Y060B12MP11	CM36C	0.97	0.86	1.12
TM9Y060B12MP11	CM36C	0.97	0.86	1.12
TM9Y060B12MP11	CU36B	0.97	0.86	1.12
TM9Y060B12MP11	CU36C	0.97	0.86	1.12
TM9Y060B12MP11	CU36C	0.97	0.86	1.12
TM9Y060B12MP11	XAFB36D	1.03	0.91	1.12
TM9Y060B12MP11	XAFB36D	1.03	0.91	1.12
TM9Y060B12MP11	XAFB36D	1.03	0.91	1.12
TM9Y060B12MP11	XAFC36D	1.03	0.91	1.12
TM9Y060B12MP11	XAFC36D	1.05	0.90	1.16
TM9Y060B12MP11	XAFC36D	1.05	0.90	1.16
TM9Y060B12MP11	XAHB36D	1.02	0.88	1.15
TM9Y060B12MP11	XAHB36D	1.00	0.92	1.08
TM9Y060B12MP11	XAHB36D	1.00	0.92	1.08
TM9Y060B12MP11	XAHC36D	1.02	0.88	1.16
TM9Y060B12MP11	XAHC36D	1.02	0.88	1.16
TM9Y060B12MP11	XAHC36D	1.02	0.88	1.16
TM9Y060B12MP11	XAUB36D	1.03	0.91	1.12
TM9Y080B12MP11	CF36B	0.97	0.86	1.12
TM9Y080B12MP11	CF36B	0.97	0.86	1.12
TM9Y080B12MP11	CF36C	0.97	0.87	1.12
TM9Y080B12MP11	CM36B	0.97	0.86	1.12
TM9Y080B12MP11	CM36B	0.97	0.86	1.12
TM9Y080B12MP11	CM36C	0.97	0.87	1.12
TM9Y080B12MP11	CM36C	0.97	0.87	1.12
TM9Y080B12MP11	CU36B	0.97	0.86	1.12
TM9Y080B12MP11	CU36C	0.97	0.87	1.12
TM9Y080B12MP11	CU36C	0.97	0.87	1.12
TM9Y080B12MP11	XAFB36D	1.05	0.89	1.17
TM9Y080B12MP11	XAFB36D	1.02	0.91	1.12
TM9Y080B12MP11	XAFB36D	1.02	0.91	1.12

**Table 31: Heat multiplier furnace - 3 ton (36k)**

Furnace model	Indoor coil model	MBH	Cop	kW
TM9Y080B12MP11	XAFC36D	1.05	0.89	1.17
TM9Y080B12MP11	XAFC36D	1.02	0.91	1.11
TM9Y080B12MP11	XAFC36D	1.02	0.91	1.11
TM9Y080B12MP11	XAHB36D	1.02	0.90	1.13
TM9Y080B12MP11	XAHB36D	1.00	0.89	1.12
TM9Y080B12MP11	XAHB36D	1.00	0.89	1.12
TM9Y080B12MP11	XAHC36D	1.03	0.87	1.17
TM9Y080B12MP11	XAHC36D	1.03	0.87	1.17
TM9Y080B12MP11	XAHC36D	1.03	0.87	1.17
TM9Y080B12MP11	XAUB36D	1.02	0.91	1.12
TM9Y080C16MP11	CF36C	0.98	0.87	1.13
TM9Y080C16MP11	CM36C	0.98	0.87	1.13
TM9Y080C16MP11	CM36C	0.98	0.87	1.13
TM9Y080C16MP11	CU36C	0.98	0.87	1.13
TM9Y080C16MP11	CU36C	0.98	0.87	1.13
TM9Y080C16MP11	XAFC36D	1.02	0.91	1.12
TM9Y080C16MP11	XAFC36D	1.02	0.91	1.12
TM9Y080C16MP11	XAFC36D	1.02	0.91	1.12
TM9Y080C16MP11	XAHC36D	1.02	0.90	1.13
TM9Y080C16MP11	XAHC36D	1.02	0.90	1.13
TM9Y080C16MP11	XAHC36D	1.02	0.90	1.13
TM9Y100C16MP11	CF36C	0.96	0.88	1.09
TM9Y100C16MP11	CM36C	0.96	0.88	1.09
TM9Y100C16MP11	CM36C	0.96	0.88	1.09
TM9Y100C16MP11	CU36C	0.96	0.88	1.09
TM9Y100C16MP11	CU36C	0.96	0.88	1.09
TM9Y100C16MP11	XAFC36D	0.98	0.87	1.13
TM9Y100C16MP11	XAFC36D	1.02	0.91	1.11
TM9Y100C16MP11	XAFC36D	1.02	0.91	1.11
TM9Y100C16MP11	XAHC36D	1.00	0.89	1.11
TM9Y100C16MP11	XAHC36D	1.00	0.89	1.11
TM9Y100C16MP11	XAHC36D	1.00	0.89	1.11
TMLE040A12MP11	CF36A	0.97	0.86	1.12
TMLE040A12MP11	CF36B	0.98	0.87	1.12
TMLE040A12MP11	CF36B	0.98	0.87	1.12
TMLE040A12MP11	CM36A	0.97	0.86	1.12
TMLE040A12MP11	CM36B	0.98	0.87	1.12
TMLE040A12MP11	CM36B	0.98	0.87	1.12
TMLE040A12MP11	CU36B	0.98	0.87	1.12
TMLE040A12MP11	XAFA30D	1.02	0.91	1.12
TMLE040A12MP11	XAFA30D	1.02	0.91	1.12
TMLE040A12MP11	XAFB36D	1.03	0.92	1.12
TMLE040A12MP11	XAFB36D	1.02	0.91	1.12
TMLE040A12MP11	XAFB36D	1.02	0.91	1.12
TMLE040A12MP11	XAHB36D	1.01	0.90	1.12
TMLE040A12MP11	XAHB36D	1.01	0.90	1.12
TMLE040A12MP11	XAHB36D	1.01	0.90	1.12
TMLE040A12MP11	XAUB36D	1.02	0.91	1.12
TMLE060A12MP11	CF36A	0.98	0.85	1.14
TMLE060A12MP11	CF36B	0.98	0.86	1.14
TMLE060A12MP11	CF36B	0.98	0.86	1.14
TMLE060A12MP11	CM36A	0.98	0.85	1.14
TMLE060A12MP11	CM36B	0.98	0.86	1.14

**Table 31: Heat multiplier furnace - 3 ton (36k)**

Furnace model	Indoor coil model	MBH	Cop	kW
TMLE060A12MP11	CM36B	0.98	0.86	1.14
TMLE060A12MP11	CU36B	0.98	0.86	1.14
TMLE060A12MP11	XAFA30D	1.03	0.90	1.13
TMLE060A12MP11	XAFA30D	1.03	0.90	1.13
TMLE060A12MP11	XAFB36D	1.04	0.91	1.14
TMLE060A12MP11	XAFB36D	1.03	0.90	1.13
TMLE060A12MP11	XAFB36D	1.03	0.90	1.13
TMLE060A12MP11	XAHB36D	1.02	0.89	1.14
TMLE060A12MP11	XAHB36D	1.02	0.89	1.14
TMLE060A12MP11	XAHB36D	1.02	0.89	1.14
TMLE060A12MP11	XAUB36D	1.03	0.90	1.13
TMLE080B12MP11	CF36B	0.98	0.86	1.14
TMLE080B12MP11	CF36B	0.98	0.86	1.14
TMLE080B12MP11	CF36C	0.98	0.86	1.13
TMLE080B12MP11	CM36B	0.98	0.86	1.14
TMLE080B12MP11	CM36B	0.98	0.86	1.14
TMLE080B12MP11	CM36C	0.98	0.86	1.13
TMLE080B12MP11	CM36C	0.98	0.86	1.13
TMLE080B12MP11	CU36B	0.98	0.86	1.14
TMLE080B12MP11	CU36C	0.98	0.86	1.13
TMLE080B12MP11	CU36C	0.98	0.86	1.13
TMLE080B12MP11	XAFB36D	1.04	0.89	1.17
TMLE080B12MP11	XAFB36D	1.04	0.89	1.17
TMLE080B12MP11	XAFB36D	1.04	0.89	1.17
TMLE080B12MP11	XAFC36D	1.04	0.89	1.17
TMLE080B12MP11	XAFC36D	1.03	0.90	1.13
TMLE080B12MP11	XAFC36D	1.03	0.90	1.13
TMLE080B12MP11	XAHB36D	1.02	0.89	1.15
TMLE080B12MP11	XAHB36D	1.00	0.88	1.13
TMLE080B12MP11	XAHB36D	1.00	0.88	1.13
TMLE080B12MP11	XAHC36D	1.03	0.87	1.17
TMLE080B12MP11	XAHC36D	1.03	0.87	1.17
TMLE080B12MP11	XAHC36D	1.03	0.87	1.17
TMLE080B12MP11	XAUB36D	1.04	0.89	1.17
TMLE080C16MP11	CF36C	0.98	0.88	1.11
TMLE080C16MP11	CM36C	0.98	0.88	1.11
TMLE080C16MP11	CM36C	0.98	0.88	1.11
TMLE080C16MP11	CU36C	0.98	0.88	1.11
TMLE080C16MP11	CU36C	0.98	0.88	1.11
TMLE080C16MP11	XAFC36D	1.03	0.92	1.12
TMLE080C16MP11	XAFC36D	1.02	0.92	1.10
TMLE080C16MP11	XAFC36D	1.02	0.92	1.10
TMLE080C16MP11	XAHC36D	1.01	0.90	1.11
TMLE080C16MP11	XAHC36D	1.01	0.90	1.11
TMLE080C16MP11	XAHC36D	1.01	0.90	1.11
TMLE100B12MP11	CF36B	0.98	0.86	1.13
TMLE100B12MP11	CF36B	0.98	0.86	1.13
TMLE100B12MP11	CF36C	0.98	0.87	1.13
TMLE100B12MP11	CM36B	0.98	0.86	1.13
TMLE100B12MP11	CM36B	0.98	0.86	1.13
TMLE100B12MP11	CM36C	0.98	0.87	1.13
TMLE100B12MP11	CM36C	0.98	0.87	1.13
TMLE100B12MP11	CU36B	0.98	0.86	1.13

**Table 31: Heat multiplier furnace - 3 ton (36k)**

Furnace model	Indoor coil model	MBH	Cop	kW
TMLE100B12MP11	CU36C	0.98	0.87	1.13
TMLE100B12MP11	CU36C	0.98	0.87	1.13
TMLE100B12MP11	XAFB36D	1.04	0.91	1.14
TMLE100B12MP11	XAFB36D	1.04	0.91	1.14
TMLE100B12MP11	XAFB36D	1.04	0.91	1.14
TMLE100B12MP11	XAFC36D	1.04	0.91	1.13
TMLE100B12MP11	XAFC36D	1.02	0.91	1.12
TMLE100B12MP11	XAFC36D	1.02	0.91	1.12
TMLE100B12MP11	XAHB36D	1.02	0.89	1.13
TMLE100B12MP11	XAHB36D	1.00	0.89	1.12
TMLE100B12MP11	XAHB36D	1.00	0.89	1.12
TMLE100B12MP11	XAHC36D	1.02	0.89	1.13
TMLE100B12MP11	XAHC36D	1.02	0.89	1.13
TMLE100B12MP11	XAHC36D	1.02	0.89	1.13
TMLE100B12MP11	XAHC36D	1.02	0.89	1.13
TMLE100B12MP11	XAUB36D	1.04	0.91	1.14
TMLE100C16MP11	CF36C	0.98	0.88	1.12
TMLE100C16MP11	CM36C	0.98	0.88	1.12
TMLE100C16MP11	CM36C	0.98	0.88	1.12
TMLE100C16MP11	CU36C	0.98	0.88	1.12
TMLE100C16MP11	CU36C	0.98	0.88	1.12
TMLE100C16MP11	XAFC36D	1.04	0.92	1.12
TMLE100C16MP11	XAFC36D	1.02	0.91	1.11
TMLE100C16MP11	XAFC36D	1.02	0.91	1.11
TMLE100C16MP11	XAHC36D	1.02	0.90	1.12
TMLE100C16MP11	XAHC36D	1.02	0.90	1.12
TMLE100C16MP11	XAHC36D	1.02	0.90	1.12
TMLE100C16MP11	XAHC36D	1.02	0.90	1.12
TMLE120C16MP11	CF36C	0.98	0.88	1.12
TMLE120C16MP11	CM36C	0.98	0.88	1.12
TMLE120C16MP11	CM36C	0.98	0.88	1.12
TMLE120C16MP11	CU36C	0.98	0.88	1.12
TMLE120C16MP11	CU36C	0.98	0.88	1.12
TMLE120C16MP11	XAFC36D	1.04	0.92	1.12
TMLE120C16MP11	XAFC36D	1.04	0.92	1.12
TMLE120C16MP11	XAFC36D	1.04	0.92	1.12
TMLE120C16MP11	XAHC36D	1.02	0.90	1.12
TMLE120C16MP11	XAHC36D	1.00	0.90	1.11
TMLE120C16MP11	XAHC36D	1.00	0.90	1.11
TMLV060A12MP12C	CF36A	0.95	0.86	1.10
TMLV060A12MP12C	CF36B	0.99	0.86	1.15
TMLV060A12MP12C	CF36B	0.99	0.86	1.15
TMLV060A12MP12C	CM36A	0.95	0.86	1.10
TMLV060A12MP12C	CM36B	0.99	0.86	1.15
TMLV060A12MP12C	CM36B	0.99	0.86	1.15
TMLV060A12MP12C	CU36B	0.99	0.86	1.15
TMLV060A12MP12C	XAFB36D	1.03	0.90	1.15
TMLV060A12MP12C	XAFB36D	1.03	0.92	1.12
TMLV060A12MP12C	XAFB36D	1.03	0.92	1.12
TMLV060A12MP12C	XAHB36D	1.02	0.89	1.13
TMLV060A12MP12C	XAHB36D	1.02	0.89	1.13
TMLV060A12MP12C	XAHB36D	1.02	0.89	1.13
TMLV060A12MP12C	XAUB36D	1.03	0.92	1.12
TMLV100C16MP12C	CF36C	0.98	0.88	1.11
TMLV100C16MP12C	CM36C	0.98	0.88	1.11



**Table 31: Heat multiplier furnace - 3 ton (36k)**

Furnace model	Indoor coil model	MBH	Cop	kW
TMLV100C16MP12C	CM36C	0.98	0.88	1.11
TMLV100C16MP12C	CU36C	0.98	0.88	1.11
TMLV100C16MP12C	CU36C	0.98	0.88	1.11
TMLV100C16MP12C	XAFC36D	1.03	0.92	1.12
TMLV100C16MP12C	XAFC36D	1.02	0.91	1.11
TMLV100C16MP12C	XAFC36D	1.02	0.91	1.11
TMLV100C16MP12C	XAHC36D	1.02	0.89	1.15
TMLV100C16MP12C	XAHC36D	1.00	0.89	1.12
TMLV100C16MP12C	XAHC36D	1.00	0.89	1.12
TMLV120C20MP12C	CF36C	0.99	0.89	1.12
TMLV120C20MP12C	CM36C	0.99	0.89	1.12
TMLV120C20MP12C	CM36C	0.99	0.89	1.12
TMLV120C20MP12C	CU36C	0.99	0.89	1.12
TMLV120C20MP12C	CU36C	0.99	0.89	1.12
TP9C060B12MP13C	CF36B	0.97	0.86	1.12
TP9C060B12MP13C	CF36B	0.97	0.86	1.12
TP9C060B12MP13C	CF36C	0.99	0.85	1.16
TP9C060B12MP13C	CM36B	0.97	0.86	1.12
TP9C060B12MP13C	CM36B	0.97	0.86	1.12
TP9C060B12MP13C	CM36C	0.99	0.85	1.16
TP9C060B12MP13C	CM36C	0.99	0.85	1.16
TP9C060B12MP13C	CU36B	0.97	0.86	1.12
TP9C060B12MP13C	CU36C	0.99	0.85	1.16
TP9C060B12MP13C	CU36C	0.99	0.85	1.16
TP9C060B12MP13C	XAFB36D	1.05	0.90	1.16
TP9C060B12MP13C	XAFB36D	1.02	0.91	1.12
TP9C060B12MP13C	XAFB36D	1.02	0.91	1.12
TP9C060B12MP13C	XAFC36D	1.02	0.91	1.11
TP9C060B12MP13C	XAFC36D	1.02	0.91	1.11
TP9C060B12MP13C	XAFC36D	1.02	0.91	1.11
TP9C060B12MP13C	XAHB36D	1.02	0.89	1.15
TP9C060B12MP13C	XAHB36D	1.01	0.89	1.13
TP9C060B12MP13C	XAHB36D	1.01	0.89	1.13
TP9C060B12MP13C	XAHC36D	1.02	0.88	1.16
TP9C060B12MP13C	XAHC36D	1.02	0.88	1.16
TP9C060B12MP13C	XAHC36D	1.02	0.88	1.16
TP9C060B12MP13C	XAUB36D	1.02	0.91	1.12
TP9C080B12MP13C	CF36B	0.97	0.86	1.13
TP9C080B12MP13C	CF36B	0.97	0.86	1.13
TP9C080B12MP13C	CF36C	0.97	0.87	1.11
TP9C080B12MP13C	CM36B	0.97	0.86	1.13
TP9C080B12MP13C	CM36B	0.97	0.86	1.13
TP9C080B12MP13C	CM36C	0.97	0.87	1.11
TP9C080B12MP13C	CM36C	0.97	0.87	1.11
TP9C080B12MP13C	CU36B	0.97	0.86	1.13
TP9C080B12MP13C	CU36C	0.97	0.87	1.11
TP9C080B12MP13C	CU36C	0.97	0.87	1.11
TP9C080B12MP13C	XAFB36D	1.04	0.89	1.17
TP9C080B12MP13C	XAFB36D	1.02	0.91	1.12
TP9C080B12MP13C	XAFB36D	1.02	0.91	1.12
TP9C080B12MP13C	XAFC36D	1.02	0.91	1.12
TP9C080B12MP13C	XAFC36D	1.02	0.91	1.12
TP9C080B12MP13C	XAFC36D	1.02	0.91	1.12

**Table 31: Heat multiplier furnace - 3 ton (36k)**

Furnace model	Indoor coil model	MBH	Cop	kW
TP9C080B12MP13C	XAHB36D	1.03	0.88	1.16
TP9C080B12MP13C	XAHB36D	1.03	0.88	1.16
TP9C080B12MP13C	XAHB36D	1.03	0.88	1.16
TP9C080B12MP13C	XAHC36D	1.03	0.87	1.17
TP9C080B12MP13C	XAHC36D	1.03	0.87	1.17
TP9C080B12MP13C	XAHC36D	1.03	0.87	1.17
TP9C080B12MP13C	XAUB36D	1.02	0.91	1.12
TP9C080C16MP13C	CF36C	0.98	0.87	1.12
TP9C080C16MP13C	CM36C	0.98	0.87	1.12
TP9C080C16MP13C	CM36C	0.98	0.87	1.12
TP9C080C16MP13C	CU36C	0.98	0.87	1.12
TP9C080C16MP13C	CU36C	0.98	0.87	1.12
TP9C080C16MP13C	XAFC36D	1.02	0.91	1.12
TP9C080C16MP13C	XAFC36D	1.02	0.91	1.12
TP9C080C16MP13C	XAFC36D	1.02	0.91	1.12
TP9C080C16MP13C	XAHC36D	1.02	0.88	1.16
TP9C080C16MP13C	XAHC36D	1.02	0.88	1.16
TP9C080C16MP13C	XAHC36D	1.02	0.88	1.16
TP9C100C16MP13C	CF36C	0.98	0.88	1.11
TP9C100C16MP13C	CM36C	0.98	0.88	1.11
TP9C100C16MP13C	CM36C	0.98	0.88	1.11
TP9C100C16MP13C	CU36C	0.98	0.88	1.11
TP9C100C16MP13C	CU36C	0.98	0.88	1.11
TP9C100C16MP13C	XAFC36D	1.04	0.91	1.14
TP9C100C16MP13C	XAFC36D	1.02	0.92	1.11
TP9C100C16MP13C	XAFC36D	1.02	0.92	1.11
TP9C100C16MP13C	XAHC36D	1.02	0.89	1.14
TP9C100C16MP13C	XAHC36D	1.00	0.90	1.12
TP9C100C16MP13C	XAHC36D	1.00	0.90	1.12
TP9C100C20MP13C	CF36C	0.98	0.88	1.11
TP9C100C20MP13C	CM36C	0.98	0.88	1.11
TP9C100C20MP13C	CM36C	0.98	0.88	1.11
TP9C100C20MP13C	CU36C	0.98	0.88	1.11
TP9C100C20MP13C	CU36C	0.98	0.88	1.11
TP9C100C20MP13C	XAFC36D	1.02	0.91	1.12
TP9C100C20MP13C	XAFC36D	1.02	0.91	1.12
TP9C100C20MP13C	XAFC36D	1.02	0.91	1.12
TP9C100C20MP13C	XAHC36D	1.01	0.88	1.14
TP9C100C20MP13C	XAHC36D	1.01	0.88	1.14
TP9C100C20MP13C	XAHC36D	1.01	0.88	1.14
TPPLC060A12MP13C	CF36A	0.95	0.86	1.10
TPPLC060A12MP13C	CF36B	0.99	0.86	1.15
TPPLC060A12MP13C	CF36B	0.99	0.86	1.15
TPPLC060A12MP13C	CM36A	0.95	0.86	1.10
TPPLC060A12MP13C	CM36B	0.99	0.86	1.15
TPPLC060A12MP13C	CM36B	0.99	0.86	1.15
TPPLC060A12MP13C	CU36B	0.99	0.86	1.15
TPPLC060A12MP13C	XAFB36D	1.03	0.90	1.15
TPPLC060A12MP13C	XAFB36D	1.03	0.92	1.12
TPPLC060A12MP13C	XAFB36D	1.03	0.92	1.12
TPPLC060A12MP13C	XAHB36D	1.02	0.89	1.13
TPPLC060A12MP13C	XAHB36D	1.02	0.89	1.13
TPPLC060A12MP13C	XAHB36D	1.02	0.89	1.13

**Table 31: Heat multiplier furnace - 3 ton (36k)**

Furnace model	Indoor coil model	MBH	Cop	kW
TPLC060A12MP13C	XAUB36D	1.03	0.92	1.12
TPLC080B12MP13C	CF36B	0.97	0.86	1.13
TPLC080B12MP13C	CF36B	0.97	0.86	1.13
TPLC080B12MP13C	CF36C	0.97	0.86	1.11
TPLC080B12MP13C	CM36B	0.97	0.86	1.13
TPLC080B12MP13C	CM36B	0.97	0.86	1.13
TPLC080B12MP13C	CM36C	0.97	0.86	1.11
TPLC080B12MP13C	CM36C	0.97	0.86	1.11
TPLC080B12MP13C	CU36B	0.97	0.86	1.13
TPLC080B12MP13C	CU36C	0.97	0.86	1.11
TPLC080B12MP13C	CU36C	0.97	0.86	1.11
TPLC080B12MP13C	XAFB36D	1.04	0.91	1.13
TPLC080B12MP13C	XAFB36D	1.02	0.90	1.13
TPLC080B12MP13C	XAFB36D	1.02	0.90	1.13
TPLC080B12MP13C	XAFC36D	1.04	0.90	1.16
TPLC080B12MP13C	XAFC36D	1.02	0.91	1.12
TPLC080B12MP13C	XAFC36D	1.02	0.91	1.12
TPLC080B12MP13C	XAHB36D	1.02	0.89	1.14
TPLC080B12MP13C	XAHB36D	1.02	0.89	1.14
TPLC080B12MP13C	XAHB36D	1.02	0.89	1.14
TPLC080B12MP13C	XAHC36D	1.02	0.90	1.13
TPLC080B12MP13C	XAHC36D	1.02	0.90	1.13
TPLC080B12MP13C	XAHC36D	1.02	0.90	1.13
TPLC080B12MP13C	XAUB36D	1.02	0.90	1.13
TPLC080C16MP13C	CF36C	0.98	0.88	1.11
TPLC080C16MP13C	CM36C	0.98	0.88	1.11
TPLC080C16MP13C	CM36C	0.98	0.88	1.11
TPLC080C16MP13C	CU36C	0.98	0.88	1.11
TPLC080C16MP13C	CU36C	0.98	0.88	1.11
TPLC080C16MP13C	XAFC36D	1.03	0.92	1.12
TPLC080C16MP13C	XAFC36D	1.02	0.91	1.11
TPLC080C16MP13C	XAFC36D	1.02	0.91	1.11
TPLC080C16MP13C	XAHC36D	1.02	0.89	1.15
TPLC080C16MP13C	XAHC36D	1.00	0.89	1.12
TPLC080C16MP13C	XAHC36D	1.00	0.89	1.12
TPLC100C16MP13C	CF36C	0.98	0.88	1.11
TPLC100C16MP13C	CM36C	0.98	0.88	1.11
TPLC100C16MP13C	CM36C	0.98	0.88	1.11
TPLC100C16MP13C	CU36C	0.98	0.88	1.11
TPLC100C16MP13C	CU36C	0.98	0.88	1.11
TPLC100C16MP13C	XAFC36D	1.03	0.92	1.12
TPLC100C16MP13C	XAFC36D	1.02	0.91	1.11
TPLC100C16MP13C	XAFC36D	1.02	0.91	1.11
TPLC100C16MP13C	XAHC36D	1.02	0.89	1.15
TPLC100C16MP13C	XAHC36D	1.00	0.89	1.12
TPLC100C16MP13C	XAHC36D	1.00	0.89	1.12
TPLC100C20MP13C	CF36C	0.99	0.89	1.12
TPLC100C20MP13C	CM36C	0.99	0.89	1.12
TPLC100C20MP13C	CM36C	0.99	0.89	1.12
TPLC100C20MP13C	CU36C	0.99	0.89	1.12
TPLC100C20MP13C	CU36C	0.99	0.89	1.12
TPLC120C20MP13C	CF36C	0.99	0.89	1.12
TPLC120C20MP13C	CM36C	0.99	0.89	1.12

**Table 31: Heat multiplier furnace - 3 ton (36k)**

Furnace model	Indoor coil model	MBH	Cop	kW
TPLC120C20MP13C	CM36C	0.99	0.89	1.12
TPLC120C20MP13C	CU36C	0.99	0.89	1.12
TPLC120C20MP13C	CU36C	0.99	0.89	1.12
YP9C060B12MP13C	CF36B	0.97	0.86	1.12
YP9C060B12MP13C	CF36B	0.97	0.86	1.12
YP9C060B12MP13C	CF36C	0.99	0.85	1.16
YP9C060B12MP13C	CM36B	0.97	0.86	1.12
YP9C060B12MP13C	CM36B	0.97	0.86	1.12
YP9C060B12MP13C	CM36C	0.99	0.85	1.16
YP9C060B12MP13C	CM36C	0.99	0.85	1.16
YP9C060B12MP13C	CU36B	0.97	0.86	1.12
YP9C060B12MP13C	CU36C	0.99	0.85	1.16
YP9C060B12MP13C	CU36C	0.99	0.85	1.16
YP9C060B12MP13C	XAFB36D	1.05	0.90	1.16
YP9C060B12MP13C	XAFB36D	1.02	0.91	1.12
YP9C060B12MP13C	XAFB36D	1.02	0.91	1.12
YP9C060B12MP13C	XAFC36D	1.02	0.91	1.11
YP9C060B12MP13C	XAFC36D	1.02	0.91	1.11
YP9C060B12MP13C	XAFC36D	1.02	0.91	1.11
YP9C060B12MP13C	XAHB36D	1.02	0.89	1.15
YP9C060B12MP13C	XAHB36D	1.01	0.89	1.13
YP9C060B12MP13C	XAHB36D	1.01	0.89	1.13
YP9C060B12MP13C	XAHC36D	1.02	0.88	1.16
YP9C060B12MP13C	XAHC36D	1.02	0.88	1.16
YP9C060B12MP13C	XAHC36D	1.02	0.88	1.16
YP9C060B12MP13C	XAUB36D	1.02	0.91	1.12
YP9C080B12MP13C	CF36B	0.97	0.86	1.13
YP9C080B12MP13C	CF36B	0.97	0.86	1.13
YP9C080B12MP13C	CF36C	0.97	0.87	1.11
YP9C080B12MP13C	CM36B	0.97	0.86	1.13
YP9C080B12MP13C	CM36B	0.97	0.86	1.13
YP9C080B12MP13C	CM36C	0.97	0.87	1.11
YP9C080B12MP13C	CM36C	0.97	0.87	1.11
YP9C080B12MP13C	CU36B	0.97	0.86	1.13
YP9C080B12MP13C	CU36C	0.97	0.87	1.11
YP9C080B12MP13C	CU36C	0.97	0.87	1.11
YP9C080B12MP13C	XAFB36D	1.04	0.89	1.17
YP9C080B12MP13C	XAFB36D	1.02	0.91	1.12
YP9C080B12MP13C	XAFB36D	1.02	0.91	1.12
YP9C080B12MP13C	XAFC36D	1.02	0.91	1.12
YP9C080B12MP13C	XAFC36D	1.02	0.91	1.12
YP9C080B12MP13C	XAFC36D	1.02	0.91	1.12
YP9C080B12MP13C	XAHB36D	1.03	0.88	1.16
YP9C080B12MP13C	XAHB36D	1.03	0.88	1.16
YP9C080B12MP13C	XAHB36D	1.03	0.88	1.16
YP9C080B12MP13C	XAHC36D	1.03	0.87	1.17
YP9C080B12MP13C	XAHC36D	1.03	0.87	1.17
YP9C080B12MP13C	XAHC36D	1.03	0.87	1.17
YP9C080B12MP13C	XAUB36D	1.02	0.91	1.12
YP9C080C16MP13C	CF36C	0.98	0.87	1.12
YP9C080C16MP13C	CM36C	0.98	0.87	1.12
YP9C080C16MP13C	CM36C	0.98	0.87	1.12
YP9C080C16MP13C	CU36C	0.98	0.87	1.12

**Table 31: Heat multiplier furnace - 3 ton (36k)**

Furnace model	Indoor coil model	MBH	Cop	kW
YP9C080C16MP13C	CU36C	0.98	0.87	1.12
YP9C080C16MP13C	XAFC36D	1.02	0.91	1.12
YP9C080C16MP13C	XAFC36D	1.02	0.91	1.12
YP9C080C16MP13C	XAFC36D	1.02	0.91	1.12
YP9C080C16MP13C	XAHC36D	1.02	0.88	1.16
YP9C080C16MP13C	XAHC36D	1.02	0.88	1.16
YP9C080C16MP13C	XAHC36D	1.02	0.88	1.16
YP9C100C16MP13C	CF36C	0.98	0.88	1.11
YP9C100C16MP13C	CM36C	0.98	0.88	1.11
YP9C100C16MP13C	CM36C	0.98	0.88	1.11
YP9C100C16MP13C	CU36C	0.98	0.88	1.11
YP9C100C16MP13C	CU36C	0.98	0.88	1.11
YP9C100C16MP13C	XAFC36D	1.04	0.91	1.14
YP9C100C16MP13C	XAFC36D	1.02	0.92	1.11
YP9C100C16MP13C	XAFC36D	1.02	0.92	1.11
YP9C100C16MP13C	XAHC36D	1.02	0.89	1.14
YP9C100C16MP13C	XAHC36D	1.00	0.90	1.12
YP9C100C16MP13C	XAHC36D	1.00	0.90	1.12
YP9C100C20MP13C	CF36C	0.98	0.88	1.11
YP9C100C20MP13C	CM36C	0.98	0.88	1.11
YP9C100C20MP13C	CM36C	0.98	0.88	1.11
YP9C100C20MP13C	CU36C	0.98	0.88	1.11
YP9C100C20MP13C	CU36C	0.98	0.88	1.11
YP9C100C20MP13C	XAFC36D	1.02	0.91	1.12
YP9C100C20MP13C	XAFC36D	1.02	0.91	1.12
YP9C100C20MP13C	XAFC36D	1.02	0.91	1.12
YP9C100C20MP13C	XAHC36D	1.01	0.88	1.14
YP9C100C20MP13C	XAHC36D	1.01	0.88	1.14
YP9C100C20MP13C	XAHC36D	1.01	0.88	1.14
YPLC060A12MP13C	CF36A	0.95	0.86	1.10
YPLC060A12MP13C	CF36B	0.99	0.86	1.15
YPLC060A12MP13C	CF36B	0.99	0.86	1.15
YPLC060A12MP13C	CM36A	0.95	0.86	1.10
YPLC060A12MP13C	CM36B	0.99	0.86	1.15
YPLC060A12MP13C	CM36B	0.99	0.86	1.15
YPLC060A12MP13C	CU36B	0.99	0.86	1.15
YPLC060A12MP13C	XAFB36D	1.03	0.90	1.15
YPLC060A12MP13C	XAFB36D	1.03	0.92	1.12
YPLC060A12MP13C	XAFB36D	1.03	0.92	1.12
YPLC060A12MP13C	XAHB36D	1.02	0.89	1.13
YPLC060A12MP13C	XAHB36D	1.02	0.89	1.13
YPLC060A12MP13C	XAHB36D	1.02	0.89	1.13
YPLC060A12MP13C	XAUB36D	1.03	0.92	1.12
YPLC080B12MP13C	CF36B	0.97	0.86	1.13
YPLC080B12MP13C	CF36B	0.97	0.86	1.13
YPLC080B12MP13C	CF36C	0.97	0.86	1.11
YPLC080B12MP13C	CM36B	0.97	0.86	1.13
YPLC080B12MP13C	CM36B	0.97	0.86	1.13
YPLC080B12MP13C	CM36C	0.97	0.86	1.11
YPLC080B12MP13C	CM36C	0.97	0.86	1.11
YPLC080B12MP13C	CU36B	0.97	0.86	1.13
YPLC080B12MP13C	CU36C	0.97	0.86	1.11
YPLC080B12MP13C	CU36C	0.97	0.86	1.11

**Table 31: Heat multiplier furnace - 3 ton (36k)**

Furnace model	Indoor coil model	MBH	Cop	kW
YPLC080B12MP13C	XAFB36D	1.04	0.91	1.13
YPLC080B12MP13C	XAFB36D	1.02	0.90	1.13
YPLC080B12MP13C	XAFB36D	1.02	0.90	1.13
YPLC080B12MP13C	XAFC36D	1.04	0.90	1.16
YPLC080B12MP13C	XAFC36D	1.02	0.91	1.12
YPLC080B12MP13C	XAFC36D	1.02	0.91	1.12
YPLC080B12MP13C	XAHB36D	1.02	0.89	1.14
YPLC080B12MP13C	XAHB36D	1.02	0.89	1.14
YPLC080B12MP13C	XAHB36D	1.02	0.89	1.14
YPLC080B12MP13C	XAHC36D	1.02	0.90	1.13
YPLC080B12MP13C	XAHC36D	1.02	0.90	1.13
YPLC080B12MP13C	XAHC36D	1.02	0.90	1.13
YPLC080B12MP13C	XAUB36D	1.02	0.90	1.13
YPLC080C16MP13C	CF36C	0.98	0.88	1.11
YPLC080C16MP13C	CM36C	0.98	0.88	1.11
YPLC080C16MP13C	CM36C	0.98	0.88	1.11
YPLC080C16MP13C	CU36C	0.98	0.88	1.11
YPLC080C16MP13C	CU36C	0.98	0.88	1.11
YPLC080C16MP13C	XAFC36D	1.03	0.92	1.12
YPLC080C16MP13C	XAFC36D	1.02	0.91	1.11
YPLC080C16MP13C	XAFC36D	1.02	0.91	1.11
YPLC080C16MP13C	XAHC36D	1.02	0.89	1.15
YPLC080C16MP13C	XAHC36D	1.00	0.89	1.12
YPLC080C16MP13C	XAHC36D	1.00	0.89	1.12
YPLC100C16MP13C	CF36C	0.98	0.88	1.11
YPLC100C16MP13C	CM36C	0.98	0.88	1.11
YPLC100C16MP13C	CM36C	0.98	0.88	1.11
YPLC100C16MP13C	CU36C	0.98	0.88	1.11
YPLC100C16MP13C	CU36C	0.98	0.88	1.11
YPLC100C16MP13C	XAFC36D	1.03	0.92	1.12
YPLC100C16MP13C	XAFC36D	1.02	0.91	1.11
YPLC100C16MP13C	XAFC36D	1.02	0.91	1.11
YPLC100C16MP13C	XAHC36D	1.02	0.89	1.15
YPLC100C16MP13C	XAHC36D	1.00	0.89	1.12
YPLC100C16MP13C	XAHC36D	1.00	0.89	1.12
YPLC100C20MP13C	CF36C	0.99	0.89	1.12
YPLC100C20MP13C	CM36C	0.99	0.89	1.12
YPLC100C20MP13C	CM36C	0.99	0.89	1.12
YPLC100C20MP13C	CU36C	0.99	0.89	1.12
YPLC100C20MP13C	CU36C	0.99	0.89	1.12
YPLC120C20MP13C	CF36C	0.99	0.89	1.12
YPLC120C20MP13C	CM36C	0.99	0.89	1.12
YPLC120C20MP13C	CM36C	0.99	0.89	1.12
YPLC120C20MP13C	CU36C	0.99	0.89	1.12
YPLC120C20MP13C	CU36C	0.99	0.89	1.12

# Performance data - 4 ton

## Cooling performance data - 4 ton

**Table 32: Cooling performance data - 4 ton**

Air temperature entering outdoor unit (°F)	Indoor CFM	1200					1500					1800								
		Indoor dry bulb (°F)		80	80	75	80	80	80	80	75	80	80	Indoor dry bulb (°F)		80	80	75	80	80
		Indoor wet bulb (°F)		57	62	62	67	72	57	62	62	67	72	57	62	62	67	72		
55	Total capacity	40.9	49.8	49.5	55.0	58.5	44.5	49.7	50.7	57.4	61.3	48.0	49.6	51.9	59.8	64.1				
55	Sensible capacity	40.9	31.6	35.4	36.0	27.7	44.5	40.6	38.9	39.3	30.0	48.0	49.6	42.5	42.5	32.3				
55	kW	2.99	3.03	3.03	3.08	3.16	3.14	3.16	3.15	3.20	3.26	3.29	3.28	3.27	3.31	3.36				
65	Total capacity	39.0	46.6	46.8	52.2	56.1	41.4	46.1	47.9	54.4	58.5	43.8	45.7	49.0	56.6	61.0				
65	Sensible capacity	39.0	29.8	34.4	34.7	27.0	41.4	37.7	38.0	38.0	29.2	43.8	45.7	41.6	41.3	31.5				
65	kW	3.38	3.43	3.43	3.47	3.59	3.53	3.56	3.55	3.60	3.70	3.68	3.68	3.68	3.72	3.81				
75	Total capacity	37.0	43.5	44.1	49.5	53.8	38.3	42.6	45.1	51.4	55.8	39.5	41.8	46.0	53.4	57.8				
75	Sensible capacity	37.0	27.9	33.4	33.4	26.2	38.3	34.9	36.9	36.7	28.4	39.5	41.8	40.5	40.0	30.5				
75	kW	3.78	3.82	3.82	3.87	4.01	3.93	3.95	3.96	4.00	4.13	4.07	4.09	4.09	4.14	4.25				
85	Total capacity	35.1	40.3	41.5	46.7	51.4	35.2	39.1	42.2	48.4	53.0	35.3	37.9	43.0	50.1	54.6				
85	Sensible capacity	35.1	26.1	32.2	32.0	25.4	35.2	32.0	35.7	35.3	27.5	35.3	37.9	39.3	38.5	29.5				
85	kW	4.17	4.22	4.22	4.26	4.44	4.32	4.35	4.36	4.41	4.57	4.47	4.49	4.50	4.55	4.70				
95	Total capacity	33.1	37.1	38.8	44.0	49.1	32.1	35.6	39.4	45.4	50.3	31.1	34.0	40.0	46.9	51.5				
95	Sensible capacity	33.1	24.2	30.9	30.6	24.6	32.1	29.1	34.4	33.7	26.5	31.1	34.0	37.8	36.9	28.4				
95	kW	4.56	4.61	4.61	4.66	4.87	4.71	4.75	4.76	4.81	5.01	4.86	4.89	4.91	4.96	5.15				
105	Total capacity	31.1	34.0	36.1	41.2	46.7	29.0	32.0	36.6	42.4	47.5	26.9	30.1	37.0	43.7	48.3				
105	Sensible capacity	31.1	22.3	29.5	29.1	23.7	29.0	26.2	32.8	32.1	25.5	26.9	30.1	36.2	35.2	27.2				
105	kW	4.95	5.00	5.01	5.05	5.30	5.10	5.15	5.16	5.21	5.45	5.26	5.29	5.31	5.38	5.60				
115	Total capacity	36.0	30.9	35.0	38.0	38.8	27.9	27.8	36.0	39.0	38.2	19.8	24.7	37.0	39.9	37.6				
115	Sensible capacity	36.0	30.9	29.0	27.7	20.4	27.7	27.8	32.6	31.0	21.6	19.4	24.7	36.3	34.3	22.8				
115	kW	5.38	5.44	5.48	5.41	5.28	5.51	5.57	5.62	5.59	5.36	5.65	5.71	5.77	5.78	5.44				

## Multipliers for determining the performance with other indoor sections

### Cool multiplier airhandler - 4 ton

**Table 33: Cool multiplier air handler - 4 ton**

Air handler model	Indoor coil model	Total capacity	Sensible capacity	kW
AE60D	—	0.99	0.81	1.07
AE60D	—	0.99	0.81	1.07
AE60DX21	—	0.99	0.81	1.07
AE60DX21	—	0.99	0.81	1.07
AVC60DX21	—	0.97	0.93	1.14
AVC60DX21	—	0.97	0.93	1.14
JHETC60HBCS2N1	—	1.00	0.95	1.12
JHETC60HXXS2N1	—	1.00	0.95	1.11
JHETD60HBCS2N1	—	1.00	0.95	1.11
JHETD60JBCS2N1	—	0.98	0.97	1.09
JHETD60JXXS2N1	—	0.98	0.97	1.09
JHVTC60HBCC2N1	—	0.99	0.94	1.11
JHVTC60HXXC2N1	—	1.00	0.95	1.11
JHVTD60HBCC2N1	—	0.99	0.95	1.09
JHVTD60JBCC2N1	—	0.97	0.97	1.07
JHVTD60JXXC2N1	—	0.97	0.97	1.07
JMET16CS2N1A	XAFC60H	0.99	0.94	1.12
JMET16CS2N1A	XAFC60H	0.99	0.94	1.12
JMET16CS2N1A	XAHC60H	0.97	0.93	1.12
JMET16CS2N1A	XAHC60H	0.97	0.93	1.12
JMET18DS2N1A	XAFD60H	1.00	0.95	1.11

**Table 33: Cool multiplier air handler - 4 ton**

Air handler model	Indoor coil model	Total capacity	Sensible capacity	kW
JMET18DS2N1A	XAFD60H	1.00	0.95	1.11
JMET18DS2N1A	XAFD60J	0.99	0.94	1.1
JMET18DS2N1A	XAFD60J	0.99	0.94	1.1
JMET18DS2N1A	XAHD60H	0.97	0.93	1.1
JMET18DS2N1A	XAHD60H	0.97	0.93	1.1
JMET18DS2N1A	XAHD60J	0.95	0.94	1.11
JMET18DS2N1A	XAHD60J	0.95	0.94	1.11
JMET18DS2N1A	XAUD60H	1.00	0.95	1.11
JMVT16CC2N1A	XAFC60H	0.99	0.95	1.09
JMVT16CC2N1A	XAFC60H	0.99	0.95	1.09
JMVT16CC2N1A	XAHC60H	0.97	0.93	1.09
JMVT16CC2N1A	XAHC60H	0.97	0.93	1.09
JMVT17CC2N1A	XAFC60H	0.99	0.95	1.12
JMVT17CC2N1A	XAFC60H	0.99	0.95	1.12
JMVT17CC2N1A	XAHC60H	0.97	0.93	1.1
JMVT17CC2N1A	XAHC60H	0.97	0.93	1.1
JMVT20DC2N1A	XAFD60H	1.00	0.95	1.11
JMVT20DC2N1A	XAFD60H	1.00	0.95	1.11
JMVT20DC2N1A	XAFD60J	0.97	0.96	1.1
JMVT20DC2N1A	XAFD60J	0.97	0.96	1.1
JMVT20DC2N1A	XAHD60H	0.98	0.93	1.08
JMVT20DC2N1A	XAHD60H	0.98	0.93	1.08
JMVT20DC2N1A	XAHD60J	0.98	0.93	1.09
JMVT20DC2N1A	XAHD60J	0.98	0.93	1.09
JMVT20DC2N1A	XAUD60H	1.00	0.95	1.11
ME12CN21	XAFC60H	1.01	0.97	1.07
ME12CN21	XAFC60H	1.01	0.97	1.07
ME12CN21	XAHC60H	0.99	0.95	1.07
ME12CN21	XAHC60H	0.99	0.95	1.07
ME14DN21	CF64D	0.99	0.94	1.09
ME14DN21	CM64D	0.99	0.94	1.09
ME14DN21	XAFD60J	0.98	0.97	1.08
ME14DN21	XAFD60J	0.98	0.97	1.08
ME14DN21	XAHD60J	0.96	0.95	1.09
ME14DN21	XAHD60J	0.96	0.95	1.09
ME16CN21	XAFC60H	0.99	0.94	1.11
ME16CN21	XAFC60H	0.99	0.94	1.11
ME16CN21	XAHC60H	0.97	0.93	1.12
ME16CN21	XAHC60H	0.97	0.93	1.12
MVC12CN21	XAFC60H	1.00	0.95	1.07
MVC12CN21	XAFC60H	1.00	0.95	1.07
MVC12CN21	XAHC60H	0.98	0.94	1.06
MVC12CN21	XAHC60H	0.98	0.94	1.06
MVC14DN21	CF64D	0.99	0.95	1.07
MVC14DN21	CM64D	0.99	0.95	1.07
MVC14DN21	XAFD60J	0.98	0.97	1.07
MVC14DN21	XAFD60J	0.98	0.97	1.07
MVC14DN21	XAHD60J	0.96	0.95	1.07
MVC14DN21	XAHD60J	0.96	0.95	1.07
MVC16CN21	XAFC60H	1.00	0.96	1.08
MVC16CN21	XAFC60H	1.00	0.96	1.08
MVC16CN21	XAHC60H	0.97	0.93	1.1
MVC16CN21	XAHC60H	0.97	0.93	1.1



**Table 33: Cool multiplier air handler - 4 ton**

Air handler model	Indoor coil model	Total capacity	Sensible capacity	kW
MVC20DN21	CF64D	0.99	0.95	1.12
MVC20DN21	CM64D	0.99	0.95	1.12

## Cool multiplier furnace - 4 ton

**Table 34: Cool multiplier furnace - 4 ton**

Furnace model	Indoor coil model	Total capacity	Sensible capacity	kW
TL8E080C16UH11	CF64D	0.98	0.93	1.13
TL8E080C16UH11	CM64D	0.98	0.93	1.13
TL8E080C16UH11	XAFC60H	0.99	0.95	1.09
TL8E080C16UH11	XAFC60H	0.99	0.95	1.09
TL8E080C16UH11	XAFD60H	0.98	0.93	1.14
TL8E080C16UH11	XAFD60H	0.98	0.93	1.14
TL8E080C16UH11	XAFD60J	0.97	0.96	1.13
TL8E080C16UH11	XAFD60J	0.97	0.96	1.13
TL8E080C16UH11	XAHC60H	0.98	0.93	1.1
TL8E080C16UH11	XAHC60H	0.98	0.93	1.1
TL8E080C16UH11	XAHD60H	0.96	0.91	1.14
TL8E080C16UH11	XAHD60H	0.96	0.91	1.14
TL8E080C16UH11	XAHD60J	0.94	0.93	1.12
TL8E080C16UH11	XAHD60J	0.94	0.93	1.12
TL8E080C16UH11	XAUD60H	0.98	0.93	1.14
TL8E100C20UH11	CF64D	0.98	0.94	1.12
TL8E100C20UH11	CM64D	0.98	0.94	1.12
TL8E100C20UH11	XAFC60H	0.99	0.94	1.11
TL8E100C20UH11	XAFC60H	0.99	0.94	1.11
TL8E100C20UH11	XAFD60H	0.99	0.94	1.12
TL8E100C20UH11	XAFD60H	0.99	0.94	1.12
TL8E100C20UH11	XAFD60J	0.97	0.96	1.12
TL8E100C20UH11	XAFD60J	0.97	0.96	1.12
TL8E100C20UH11	XAHC60H	0.97	0.93	1.12
TL8E100C20UH11	XAHC60H	0.97	0.93	1.12
TL8E100C20UH11	XAHD60H	0.97	0.92	1.12
TL8E100C20UH11	XAHD60H	0.97	0.92	1.12
TL8E100C20UH11	XAHD60J	0.95	0.93	1.11
TL8E100C20UH11	XAHD60J	0.95	0.93	1.11
TL8E100C20UH11	XAUD60H	0.99	0.94	1.12
TL9E080C16UH11	CF64D	0.99	0.94	1.12
TL9E080C16UH11	CM64D	0.99	0.94	1.12
TL9E080C16UH11	XAFC60H	0.99	0.94	1.1
TL9E080C16UH11	XAFC60H	0.99	0.94	1.1
TL9E080C16UH11	XAFD60H	0.98	0.92	1.15
TL9E080C16UH11	XAFD60H	0.98	0.92	1.15
TL9E080C16UH11	XAFD60J	0.97	0.95	1.1
TL9E080C16UH11	XAFD60J	0.97	0.95	1.1
TL9E080C16UH11	XAHC60H	0.97	0.93	1.11
TL9E080C16UH11	XAHC60H	0.97	0.93	1.11
TL9E080C16UH11	XAHD60H	0.97	0.92	1.12
TL9E080C16UH11	XAHD60H	0.97	0.92	1.12
TL9E080C16UH11	XAHD60J	0.95	0.94	1.11
TL9E080C16UH11	XAHD60J	0.95	0.94	1.11
TL9E080C16UH11	XAUD60H	0.98	0.92	1.15
TL9E100C20UH11	XAFC60H	0.99	0.94	1.13

**Table 34: Cool multiplier furnace - 4 ton**

Furnace model	Indoor coil model	Total capacity	Sensible capacity	kW
TL9E100C20UH11	XAFC60H	0.99	0.94	1.13
TL9E100C20UH11	XAFD60H	0.99	0.94	1.13
TL9E100C20UH11	XAFD60H	0.99	0.94	1.13
TL9E100C20UH11	XAFD60J	0.97	0.95	1.13
TL9E100C20UH11	XAFD60J	0.97	0.95	1.13
TL9E100C20UH11	XAHC60H	0.96	0.92	1.13
TL9E100C20UH11	XAHC60H	0.96	0.92	1.13
TL9E100C20UH11	XAHD60H	0.97	0.92	1.13
TL9E100C20UH11	XAHD60H	0.97	0.92	1.13
TL9E100C20UH11	XAHD60J	0.95	0.94	1.13
TL9E100C20UH11	XAHD60J	0.95	0.94	1.13
TL9E100C20UH11	XAUD60H	0.99	0.94	1.13
TM8E080B12MP11	XAFC60H	0.98	0.94	1.12
TM8E080B12MP11	XAFC60H	0.98	0.94	1.12
TM8E080B12MP11	XAHC60H	0.96	0.92	1.11
TM8E080B12MP11	XAHC60H	0.96	0.92	1.11
TM8E080C16MP11	CF64D	0.98	0.93	1.13
TM8E080C16MP11	CM64D	0.98	0.93	1.13
TM8E080C16MP11	XAFC60H	0.98	0.93	1.12
TM8E080C16MP11	XAFC60H	0.98	0.93	1.12
TM8E080C16MP11	XAFD60H	0.99	0.94	1.14
TM8E080C16MP11	XAFD60H	0.99	0.94	1.14
TM8E080C16MP11	XAFD60J	0.97	0.95	1.13
TM8E080C16MP11	XAFD60J	0.97	0.95	1.13
TM8E080C16MP11	XAHC60H	0.97	0.92	1.14
TM8E080C16MP11	XAHC60H	0.97	0.92	1.14
TM8E080C16MP11	XAHD60H	0.97	0.92	1.14
TM8E080C16MP11	XAHD60H	0.97	0.92	1.14
TM8E080C16MP11	XAHD60J	0.95	0.94	1.13
TM8E080C16MP11	XAHD60J	0.95	0.94	1.13
TM8E080C16MP11	XAUD60H	0.99	0.94	1.14
TM8E080C20MP11	XAFC60H	0.99	0.95	1.12
TM8E080C20MP11	XAFC60H	0.99	0.95	1.12
TM8E080C20MP11	XAFD60H	0.98	0.93	1.15
TM8E080C20MP11	XAFD60H	0.98	0.93	1.15
TM8E080C20MP11	XAFD60J	0.96	0.95	1.11
TM8E080C20MP11	XAFD60J	0.96	0.95	1.11
TM8E080C20MP11	XAHC60H	0.97	0.92	1.11
TM8E080C20MP11	XAHC60H	0.97	0.92	1.11
TM8E080C20MP11	XAHD60H	0.97	0.93	1.12
TM8E080C20MP11	XAHD60H	0.97	0.93	1.12
TM8E080C20MP11	XAHD60J	0.94	0.93	1.11
TM8E080C20MP11	XAHD60J	0.94	0.93	1.11
TM8E080C20MP11	XAUD60H	0.98	0.93	1.15
TM8E100C16MP11	CF64D	0.98	0.93	1.13
TM8E100C16MP11	CM64D	0.98	0.93	1.13
TM8E100C16MP11	XAFC60H	0.98	0.93	1.12
TM8E100C16MP11	XAFC60H	0.98	0.93	1.12
TM8E100C16MP11	XAFD60H	0.99	0.94	1.14
TM8E100C16MP11	XAFD60H	0.99	0.94	1.14
TM8E100C16MP11	XAFD60J	0.97	0.95	1.13
TM8E100C16MP11	XAFD60J	0.97	0.95	1.13
TM8E100C16MP11	XAHC60H	0.97	0.92	1.14

**Table 34: Cool multiplier furnace - 4 ton**

Furnace model	Indoor coil model	Total capacity	Sensible capacity	kW
TM8E100C16MP11	XAHC60H	0.97	0.92	1.14
TM8E100C16MP11	XAHD60H	0.97	0.92	1.14
TM8E100C16MP11	XAHD60H	0.97	0.92	1.14
TM8E100C16MP11	XAHD60J	0.95	0.94	1.13
TM8E100C16MP11	XAHD60J	0.95	0.94	1.13
TM8E100C16MP11	XAUD60H	0.99	0.94	1.14
TM8E100C20MP11	XAFC60H	0.99	0.94	1.1
TM8E100C20MP11	XAFC60H	0.99	0.94	1.1
TM8E100C20MP11	XAFD60H	0.98	0.93	1.16
TM8E100C20MP11	XAFD60H	0.98	0.93	1.16
TM8E100C20MP11	XAFD60J	0.97	0.95	1.11
TM8E100C20MP11	XAFD60J	0.97	0.95	1.11
TM8E100C20MP11	XAHC60H	0.98	0.93	1.11
TM8E100C20MP11	XAHC60H	0.98	0.93	1.11
TM8E100C20MP11	XAHD60H	0.97	0.93	1.11
TM8E100C20MP11	XAHD60H	0.97	0.93	1.11
TM8E100C20MP11	XAHD60J	0.93	0.92	1.15
TM8E100C20MP11	XAHD60J	0.93	0.92	1.15
TM8E100C20MP11	XAUD60H	0.98	0.93	1.16
TM8E120C16MP11	CF64D	0.98	0.93	1.13
TM8E120C16MP11	CM64D	0.98	0.93	1.13
TM8E120C16MP11	XAFC60H	0.99	0.94	1.14
TM8E120C16MP11	XAFC60H	0.99	0.94	1.14
TM8E120C16MP11	XAFD60H	0.99	0.94	1.14
TM8E120C16MP11	XAFD60H	0.99	0.94	1.14
TM8E120C16MP11	XAFD60J	0.97	0.95	1.12
TM8E120C16MP11	XAFD60J	0.97	0.95	1.12
TM8E120C16MP11	XAHC60H	0.96	0.91	1.13
TM8E120C16MP11	XAHC60H	0.96	0.91	1.13
TM8E120C16MP11	XAHD60H	0.97	0.92	1.14
TM8E120C16MP11	XAHD60H	0.97	0.92	1.14
TM8E120C16MP11	XAHD60J	0.95	0.93	1.13
TM8E120C16MP11	XAHD60J	0.95	0.93	1.13
TM8E120C16MP11	XAUD60H	0.99	0.94	1.14
TM8E120C20MP11	XAFC60H	0.99	0.94	1.1
TM8E120C20MP11	XAFC60H	0.99	0.94	1.1
TM8E120C20MP11	XAFD60H	0.99	0.94	1.1
TM8E120C20MP11	XAFD60H	0.99	0.94	1.1
TM8E120C20MP11	XAFD60J	0.97	0.96	1.1
TM8E120C20MP11	XAFD60J	0.97	0.96	1.1
TM8E120C20MP11	XAHC60H	0.98	0.93	1.11
TM8E120C20MP11	XAHC60H	0.98	0.93	1.11
TM8E120C20MP11	XAHD60H	0.97	0.93	1.1
TM8E120C20MP11	XAHD60H	0.97	0.93	1.1
TM8E120C20MP11	XAHD60J	0.95	0.94	1.11
TM8E120C20MP11	XAHD60J	0.95	0.94	1.11
TM8E120C20MP11	XAUD60H	0.99	0.94	1.1
TM8E130D20MP11	XAFD60H	0.98	0.94	1.12
TM8E130D20MP11	XAFD60H	0.98	0.94	1.12
TM8E130D20MP11	XAFD60J	0.96	0.95	1.12
TM8E130D20MP11	XAFD60J	0.96	0.95	1.12
TM8E130D20MP11	XAHD60H	0.96	0.92	1.12
TM8E130D20MP11	XAHD60H	0.96	0.92	1.12

**Table 34: Cool multiplier furnace - 4 ton**

Furnace model	Indoor coil model	Total capacity	Sensible capacity	kW
TM8E130D20MP11	XAHD60J	0.95	0.94	1.13
TM8E130D20MP11	XAHD60J	0.95	0.94	1.13
TM8E130D20MP11	XAUD60H	0.98	0.94	1.12
TM8V080C16MP12C	CF64D	0.98	0.94	1.1
TM8V080C16MP12C	CM64D	0.98	0.94	1.1
TM8V080C16MP12C	XAFC60H	0.99	0.95	1.12
TM8V080C16MP12C	XAFC60H	0.99	0.95	1.12
TM8V080C16MP12C	XAFD60H	0.98	0.93	1.13
TM8V080C16MP12C	XAFD60H	0.98	0.93	1.13
TM8V080C16MP12C	XAFD60J	0.97	0.96	1.1
TM8V080C16MP12C	XAFD60J	0.97	0.96	1.1
TM8V080C16MP12C	XAHC60H	0.97	0.92	1.12
TM8V080C16MP12C	XAHC60H	0.97	0.92	1.12
TM8V080C16MP12C	XAHD60H	0.97	0.92	1.13
TM8V080C16MP12C	XAHD60H	0.97	0.92	1.13
TM8V080C16MP12C	XAHD60J	0.95	0.94	1.11
TM8V080C16MP12C	XAHD60J	0.95	0.94	1.11
TM8V080C16MP12C	XAUD60H	0.98	0.93	1.13
TM8V100C16MP12C	CF64D	0.98	0.94	1.1
TM8V100C16MP12C	CM64D	0.98	0.94	1.1
TM8V100C16MP12C	XAFC60H	0.99	0.95	1.12
TM8V100C16MP12C	XAFC60H	0.99	0.95	1.12
TM8V100C16MP12C	XAFD60H	0.98	0.93	1.13
TM8V100C16MP12C	XAFD60H	0.98	0.93	1.13
TM8V100C16MP12C	XAFD60J	0.97	0.96	1.1
TM8V100C16MP12C	XAFD60J	0.97	0.96	1.1
TM8V100C16MP12C	XAHC60H	0.97	0.92	1.12
TM8V100C16MP12C	XAHC60H	0.97	0.92	1.12
TM8V100C16MP12C	XAHD60H	0.97	0.92	1.13
TM8V100C16MP12C	XAHD60H	0.97	0.92	1.13
TM8V100C16MP12C	XAHD60J	0.95	0.94	1.11
TM8V100C16MP12C	XAHD60J	0.95	0.94	1.11
TM8V100C16MP12C	XAUD60H	0.98	0.93	1.13
TM8V100C20MP12C	CF64D	0.99	0.94	1.12
TM8V100C20MP12C	CM64D	0.99	0.94	1.12
TM8V100C20MP12C	XAFC60H	1.00	0.95	1.09
TM8V100C20MP12C	XAFC60H	1.00	0.95	1.09
TM8V100C20MP12C	XAFD60H	0.97	0.92	1.18
TM8V100C20MP12C	XAFD60H	0.97	0.92	1.18
TM8V100C20MP12C	XAFD60J	0.97	0.96	1.11
TM8V100C20MP12C	XAFD60J	0.97	0.96	1.11
TM8V100C20MP12C	XAHC60H	0.98	0.93	1.11
TM8V100C20MP12C	XAHC60H	0.98	0.93	1.11
TM8V100C20MP12C	XAHD60H	0.95	0.9	1.18
TM8V100C20MP12C	XAHD60H	0.95	0.9	1.18
TM8V100C20MP12C	XAHD60J	0.93	0.91	1.18
TM8V100C20MP12C	XAHD60J	0.93	0.91	1.18
TM8V100C20MP12C	XAUD60H	0.97	0.92	1.18
TM8V120C20MP12C	CF64D	0.99	0.94	1.12
TM8V120C20MP12C	CM64D	0.99	0.94	1.12
TM8V120C20MP12C	XAFC60H	1.00	0.95	1.09
TM8V120C20MP12C	XAFC60H	1.00	0.95	1.09
TM8V120C20MP12C	XAFD60J	0.97	0.96	1.11

**Table 34: Cool multiplier furnace - 4 ton**

Furnace model	Indoor coil model	Total capacity	Sensible capacity	kW
TM8V120C20MP12C	XAFD60J	0.97	0.96	1.11
TM8V120C20MP12C	XAHC60H	0.97	0.93	1.12
TM8V120C20MP12C	XAHC60H	0.97	0.93	1.12
TM8V120C20MP12C	XAHD60J	0.95	0.94	1.09
TM8V120C20MP12C	XAHD60J	0.95	0.94	1.09
TM8Y080C16MP11	CF64D	0.98	0.94	1.14
TM8Y080C16MP11	CM64D	0.98	0.94	1.14
TM8Y080C16MP11	XAFC60H	0.98	0.94	1.12
TM8Y080C16MP11	XAFC60H	0.98	0.94	1.12
TM8Y080C16MP11	XAFD60H	0.98	0.93	1.13
TM8Y080C16MP11	XAFD60H	0.98	0.93	1.13
TM8Y080C16MP11	XAFD60J	0.97	0.96	1.12
TM8Y080C16MP11	XAFD60J	0.97	0.96	1.12
TM8Y080C16MP11	XAHC60H	0.98	0.94	1.09
TM8Y080C16MP11	XAHC60H	0.98	0.94	1.09
TM8Y080C16MP11	XAHD60H	0.96	0.91	1.12
TM8Y080C16MP11	XAHD60H	0.96	0.91	1.12
TM8Y080C16MP11	XAHD60J	0.94	0.93	1.12
TM8Y080C16MP11	XAHD60J	0.94	0.93	1.12
TM8Y080C16MP11	XAUD60H	0.98	0.93	1.13
TM8Y100C16MP11	XAFC60H	0.98	0.94	1.12
TM8Y100C16MP11	XAFC60H	0.98	0.94	1.12
TM8Y100C16MP11	XAFD60H	0.98	0.93	1.13
TM8Y100C16MP11	XAFD60H	0.98	0.93	1.13
TM8Y100C16MP11	XAFD60J	0.97	0.96	1.12
TM8Y100C16MP11	XAFD60J	0.97	0.96	1.12
TM8Y100C16MP11	XAHC60H	0.97	0.92	1.13
TM8Y100C16MP11	XAHC60H	0.97	0.92	1.13
TM8Y100C16MP11	XAHD60H	0.96	0.91	1.12
TM8Y100C16MP11	XAHD60H	0.96	0.91	1.12
TM8Y100C16MP11	XAHD60J	0.94	0.93	1.12
TM8Y100C16MP11	XAHD60J	0.94	0.93	1.12
TM8Y100C16MP11	XAUD60H	0.98	0.93	1.13
TM8Y100C20MP11	CF64D	0.99	0.94	1.12
TM8Y100C20MP11	CM64D	0.99	0.94	1.12
TM8Y100C20MP11	XAFC60H	0.99	0.94	1.11
TM8Y100C20MP11	XAFC60H	0.99	0.94	1.11
TM8Y100C20MP11	XAFD60H	0.99	0.94	1.11
TM8Y100C20MP11	XAFD60H	0.99	0.94	1.11
TM8Y100C20MP11	XAFD60J	0.97	0.96	1.1
TM8Y100C20MP11	XAFD60J	0.97	0.96	1.1
TM8Y100C20MP11	XAHC60H	0.97	0.92	1.11
TM8Y100C20MP11	XAHC60H	0.97	0.92	1.11
TM8Y100C20MP11	XAHD60H	0.97	0.92	1.11
TM8Y100C20MP11	XAHD60H	0.97	0.92	1.11
TM8Y100C20MP11	XAHD60J	0.95	0.94	1.11
TM8Y100C20MP11	XAHD60J	0.95	0.94	1.11
TM8Y100C20MP11	XAUD60H	0.99	0.94	1.11
TM8Y120C20MP11	CF64D	0.99	0.94	1.12
TM8Y120C20MP11	CM64D	0.99	0.94	1.12
TM8Y120C20MP11	XAFC60H	0.99	0.95	1.11
TM8Y120C20MP11	XAFC60H	0.99	0.95	1.11
TM8Y120C20MP11	XAFD60H	0.99	0.94	1.11

**Table 34: Cool multiplier furnace - 4 ton**

Furnace model	Indoor coil model	Total capacity	Sensible capacity	kW
TM8Y120C20MP11	XAFD60H	0.99	0.94	1.11
TM8Y120C20MP11	XAFD60J	0.97	0.96	1.1
TM8Y120C20MP11	XAFD60J	0.97	0.96	1.1
TM8Y120C20MP11	XAHC60H	0.97	0.92	1.11
TM8Y120C20MP11	XAHC60H	0.97	0.92	1.11
TM8Y120C20MP11	XAHD60H	0.97	0.92	1.11
TM8Y120C20MP11	XAHD60H	0.97	0.92	1.11
TM8Y120C20MP11	XAHD60J	0.95	0.94	1.11
TM8Y120C20MP11	XAHD60J	0.95	0.94	1.11
TM8Y120C20MP11	XAUD60H	0.99	0.94	1.11
TM9E060B12MP12	XAHC60H	0.97	0.93	1.12
TM9E060B12MP12	XAHC60H	0.97	0.93	1.12
TM9E080B12MP12	XAFC60H	0.99	0.94	1.11
TM9E080B12MP12	XAFC60H	0.99	0.94	1.11
TM9E080B12MP12	XAHC60H	0.96	0.92	1.11
TM9E080B12MP12	XAHC60H	0.96	0.92	1.11
TM9E080C16MP12	CF64D	0.98	0.93	1.16
TM9E080C16MP12	CM64D	0.98	0.93	1.16
TM9E080C16MP12	XAFC60H	0.98	0.93	1.14
TM9E080C16MP12	XAFC60H	0.98	0.93	1.14
TM9E080C16MP12	XAFD60H	0.98	0.93	1.14
TM9E080C16MP12	XAFD60H	0.98	0.93	1.14
TM9E080C16MP12	XAFD60J	0.96	0.95	1.14
TM9E080C16MP12	XAFD60J	0.96	0.95	1.14
TM9E080C16MP12	XAHC60H	0.96	0.91	1.14
TM9E080C16MP12	XAHC60H	0.96	0.91	1.14
TM9E080C16MP12	XAHD60H	0.96	0.91	1.14
TM9E080C16MP12	XAHD60H	0.96	0.91	1.14
TM9E080C16MP12	XAHD60J	0.94	0.93	1.14
TM9E080C16MP12	XAHD60J	0.94	0.93	1.14
TM9E080C16MP12	XAUD60H	0.98	0.93	1.14
TM9E080C20MP12	XAFC60H	0.98	0.93	1.16
TM9E080C20MP12	XAFC60H	0.98	0.93	1.16
TM9E080C20MP12	XAFD60H	0.98	0.93	1.16
TM9E080C20MP12	XAFD60H	0.98	0.93	1.16
TM9E080C20MP12	XAFD60J	0.96	0.95	1.16
TM9E080C20MP12	XAFD60J	0.96	0.95	1.16
TM9E080C20MP12	XAHC60H	0.98	0.93	1.11
TM9E080C20MP12	XAHC60H	0.98	0.93	1.11
TM9E080C20MP12	XAHD60H	0.97	0.93	1.11
TM9E080C20MP12	XAHD60H	0.97	0.93	1.11
TM9E080C20MP12	XAHD60J	0.94	0.93	1.16
TM9E080C20MP12	XAHD60J	0.94	0.93	1.16
TM9E080C20MP12	XAUD60H	0.98	0.93	1.16
TM9E100C16MP12	CF64D	0.97	0.92	1.14
TM9E100C16MP12	CM64D	0.97	0.92	1.14
TM9E100C16MP12	XAFC60H	0.98	0.94	1.16
TM9E100C16MP12	XAFC60H	0.98	0.94	1.16
TM9E100C16MP12	XAFD60H	0.98	0.94	1.16
TM9E100C16MP12	XAFD60H	0.98	0.94	1.16
TM9E100C16MP12	XAFD60J	0.95	0.94	1.15
TM9E100C16MP12	XAFD60J	0.95	0.94	1.15
TM9E100C16MP12	XAHC60H	0.96	0.92	1.16

**Table 34: Cool multiplier furnace - 4 ton**

Furnace model	Indoor coil model	Total capacity	Sensible capacity	kW
TM9E100C16MP12	XAHC60H	0.96	0.92	1.16
TM9E100C16MP12	XAHD60H	0.95	0.9	1.15
TM9E100C16MP12	XAHD60H	0.95	0.9	1.15
TM9E100C16MP12	XAHD60J	0.94	0.92	1.15
TM9E100C16MP12	XAHD60J	0.94	0.92	1.15
TM9E100C16MP12	XAUD60H	0.98	0.94	1.16
TM9E100C20MP12	XAFC60H	0.98	0.93	1.15
TM9E100C20MP12	XAFC60H	0.98	0.93	1.15
TM9E100C20MP12	XAFD60H	0.99	0.93	1.15
TM9E100C20MP12	XAFD60H	0.99	0.93	1.15
TM9E100C20MP12	XAFD60J	0.96	0.95	1.15
TM9E100C20MP12	XAFD60J	0.96	0.95	1.15
TM9E100C20MP12	XAHC60H	0.98	0.93	1.11
TM9E100C20MP12	XAHC60H	0.98	0.93	1.11
TM9E100C20MP12	XAHD60H	0.97	0.92	1.16
TM9E100C20MP12	XAHD60H	0.97	0.92	1.16
TM9E100C20MP12	XAHD60J	0.94	0.92	1.14
TM9E100C20MP12	XAHD60J	0.94	0.92	1.14
TM9E100C20MP12	XAUD60H	0.99	0.93	1.15
TM9E120D20MP12	XAFD60H	0.99	0.94	1.14
TM9E120D20MP12	XAFD60H	0.99	0.94	1.14
TM9E120D20MP12	XAFD60J	0.95	0.94	1.15
TM9E120D20MP12	XAFD60J	0.95	0.94	1.15
TM9E120D20MP12	XAHD60H	0.95	0.9	1.16
TM9E120D20MP12	XAHD60H	0.95	0.9	1.16
TM9E120D20MP12	XAHD60J	0.94	0.92	1.13
TM9E120D20MP12	XAHD60J	0.94	0.92	1.13
TM9E120D20MP12	XAUD60H	0.99	0.94	1.14
TM9V060B12MP12C	XAHC60H	0.96	0.91	1.12
TM9V060B12MP12C	XAHC60H	0.96	0.91	1.12
TM9V080B12MP12C	XAFC60H	0.99	0.95	1.12
TM9V080B12MP12C	XAFC60H	0.99	0.95	1.12
TM9V080B12MP12C	XAHC60H	0.97	0.93	1.11
TM9V080B12MP12C	XAHC60H	0.97	0.93	1.11
TM9V080C16MP12C	CF64D	0.97	0.92	1.13
TM9V080C16MP12C	CM64D	0.97	0.92	1.13
TM9V080C16MP12C	XAFC60H	0.98	0.93	1.15
TM9V080C16MP12C	XAFC60H	0.98	0.93	1.15
TM9V080C16MP12C	XAFD60H	0.98	0.92	1.16
TM9V080C16MP12C	XAFD60H	0.98	0.92	1.16
TM9V080C16MP12C	XAFD60J	0.97	0.95	1.13
TM9V080C16MP12C	XAFD60J	0.97	0.95	1.13
TM9V080C16MP12C	XAHC60H	0.96	0.9	1.14
TM9V080C16MP12C	XAHC60H	0.96	0.9	1.14
TM9V080C16MP12C	XAHD60H	0.96	0.9	1.16
TM9V080C16MP12C	XAHD60H	0.96	0.9	1.16
TM9V080C16MP12C	XAHD60J	0.95	0.94	1.13
TM9V080C16MP12C	XAHD60J	0.95	0.94	1.13
TM9V080C16MP12C	XAUD60H	0.98	0.92	1.16
TM9V100C16MP12C	CF64D	0.97	0.92	1.13
TM9V100C16MP12C	CM64D	0.97	0.92	1.13
TM9V100C16MP12C	XAFC60H	0.98	0.93	1.16
TM9V100C16MP12C	XAFC60H	0.98	0.93	1.16

**Table 34: Cool multiplier furnace - 4 ton**

Furnace model	Indoor coil model	Total capacity	Sensible capacity	kW
TM9V100C16MP12C	XAFD60H	0.98	0.93	1.15
TM9V100C16MP12C	XAFD60H	0.98	0.93	1.15
TM9V100C16MP12C	XAFD60J	0.96	0.95	1.13
TM9V100C16MP12C	XAFD60J	0.96	0.95	1.13
TM9V100C16MP12C	XAHC60H	0.96	0.92	1.13
TM9V100C16MP12C	XAHC60H	0.96	0.92	1.13
TM9V100C16MP12C	XAHD60H	0.96	0.91	1.15
TM9V100C16MP12C	XAHD60H	0.96	0.91	1.15
TM9V100C16MP12C	XAHD60J	0.94	0.93	1.14
TM9V100C16MP12C	XAHD60J	0.94	0.93	1.14
TM9V100C16MP12C	XAUD60H	0.98	0.93	1.15
TM9V100C20MP12C	CF64D	0.98	0.93	1.14
TM9V100C20MP12C	CM64D	0.98	0.93	1.14
TM9V100C20MP12C	XAFC60H	0.98	0.92	1.16
TM9V100C20MP12C	XAFC60H	0.98	0.92	1.16
TM9V100C20MP12C	XAFD60H	0.97	0.93	1.14
TM9V100C20MP12C	XAFD60H	0.97	0.93	1.14
TM9V100C20MP12C	XAFD60J	0.96	0.95	1.13
TM9V100C20MP12C	XAFD60J	0.96	0.95	1.13
TM9V100C20MP12C	XAHC60H	0.96	0.91	1.16
TM9V100C20MP12C	XAHC60H	0.96	0.91	1.16
TM9V100C20MP12C	XAHD60H	0.95	0.9	1.17
TM9V100C20MP12C	XAHD60H	0.95	0.9	1.17
TM9V100C20MP12C	XAHD60J	0.94	0.93	1.13
TM9V100C20MP12C	XAHD60J	0.94	0.93	1.13
TM9V100C20MP12C	XAUD60H	0.97	0.93	1.14
TM9V120D20MP12C	CF64D	0.98	0.93	1.13
TM9V120D20MP12C	CM64D	0.98	0.93	1.13
TM9V120D20MP12C	XAFD60H	0.99	0.94	1.13
TM9V120D20MP12C	XAFD60H	0.99	0.94	1.13
TM9V120D20MP12C	XAFD60J	0.97	0.96	1.13
TM9V120D20MP12C	XAFD60J	0.97	0.96	1.13
TM9V120D20MP12C	XAHD60H	0.97	0.92	1.12
TM9V120D20MP12C	XAHD60H	0.97	0.92	1.12
TM9V120D20MP12C	XAHD60J	0.95	0.94	1.13
TM9V120D20MP12C	XAHD60J	0.95	0.94	1.13
TM9V120D20MP12C	XAUD60H	0.99	0.94	1.13
TM9Y080B12MP11	XAFC60H	0.99	0.94	1.12
TM9Y080B12MP11	XAFC60H	0.99	0.94	1.12
TM9Y080B12MP11	XAHC60H	0.97	0.92	1.12
TM9Y080B12MP11	XAHC60H	0.97	0.92	1.12
TM9Y080C16MP11	CF64D	0.98	0.93	1.11
TM9Y080C16MP11	CM64D	0.98	0.93	1.11
TM9Y080C16MP11	XAFC60H	0.99	0.95	1.12
TM9Y080C16MP11	XAFC60H	0.99	0.95	1.12
TM9Y080C16MP11	XAFD60H	0.98	0.94	1.11
TM9Y080C16MP11	XAFD60H	0.98	0.94	1.11
TM9Y080C16MP11	XAFD60J	0.97	0.96	1.11
TM9Y080C16MP11	XAFD60J	0.97	0.96	1.11
TM9Y080C16MP11	XAHC60H	0.96	0.92	1.11
TM9Y080C16MP11	XAHC60H	0.96	0.92	1.11
TM9Y080C16MP11	XAHD60H	0.96	0.92	1.11
TM9Y080C16MP11	XAHD60H	0.96	0.92	1.11



**Table 34: Cool multiplier furnace - 4 ton**

Furnace model	Indoor coil model	Total capacity	Sensible capacity	kW
TM9Y080C16MP11	XAHD60J	0.95	0.94	1.11
TM9Y080C16MP11	XAHD60J	0.95	0.94	1.11
TM9Y080C16MP11	XAUD60H	0.98	0.94	1.11
TM9Y100C16MP11	CF64D	0.99	0.94	1.12
TM9Y100C16MP11	CM64D	0.99	0.94	1.12
TM9Y100C16MP11	XAFC60H	0.99	0.94	1.11
TM9Y100C16MP11	XAFC60H	0.99	0.94	1.11
TM9Y100C16MP11	XAFD60H	0.98	0.94	1.11
TM9Y100C16MP11	XAFD60H	0.98	0.94	1.11
TM9Y100C16MP11	XAFD60J	0.97	0.95	1.1
TM9Y100C16MP11	XAFD60J	0.97	0.95	1.1
TM9Y100C16MP11	XAHC60H	0.97	0.93	1.11
TM9Y100C16MP11	XAHC60H	0.97	0.93	1.11
TM9Y100C16MP11	XAHD60H	0.96	0.92	1.11
TM9Y100C16MP11	XAHD60H	0.96	0.92	1.11
TM9Y100C16MP11	XAHD60J	0.95	0.94	1.11
TM9Y100C16MP11	XAHD60J	0.95	0.94	1.11
TM9Y100C16MP11	XAUD60H	0.98	0.94	1.11
TM9Y100C20MP11	XAFC60H	0.99	0.94	1.13
TM9Y100C20MP11	XAFC60H	0.99	0.94	1.13
TM9Y100C20MP11	XAFD60H	0.98	0.92	1.17
TM9Y100C20MP11	XAFD60H	0.98	0.92	1.17
TM9Y100C20MP11	XAFD60J	0.95	0.93	1.16
TM9Y100C20MP11	XAFD60J	0.95	0.93	1.16
TM9Y100C20MP11	XAHC60H	0.95	0.9	1.17
TM9Y100C20MP11	XAHC60H	0.95	0.9	1.17
TM9Y100C20MP11	XAHD60H	0.95	0.9	1.16
TM9Y100C20MP11	XAHD60H	0.95	0.9	1.16
TM9Y100C20MP11	XAHD60J	0.93	0.91	1.16
TM9Y100C20MP11	XAHD60J	0.93	0.91	1.16
TM9Y100C20MP11	XAUD60H	0.98	0.92	1.17
TM9Y120D20MP11	CF64D	0.99	0.94	1.13
TM9Y120D20MP11	CM64D	0.99	0.94	1.13
TM9Y120D20MP11	XAFD60H	0.98	0.93	1.13
TM9Y120D20MP11	XAFD60H	0.98	0.93	1.13
TM9Y120D20MP11	XAFD60J	0.97	0.95	1.11
TM9Y120D20MP11	XAFD60J	0.97	0.95	1.11
TM9Y120D20MP11	XAHD60H	0.96	0.91	1.12
TM9Y120D20MP11	XAHD60H	0.96	0.91	1.12
TM9Y120D20MP11	XAHD60J	0.95	0.94	1.12
TM9Y120D20MP11	XAHD60J	0.95	0.94	1.12
TM9Y120D20MP11	XAUD60H	0.98	0.93	1.13
TMLE080B12MP11	XAFC60H	0.98	0.94	1.12
TMLE080B12MP11	XAFC60H	0.98	0.94	1.12
TMLE080B12MP11	XAHC60H	0.96	0.92	1.11
TMLE080B12MP11	XAHC60H	0.96	0.92	1.11
TMLE080C16MP11	CF64D	0.98	0.93	1.13
TMLE080C16MP11	CM64D	0.98	0.93	1.13
TMLE080C16MP11	XAFC60H	0.98	0.93	1.12
TMLE080C16MP11	XAFC60H	0.98	0.93	1.12
TMLE080C16MP11	XAFD60H	0.99	0.94	1.14
TMLE080C16MP11	XAFD60H	0.99	0.94	1.14
TMLE080C16MP11	XAFD60J	0.97	0.95	1.13

**Table 34: Cool multiplier furnace - 4 ton**

Furnace model	Indoor coil model	Total capacity	Sensible capacity	kW
TMLE080C16MP11	XAFD60J	0.97	0.95	1.13
TMLE080C16MP11	XAHC60H	0.97	0.92	1.14
TMLE080C16MP11	XAHC60H	0.97	0.92	1.14
TMLE080C16MP11	XAHD60H	0.97	0.92	1.14
TMLE080C16MP11	XAHD60H	0.97	0.92	1.14
TMLE080C16MP11	XAHD60J	0.95	0.94	1.13
TMLE080C16MP11	XAHD60J	0.95	0.94	1.13
TMLE080C16MP11	XAUD60H	0.99	0.94	1.14
TMLE080C20MP11	XAFC60H	0.99	0.95	1.12
TMLE080C20MP11	XAFC60H	0.99	0.95	1.12
TMLE080C20MP11	XAFD60H	0.98	0.93	1.15
TMLE080C20MP11	XAFD60H	0.98	0.93	1.15
TMLE080C20MP11	XAFD60J	0.96	0.95	1.11
TMLE080C20MP11	XAFD60J	0.96	0.95	1.11
TMLE080C20MP11	XAHC60H	0.97	0.92	1.11
TMLE080C20MP11	XAHC60H	0.97	0.92	1.11
TMLE080C20MP11	XAHD60H	0.97	0.93	1.12
TMLE080C20MP11	XAHD60H	0.97	0.93	1.12
TMLE080C20MP11	XAHD60J	0.94	0.93	1.11
TMLE080C20MP11	XAHD60J	0.94	0.93	1.11
TMLE080C20MP11	XAUD60H	0.98	0.93	1.15
TMLE100C16MP11	CF64D	0.98	0.93	1.13
TMLE100C16MP11	CM64D	0.98	0.93	1.13
TMLE100C16MP11	XAFC60H	0.98	0.93	1.12
TMLE100C16MP11	XAFC60H	0.98	0.93	1.12
TMLE100C16MP11	XAFD60H	0.99	0.94	1.14
TMLE100C16MP11	XAFD60H	0.99	0.94	1.14
TMLE100C16MP11	XAFD60J	0.97	0.95	1.13
TMLE100C16MP11	XAFD60J	0.97	0.95	1.13
TMLE100C16MP11	XAHC60H	0.97	0.92	1.14
TMLE100C16MP11	XAHC60H	0.97	0.92	1.14
TMLE100C16MP11	XAHD60H	0.97	0.92	1.14
TMLE100C16MP11	XAHD60H	0.97	0.92	1.14
TMLE100C16MP11	XAHD60J	0.95	0.94	1.13
TMLE100C16MP11	XAHD60J	0.95	0.94	1.13
TMLE100C16MP11	XAUD60H	0.99	0.94	1.14
TMLE100C20MP11	XAFC60H	0.99	0.94	1.1
TMLE100C20MP11	XAFC60H	0.99	0.94	1.1
TMLE100C20MP11	XAFD60H	0.98	0.93	1.16
TMLE100C20MP11	XAFD60H	0.98	0.93	1.16
TMLE100C20MP11	XAFD60J	0.97	0.95	1.11
TMLE100C20MP11	XAFD60J	0.97	0.95	1.11
TMLE100C20MP11	XAHC60H	0.98	0.93	1.11
TMLE100C20MP11	XAHC60H	0.98	0.93	1.11
TMLE100C20MP11	XAHD60H	0.97	0.93	1.11
TMLE100C20MP11	XAHD60H	0.97	0.93	1.11
TMLE100C20MP11	XAHD60J	0.93	0.92	1.15
TMLE100C20MP11	XAHD60J	0.93	0.92	1.15
TMLE100C20MP11	XAUD60H	0.98	0.93	1.16
TMLE120C16MP11	CF64D	0.98	0.93	1.13
TMLE120C16MP11	CM64D	0.98	0.93	1.13
TMLE120C16MP11	XAFC60H	0.99	0.94	1.14
TMLE120C16MP11	XAFC60H	0.99	0.94	1.14

**Table 34: Cool multiplier furnace - 4 ton**

Furnace model	Indoor coil model	Total capacity	Sensible capacity	kW
TMLE120C16MP11	XAFD60H	0.99	0.94	1.14
TMLE120C16MP11	XAFD60H	0.99	0.94	1.14
TMLE120C16MP11	XAFD60J	0.97	0.95	1.12
TMLE120C16MP11	XAFD60J	0.97	0.95	1.12
TMLE120C16MP11	XAHC60H	0.96	0.91	1.13
TMLE120C16MP11	XAHC60H	0.96	0.91	1.13
TMLE120C16MP11	XAHD60H	0.97	0.92	1.14
TMLE120C16MP11	XAHD60H	0.97	0.92	1.14
TMLE120C16MP11	XAHD60J	0.95	0.93	1.13
TMLE120C16MP11	XAHD60J	0.95	0.93	1.13
TMLE120C16MP11	XAUD60H	0.99	0.94	1.14
TMLE120C20MP11	XAFC60H	0.99	0.94	1.1
TMLE120C20MP11	XAFC60H	0.99	0.94	1.1
TMLE120C20MP11	XAFD60H	0.99	0.94	1.1
TMLE120C20MP11	XAFD60H	0.99	0.94	1.1
TMLE120C20MP11	XAFD60J	0.97	0.96	1.1
TMLE120C20MP11	XAFD60J	0.97	0.96	1.1
TMLE120C20MP11	XAHC60H	0.98	0.93	1.11
TMLE120C20MP11	XAHC60H	0.98	0.93	1.11
TMLE120C20MP11	XAHD60H	0.97	0.93	1.1
TMLE120C20MP11	XAHD60H	0.97	0.93	1.1
TMLE120C20MP11	XAHD60J	0.95	0.94	1.11
TMLE120C20MP11	XAHD60J	0.95	0.94	1.11
TMLE120C20MP11	XAUD60H	0.99	0.94	1.1
TMLE130D20MP11	XAFD60H	0.98	0.94	1.12
TMLE130D20MP11	XAFD60H	0.98	0.94	1.12
TMLE130D20MP11	XAFD60J	0.96	0.95	1.12
TMLE130D20MP11	XAFD60J	0.96	0.95	1.12
TMLE130D20MP11	XAHD60H	0.96	0.92	1.12
TMLE130D20MP11	XAHD60H	0.96	0.92	1.12
TMLE130D20MP11	XAHD60J	0.95	0.94	1.13
TMLE130D20MP11	XAHD60J	0.95	0.94	1.13
TMLE130D20MP11	XAUD60H	0.98	0.94	1.12
TMLV100C16MP12C	CF64D	0.98	0.94	1.1
TMLV100C16MP12C	CM64D	0.98	0.94	1.1
TMLV100C16MP12C	XAFC60H	0.99	0.95	1.12
TMLV100C16MP12C	XAFC60H	0.99	0.95	1.12
TMLV100C16MP12C	XAFD60H	0.98	0.93	1.13
TMLV100C16MP12C	XAFD60H	0.98	0.93	1.13
TMLV100C16MP12C	XAFD60J	0.97	0.96	1.1
TMLV100C16MP12C	XAFD60J	0.97	0.96	1.1
TMLV100C16MP12C	XAHC60H	0.97	0.92	1.12
TMLV100C16MP12C	XAHC60H	0.97	0.92	1.12
TMLV100C16MP12C	XAHD60H	0.97	0.92	1.13
TMLV100C16MP12C	XAHD60H	0.97	0.92	1.13
TMLV100C16MP12C	XAHD60J	0.95	0.94	1.11
TMLV100C16MP12C	XAHD60J	0.95	0.94	1.11
TMLV100C16MP12C	XAUD60H	0.98	0.93	1.13
TMLV120C20MP12C	CF64D	0.99	0.94	1.12
TMLV120C20MP12C	CM64D	0.99	0.94	1.12
TMLV120C20MP12C	XAFC60H	1.00	0.95	1.09
TMLV120C20MP12C	XAFC60H	1.00	0.95	1.09
TMLV120C20MP12C	XAFD60J	0.97	0.96	1.11

**Table 34: Cool multiplier furnace - 4 ton**

Furnace model	Indoor coil model	Total capacity	Sensible capacity	kW
TMLV120C20MP12C	XAFD60J	0.97	0.96	1.11
TMLV120C20MP12C	XAHC60H	0.97	0.93	1.12
TMLV120C20MP12C	XAHC60H	0.97	0.93	1.12
TMLV120C20MP12C	XAHD60J	0.95	0.94	1.09
TMLV120C20MP12C	XAHD60J	0.95	0.94	1.09
TP9C060B12MP13C	XAHC60H	0.96	0.91	1.12
TP9C060B12MP13C	XAHC60H	0.96	0.91	1.12
TP9C080B12MP13C	XAFC60H	0.99	0.95	1.12
TP9C080B12MP13C	XAFC60H	0.99	0.95	1.12
TP9C080B12MP13C	XAHC60H	0.97	0.93	1.11
TP9C080B12MP13C	XAHC60H	0.97	0.93	1.11
TP9C080C16MP13C	CF64D	0.97	0.92	1.13
TP9C080C16MP13C	CM64D	0.97	0.92	1.13
TP9C080C16MP13C	XAFC60H	0.98	0.93	1.15
TP9C080C16MP13C	XAFC60H	0.98	0.93	1.15
TP9C080C16MP13C	XAFD60H	0.98	0.92	1.16
TP9C080C16MP13C	XAFD60H	0.98	0.92	1.16
TP9C080C16MP13C	XAFD60J	0.97	0.95	1.13
TP9C080C16MP13C	XAFD60J	0.97	0.95	1.13
TP9C080C16MP13C	XAHC60H	0.96	0.9	1.14
TP9C080C16MP13C	XAHC60H	0.96	0.9	1.14
TP9C080C16MP13C	XAHD60H	0.96	0.9	1.16
TP9C080C16MP13C	XAHD60H	0.96	0.9	1.16
TP9C080C16MP13C	XAHD60J	0.95	0.94	1.13
TP9C080C16MP13C	XAHD60J	0.95	0.94	1.13
TP9C080C16MP13C	XAUD60H	0.98	0.92	1.16
TP9C100C16MP13C	CF64D	0.97	0.92	1.13
TP9C100C16MP13C	CM64D	0.97	0.92	1.13
TP9C100C16MP13C	XAFC60H	0.98	0.93	1.16
TP9C100C16MP13C	XAFC60H	0.98	0.93	1.16
TP9C100C16MP13C	XAFD60H	0.98	0.93	1.15
TP9C100C16MP13C	XAFD60H	0.98	0.93	1.15
TP9C100C16MP13C	XAFD60J	0.96	0.95	1.13
TP9C100C16MP13C	XAFD60J	0.96	0.95	1.13
TP9C100C16MP13C	XAHC60H	0.96	0.92	1.13
TP9C100C16MP13C	XAHC60H	0.96	0.92	1.13
TP9C100C16MP13C	XAHD60H	0.96	0.91	1.15
TP9C100C16MP13C	XAHD60H	0.96	0.91	1.15
TP9C100C16MP13C	XAHD60J	0.94	0.93	1.14
TP9C100C16MP13C	XAHD60J	0.94	0.93	1.14
TP9C100C16MP13C	XAUD60H	0.98	0.93	1.15
TP9C100C20MP13C	CF64D	0.98	0.93	1.14
TP9C100C20MP13C	CM64D	0.98	0.93	1.14
TP9C100C20MP13C	XAFC60H	0.98	0.92	1.16
TP9C100C20MP13C	XAFC60H	0.98	0.92	1.16
TP9C100C20MP13C	XAFD60H	0.97	0.93	1.14
TP9C100C20MP13C	XAFD60H	0.97	0.93	1.14
TP9C100C20MP13C	XAFD60J	0.96	0.95	1.13
TP9C100C20MP13C	XAFD60J	0.96	0.95	1.13
TP9C100C20MP13C	XAHC60H	0.96	0.91	1.16
TP9C100C20MP13C	XAHC60H	0.96	0.91	1.16
TP9C100C20MP13C	XAHD60H	0.95	0.9	1.17
TP9C100C20MP13C	XAHD60H	0.95	0.9	1.17

**Table 34: Cool multiplier furnace - 4 ton**

Furnace model	Indoor coil model	Total capacity	Sensible capacity	kW
TP9C100C20MP13C	XAHD60J	0.94	0.93	1.13
TP9C100C20MP13C	XAHD60J	0.94	0.93	1.13
TP9C100C20MP13C	XAUD60H	0.97	0.93	1.14
TP9C120D20MP13C	CF64D	0.98	0.93	1.13
TP9C120D20MP13C	CM64D	0.98	0.93	1.13
TP9C120D20MP13C	XAFD60H	0.99	0.94	1.13
TP9C120D20MP13C	XAFD60H	0.99	0.94	1.13
TP9C120D20MP13C	XAFD60J	0.97	0.96	1.13
TP9C120D20MP13C	XAFD60J	0.97	0.96	1.13
TP9C120D20MP13C	XAHD60H	0.97	0.92	1.12
TP9C120D20MP13C	XAHD60H	0.97	0.92	1.12
TP9C120D20MP13C	XAHD60J	0.95	0.94	1.13
TP9C120D20MP13C	XAHD60J	0.95	0.94	1.13
TP9C120D20MP13C	XAUD60H	0.99	0.94	1.13
TP9C120D20MP13C	CF64D	0.98	0.94	1.1
TP9C120D20MP13C	CM64D	0.98	0.94	1.1
TP9C120D20MP13C	XAFC60H	0.99	0.95	1.12
TP9C120D20MP13C	XAFC60H	0.99	0.95	1.12
TP9C120D20MP13C	XAFD60H	0.98	0.93	1.13
TP9C120D20MP13C	XAFD60H	0.98	0.93	1.13
TP9C120D20MP13C	XAFD60J	0.97	0.96	1.1
TP9C120D20MP13C	XAFD60J	0.97	0.96	1.1
TP9C120D20MP13C	XAHC60H	0.97	0.92	1.12
TP9C120D20MP13C	XAHC60H	0.97	0.92	1.12
TP9C120D20MP13C	XAHD60H	0.97	0.92	1.13
TP9C120D20MP13C	XAHD60H	0.97	0.92	1.13
TP9C120D20MP13C	XAHD60J	0.95	0.94	1.11
TP9C120D20MP13C	XAHD60J	0.95	0.94	1.11
TP9C120D20MP13C	XAUD60H	0.98	0.93	1.13
TP9C120D20MP13C	CF64D	0.98	0.94	1.1
TP9C120D20MP13C	CM64D	0.98	0.94	1.1
TP9C120D20MP13C	XAFC60H	0.99	0.95	1.12
TP9C120D20MP13C	XAFC60H	0.99	0.95	1.12
TP9C120D20MP13C	XAFD60H	0.98	0.93	1.13
TP9C120D20MP13C	XAFD60H	0.98	0.93	1.13
TP9C120D20MP13C	XAFD60J	0.97	0.96	1.1
TP9C120D20MP13C	XAFD60J	0.97	0.96	1.1
TP9C120D20MP13C	XAHC60H	0.97	0.92	1.12
TP9C120D20MP13C	XAHC60H	0.97	0.92	1.12
TP9C120D20MP13C	XAHD60H	0.97	0.92	1.13
TP9C120D20MP13C	XAHD60H	0.97	0.92	1.13
TP9C120D20MP13C	XAHD60J	0.95	0.94	1.11
TP9C120D20MP13C	XAHD60J	0.95	0.94	1.11
TP9C120D20MP13C	XAUD60H	0.98	0.93	1.13
TP9C120D20MP13C	CF64D	0.99	0.94	1.12
TP9C120D20MP13C	CM64D	0.99	0.94	1.12
TP9C120D20MP13C	XAFC60H	1.00	0.95	1.09
TP9C120D20MP13C	XAFC60H	1.00	0.95	1.09
TP9C120D20MP13C	XAFD60J	0.97	0.96	1.11
TP9C120D20MP13C	XAFD60J	0.97	0.96	1.11
TP9C120D20MP13C	XAHC60H	0.97	0.93	1.12
TP9C120D20MP13C	XAHC60H	0.97	0.93	1.12
TP9C120D20MP13C	XAHD60J	0.95	0.94	1.09

**Table 34: Cool multiplier furnace - 4 ton**

Furnace model	Indoor coil model	Total capacity	Sensible capacity	kW
TPLC100C20MP13C	XAHD60J	0.95	0.94	1.09
TPLC120C20MP13C	CF64D	0.99	0.94	1.12
TPLC120C20MP13C	CM64D	0.99	0.94	1.12
TPLC120C20MP13C	XAFC60H	1.00	0.95	1.09
TPLC120C20MP13C	XAFC60H	1.00	0.95	1.09
TPLC120C20MP13C	XAFD60J	0.97	0.96	1.11
TPLC120C20MP13C	XAFD60J	0.97	0.96	1.11
TPLC120C20MP13C	XAHC60H	0.97	0.93	1.12
TPLC120C20MP13C	XAHC60H	0.97	0.93	1.12
TPLC120C20MP13C	XAHD60J	0.95	0.94	1.09
TPLC120C20MP13C	XAHD60J	0.95	0.94	1.09
YP9C060B12MP13C	XAHC60H	0.96	0.91	1.12
YP9C060B12MP13C	XAHC60H	0.96	0.91	1.12
YP9C080B12MP13C	XAFC60H	0.99	0.95	1.12
YP9C080B12MP13C	XAFC60H	0.99	0.95	1.12
YP9C080B12MP13C	XAHC60H	0.97	0.93	1.11
YP9C080B12MP13C	XAHC60H	0.97	0.93	1.11
YP9C080C16MP13C	CF64D	0.97	0.92	1.13
YP9C080C16MP13C	CM64D	0.97	0.92	1.13
YP9C080C16MP13C	XAFC60H	0.98	0.93	1.15
YP9C080C16MP13C	XAFC60H	0.98	0.93	1.15
YP9C080C16MP13C	XAFD60H	0.98	0.92	1.16
YP9C080C16MP13C	XAFD60H	0.98	0.92	1.16
YP9C080C16MP13C	XAFD60J	0.97	0.95	1.13
YP9C080C16MP13C	XAFD60J	0.97	0.95	1.13
YP9C080C16MP13C	XAHC60H	0.96	0.9	1.14
YP9C080C16MP13C	XAHC60H	0.96	0.9	1.14
YP9C080C16MP13C	XAHD60H	0.96	0.9	1.16
YP9C080C16MP13C	XAHD60H	0.96	0.9	1.16
YP9C080C16MP13C	XAHD60J	0.95	0.94	1.13
YP9C080C16MP13C	XAHD60J	0.95	0.94	1.13
YP9C080C16MP13C	XAUD60H	0.98	0.92	1.16
YP9C100C16MP13C	CF64D	0.97	0.92	1.13
YP9C100C16MP13C	CM64D	0.97	0.92	1.13
YP9C100C16MP13C	XAFC60H	0.98	0.93	1.16
YP9C100C16MP13C	XAFC60H	0.98	0.93	1.16
YP9C100C16MP13C	XAFD60H	0.98	0.93	1.15
YP9C100C16MP13C	XAFD60H	0.98	0.93	1.15
YP9C100C16MP13C	XAFD60J	0.96	0.95	1.13
YP9C100C16MP13C	XAFD60J	0.96	0.95	1.13
YP9C100C16MP13C	XAHC60H	0.96	0.92	1.13
YP9C100C16MP13C	XAHC60H	0.96	0.92	1.13
YP9C100C16MP13C	XAHD60H	0.96	0.91	1.15
YP9C100C16MP13C	XAHD60H	0.96	0.91	1.15
YP9C100C16MP13C	XAHD60J	0.94	0.93	1.14
YP9C100C16MP13C	XAHD60J	0.94	0.93	1.14
YP9C100C16MP13C	XAUD60H	0.98	0.93	1.15
YP9C100C20MP13C	CF64D	0.98	0.93	1.14
YP9C100C20MP13C	CM64D	0.98	0.93	1.14
YP9C100C20MP13C	XAFC60H	0.98	0.92	1.16
YP9C100C20MP13C	XAFC60H	0.98	0.92	1.16
YP9C100C20MP13C	XAFD60H	0.97	0.93	1.14
YP9C100C20MP13C	XAFD60H	0.97	0.93	1.14

**Table 34: Cool multiplier furnace - 4 ton**

Furnace model	Indoor coil model	Total capacity	Sensible capacity	kW
YP9C100C20MP13C	XAFD60J	0.96	0.95	1.13
YP9C100C20MP13C	XAFD60J	0.96	0.95	1.13
YP9C100C20MP13C	XAHC60H	0.96	0.91	1.16
YP9C100C20MP13C	XAHC60H	0.96	0.91	1.16
YP9C100C20MP13C	XAHD60H	0.95	0.9	1.17
YP9C100C20MP13C	XAHD60H	0.95	0.9	1.17
YP9C100C20MP13C	XAHD60J	0.94	0.93	1.13
YP9C100C20MP13C	XAHD60J	0.94	0.93	1.13
YP9C100C20MP13C	XAUD60H	0.97	0.93	1.14
YP9C120D20MP13C	CF64D	0.98	0.93	1.13
YP9C120D20MP13C	CM64D	0.98	0.93	1.13
YP9C120D20MP13C	XAFD60H	0.99	0.94	1.13
YP9C120D20MP13C	XAFD60H	0.99	0.94	1.13
YP9C120D20MP13C	XAFD60J	0.97	0.96	1.13
YP9C120D20MP13C	XAFD60J	0.97	0.96	1.13
YP9C120D20MP13C	XAHD60H	0.97	0.92	1.12
YP9C120D20MP13C	XAHD60H	0.97	0.92	1.12
YP9C120D20MP13C	XAHD60J	0.95	0.94	1.13
YP9C120D20MP13C	XAHD60J	0.95	0.94	1.13
YP9C120D20MP13C	XAUD60H	0.99	0.94	1.13
YPLC080C16MP13C	CF64D	0.98	0.94	1.1
YPLC080C16MP13C	CM64D	0.98	0.94	1.1
YPLC080C16MP13C	XAFC60H	0.99	0.95	1.12
YPLC080C16MP13C	XAFC60H	0.99	0.95	1.12
YPLC080C16MP13C	XAFD60H	0.98	0.93	1.13
YPLC080C16MP13C	XAFD60H	0.98	0.93	1.13
YPLC080C16MP13C	XAFD60J	0.97	0.96	1.1
YPLC080C16MP13C	XAFD60J	0.97	0.96	1.1
YPLC080C16MP13C	XAHC60H	0.97	0.92	1.12
YPLC080C16MP13C	XAHC60H	0.97	0.92	1.12
YPLC080C16MP13C	XAHD60H	0.97	0.92	1.13
YPLC080C16MP13C	XAHD60H	0.97	0.92	1.13
YPLC080C16MP13C	XAHD60J	0.95	0.94	1.11
YPLC080C16MP13C	XAHD60J	0.95	0.94	1.11
YPLC080C16MP13C	XAUD60H	0.98	0.93	1.13
YPLC100C16MP13C	CF64D	0.98	0.94	1.1
YPLC100C16MP13C	CM64D	0.98	0.94	1.1
YPLC100C16MP13C	XAFC60H	0.99	0.95	1.12
YPLC100C16MP13C	XAFC60H	0.99	0.95	1.12
YPLC100C16MP13C	XAFD60H	0.98	0.93	1.13
YPLC100C16MP13C	XAFD60H	0.98	0.93	1.13
YPLC100C16MP13C	XAFD60J	0.97	0.96	1.1
YPLC100C16MP13C	XAFD60J	0.97	0.96	1.1
YPLC100C16MP13C	XAHC60H	0.97	0.92	1.12
YPLC100C16MP13C	XAHC60H	0.97	0.92	1.12
YPLC100C16MP13C	XAHD60H	0.97	0.92	1.13
YPLC100C16MP13C	XAHD60H	0.97	0.92	1.13
YPLC100C16MP13C	XAHD60J	0.95	0.94	1.11
YPLC100C16MP13C	XAHD60J	0.95	0.94	1.11
YPLC100C16MP13C	XAUD60H	0.98	0.93	1.13
YPLC100C20MP13C	CF64D	0.99	0.94	1.12
YPLC100C20MP13C	CM64D	0.99	0.94	1.12
YPLC100C20MP13C	XAFC60H	1.00	0.95	1.09

**Table 34: Cool multiplier furnace - 4 ton**

Furnace model	Indoor coil model	Total capacity	Sensible capacity	kW
YPLC100C20MP13C	XAFC60H	1.00	0.95	1.09
YPLC100C20MP13C	XAFD60J	0.97	0.96	1.11
YPLC100C20MP13C	XAFD60J	0.97	0.96	1.11
YPLC100C20MP13C	XAHC60H	0.97	0.93	1.12
YPLC100C20MP13C	XAHC60H	0.97	0.93	1.12
YPLC100C20MP13C	XAHD60J	0.95	0.94	1.09
YPLC100C20MP13C	XAHD60J	0.95	0.94	1.09
YPLC120C20MP13C	CF64D	0.99	0.94	1.12
YPLC120C20MP13C	CM64D	0.99	0.94	1.12
YPLC120C20MP13C	XAFC60H	1.00	0.95	1.09
YPLC120C20MP13C	XAFC60H	1.00	0.95	1.09
YPLC120C20MP13C	XAFD60J	0.97	0.96	1.11
YPLC120C20MP13C	XAFD60J	0.97	0.96	1.11
YPLC120C20MP13C	XAHC60H	0.97	0.93	1.12
YPLC120C20MP13C	XAHC60H	0.97	0.93	1.12
YPLC120C20MP13C	XAHD60J	0.95	0.94	1.09
YPLC120C20MP13C	XAHD60J	0.95	0.94	1.09

## Heating performance data - 4 ton

**Table 35: Heating performance data - 4 ton**

Air temperature entering outdoor unit (°F)	Air temperature entering indoor unit (°F)	1200			1500			1800		
		MBH	COP	KW	MBH	COP	KW	MBH	COP	KW
60	60	41.80	2.90	4.23	53.80	3.85	4.10	53.60	3.96	3.97
60	70	51.30	3.26	4.61	53.00	3.46	4.48	54.70	3.68	4.35
60	80	50.40	2.98	4.95	51.00	3.11	4.82	51.70	3.24	4.68
47	60	46.20	3.39	4.00	46.60	3.49	3.91	46.90	3.59	3.82
47	70	43.90	2.97	4.34	45.40	3.13	4.25	46.90	3.30	4.17
47	80	43.10	2.72	4.65	43.70	2.81	4.56	44.20	2.91	4.46
40	60	42.10	3.19	3.87	42.70	3.29	3.81	43.30	3.39	3.75
40	70	39.90	2.80	4.19	41.30	2.93	4.13	42.60	3.07	4.07
40	80	39.20	2.56	4.49	39.70	2.63	4.42	40.20	2.71	4.34
30	60	36.20	2.87	3.69	37.20	2.97	3.67	38.10	3.07	3.64
30	70	34.30	2.53	3.98	35.40	2.63	3.95	36.60	2.74	3.92
30	80	33.60	2.32	4.26	34.00	2.36	4.22	34.40	2.41	4.18
17	60	28.50	2.42	3.46	30.00	2.52	3.48	31.40	2.63	3.50
17	70	26.90	2.13	3.70	27.90	2.19	3.72	28.80	2.26	3.74
17	80	26.40	1.95	3.95	26.60	1.97	3.96	26.90	1.99	3.96
10	60	24.40	2.14	3.34	26.10	2.26	3.38	27.80	2.38	3.42
10	70	22.90	1.89	3.55	23.80	1.94	3.59	24.60	1.98	3.64
10	80	22.50	1.74	3.79	22.70	1.74	3.82	22.90	1.75	3.84
0	60	18.50	1.71	3.16	20.60	1.86	3.24	22.70	2.00	3.31
0	70	17.20	1.51	3.34	17.90	1.54	3.42	18.60	1.56	3.49
0	80	16.90	1.39	3.56	17.00	1.38	3.62	17.10	1.36	3.68

## Multipliers for determining the performance with other indoor sections

### Heat multiplier airhandler - 4 ton

**Table 36: Heat multiplier air handler - 4 ton**

Air handler model	Indoor coil model	MBH	Cop	kW
AE60D	—	1.13	1.37	0.90
AE60D	—	1.13	1.37	0.90
AE60DX21	—	1.13	1.37	0.90
AE60DX21	—	1.13	1.37	0.90



**Table 36: Heat multiplier air handler - 4 ton**

Air handler model	Indoor coil model	MBH	Cop	kW
AVC60DX21	—	1.03	0.87	1.17
AVC60DX21	—	1.03	0.87	1.17
JHETC60HBCS2N1	—	1.05	0.90	1.17
JHETC60HXXS2N1	—	1.05	0.91	1.15
JHETD60HBCS2N1	—	1.05	0.90	1.16
JHETD60JBCS2N1	—	1.03	0.93	1.10
JHETD60JXXS2N1	—	1.03	0.93	1.10
JHVTC60HBCC2N1	—	1.06	0.90	1.17
JHVTC60HXXC2N1	—	1.05	0.91	1.15
JHVTD60HBCC2N1	—	1.05	0.91	1.14
JHVTD60JBCC2N1	—	1.03	0.94	1.10
JHVTD60JXXC2N1	—	1.03	0.94	1.10
JMET16CS2N1A	XAFC60H	1.05	0.90	1.17
JMET16CS2N1A	XAFC60H	1.05	0.90	1.17
JMET16CS2N1A	XAHC60H	1.03	0.88	1.17
JMET16CS2N1A	XAHC60H	1.03	0.88	1.17
JMET18DS2N1A	XAFD60H	1.05	0.90	1.16
JMET18DS2N1A	XAFD60H	1.05	0.90	1.16
JMET18DS2N1A	XAFD60J	1.05	0.90	1.16
JMET18DS2N1A	XAFD60J	1.05	0.90	1.16
JMET18DS2N1A	XAHD60H	1.03	0.89	1.16
JMET18DS2N1A	XAHD60H	1.03	0.89	1.16
JMET18DS2N1A	XAHD60J	1.01	0.90	1.12
JMET18DS2N1A	XAHD60J	1.01	0.90	1.12
JMET18DS2N1A	XAUD60H	1.05	0.90	1.16
JMVT16CC2N1A	XAFC60H	1.04	0.91	1.13
JMVT16CC2N1A	XAFC60H	1.04	0.91	1.13
JMVT16CC2N1A	XAHC60H	1.02	0.89	1.14
JMVT16CC2N1A	XAHC60H	1.02	0.89	1.14
JMVT17CC2N1A	XAFC60H	1.05	0.90	1.17
JMVT17CC2N1A	XAFC60H	1.05	0.90	1.17
JMVT17CC2N1A	XAHC60H	1.02	0.89	1.14
JMVT17CC2N1A	XAHC60H	1.02	0.89	1.14
JMVT20DC2N1A	XAFD60H	1.05	0.91	1.16
JMVT20DC2N1A	XAFD60H	1.05	0.91	1.16
JMVT20DC2N1A	XAFD60J	1.03	0.92	1.12
JMVT20DC2N1A	XAFD60J	1.03	0.92	1.12
JMVT20DC2N1A	XAHD60H	1.02	0.90	1.13
JMVT20DC2N1A	XAHD60H	1.02	0.90	1.13
JMVT20DC2N1A	XAHD60J	1.02	0.90	1.14
JMVT20DC2N1A	XAHD60J	1.02	0.90	1.14
JMVT20DC2N1A	XAUD60H	1.05	0.91	1.16
ME12CN21	XAFC60H	1.04	0.94	1.11
ME12CN21	XAFC60H	1.04	0.94	1.11
ME12CN21	XAHC60H	1.02	0.92	1.10
ME12CN21	XAHC60H	1.02	0.92	1.10
ME14DN21	CF64D	1.02	0.92	1.10
ME14DN21	CM64D	1.02	0.92	1.10
ME14DN21	XAFD60J	1.03	0.93	1.10
ME14DN21	XAFD60J	1.03	0.93	1.10
ME14DN21	XAHD60J	1.01	0.92	1.09
ME14DN21	XAHD60J	1.01	0.92	1.09
ME16CN21	XAFC60H	1.05	0.90	1.16

**Table 36: Heat multiplier air handler - 4 ton**

Air handler model	Indoor coil model	MBH	Cop	kW
ME16CN21	XAFC60H	1.05	0.90	1.16
ME16CN21	XAHC60H	1.03	0.88	1.17
ME16CN21	XAHC60H	1.03	0.88	1.17
MVC12CN21	XAFC60H	1.04	0.93	1.12
MVC12CN21	XAFC60H	1.04	0.93	1.12
MVC12CN21	XAHC60H	1.02	0.92	1.10
MVC12CN21	XAHC60H	1.02	0.92	1.10
MVC14DN21	CF64D	1.01	0.92	1.09
MVC14DN21	CM64D	1.01	0.92	1.09
MVC14DN21	XAFD60J	1.02	0.95	1.07
MVC14DN21	XAFD60J	1.02	0.95	1.07
MVC14DN21	XAHD60J	1.01	0.93	1.08
MVC14DN21	XAHD60J	1.01	0.93	1.08
MVC16CN21	XAFC60H	1.05	0.93	1.12
MVC16CN21	XAFC60H	1.05	0.93	1.12
MVC16CN21	XAHC60H	1.03	0.90	1.13
MVC16CN21	XAHC60H	1.03	0.90	1.13
MVC20DN21	CF64D	1.01	0.90	1.13
MVC20DN21	CM64D	1.01	0.90	1.13

## Heat multiplier furnace - 4 ton

**Table 37: Heat multiplier furnace - 4 ton**

Furnace model	Indoor coil model	MBH	Cop	kW
TL8E080C16UH11	CF64D	1.02	0.88	1.16
TL8E080C16UH11	CM64D	1.02	0.88	1.16
TL8E080C16UH11	XAFC60H	1.05	0.91	1.15
TL8E080C16UH11	XAFC60H	1.05	0.91	1.15
TL8E080C16UH11	XAFD60H	1.06	0.89	1.20
TL8E080C16UH11	XAFD60H	1.06	0.89	1.20
TL8E080C16UH11	XAFD60J	1.04	0.90	1.15
TL8E080C16UH11	XAFD60J	1.04	0.90	1.15
TL8E080C16UH11	XAHC60H	1.03	0.89	1.15
TL8E080C16UH11	XAHC60H	1.03	0.89	1.15
TL8E080C16UH11	XAHD60H	1.04	0.87	1.19
TL8E080C16UH11	XAHD60H	1.04	0.87	1.19
TL8E080C16UH11	XAHD60J	1.02	0.89	1.15
TL8E080C16UH11	XAHD60J	1.02	0.89	1.15
TL8E080C16UH11	XAUD60H	1.06	0.89	1.20
TL8E100C20UH11	CF64D	1.02	0.89	1.14
TL8E100C20UH11	CM64D	1.02	0.89	1.14
TL8E100C20UH11	XAFC60H	1.05	0.90	1.17
TL8E100C20UH11	XAFC60H	1.05	0.90	1.17
TL8E100C20UH11	XAFD60H	1.06	0.90	1.18
TL8E100C20UH11	XAFD60H	1.06	0.90	1.18
TL8E100C20UH11	XAFD60J	1.04	0.91	1.13
TL8E100C20UH11	XAFD60J	1.04	0.91	1.13
TL8E100C20UH11	XAHC60H	1.03	0.88	1.17
TL8E100C20UH11	XAHC60H	1.03	0.88	1.17
TL8E100C20UH11	XAHD60H	1.04	0.87	1.18
TL8E100C20UH11	XAHD60H	1.04	0.87	1.18
TL8E100C20UH11	XAHD60J	1.02	0.89	1.14
TL8E100C20UH11	XAHD60J	1.02	0.89	1.14

**Table 37: Heat multiplier furnace - 4 ton**

Furnace model	Indoor coil model	MBH	Cop	kW
TL8E100C20UH11	XAUD60H	1.06	0.90	1.18
TL9E080C16UH11	CF64D	1.02	0.90	1.14
TL9E080C16UH11	CM64D	1.02	0.90	1.14
TL9E080C16UH11	XAFC60H	1.06	0.91	1.16
TL9E080C16UH11	XAFC60H	1.06	0.91	1.16
TL9E080C16UH11	XAFD60H	1.07	0.87	1.22
TL9E080C16UH11	XAFD60H	1.07	0.87	1.22
TL9E080C16UH11	XAFD60J	1.03	0.92	1.12
TL9E080C16UH11	XAFD60J	1.03	0.92	1.12
TL9E080C16UH11	XAHC60H	1.04	0.89	1.16
TL9E080C16UH11	XAHC60H	1.04	0.89	1.16
TL9E080C16UH11	XAHD60H	1.04	0.88	1.18
TL9E080C16UH11	XAHD60H	1.04	0.88	1.18
TL9E080C16UH11	XAHD60J	1.01	0.90	1.12
TL9E080C16UH11	XAHD60J	1.01	0.90	1.12
TL9E080C16UH11	XAUD60H	1.07	0.87	1.22
TL9E100C20UH11	XAFC60H	1.06	0.89	1.19
TL9E100C20UH11	XAFC60H	1.06	0.89	1.19
TL9E100C20UH11	XAFD60H	1.06	0.89	1.19
TL9E100C20UH11	XAFD60H	1.06	0.89	1.19
TL9E100C20UH11	XAFD60J	1.04	0.90	1.15
TL9E100C20UH11	XAFD60J	1.04	0.90	1.15
TL9E100C20UH11	XAHC60H	1.04	0.88	1.18
TL9E100C20UH11	XAHC60H	1.04	0.88	1.18
TL9E100C20UH11	XAHD60H	1.04	0.87	1.18
TL9E100C20UH11	XAHD60H	1.04	0.87	1.18
TL9E100C20UH11	XAHD60J	1.02	0.89	1.14
TL9E100C20UH11	XAHD60J	1.02	0.89	1.14
TL9E100C20UH11	XAUD60H	1.06	0.89	1.19
TM8E080B12MP11	XAFC60H	1.06	0.90	1.17
TM8E080B12MP11	XAFC60H	1.06	0.90	1.17
TM8E080B12MP11	XAHC60H	1.04	0.88	1.17
TM8E080B12MP11	XAHC60H	1.04	0.88	1.17
TM8E080C16MP11	CF64D	1.02	0.88	1.15
TM8E080C16MP11	CM64D	1.02	0.88	1.15
TM8E080C16MP11	XAFC60H	1.06	0.89	1.18
TM8E080C16MP11	XAFC60H	1.06	0.89	1.18
TM8E080C16MP11	XAFD60H	1.06	0.89	1.19
TM8E080C16MP11	XAFD60H	1.06	0.89	1.19
TM8E080C16MP11	XAFD60J	1.04	0.90	1.15
TM8E080C16MP11	XAFD60J	1.04	0.90	1.15
TM8E080C16MP11	XAHC60H	1.04	0.87	1.19
TM8E080C16MP11	XAHC60H	1.04	0.87	1.19
TM8E080C16MP11	XAHD60H	1.04	0.87	1.19
TM8E080C16MP11	XAHD60H	1.04	0.87	1.19
TM8E080C16MP11	XAHD60J	1.02	0.89	1.15
TM8E080C16MP11	XAHD60J	1.02	0.89	1.15
TM8E080C16MP11	XAUD60H	1.06	0.89	1.19
TM8E080C20MP11	XAFC60H	1.05	0.90	1.17
TM8E080C20MP11	XAFC60H	1.05	0.90	1.17
TM8E080C20MP11	XAFD60H	1.07	0.87	1.22
TM8E080C20MP11	XAFD60H	1.07	0.87	1.22
TM8E080C20MP11	XAFD60J	1.03	0.91	1.13

**Table 37: Heat multiplier furnace - 4 ton**

Furnace model	Indoor coil model	MBH	Cop	kW
TM8E080C20MP11	XAFD60J	1.03	0.91	1.13
TM8E080C20MP11	XAHC60H	1.04	0.89	1.17
TM8E080C20MP11	XAHC60H	1.04	0.89	1.17
TM8E080C20MP11	XAHD60H	1.03	0.88	1.17
TM8E080C20MP11	XAHD60H	1.03	0.88	1.17
TM8E080C20MP11	XAHD60J	1.02	0.90	1.14
TM8E080C20MP11	XAHD60J	1.02	0.90	1.14
TM8E080C20MP11	XAUD60H	1.07	0.87	1.22
TM8E100C16MP11	CF64D	1.02	0.88	1.15
TM8E100C16MP11	CM64D	1.02	0.88	1.15
TM8E100C16MP11	XAFC60H	1.06	0.89	1.18
TM8E100C16MP11	XAFC60H	1.06	0.89	1.18
TM8E100C16MP11	XAFD60H	1.06	0.89	1.19
TM8E100C16MP11	XAFD60H	1.06	0.89	1.19
TM8E100C16MP11	XAFD60J	1.04	0.90	1.15
TM8E100C16MP11	XAFD60J	1.04	0.90	1.15
TM8E100C16MP11	XAHC60H	1.04	0.87	1.19
TM8E100C16MP11	XAHC60H	1.04	0.87	1.19
TM8E100C16MP11	XAHD60H	1.04	0.87	1.19
TM8E100C16MP11	XAHD60H	1.04	0.87	1.19
TM8E100C16MP11	XAHD60J	1.02	0.89	1.15
TM8E100C16MP11	XAHD60J	1.02	0.89	1.15
TM8E100C16MP11	XAUD60H	1.06	0.89	1.19
TM8E100C20MP11	XAFC60H	1.06	0.90	1.17
TM8E100C20MP11	XAFC60H	1.06	0.90	1.17
TM8E100C20MP11	XAFD60H	1.07	0.87	1.22
TM8E100C20MP11	XAFD60H	1.07	0.87	1.22
TM8E100C20MP11	XAFD60J	1.03	0.92	1.12
TM8E100C20MP11	XAFD60J	1.03	0.92	1.12
TM8E100C20MP11	XAHC60H	1.03	0.88	1.17
TM8E100C20MP11	XAHC60H	1.03	0.88	1.17
TM8E100C20MP11	XAHD60H	1.04	0.88	1.17
TM8E100C20MP11	XAHD60H	1.04	0.88	1.17
TM8E100C20MP11	XAHD60J	1.03	0.87	1.18
TM8E100C20MP11	XAHD60J	1.03	0.87	1.18
TM8E100C20MP11	XAUD60H	1.07	0.87	1.22
TM8E120C16MP11	CF64D	1.02	0.88	1.15
TM8E120C16MP11	CM64D	1.02	0.88	1.15
TM8E120C16MP11	XAFC60H	1.06	0.89	1.18
TM8E120C16MP11	XAFC60H	1.06	0.89	1.18
TM8E120C16MP11	XAFD60H	1.06	0.89	1.19
TM8E120C16MP11	XAFD60H	1.06	0.89	1.19
TM8E120C16MP11	XAFD60J	1.04	0.90	1.15
TM8E120C16MP11	XAFD60J	1.04	0.90	1.15
TM8E120C16MP11	XAHC60H	1.03	0.88	1.18
TM8E120C16MP11	XAHC60H	1.03	0.88	1.18
TM8E120C16MP11	XAHD60H	1.04	0.87	1.19
TM8E120C16MP11	XAHD60H	1.04	0.87	1.19
TM8E120C16MP11	XAHD60J	1.02	0.89	1.15
TM8E120C16MP11	XAHD60J	1.02	0.89	1.15
TM8E120C16MP11	XAUD60H	1.06	0.89	1.19
TM8E120C20MP11	XAFC60H	1.06	0.91	1.16
TM8E120C20MP11	XAFC60H	1.06	0.91	1.16

**Table 37: Heat multiplier furnace - 4 ton**

Furnace model	Indoor coil model	MBH	Cop	kW
TM8E120C20MP11	XAFD60H	1.06	0.91	1.16
TM8E120C20MP11	XAFD60H	1.06	0.91	1.16
TM8E120C20MP11	XAFD60J	1.04	0.92	1.12
TM8E120C20MP11	XAFD60J	1.04	0.92	1.12
TM8E120C20MP11	XAHC60H	1.03	0.89	1.16
TM8E120C20MP11	XAHC60H	1.03	0.89	1.16
TM8E120C20MP11	XAHD60H	1.04	0.89	1.16
TM8E120C20MP11	XAHD60H	1.04	0.89	1.16
TM8E120C20MP11	XAHD60J	1.01	0.90	1.12
TM8E120C20MP11	XAHD60J	1.01	0.90	1.12
TM8E120C20MP11	XAUD60H	1.06	0.91	1.16
TM8E130D20MP11	XAFD60H	1.06	0.89	1.18
TM8E130D20MP11	XAFD60H	1.06	0.89	1.18
TM8E130D20MP11	XAFD60J	1.04	0.91	1.14
TM8E130D20MP11	XAFD60J	1.04	0.91	1.14
TM8E130D20MP11	XAHD60H	1.04	0.88	1.18
TM8E130D20MP11	XAHD60H	1.04	0.88	1.18
TM8E130D20MP11	XAHD60J	1.02	0.89	1.14
TM8E130D20MP11	XAHD60J	1.02	0.89	1.14
TM8E130D20MP11	XAUD60H	1.06	0.89	1.18
TM8V080C16MP12C	CF64D	1.02	0.90	1.13
TM8V080C16MP12C	CM64D	1.02	0.90	1.13
TM8V080C16MP12C	XAFC60H	1.05	0.91	1.16
TM8V080C16MP12C	XAFC60H	1.05	0.91	1.16
TM8V080C16MP12C	XAFD60H	1.06	0.89	1.19
TM8V080C16MP12C	XAFD60H	1.06	0.89	1.19
TM8V080C16MP12C	XAFD60J	1.03	0.92	1.11
TM8V080C16MP12C	XAFD60J	1.03	0.92	1.11
TM8V080C16MP12C	XAHC60H	1.03	0.88	1.17
TM8V080C16MP12C	XAHC60H	1.03	0.88	1.17
TM8V080C16MP12C	XAHD60H	1.03	0.88	1.17
TM8V080C16MP12C	XAHD60H	1.03	0.88	1.17
TM8V080C16MP12C	XAHD60J	1.01	0.90	1.12
TM8V080C16MP12C	XAHD60J	1.01	0.90	1.12
TM8V080C16MP12C	XAUD60H	1.06	0.89	1.19
TM8V100C16MP12C	CF64D	1.02	0.90	1.13
TM8V100C16MP12C	CM64D	1.02	0.90	1.13
TM8V100C16MP12C	XAFC60H	1.05	0.91	1.16
TM8V100C16MP12C	XAFC60H	1.05	0.91	1.16
TM8V100C16MP12C	XAFD60H	1.06	0.89	1.19
TM8V100C16MP12C	XAFD60H	1.06	0.89	1.19
TM8V100C16MP12C	XAFD60J	1.03	0.92	1.11
TM8V100C16MP12C	XAFD60J	1.03	0.92	1.11
TM8V100C16MP12C	XAHC60H	1.03	0.89	1.16
TM8V100C16MP12C	XAHC60H	1.03	0.89	1.16
TM8V100C16MP12C	XAHD60H	1.03	0.88	1.17
TM8V100C16MP12C	XAHD60H	1.03	0.88	1.17
TM8V100C16MP12C	XAHD60J	1.01	0.90	1.12
TM8V100C16MP12C	XAHD60J	1.01	0.90	1.12
TM8V100C16MP12C	XAUD60H	1.06	0.89	1.19
TM8V100C20MP12C	CF64D	1.02	0.90	1.14
TM8V100C20MP12C	CM64D	1.02	0.90	1.14
TM8V100C20MP12C	XAFC60H	1.04	0.92	1.14

**Table 37: Heat multiplier furnace - 4 ton**

Furnace model	Indoor coil model	MBH	Cop	kW
TM8V100C20MP12C	XAFC60H	1.04	0.92	1.14
TM8V100C20MP12C	XAFD60H	1.07	0.86	1.24
TM8V100C20MP12C	XAFD60H	1.07	0.86	1.24
TM8V100C20MP12C	XAFD60J	1.03	0.92	1.12
TM8V100C20MP12C	XAFD60J	1.03	0.92	1.12
TM8V100C20MP12C	XAHC60H	1.03	0.89	1.16
TM8V100C20MP12C	XAHC60H	1.03	0.89	1.16
TM8V100C20MP12C	XAHD60H	1.05	0.84	1.24
TM8V100C20MP12C	XAHD60H	1.05	0.84	1.24
TM8V100C20MP12C	XAHD60J	1.04	0.85	1.22
TM8V100C20MP12C	XAHD60J	1.04	0.85	1.22
TM8V100C20MP12C	XAUD60H	1.07	0.86	1.24
TM8V120C20MP12C	CF64D	1.02	0.90	1.14
TM8V120C20MP12C	CM64D	1.02	0.90	1.14
TM8V120C20MP12C	XAFC60H	1.04	0.92	1.14
TM8V120C20MP12C	XAFC60H	1.04	0.92	1.14
TM8V120C20MP12C	XAFD60J	1.03	0.92	1.12
TM8V120C20MP12C	XAFD60J	1.03	0.92	1.12
TM8V120C20MP12C	XAHC60H	1.03	0.88	1.16
TM8V120C20MP12C	XAHC60H	1.03	0.88	1.16
TM8V120C20MP12C	XAHD60J	1.01	0.91	1.10
TM8V120C20MP12C	XAHD60J	1.01	0.91	1.10
TM8Y080C16MP11	CF64D	1.02	0.88	1.16
TM8Y080C16MP11	CM64D	1.02	0.88	1.16
TM8Y080C16MP11	XAFC60H	1.06	0.89	1.18
TM8Y080C16MP11	XAFC60H	1.06	0.89	1.18
TM8Y080C16MP11	XAFD60H	1.06	0.89	1.19
TM8Y080C16MP11	XAFD60H	1.06	0.89	1.19
TM8Y080C16MP11	XAFD60J	1.03	0.91	1.13
TM8Y080C16MP11	XAFD60J	1.03	0.91	1.13
TM8Y080C16MP11	XAHC60H	1.03	0.90	1.14
TM8Y080C16MP11	XAHC60H	1.03	0.90	1.14
TM8Y080C16MP11	XAHD60H	1.04	0.87	1.19
TM8Y080C16MP11	XAHD60H	1.04	0.87	1.19
TM8Y080C16MP11	XAHD60J	1.02	0.89	1.14
TM8Y080C16MP11	XAHD60J	1.02	0.89	1.14
TM8Y080C16MP11	XAUD60H	1.06	0.89	1.19
TM8Y100C16MP11	XAFC60H	1.06	0.89	1.18
TM8Y100C16MP11	XAFC60H	1.06	0.89	1.18
TM8Y100C16MP11	XAFD60H	1.06	0.89	1.19
TM8Y100C16MP11	XAFD60H	1.06	0.89	1.19
TM8Y100C16MP11	XAFD60J	1.03	0.91	1.13
TM8Y100C16MP11	XAFD60J	1.03	0.91	1.13
TM8Y100C16MP11	XAHC60H	1.04	0.87	1.18
TM8Y100C16MP11	XAHC60H	1.04	0.87	1.18
TM8Y100C16MP11	XAHD60H	1.04	0.87	1.19
TM8Y100C16MP11	XAHD60H	1.04	0.87	1.19
TM8Y100C16MP11	XAHD60J	1.01	0.89	1.13
TM8Y100C16MP11	XAHD60J	1.01	0.89	1.13
TM8Y100C16MP11	XAUD60H	1.06	0.89	1.19
TM8Y100C20MP11	CF64D	1.02	0.90	1.14
TM8Y100C20MP11	CM64D	1.02	0.90	1.14
TM8Y100C20MP11	XAFC60H	1.06	0.90	1.17

**Table 37: Heat multiplier furnace - 4 ton**

Furnace model	Indoor coil model	MBH	Cop	kW
TM8Y100C20MP11	XAFC60H	1.06	0.90	1.17
TM8Y100C20MP11	XAFD60H	1.06	0.90	1.17
TM8Y100C20MP11	XAFD60H	1.06	0.90	1.17
TM8Y100C20MP11	XAFD60J	1.03	0.92	1.12
TM8Y100C20MP11	XAFD60J	1.03	0.92	1.12
TM8Y100C20MP11	XAHC60H	1.04	0.89	1.17
TM8Y100C20MP11	XAHC60H	1.04	0.89	1.17
TM8Y100C20MP11	XAHD60H	1.03	0.88	1.17
TM8Y100C20MP11	XAHD60H	1.03	0.88	1.17
TM8Y100C20MP11	XAHD60J	1.01	0.90	1.12
TM8Y100C20MP11	XAHD60J	1.01	0.90	1.12
TM8Y100C20MP11	XAUD60H	1.06	0.90	1.17
TM8Y120C20MP11	CF64D	1.02	0.90	1.14
TM8Y120C20MP11	CM64D	1.02	0.90	1.14
TM8Y120C20MP11	XAFC60H	1.06	0.90	1.17
TM8Y120C20MP11	XAFC60H	1.06	0.90	1.17
TM8Y120C20MP11	XAFD60H	1.06	0.90	1.17
TM8Y120C20MP11	XAFD60H	1.06	0.90	1.17
TM8Y120C20MP11	XAFD60J	1.03	0.92	1.12
TM8Y120C20MP11	XAFD60J	1.03	0.92	1.12
TM8Y120C20MP11	XAHC60H	1.04	0.89	1.17
TM8Y120C20MP11	XAHC60H	1.04	0.89	1.17
TM8Y120C20MP11	XAHD60H	1.03	0.88	1.17
TM8Y120C20MP11	XAHD60H	1.03	0.88	1.17
TM8Y120C20MP11	XAHD60J	1.01	0.90	1.12
TM8Y120C20MP11	XAHD60J	1.01	0.90	1.12
TM8Y120C20MP11	XAUD60H	1.06	0.90	1.17
TM9E060B12MP12	XAHC60H	1.04	0.88	1.18
TM9E060B12MP12	XAHC60H	1.04	0.88	1.18
TM9E080B12MP12	XAFC60H	1.05	0.91	1.16
TM9E080B12MP12	XAFC60H	1.05	0.91	1.16
TM9E080B12MP12	XAHC60H	1.04	0.89	1.17
TM9E080B12MP12	XAHC60H	1.04	0.89	1.17
TM9E080C16MP12	CF64D	1.03	0.88	1.17
TM9E080C16MP12	CM64D	1.03	0.88	1.17
TM9E080C16MP12	XAFC60H	1.06	0.88	1.20
TM9E080C16MP12	XAFC60H	1.06	0.88	1.20
TM9E080C16MP12	XAFD60H	1.06	0.88	1.21
TM9E080C16MP12	XAFD60H	1.06	0.88	1.21
TM9E080C16MP12	XAFD60J	1.04	0.90	1.16
TM9E080C16MP12	XAFD60J	1.04	0.90	1.16
TM9E080C16MP12	XAHC60H	1.05	0.86	1.21
TM9E080C16MP12	XAHC60H	1.05	0.86	1.21
TM9E080C16MP12	XAHD60H	1.04	0.86	1.20
TM9E080C16MP12	XAHD60H	1.04	0.86	1.20
TM9E080C16MP12	XAHD60J	1.02	0.88	1.15
TM9E080C16MP12	XAHD60J	1.02	0.88	1.15
TM9E080C16MP12	XAUD60H	1.06	0.88	1.21
TM9E080C20MP12	XAFC60H	1.07	0.87	1.22
TM9E080C20MP12	XAFC60H	1.07	0.87	1.22
TM9E080C20MP12	XAFD60H	1.07	0.87	1.22
TM9E080C20MP12	XAFD60H	1.07	0.87	1.22
TM9E080C20MP12	XAFD60J	1.05	0.89	1.18

**Table 37: Heat multiplier furnace - 4 ton**

Furnace model	Indoor coil model	MBH	Cop	kW
TM9E080C20MP12	XAFD60J	1.05	0.89	1.18
TM9E080C20MP12	XAHC60H	1.03	0.88	1.17
TM9E080C20MP12	XAHC60H	1.03	0.88	1.17
TM9E080C20MP12	XAHD60H	1.04	0.88	1.17
TM9E080C20MP12	XAHD60H	1.04	0.88	1.17
TM9E080C20MP12	XAHD60J	1.03	0.87	1.18
TM9E080C20MP12	XAHD60J	1.03	0.87	1.18
TM9E080C20MP12	XAUD60H	1.07	0.87	1.22
TM9E100C16MP12	CF64D	1.03	0.88	1.17
TM9E100C16MP12	CM64D	1.03	0.88	1.17
TM9E100C16MP12	XAFC60H	1.07	0.88	1.22
TM9E100C16MP12	XAFC60H	1.07	0.88	1.22
TM9E100C16MP12	XAFD60H	1.07	0.88	1.22
TM9E100C16MP12	XAFD60H	1.07	0.88	1.22
TM9E100C16MP12	XAFD60J	1.05	0.89	1.17
TM9E100C16MP12	XAFD60J	1.05	0.89	1.17
TM9E100C16MP12	XAHC60H	1.05	0.86	1.22
TM9E100C16MP12	XAHC60H	1.05	0.86	1.22
TM9E100C16MP12	XAHD60H	1.05	0.86	1.22
TM9E100C16MP12	XAHD60H	1.05	0.86	1.22
TM9E100C16MP12	XAHD60J	1.03	0.87	1.17
TM9E100C16MP12	XAHD60J	1.03	0.87	1.17
TM9E100C16MP12	XAUD60H	1.07	0.88	1.22
TM9E100C20MP12	XAFC60H	1.06	0.88	1.21
TM9E100C20MP12	XAFC60H	1.06	0.88	1.21
TM9E100C20MP12	XAFD60H	1.06	0.88	1.21
TM9E100C20MP12	XAFD60H	1.06	0.88	1.21
TM9E100C20MP12	XAFD60J	1.05	0.89	1.17
TM9E100C20MP12	XAFD60J	1.05	0.89	1.17
TM9E100C20MP12	XAHC60H	1.03	0.89	1.16
TM9E100C20MP12	XAHC60H	1.03	0.89	1.16
TM9E100C20MP12	XAHD60H	1.04	0.86	1.21
TM9E100C20MP12	XAHD60H	1.04	0.86	1.21
TM9E100C20MP12	XAHD60J	1.03	0.87	1.18
TM9E100C20MP12	XAHD60J	1.03	0.87	1.18
TM9E100C20MP12	XAUD60H	1.06	0.88	1.21
TM9E120D20MP12	XAFD60H	1.06	0.89	1.19
TM9E120D20MP12	XAFD60H	1.06	0.89	1.19
TM9E120D20MP12	XAFD60J	1.05	0.88	1.18
TM9E120D20MP12	XAFD60J	1.05	0.88	1.18
TM9E120D20MP12	XAHD60H	1.05	0.85	1.23
TM9E120D20MP12	XAHD60H	1.05	0.85	1.23
TM9E120D20MP12	XAHD60J	1.02	0.88	1.15
TM9E120D20MP12	XAHD60J	1.02	0.88	1.15
TM9E120D20MP12	XAUD60H	1.06	0.89	1.19
TM9V060B12MP12C	XAHC60H	1.04	0.88	1.18
TM9V060B12MP12C	XAHC60H	1.04	0.88	1.18
TM9V080B12MP12C	XAFC60H	1.05	0.91	1.15
TM9V080B12MP12C	XAFC60H	1.05	0.91	1.15
TM9V080B12MP12C	XAHC60H	1.03	0.89	1.15
TM9V080B12MP12C	XAHC60H	1.03	0.89	1.15
TM9V080C16MP12C	CF64D	1.02	0.89	1.15
TM9V080C16MP12C	CM64D	1.02	0.89	1.15



**Table 37: Heat multiplier furnace - 4 ton**

Furnace model	Indoor coil model	MBH	Cop	kW
TM9V080C16MP12C	XAFC60H	1.07	0.89	1.19
TM9V080C16MP12C	XAFC60H	1.07	0.89	1.19
TM9V080C16MP12C	XAFD60H	1.07	0.87	1.22
TM9V080C16MP12C	XAFD60H	1.07	0.87	1.22
TM9V080C16MP12C	XAFD60J	1.04	0.91	1.13
TM9V080C16MP12C	XAFD60J	1.04	0.91	1.13
TM9V080C16MP12C	XAHC60H	1.04	0.88	1.18
TM9V080C16MP12C	XAHC60H	1.04	0.88	1.18
TM9V080C16MP12C	XAHD60H	1.05	0.86	1.22
TM9V080C16MP12C	XAHD60H	1.05	0.86	1.22
TM9V080C16MP12C	XAHD60J	1.02	0.89	1.14
TM9V080C16MP12C	XAHD60J	1.02	0.89	1.14
TM9V080C16MP12C	XAUD60H	1.07	0.87	1.22
TM9V100C16MP12C	CF64D	1.03	0.89	1.16
TM9V100C16MP12C	CM64D	1.03	0.89	1.16
TM9V100C16MP12C	XAFC60H	1.06	0.89	1.18
TM9V100C16MP12C	XAFC60H	1.06	0.89	1.18
TM9V100C16MP12C	XAFD60H	1.06	0.88	1.20
TM9V100C16MP12C	XAFD60H	1.06	0.88	1.20
TM9V100C16MP12C	XAFD60J	1.04	0.90	1.15
TM9V100C16MP12C	XAFD60J	1.04	0.90	1.15
TM9V100C16MP12C	XAHC60H	1.04	0.89	1.17
TM9V100C16MP12C	XAHC60H	1.04	0.89	1.17
TM9V100C16MP12C	XAHD60H	1.04	0.87	1.20
TM9V100C16MP12C	XAHD60H	1.04	0.87	1.20
TM9V100C16MP12C	XAHD60J	1.03	0.88	1.16
TM9V100C16MP12C	XAHD60J	1.03	0.88	1.16
TM9V100C16MP12C	XAUD60H	1.06	0.88	1.20
TM9V100C20MP12C	CF64D	1.03	0.88	1.16
TM9V100C20MP12C	CM64D	1.03	0.88	1.16
TM9V100C20MP12C	XAFC60H	1.06	0.89	1.19
TM9V100C20MP12C	XAFC60H	1.06	0.89	1.19
TM9V100C20MP12C	XAFD60H	1.06	0.88	1.20
TM9V100C20MP12C	XAFD60H	1.06	0.88	1.20
TM9V100C20MP12C	XAFD60J	1.04	0.90	1.15
TM9V100C20MP12C	XAFD60J	1.04	0.90	1.15
TM9V100C20MP12C	XAHC60H	1.04	0.87	1.19
TM9V100C20MP12C	XAHC60H	1.04	0.87	1.19
TM9V100C20MP12C	XAHD60H	1.05	0.85	1.23
TM9V100C20MP12C	XAHD60H	1.05	0.85	1.23
TM9V100C20MP12C	XAHD60J	1.02	0.89	1.14
TM9V100C20MP12C	XAHD60J	1.02	0.89	1.14
TM9V100C20MP12C	XAUD60H	1.06	0.88	1.20
TM9V120D20MP12C	CF64D	1.02	0.89	1.15
TM9V120D20MP12C	CM64D	1.02	0.89	1.15
TM9V120D20MP12C	XAFD60H	1.05	0.90	1.17
TM9V120D20MP12C	XAFD60H	1.05	0.90	1.17
TM9V120D20MP12C	XAFD60J	1.04	0.91	1.14
TM9V120D20MP12C	XAFD60J	1.04	0.91	1.14
TM9V120D20MP12C	XAHD60H	1.04	0.88	1.18
TM9V120D20MP12C	XAHD60H	1.04	0.88	1.18
TM9V120D20MP12C	XAHD60J	1.02	0.89	1.15
TM9V120D20MP12C	XAHD60J	1.02	0.89	1.15

**Table 37: Heat multiplier furnace - 4 ton**

Furnace model	Indoor coil model	MBH	Cop	kW
TM9V120D20MP12C	XAUD60H	1.05	0.90	1.17
TM9Y080B12MP11	XAFC60H	1.06	0.90	1.18
TM9Y080B12MP11	XAFC60H	1.06	0.90	1.18
TM9Y080B12MP11	XAHC60H	1.04	0.88	1.18
TM9Y080B12MP11	XAHC60H	1.04	0.88	1.18
TM9Y080C16MP11	CF64D	1.02	0.90	1.13
TM9Y080C16MP11	CM64D	1.02	0.90	1.13
TM9Y080C16MP11	XAFC60H	1.06	0.91	1.16
TM9Y080C16MP11	XAFC60H	1.06	0.91	1.16
TM9Y080C16MP11	XAFD60H	1.06	0.90	1.17
TM9Y080C16MP11	XAFD60H	1.06	0.90	1.17
TM9Y080C16MP11	XAFD60J	1.04	0.92	1.12
TM9Y080C16MP11	XAFD60J	1.04	0.92	1.12
TM9Y080C16MP11	XAHC60H	1.04	0.89	1.17
TM9Y080C16MP11	XAHC60H	1.04	0.89	1.17
TM9Y080C16MP11	XAHD60H	1.03	0.88	1.17
TM9Y080C16MP11	XAHD60H	1.03	0.88	1.17
TM9Y080C16MP11	XAHD60J	1.01	0.91	1.12
TM9Y080C16MP11	XAHD60J	1.01	0.91	1.12
TM9Y080C16MP11	XAUD60H	1.06	0.90	1.17
TM9Y100C16MP11	CF64D	1.02	0.90	1.13
TM9Y100C16MP11	CM64D	1.02	0.90	1.13
TM9Y100C16MP11	XAFC60H	1.06	0.91	1.16
TM9Y100C16MP11	XAFC60H	1.06	0.91	1.16
TM9Y100C16MP11	XAFD60H	1.06	0.90	1.17
TM9Y100C16MP11	XAFD60H	1.06	0.90	1.17
TM9Y100C16MP11	XAFD60J	1.03	0.92	1.12
TM9Y100C16MP11	XAFD60J	1.03	0.92	1.12
TM9Y100C16MP11	XAHC60H	1.04	0.89	1.16
TM9Y100C16MP11	XAHC60H	1.04	0.89	1.16
TM9Y100C16MP11	XAHD60H	1.03	0.88	1.17
TM9Y100C16MP11	XAHD60H	1.03	0.88	1.17
TM9Y100C16MP11	XAHD60J	1.01	0.91	1.12
TM9Y100C16MP11	XAHD60J	1.01	0.91	1.12
TM9Y100C16MP11	XAUD60H	1.06	0.90	1.17
TM9Y100C20MP11	XAFC60H	1.06	0.89	1.18
TM9Y100C20MP11	XAFC60H	1.06	0.89	1.18
TM9Y100C20MP11	XAFD60H	1.07	0.86	1.24
TM9Y100C20MP11	XAFD60H	1.07	0.86	1.24
TM9Y100C20MP11	XAFD60J	1.05	0.88	1.20
TM9Y100C20MP11	XAFD60J	1.05	0.88	1.20
TM9Y100C20MP11	XAHC60H	1.05	0.85	1.24
TM9Y100C20MP11	XAHC60H	1.05	0.85	1.24
TM9Y100C20MP11	XAHD60H	1.05	0.84	1.25
TM9Y100C20MP11	XAHD60H	1.05	0.84	1.25
TM9Y100C20MP11	XAHD60J	1.03	0.87	1.19
TM9Y100C20MP11	XAHD60J	1.03	0.87	1.19
TM9Y100C20MP11	XAUD60H	1.07	0.86	1.24
TM9Y120D20MP11	CF64D	1.02	0.89	1.14
TM9Y120D20MP11	CM64D	1.02	0.89	1.14
TM9Y120D20MP11	XAFD60H	1.06	0.89	1.19
TM9Y120D20MP11	XAFD60H	1.06	0.89	1.19
TM9Y120D20MP11	XAFD60J	1.03	0.92	1.12

**Table 37: Heat multiplier furnace - 4 ton**

Furnace model	Indoor coil model	MBH	Cop	kW
TM9Y120D20MP11	XAFD60J	1.03	0.92	1.12
TM9Y120D20MP11	XAHD60H	1.04	0.87	1.19
TM9Y120D20MP11	XAHD60H	1.04	0.87	1.19
TM9Y120D20MP11	XAHD60J	1.01	0.90	1.12
TM9Y120D20MP11	XAHD60J	1.01	0.90	1.12
TM9Y120D20MP11	XAUD60H	1.06	0.89	1.19
TMLE080B12MP11	XAFC60H	1.06	0.90	1.17
TMLE080B12MP11	XAFC60H	1.06	0.90	1.17
TMLE080B12MP11	XAHC60H	1.04	0.88	1.17
TMLE080B12MP11	XAHC60H	1.04	0.88	1.17
TMLE080C16MP11	CF64D	1.02	0.88	1.15
TMLE080C16MP11	CM64D	1.02	0.88	1.15
TMLE080C16MP11	XAFC60H	1.06	0.89	1.18
TMLE080C16MP11	XAFC60H	1.06	0.89	1.18
TMLE080C16MP11	XAFD60H	1.06	0.89	1.19
TMLE080C16MP11	XAFD60H	1.06	0.89	1.19
TMLE080C16MP11	XAFD60J	1.04	0.90	1.15
TMLE080C16MP11	XAFD60J	1.04	0.90	1.15
TMLE080C16MP11	XAHC60H	1.04	0.87	1.19
TMLE080C16MP11	XAHC60H	1.04	0.87	1.19
TMLE080C16MP11	XAHD60H	1.04	0.87	1.19
TMLE080C16MP11	XAHD60H	1.04	0.87	1.19
TMLE080C16MP11	XAHD60J	1.02	0.89	1.15
TMLE080C16MP11	XAHD60J	1.02	0.89	1.15
TMLE080C16MP11	XAUD60H	1.06	0.89	1.19
TMLE080C20MP11	XAFC60H	1.05	0.90	1.17
TMLE080C20MP11	XAFC60H	1.05	0.90	1.17
TMLE080C20MP11	XAFD60H	1.07	0.87	1.22
TMLE080C20MP11	XAFD60H	1.07	0.87	1.22
TMLE080C20MP11	XAFD60J	1.03	0.91	1.13
TMLE080C20MP11	XAFD60J	1.03	0.91	1.13
TMLE080C20MP11	XAHC60H	1.04	0.89	1.17
TMLE080C20MP11	XAHC60H	1.04	0.89	1.17
TMLE080C20MP11	XAHD60H	1.03	0.88	1.17
TMLE080C20MP11	XAHD60H	1.03	0.88	1.17
TMLE080C20MP11	XAHD60J	1.02	0.90	1.14
TMLE080C20MP11	XAHD60J	1.02	0.90	1.14
TMLE080C20MP11	XAUD60H	1.07	0.87	1.22
TMLE100C16MP11	CF64D	1.02	0.88	1.15
TMLE100C16MP11	CM64D	1.02	0.88	1.15
TMLE100C16MP11	XAFC60H	1.06	0.89	1.18
TMLE100C16MP11	XAFC60H	1.06	0.89	1.18
TMLE100C16MP11	XAFD60H	1.06	0.89	1.19
TMLE100C16MP11	XAFD60H	1.06	0.89	1.19
TMLE100C16MP11	XAFD60J	1.04	0.90	1.15
TMLE100C16MP11	XAFD60J	1.04	0.90	1.15
TMLE100C16MP11	XAHC60H	1.04	0.87	1.19
TMLE100C16MP11	XAHC60H	1.04	0.87	1.19
TMLE100C16MP11	XAHD60H	1.04	0.87	1.19
TMLE100C16MP11	XAHD60H	1.04	0.87	1.19
TMLE100C16MP11	XAHD60J	1.02	0.89	1.15
TMLE100C16MP11	XAHD60J	1.02	0.89	1.15
TMLE100C16MP11	XAUD60H	1.06	0.89	1.19

**Table 37: Heat multiplier furnace - 4 ton**

Furnace model	Indoor coil model	MBH	Cop	kW
TMLE100C20MP11	XAFC60H	1.06	0.90	1.17
TMLE100C20MP11	XAFC60H	1.06	0.90	1.17
TMLE100C20MP11	XAFD60H	1.07	0.87	1.22
TMLE100C20MP11	XAFD60H	1.07	0.87	1.22
TMLE100C20MP11	XAFD60J	1.03	0.92	1.12
TMLE100C20MP11	XAFD60J	1.03	0.92	1.12
TMLE100C20MP11	XAHC60H	1.03	0.88	1.17
TMLE100C20MP11	XAHC60H	1.03	0.88	1.17
TMLE100C20MP11	XAHD60H	1.04	0.88	1.17
TMLE100C20MP11	XAHD60H	1.04	0.88	1.17
TMLE100C20MP11	XAHD60J	1.03	0.87	1.18
TMLE100C20MP11	XAHD60J	1.03	0.87	1.18
TMLE100C20MP11	XAUD60H	1.07	0.87	1.22
TMLE120C16MP11	CF64D	1.02	0.88	1.15
TMLE120C16MP11	CM64D	1.02	0.88	1.15
TMLE120C16MP11	XAFC60H	1.06	0.89	1.18
TMLE120C16MP11	XAFC60H	1.06	0.89	1.18
TMLE120C16MP11	XAFD60H	1.06	0.89	1.19
TMLE120C16MP11	XAFD60H	1.06	0.89	1.19
TMLE120C16MP11	XAFD60J	1.04	0.90	1.15
TMLE120C16MP11	XAFD60J	1.04	0.90	1.15
TMLE120C16MP11	XAHC60H	1.03	0.88	1.18
TMLE120C16MP11	XAHC60H	1.03	0.88	1.18
TMLE120C16MP11	XAHD60H	1.04	0.87	1.19
TMLE120C16MP11	XAHD60H	1.04	0.87	1.19
TMLE120C16MP11	XAHD60J	1.02	0.89	1.15
TMLE120C16MP11	XAHD60J	1.02	0.89	1.15
TMLE120C16MP11	XAUD60H	1.06	0.89	1.19
TMLE120C20MP11	XAFC60H	1.06	0.91	1.16
TMLE120C20MP11	XAFC60H	1.06	0.91	1.16
TMLE120C20MP11	XAFD60H	1.06	0.91	1.16
TMLE120C20MP11	XAFD60H	1.06	0.91	1.16
TMLE120C20MP11	XAFD60J	1.04	0.92	1.12
TMLE120C20MP11	XAFD60J	1.04	0.92	1.12
TMLE120C20MP11	XAHC60H	1.03	0.89	1.16
TMLE120C20MP11	XAHC60H	1.03	0.89	1.16
TMLE120C20MP11	XAHD60H	1.04	0.89	1.16
TMLE120C20MP11	XAHD60H	1.04	0.89	1.16
TMLE120C20MP11	XAHD60J	1.01	0.90	1.12
TMLE120C20MP11	XAHD60J	1.01	0.90	1.12
TMLE120C20MP11	XAUD60H	1.06	0.91	1.16
TMLE130D20MP11	XAFD60H	1.06	0.89	1.18
TMLE130D20MP11	XAFD60H	1.06	0.89	1.18
TMLE130D20MP11	XAFD60J	1.04	0.91	1.14
TMLE130D20MP11	XAFD60J	1.04	0.91	1.14
TMLE130D20MP11	XAHD60H	1.04	0.88	1.18
TMLE130D20MP11	XAHD60H	1.04	0.88	1.18
TMLE130D20MP11	XAHD60J	1.02	0.89	1.14
TMLE130D20MP11	XAHD60J	1.02	0.89	1.14
TMLE130D20MP11	XAUD60H	1.06	0.89	1.18
TMLV100C16MP12C	CF64D	1.02	0.90	1.13
TMLV100C16MP12C	CM64D	1.02	0.90	1.13
TMLV100C16MP12C	XAFC60H	1.05	0.91	1.16

**Table 37: Heat multiplier furnace - 4 ton**

Furnace model	Indoor coil model	MBH	Cop	kW
TMLV100C16MP12C	XAFC60H	1.05	0.91	1.16
TMLV100C16MP12C	XAFD60H	1.06	0.89	1.19
TMLV100C16MP12C	XAFD60H	1.06	0.89	1.19
TMLV100C16MP12C	XAFD60J	1.03	0.92	1.11
TMLV100C16MP12C	XAFD60J	1.03	0.92	1.11
TMLV100C16MP12C	XAHC60H	1.03	0.89	1.16
TMLV100C16MP12C	XAHC60H	1.03	0.89	1.16
TMLV100C16MP12C	XAHD60H	1.03	0.88	1.17
TMLV100C16MP12C	XAHD60H	1.03	0.88	1.17
TMLV100C16MP12C	XAHD60J	1.01	0.90	1.12
TMLV100C16MP12C	XAHD60J	1.01	0.90	1.12
TMLV100C16MP12C	XAUD60H	1.06	0.89	1.19
TMLV120C20MP12C	CF64D	1.02	0.90	1.14
TMLV120C20MP12C	CM64D	1.02	0.90	1.14
TMLV120C20MP12C	XAFC60H	1.04	0.92	1.14
TMLV120C20MP12C	XAFC60H	1.04	0.92	1.14
TMLV120C20MP12C	XAFD60J	1.03	0.92	1.12
TMLV120C20MP12C	XAFD60J	1.03	0.92	1.12
TMLV120C20MP12C	XAHC60H	1.03	0.88	1.16
TMLV120C20MP12C	XAHC60H	1.03	0.88	1.16
TMLV120C20MP12C	XAHD60J	1.01	0.91	1.10
TMLV120C20MP12C	XAHD60J	1.01	0.91	1.10
TP9C060B12MP13C	XAHC60H	1.04	0.88	1.18
TP9C060B12MP13C	XAHC60H	1.04	0.88	1.18
TP9C080B12MP13C	XAFC60H	1.05	0.91	1.15
TP9C080B12MP13C	XAFC60H	1.05	0.91	1.15
TP9C080B12MP13C	XAHC60H	1.03	0.89	1.15
TP9C080B12MP13C	XAHC60H	1.03	0.89	1.15
TP9C080C16MP13C	CF64D	1.02	0.89	1.15
TP9C080C16MP13C	CM64D	1.02	0.89	1.15
TP9C080C16MP13C	XAFC60H	1.07	0.89	1.19
TP9C080C16MP13C	XAFC60H	1.07	0.89	1.19
TP9C080C16MP13C	XAFD60H	1.07	0.87	1.22
TP9C080C16MP13C	XAFD60H	1.07	0.87	1.22
TP9C080C16MP13C	XAFD60J	1.04	0.91	1.13
TP9C080C16MP13C	XAFD60J	1.04	0.91	1.13
TP9C080C16MP13C	XAHC60H	1.04	0.88	1.18
TP9C080C16MP13C	XAHC60H	1.04	0.88	1.18
TP9C080C16MP13C	XAHD60H	1.05	0.86	1.22
TP9C080C16MP13C	XAHD60H	1.05	0.86	1.22
TP9C080C16MP13C	XAHD60J	1.02	0.89	1.14
TP9C080C16MP13C	XAHD60J	1.02	0.89	1.14
TP9C080C16MP13C	XAUD60H	1.07	0.87	1.22
TP9C100C16MP13C	CF64D	1.03	0.89	1.16
TP9C100C16MP13C	CM64D	1.03	0.89	1.16
TP9C100C16MP13C	XAFC60H	1.06	0.89	1.18
TP9C100C16MP13C	XAFC60H	1.06	0.89	1.18
TP9C100C16MP13C	XAFD60H	1.06	0.88	1.20
TP9C100C16MP13C	XAFD60H	1.06	0.88	1.20
TP9C100C16MP13C	XAFD60J	1.04	0.90	1.15
TP9C100C16MP13C	XAFD60J	1.04	0.90	1.15
TP9C100C16MP13C	XAHC60H	1.04	0.89	1.17
TP9C100C16MP13C	XAHC60H	1.04	0.89	1.17

**Table 37: Heat multiplier furnace - 4 ton**

Furnace model	Indoor coil model	MBH	Cop	kW
TP9C100C16MP13C	XAHD60H	1.04	0.87	1.20
TP9C100C16MP13C	XAHD60H	1.04	0.87	1.20
TP9C100C16MP13C	XAHD60J	1.03	0.88	1.16
TP9C100C16MP13C	XAHD60J	1.03	0.88	1.16
TP9C100C16MP13C	XAUD60H	1.06	0.88	1.20
TP9C100C20MP13C	CF64D	1.03	0.88	1.16
TP9C100C20MP13C	CM64D	1.03	0.88	1.16
TP9C100C20MP13C	XAFC60H	1.06	0.89	1.19
TP9C100C20MP13C	XAFC60H	1.06	0.89	1.19
TP9C100C20MP13C	XAFD60H	1.06	0.88	1.20
TP9C100C20MP13C	XAFD60H	1.06	0.88	1.20
TP9C100C20MP13C	XAFD60J	1.04	0.90	1.15
TP9C100C20MP13C	XAFD60J	1.04	0.90	1.15
TP9C100C20MP13C	XAHC60H	1.04	0.87	1.19
TP9C100C20MP13C	XAHC60H	1.04	0.87	1.19
TP9C100C20MP13C	XAHD60H	1.05	0.85	1.23
TP9C100C20MP13C	XAHD60H	1.05	0.85	1.23
TP9C100C20MP13C	XAHD60J	1.02	0.89	1.14
TP9C100C20MP13C	XAHD60J	1.02	0.89	1.14
TP9C100C20MP13C	XAUD60H	1.06	0.88	1.20
TP9C120D20MP13C	CF64D	1.02	0.89	1.15
TP9C120D20MP13C	CM64D	1.02	0.89	1.15
TP9C120D20MP13C	XAFD60H	1.05	0.90	1.17
TP9C120D20MP13C	XAFD60H	1.05	0.90	1.17
TP9C120D20MP13C	XAFD60J	1.04	0.91	1.14
TP9C120D20MP13C	XAFD60J	1.04	0.91	1.14
TP9C120D20MP13C	XAHD60H	1.04	0.88	1.18
TP9C120D20MP13C	XAHD60H	1.04	0.88	1.18
TP9C120D20MP13C	XAHD60J	1.02	0.89	1.15
TP9C120D20MP13C	XAHD60J	1.02	0.89	1.15
TP9C120D20MP13C	XAUD60H	1.05	0.90	1.17
TPPLC080C16MP13C	CF64D	1.02	0.90	1.13
TPPLC080C16MP13C	CM64D	1.02	0.90	1.13
TPPLC080C16MP13C	XAFC60H	1.05	0.91	1.16
TPPLC080C16MP13C	XAFC60H	1.05	0.91	1.16
TPPLC080C16MP13C	XAFD60H	1.06	0.89	1.19
TPPLC080C16MP13C	XAFD60H	1.06	0.89	1.19
TPPLC080C16MP13C	XAFD60J	1.03	0.92	1.11
TPPLC080C16MP13C	XAFD60J	1.03	0.92	1.11
TPPLC080C16MP13C	XAHC60H	1.03	0.89	1.16
TPPLC080C16MP13C	XAHC60H	1.03	0.89	1.16
TPPLC080C16MP13C	XAHD60H	1.03	0.88	1.17
TPPLC080C16MP13C	XAHD60H	1.03	0.88	1.17
TPPLC080C16MP13C	XAHD60J	1.01	0.90	1.12
TPPLC080C16MP13C	XAHD60J	1.01	0.90	1.12
TPPLC080C16MP13C	XAUD60H	1.06	0.89	1.19
TPPLC100C16MP13C	CF64D	1.02	0.90	1.13
TPPLC100C16MP13C	CM64D	1.02	0.90	1.13
TPPLC100C16MP13C	XAFC60H	1.05	0.91	1.16
TPPLC100C16MP13C	XAFC60H	1.05	0.91	1.16
TPPLC100C16MP13C	XAFD60H	1.06	0.89	1.19
TPPLC100C16MP13C	XAFD60H	1.06	0.89	1.19
TPPLC100C16MP13C	XAFD60J	1.03	0.92	1.11

**Table 37: Heat multiplier furnace - 4 ton**

Furnace model	Indoor coil model	MBH	Cop	kW
TPLC100C16MP13C	XAFD60J	1.03	0.92	1.11
TPLC100C16MP13C	XAHC60H	1.03	0.89	1.16
TPLC100C16MP13C	XAHC60H	1.03	0.89	1.16
TPLC100C16MP13C	XAHD60H	1.03	0.88	1.17
TPLC100C16MP13C	XAHD60H	1.03	0.88	1.17
TPLC100C16MP13C	XAHD60J	1.01	0.90	1.12
TPLC100C16MP13C	XAHD60J	1.01	0.90	1.12
TPLC100C16MP13C	XAUD60H	1.06	0.89	1.19
TPLC100C20MP13C	CF64D	1.02	0.90	1.14
TPLC100C20MP13C	CM64D	1.02	0.90	1.14
TPLC100C20MP13C	XAFC60H	1.04	0.92	1.14
TPLC100C20MP13C	XAFC60H	1.04	0.92	1.14
TPLC100C20MP13C	XAFD60J	1.03	0.92	1.12
TPLC100C20MP13C	XAFD60J	1.03	0.92	1.12
TPLC100C20MP13C	XAHC60H	1.03	0.88	1.16
TPLC100C20MP13C	XAHC60H	1.03	0.88	1.16
TPLC100C20MP13C	XAHD60J	1.01	0.91	1.10
TPLC100C20MP13C	XAHD60J	1.01	0.91	1.10
TPLC120C20MP13C	CF64D	1.02	0.90	1.14
TPLC120C20MP13C	CM64D	1.02	0.90	1.14
TPLC120C20MP13C	XAFC60H	1.04	0.92	1.14
TPLC120C20MP13C	XAFC60H	1.04	0.92	1.14
TPLC120C20MP13C	XAFD60J	1.03	0.92	1.12
TPLC120C20MP13C	XAFD60J	1.03	0.92	1.12
TPLC120C20MP13C	XAHC60H	1.03	0.88	1.16
TPLC120C20MP13C	XAHC60H	1.03	0.88	1.16
TPLC120C20MP13C	XAHD60J	1.01	0.91	1.10
TPLC120C20MP13C	XAHD60J	1.01	0.91	1.10
YP9C060B12MP13C	XAHC60H	1.04	0.88	1.18
YP9C060B12MP13C	XAHC60H	1.04	0.88	1.18
YP9C080B12MP13C	XAFC60H	1.05	0.91	1.15
YP9C080B12MP13C	XAFC60H	1.05	0.91	1.15
YP9C080B12MP13C	XAHC60H	1.03	0.89	1.15
YP9C080B12MP13C	XAHC60H	1.03	0.89	1.15
YP9C080C16MP13C	CF64D	1.02	0.89	1.15
YP9C080C16MP13C	CM64D	1.02	0.89	1.15
YP9C080C16MP13C	XAFC60H	1.07	0.89	1.19
YP9C080C16MP13C	XAFC60H	1.07	0.89	1.19
YP9C080C16MP13C	XAFD60H	1.07	0.87	1.22
YP9C080C16MP13C	XAFD60H	1.07	0.87	1.22
YP9C080C16MP13C	XAFD60J	1.04	0.91	1.13
YP9C080C16MP13C	XAFD60J	1.04	0.91	1.13
YP9C080C16MP13C	XAHC60H	1.04	0.88	1.18
YP9C080C16MP13C	XAHC60H	1.04	0.88	1.18
YP9C080C16MP13C	XAHD60H	1.05	0.86	1.22
YP9C080C16MP13C	XAHD60H	1.05	0.86	1.22
YP9C080C16MP13C	XAHD60J	1.02	0.89	1.14
YP9C080C16MP13C	XAHD60J	1.02	0.89	1.14
YP9C080C16MP13C	XAUD60H	1.07	0.87	1.22
YP9C100C16MP13C	CF64D	1.03	0.89	1.16
YP9C100C16MP13C	CM64D	1.03	0.89	1.16
YP9C100C16MP13C	XAFC60H	1.06	0.89	1.18
YP9C100C16MP13C	XAFC60H	1.06	0.89	1.18

**Table 37: Heat multiplier furnace - 4 ton**

Furnace model	Indoor coil model	MBH	Cop	kW
YP9C100C16MP13C	XAFD60H	1.06	0.88	1.20
YP9C100C16MP13C	XAFD60H	1.06	0.88	1.20
YP9C100C16MP13C	XAFD60J	1.04	0.90	1.15
YP9C100C16MP13C	XAFD60J	1.04	0.90	1.15
YP9C100C16MP13C	XAHC60H	1.04	0.89	1.17
YP9C100C16MP13C	XAHC60H	1.04	0.89	1.17
YP9C100C16MP13C	XAHD60H	1.04	0.87	1.20
YP9C100C16MP13C	XAHD60H	1.04	0.87	1.20
YP9C100C16MP13C	XAHD60J	1.03	0.88	1.16
YP9C100C16MP13C	XAHD60J	1.03	0.88	1.16
YP9C100C16MP13C	XAUD60H	1.06	0.88	1.20
YP9C100C20MP13C	CF64D	1.03	0.88	1.16
YP9C100C20MP13C	CM64D	1.03	0.88	1.16
YP9C100C20MP13C	XAFC60H	1.06	0.89	1.19
YP9C100C20MP13C	XAFC60H	1.06	0.89	1.19
YP9C100C20MP13C	XAFD60H	1.06	0.88	1.20
YP9C100C20MP13C	XAFD60H	1.06	0.88	1.20
YP9C100C20MP13C	XAFD60J	1.04	0.90	1.15
YP9C100C20MP13C	XAFD60J	1.04	0.90	1.15
YP9C100C20MP13C	XAHC60H	1.04	0.87	1.19
YP9C100C20MP13C	XAHC60H	1.04	0.87	1.19
YP9C100C20MP13C	XAHD60H	1.05	0.85	1.23
YP9C100C20MP13C	XAHD60H	1.05	0.85	1.23
YP9C100C20MP13C	XAHD60J	1.02	0.89	1.14
YP9C100C20MP13C	XAHD60J	1.02	0.89	1.14
YP9C100C20MP13C	XAUD60H	1.06	0.88	1.20
YP9C120D20MP13C	CF64D	1.02	0.89	1.15
YP9C120D20MP13C	CM64D	1.02	0.89	1.15
YP9C120D20MP13C	XAFD60H	1.05	0.90	1.17
YP9C120D20MP13C	XAFD60H	1.05	0.90	1.17
YP9C120D20MP13C	XAFD60J	1.04	0.91	1.14
YP9C120D20MP13C	XAFD60J	1.04	0.91	1.14
YP9C120D20MP13C	XAHD60H	1.04	0.88	1.18
YP9C120D20MP13C	XAHD60H	1.04	0.88	1.18
YP9C120D20MP13C	XAHD60J	1.02	0.89	1.15
YP9C120D20MP13C	XAHD60J	1.02	0.89	1.15
YP9C120D20MP13C	XAUD60H	1.05	0.90	1.17
YPLC080C16MP13C	CF64D	1.02	0.90	1.13
YPLC080C16MP13C	CM64D	1.02	0.90	1.13
YPLC080C16MP13C	XAFC60H	1.05	0.91	1.16
YPLC080C16MP13C	XAFC60H	1.05	0.91	1.16
YPLC080C16MP13C	XAFD60H	1.06	0.89	1.19
YPLC080C16MP13C	XAFD60H	1.06	0.89	1.19
YPLC080C16MP13C	XAFD60J	1.03	0.92	1.11
YPLC080C16MP13C	XAFD60J	1.03	0.92	1.11
YPLC080C16MP13C	XAHC60H	1.03	0.89	1.16
YPLC080C16MP13C	XAHC60H	1.03	0.89	1.16
YPLC080C16MP13C	XAHD60H	1.03	0.88	1.17
YPLC080C16MP13C	XAHD60H	1.03	0.88	1.17
YPLC080C16MP13C	XAHD60J	1.01	0.90	1.12
YPLC080C16MP13C	XAHD60J	1.01	0.90	1.12
YPLC080C16MP13C	XAUD60H	1.06	0.89	1.19
YPLC100C16MP13C	CF64D	1.02	0.90	1.13



**Table 37: Heat multiplier furnace - 4 ton**

Furnace model	Indoor coil model	MBH	Cop	kW
YPLC100C16MP13C	CM64D	1.02	0.90	1.13
YPLC100C16MP13C	XAFC60H	1.05	0.91	1.16
YPLC100C16MP13C	XAFC60H	1.05	0.91	1.16
YPLC100C16MP13C	XAFD60H	1.06	0.89	1.19
YPLC100C16MP13C	XAFD60H	1.06	0.89	1.19
YPLC100C16MP13C	XAFD60J	1.03	0.92	1.11
YPLC100C16MP13C	XAFD60J	1.03	0.92	1.11
YPLC100C16MP13C	XAHC60H	1.03	0.89	1.16
YPLC100C16MP13C	XAHC60H	1.03	0.89	1.16
YPLC100C16MP13C	XAHD60H	1.03	0.88	1.17
YPLC100C16MP13C	XAHD60H	1.03	0.88	1.17
YPLC100C16MP13C	XAHD60J	1.01	0.90	1.12
YPLC100C16MP13C	XAHD60J	1.01	0.90	1.12
YPLC100C16MP13C	XAUD60H	1.06	0.89	1.19
YPLC100C20MP13C	CF64D	1.02	0.90	1.14
YPLC100C20MP13C	CM64D	1.02	0.90	1.14
YPLC100C20MP13C	XAFC60H	1.04	0.92	1.14
YPLC100C20MP13C	XAFC60H	1.04	0.92	1.14
YPLC100C20MP13C	XAFD60J	1.03	0.92	1.12
YPLC100C20MP13C	XAFD60J	1.03	0.92	1.12
YPLC100C20MP13C	XAHC60H	1.03	0.88	1.16
YPLC100C20MP13C	XAHC60H	1.03	0.88	1.16
YPLC100C20MP13C	XAHD60J	1.01	0.91	1.10
YPLC100C20MP13C	XAHD60J	1.01	0.91	1.10
YPLC120C20MP13C	CF64D	1.02	0.90	1.14
YPLC120C20MP13C	CM64D	1.02	0.90	1.14
YPLC120C20MP13C	XAFC60H	1.04	0.92	1.14
YPLC120C20MP13C	XAFC60H	1.04	0.92	1.14
YPLC120C20MP13C	XAFD60J	1.03	0.92	1.12
YPLC120C20MP13C	XAFD60J	1.03	0.92	1.12
YPLC120C20MP13C	XAHC60H	1.03	0.88	1.16
YPLC120C20MP13C	XAHC60H	1.03	0.88	1.16
YPLC120C20MP13C	XAHD60J	1.01	0.91	1.10
YPLC120C20MP13C	XAHD60J	1.01	0.91	1.10

## Performance data - 5 ton

### Cooling performance data - 5 ton

**Table 38: Cooling performance data - 5 ton**

Air temperature entering outdoor unit (°F)	Indoor CFM	1500					1750					2000				
	Indoor dry bulb (°F)	80	80	75	80	80	80	80	75	80	80	80	80	75	80	80
	Indoor wet bulb (°F)	57	62	62	67	72	57	62	62	67	72	57	62	62	67	72
55	Total capacity	55.0	60.3	60.2	64.2	67.4	56.5	61.4	61.5	65.0	68.0	58.8	63.1	63.4	66.2	68.8
55	Sensible capacity	53.4	46.9	40.9	39.6	32.4	55.6	48.8	42.4	40.8	33.2	58.8	51.6	44.6	42.6	34.5
55	kW	4.47	4.49	4.49	4.54	4.58	4.54	4.59	4.58	4.63	4.66	4.65	4.73	4.71	4.75	4.78
65	Total capacity	52.8	57.6	57.3	61.3	64.4	54.3	58.6	58.4	62.0	64.9	56.6	60.2	60.2	63.2	65.7
65	Sensible capacity	52.4	46.4	40.1	38.8	31.8	54.1	48.4	41.7	40.1	32.6	56.6	51.5	44.1	42.0	33.8
65	kW	4.93	4.96	4.96	5.04	5.09	5.01	5.06	5.05	5.13	5.17	5.12	5.21	5.19	5.26	5.31
75	Total capacity	50.6	54.8	54.3	58.4	61.5	52.1	55.8	55.4	59.1	61.9	54.4	57.4	57.0	60.2	62.6
75	Sensible capacity	50.6	45.7	39.1	38.0	31.2	52.1	47.9	40.8	39.3	32.0	54.4	51.1	43.4	41.4	33.1
75	kW	5.39	5.42	5.42	5.53	5.59	5.47	5.53	5.52	5.62	5.69	5.60	5.69	5.67	5.77	5.83
85	Total capacity	48.4	52.0	51.4	55.4	58.5	49.9	53.0	52.4	56.2	58.9	52.2	54.5	53.8	57.3	59.5
85	Sensible capacity	48.4	45.0	38.0	37.0	30.5	49.9	47.2	39.8	38.5	31.2	52.2	50.6	42.5	40.6	32.2
85	kW	5.85	5.89	5.89	6.02	6.10	5.94	6.01	5.99	6.12	6.20	6.07	6.17	6.15	6.27	6.36
95	Total capacity	46.2	49.3	48.5	52.5	55.5	47.7	50.2	49.3	53.2	55.9	50.0	51.7	50.6	54.3	56.4
95	Sensible capacity	46.2	44.0	36.8	36.0	29.8	47.7	46.3	38.7	37.5	30.4	50.0	49.8	41.4	39.7	31.3
95	kW	6.31	6.36	6.35	6.51	6.60	6.40	6.48	6.46	6.62	6.72	6.54	6.66	6.63	6.78	6.89
105	Total capacity	42.9	44.7	44.0	48.2	49.2	44.3	44.7	44.3	47.8	48.8	46.3	44.7	44.6	47.3	48.2
105	Sensible capacity	42.9	41.6	35.2	34.2	27.9	44.3	42.9	36.8	39.4	36.1	46.3	44.7	39.2	47.3	48.2
105	kW	6.51	6.72	6.81	6.82	6.58	6.54	6.75	6.83	6.81	6.37	6.57	6.79	6.87	6.80	6.04
115	Total capacity	34.3	33.7	33.5	36.9	37.3	35.1	33.9	33.6	36.8	37.0	36.3	34.2	33.8	36.6	36.5
115	Sensible capacity	34.3	33.7	30.4	29.9	21.5	35.1	33.9	31.8	32.6	27.5	36.3	34.2	33.8	36.6	36.5
115	kW	5.45	5.53	5.40	5.54	5.40	5.52	5.55	5.50	5.59	5.21	5.62	5.57	5.64	5.66	4.92

## Multipliers for determining the performance with other indoor sections

### Cool multiplier airhandler - 5 ton

**Table 39: Cool multiplier air handler - 5 ton**

Air handler model	Indoor coil model	Total capacity	Sensible capacity	kW
AE60D	—	0.95	0.94	1.05
AE60D	—	0.95	0.94	1.05
AE60DX21	—	0.95	0.94	1.05
AE60DX21	—	0.95	0.94	1.05
AVC60DX21	—	0.94	0.91	1.08
AVC60DX21	—	0.94	0.91	1.08
JHETD60JBCS2N1	—	0.98	0.97	1.07
JHETD60JXS2N1	—	0.96	0.95	1.06
JHVTD60JBCC2N1	—	0.97	0.96	1.06
JHVTD60JXC2N1	—	0.97	0.96	1.06
JMET18DS2N1A	XAFD60J	0.97	0.96	1.07
JMET18DS2N1A	XAFD60J	0.97	0.96	1.07
JMET18DS2N1A	XAHD60J	0.94	0.93	1.07
JMET18DS2N1A	XAHD60J	0.94	0.93	1.07
JMVT20DC2N1A	XAFD60J	0.96	0.94	1.05
JMVT20DC2N1A	XAFD60J	0.96	0.94	1.05
JMVT20DC2N1A	XAHD60J	0.95	0.94	1.07
JMVT20DC2N1A	XAHD60J	0.95	0.94	1.07
ME20DN21	CF64D	0.95	0.92	1.07
ME20DN21	CM64D	0.95	0.92	1.07
ME20DN21	XAFD60J	0.95	0.94	1.09

**Table 39: Cool multiplier air handler - 5 ton**

Air handler model	Indoor coil model	Total capacity	Sensible capacity	kW
ME20DN21	XAFD60J	0.95	0.94	1.09
ME20DN21	XAHD60J	0.93	0.92	1.09
ME20DN21	XAHD60J	0.93	0.92	1.09
MVC20DN21	CF64D	0.95	0.92	1.07
MVC20DN21	CM64D	0.95	0.92	1.07
MVC20DN21	XAFD60J	0.95	0.94	1.09
MVC20DN21	XAFD60J	0.95	0.94	1.09
MVC20DN21	XAHD60J	0.93	0.91	1.09
MVC20DN21	XAHD60J	0.93	0.91	1.09

## Cool multiplier furnace - 5 ton

**Table 40: Cool multiplier furnace - 5 ton**

Furnace model	Indoor coil model	Total capacity	Sensible capacity	kW
TL8E080C16UH11	CF64D	0.94	0.91	1.07
TL8E080C16UH11	CM64D	0.94	0.91	1.07
TL8E080C16UH11	XAFD60J	0.95	0.93	1.09
TL8E080C16UH11	XAFD60J	0.95	0.93	1.09
TL8E080C16UH11	XAHD60J	0.93	0.91	1.09
TL8E080C16UH11	XAHD60J	0.93	0.91	1.09
TL8E100C20UH11	CF64D	0.95	0.92	1.06
TL8E100C20UH11	CM64D	0.95	0.92	1.06
TL8E100C20UH11	XAFD60J	0.96	0.94	1.08
TL8E100C20UH11	XAFD60J	0.96	0.94	1.08
TL8E100C20UH11	XAHD60J	0.93	0.91	1.07
TL8E100C20UH11	XAHD60J	0.93	0.91	1.07
TL9E100C20UH11	CF64D	0.95	0.92	1.07
TL9E100C20UH11	CM64D	0.95	0.92	1.07
TL9E100C20UH11	XAFD60J	0.96	0.94	1.08
TL9E100C20UH11	XAFD60J	0.96	0.94	1.08
TL9E100C20UH11	XAHD60J	0.93	0.91	1.09
TL9E100C20UH11	XAHD60J	0.93	0.91	1.09
TM8E080C16MP11	CF64D	0.95	0.92	1.07
TM8E080C16MP11	CM64D	0.95	0.92	1.07
TM8E080C16MP11	XAFD60J	0.95	0.93	1.09
TM8E080C16MP11	XAFD60J	0.95	0.93	1.09
TM8E080C16MP11	XAHD60J	0.93	0.91	1.08
TM8E080C16MP11	XAHD60J	0.93	0.91	1.08
TM8E080C20MP11	CF64D	0.95	0.92	1.06
TM8E080C20MP11	CM64D	0.95	0.92	1.06
TM8E080C20MP11	XAFD60J	0.95	0.93	1.07
TM8E080C20MP11	XAFD60J	0.95	0.93	1.07
TM8E080C20MP11	XAHD60J	0.94	0.92	1.08
TM8E080C20MP11	XAHD60J	0.94	0.92	1.08
TM8E100C16MP11	CF64D	0.95	0.92	1.07
TM8E100C16MP11	CM64D	0.95	0.92	1.07
TM8E100C16MP11	XAFD60J	0.95	0.93	1.09
TM8E100C16MP11	XAFD60J	0.95	0.93	1.09
TM8E100C16MP11	XAHD60J	0.93	0.91	1.08
TM8E100C16MP11	XAHD60J	0.93	0.91	1.08
TM8E100C20MP11	CF64D	0.94	0.91	1.08
TM8E100C20MP11	CM64D	0.94	0.91	1.08
TM8E100C20MP11	XAFD60J	0.96	0.94	1.07

**Table 40: Cool multiplier furnace - 5 ton**

Furnace model	Indoor coil model	Total capacity	Sensible capacity	kW
TM8E100C20MP11	XAFD60J	0.96	0.94	1.07
TM8E100C20MP11	XAHD60J	0.93	0.91	1.07
TM8E100C20MP11	XAHD60J	0.93	0.91	1.07
TM8E120C16MP11	CF64D	0.95	0.92	1.07
TM8E120C16MP11	CM64D	0.95	0.92	1.07
TM8E120C16MP11	XAFD60J	0.95	0.93	1.09
TM8E120C16MP11	XAFD60J	0.95	0.93	1.09
TM8E120C16MP11	XAHD60J	0.93	0.91	1.09
TM8E120C16MP11	XAHD60J	0.93	0.91	1.09
TM8E120C20MP11	CF64D	0.95	0.93	1.06
TM8E120C20MP11	CM64D	0.95	0.93	1.06
TM8V100C20MP12C	CF64D	0.94	0.91	1.08
TM8V100C20MP12C	CM64D	0.94	0.91	1.08
TM8V100C20MP12C	XAFD60J	0.95	0.93	1.07
TM8V100C20MP12C	XAFD60J	0.95	0.93	1.07
TM8V120C20MP12C	CF64D	0.94	0.91	1.08
TM8V120C20MP12C	CM64D	0.94	0.91	1.08
TM8V120C20MP12C	XAFD60J	0.95	0.93	1.1
TM8V120C20MP12C	XAFD60J	0.95	0.93	1.1
TM8Y080C16MP11	CF64D	0.95	0.92	1.07
TM8Y080C16MP11	CM64D	0.95	0.92	1.07
TM8Y080C16MP11	XAFD60J	0.95	0.93	1.09
TM8Y080C16MP11	XAFD60J	0.95	0.93	1.09
TM8Y080C16MP11	XAHD60J	0.93	0.91	1.09
TM8Y080C16MP11	XAHD60J	0.93	0.91	1.09
TM8Y100C16MP11	XAFD60J	0.95	0.93	1.09
TM8Y100C16MP11	XAFD60J	0.95	0.93	1.09
TM8Y100C16MP11	XAHD60J	0.93	0.91	1.09
TM8Y100C16MP11	XAHD60J	0.93	0.91	1.09
TM8Y100C20MP11	CF64D	0.95	0.93	1.06
TM8Y100C20MP11	CM64D	0.95	0.93	1.06
TM8Y100C20MP11	XAFD60J	0.95	0.93	1.07
TM8Y100C20MP11	XAFD60J	0.95	0.93	1.07
TM8Y100C20MP11	XAHD60J	0.94	0.92	1.08
TM8Y100C20MP11	XAHD60J	0.94	0.92	1.08
TM8Y120C20MP11	CF64D	0.95	0.93	1.06
TM8Y120C20MP11	CM64D	0.95	0.93	1.06
TM8Y120C20MP11	XAFD60J	0.95	0.93	1.07
TM8Y120C20MP11	XAFD60J	0.95	0.93	1.07
TM8Y120C20MP11	XAHD60J	0.94	0.92	1.08
TM8Y120C20MP11	XAHD60J	0.94	0.92	1.08
TM9E080C20MP12	CF64D	0.94	0.91	1.08
TM9E080C20MP12	CM64D	0.94	0.91	1.08
TM9E080C20MP12	XAFD60J	0.95	0.93	1.1
TM9E080C20MP12	XAFD60J	0.95	0.93	1.1
TM9E080C20MP12	XAHD60J	0.93	0.91	1.1
TM9E080C20MP12	XAHD60J	0.93	0.91	1.1
TM9E100C16MP12	XAFD60J	0.97	0.95	1.11
TM9E100C16MP12	XAFD60J	0.97	0.95	1.11
TM9E100C20MP12	CF64D	0.94	0.92	1.08
TM9E100C20MP12	CM64D	0.94	0.92	1.08
TM9E100C20MP12	XAFD60J	0.95	0.93	1.09
TM9E100C20MP12	XAFD60J	0.95	0.93	1.09

**Table 40: Cool multiplier furnace - 5 ton**

Furnace model	Indoor coil model	Total capacity	Sensible capacity	kW
TM9E100C20MP12	XAHD60J	0.92	0.9	1.09
TM9E100C20MP12	XAHD60J	0.92	0.9	1.09
TM9E120D20MP12	CF64D	0.94	0.92	1.08
TM9E120D20MP12	CM64D	0.94	0.92	1.08
TM9E120D20MP12	XAFD60J	0.94	0.92	1.1
TM9E120D20MP12	XAFD60J	0.94	0.92	1.1
TM9E120D20MP12	XAHD60J	0.93	0.91	1.09
TM9E120D20MP12	XAHD60J	0.93	0.91	1.09
TM9V080C16MP12C	CF64D	0.95	0.92	1.09
TM9V080C16MP12C	CM64D	0.95	0.92	1.09
TM9V100C16MP12C	CF64D	0.95	0.92	1.08
TM9V100C16MP12C	CM64D	0.95	0.92	1.08
TM9V100C16MP12C	XAFD60J	0.95	0.93	1.09
TM9V100C16MP12C	XAFD60J	0.95	0.93	1.09
TM9V100C16MP12C	XAHD60J	0.93	0.91	1.1
TM9V100C16MP12C	XAHD60J	0.93	0.91	1.1
TM9V100C20MP12C	CF64D	0.95	0.92	1.07
TM9V100C20MP12C	CM64D	0.95	0.92	1.07
TM9V100C20MP12C	XAFD60J	0.95	0.93	1.09
TM9V100C20MP12C	XAFD60J	0.95	0.93	1.09
TM9V100C20MP12C	XAHD60J	0.93	0.91	1.1
TM9V100C20MP12C	XAHD60J	0.93	0.91	1.1
TM9V120D20MP12C	CF64D	0.95	0.92	1.09
TM9V120D20MP12C	CM64D	0.95	0.92	1.09
TM9V120D20MP12C	XAFD60J	0.95	0.93	1.1
TM9V120D20MP12C	XAFD60J	0.95	0.93	1.1
TM9V120D20MP12C	XAHD60J	0.93	0.91	1.08
TM9V120D20MP12C	XAHD60J	0.93	0.91	1.08
TM9Y100C20MP11	CF64D	0.94	0.91	1.07
TM9Y100C20MP11	CM64D	0.94	0.91	1.07
TM9Y100C20MP11	XAFD60J	0.95	0.93	1.08
TM9Y100C20MP11	XAFD60J	0.95	0.93	1.08
TM9Y100C20MP11	XAHD60J	0.93	0.91	1.08
TM9Y100C20MP11	XAHD60J	0.93	0.91	1.08
TM9Y120D20MP11	CF64D	0.95	0.92	1.07
TM9Y120D20MP11	CM64D	0.95	0.92	1.07
TM9Y120D20MP11	XAFD60J	0.95	0.93	1.07
TM9Y120D20MP11	XAFD60J	0.95	0.93	1.07
TM9Y120D20MP11	XAHD60J	0.94	0.92	1.08
TM9Y120D20MP11	XAHD60J	0.94	0.92	1.08
TMLE080C16MP11	CF64D	0.95	0.92	1.07
TMLE080C16MP11	CM64D	0.95	0.92	1.07
TMLE080C16MP11	XAFD60J	0.95	0.93	1.09
TMLE080C16MP11	XAFD60J	0.95	0.93	1.09
TMLE080C16MP11	XAHD60J	0.93	0.91	1.08
TMLE080C16MP11	XAHD60J	0.93	0.91	1.08
TMLE080C20MP11	CF64D	0.95	0.92	1.06
TMLE080C20MP11	CM64D	0.95	0.92	1.06
TMLE080C20MP11	XAFD60J	0.95	0.93	1.07
TMLE080C20MP11	XAFD60J	0.95	0.93	1.07
TMLE080C20MP11	XAHD60J	0.94	0.92	1.08
TMLE080C20MP11	XAHD60J	0.94	0.92	1.08
TMLE100C16MP11	CF64D	0.95	0.92	1.07

**Table 40: Cool multiplier furnace - 5 ton**

Furnace model	Indoor coil model	Total capacity	Sensible capacity	kW
TMLE100C16MP11	CM64D	0.95	0.92	1.07
TMLE100C16MP11	XAFD60J	0.95	0.93	1.09
TMLE100C16MP11	XAFD60J	0.95	0.93	1.09
TMLE100C16MP11	XAHD60J	0.93	0.91	1.08
TMLE100C16MP11	XAHD60J	0.93	0.91	1.08
TMLE100C20MP11	CF64D	0.94	0.91	1.08
TMLE100C20MP11	CM64D	0.94	0.91	1.08
TMLE100C20MP11	XAFD60J	0.96	0.94	1.07
TMLE100C20MP11	XAFD60J	0.96	0.94	1.07
TMLE100C20MP11	XAHD60J	0.93	0.91	1.07
TMLE100C20MP11	XAHD60J	0.93	0.91	1.07
TMLE120C16MP11	CF64D	0.95	0.92	1.07
TMLE120C16MP11	CM64D	0.95	0.92	1.07
TMLE120C16MP11	XAFD60J	0.95	0.93	1.09
TMLE120C16MP11	XAFD60J	0.95	0.93	1.09
TMLE120C16MP11	XAHD60J	0.93	0.91	1.09
TMLE120C16MP11	XAHD60J	0.93	0.91	1.09
TMLE120C20MP11	CF64D	0.95	0.93	1.06
TMLE120C20MP11	CM64D	0.95	0.93	1.06
TMLV120C20MP12C	CF64D	0.94	0.91	1.08
TMLV120C20MP12C	CM64D	0.94	0.91	1.08
TMLV120C20MP12C	XAFD60J	0.95	0.93	1.1
TMLV120C20MP12C	XAFD60J	0.95	0.93	1.1
TP9C080C16MP13C	CF64D	0.95	0.92	1.09
TP9C080C16MP13C	CM64D	0.95	0.92	1.09
TP9C100C16MP13C	CF64D	0.95	0.92	1.08
TP9C100C16MP13C	CM64D	0.95	0.92	1.08
TP9C100C16MP13C	XAFD60J	0.95	0.93	1.09
TP9C100C16MP13C	XAFD60J	0.95	0.93	1.09
TP9C100C16MP13C	XAHD60J	0.93	0.91	1.1
TP9C100C16MP13C	XAHD60J	0.93	0.91	1.1
TP9C100C20MP13C	CF64D	0.95	0.92	1.07
TP9C100C20MP13C	CM64D	0.95	0.92	1.07
TP9C100C20MP13C	XAFD60J	0.95	0.93	1.09
TP9C100C20MP13C	XAFD60J	0.95	0.93	1.09
TP9C100C20MP13C	XAHD60J	0.93	0.91	1.1
TP9C100C20MP13C	XAHD60J	0.93	0.91	1.1
TP9C120D20MP13C	CF64D	0.95	0.92	1.09
TP9C120D20MP13C	CM64D	0.95	0.92	1.09
TP9C120D20MP13C	XAFD60J	0.95	0.93	1.1
TP9C120D20MP13C	XAFD60J	0.95	0.93	1.1
TP9C120D20MP13C	XAHD60J	0.93	0.91	1.08
TP9C120D20MP13C	XAHD60J	0.93	0.91	1.08
TPLC100C20MP13C	CF64D	0.94	0.91	1.08
TPLC100C20MP13C	CM64D	0.94	0.91	1.08
TPLC100C20MP13C	XAFD60J	0.95	0.93	1.1
TPLC100C20MP13C	XAFD60J	0.95	0.93	1.1
TPLC120C20MP13C	CF64D	0.94	0.91	1.08
TPLC120C20MP13C	CM64D	0.94	0.91	1.08
TPLC120C20MP13C	XAFD60J	0.95	0.93	1.1
TPLC120C20MP13C	XAFD60J	0.95	0.93	1.1
YP9C080C16MP13C	CF64D	0.95	0.92	1.09
YP9C080C16MP13C	CM64D	0.95	0.92	1.09

**Table 40: Cool multiplier furnace - 5 ton**

Furnace model	Indoor coil model	Total capacity	Sensible capacity	kW
YP9C100C16MP13C	CF64D	0.95	0.92	1.08
YP9C100C16MP13C	CM64D	0.95	0.92	1.08
YP9C100C16MP13C	XAFD60J	0.95	0.93	1.09
YP9C100C16MP13C	XAFD60J	0.95	0.93	1.09
YP9C100C16MP13C	XAHD60J	0.93	0.91	1.1
YP9C100C16MP13C	XAHD60J	0.93	0.91	1.1
YP9C100C20MP13C	CF64D	0.95	0.92	1.07
YP9C100C20MP13C	CM64D	0.95	0.92	1.07
YP9C100C20MP13C	XAFD60J	0.95	0.93	1.09
YP9C100C20MP13C	XAFD60J	0.95	0.93	1.09
YP9C100C20MP13C	XAHD60J	0.93	0.91	1.1
YP9C100C20MP13C	XAHD60J	0.93	0.91	1.1
YP9C120D20MP13C	CF64D	0.95	0.92	1.09
YP9C120D20MP13C	CM64D	0.95	0.92	1.09
YP9C120D20MP13C	XAFD60J	0.95	0.93	1.1
YP9C120D20MP13C	XAFD60J	0.95	0.93	1.1
YP9C120D20MP13C	XAHD60J	0.93	0.91	1.08
YP9C120D20MP13C	XAHD60J	0.93	0.91	1.08
YPLC100C20MP13C	CF64D	0.94	0.91	1.08
YPLC100C20MP13C	CM64D	0.94	0.91	1.08
YPLC100C20MP13C	XAFD60J	0.95	0.93	1.1
YPLC100C20MP13C	XAFD60J	0.95	0.93	1.1
YPLC120C20MP13C	CF64D	0.94	0.91	1.08
YPLC120C20MP13C	CM64D	0.94	0.91	1.08
YPLC120C20MP13C	XAFD60J	0.95	0.93	1.1
YPLC120C20MP13C	XAFD60J	0.95	0.93	1.1

## Heating performance data - 5 ton

**Table 41: Heating performance data - 5 ton**

Air temperature entering outdoor unit (°F)	Air temperature entering indoor unit (°F)	1500			1750			2000		
		MBH	COP	KW	MBH	COP	KW	MBH	COP	KW
60	60	62.70	3.65	5.03	63.40	3.75	4.95	64.20	3.86	4.87
60	70	59.90	3.26	5.38	61.10	3.37	5.31	64.30	3.60	5.24
60	80	58.90	2.99	5.77	61.70	3.16	5.73	64.50	3.32	5.70
47	60	55.20	3.37	4.80	56.10	3.46	4.75	57.10	3.57	4.69
47	70	52.40	3.01	5.10	53.50	3.10	5.06	54.60	3.19	5.02
47	80	50.70	2.73	5.44	53.50	2.88	5.44	56.30	3.03	5.44
40	60	51.20	3.21	4.67	52.20	3.30	4.63	53.20	3.39	4.60
40	70	48.40	2.87	4.95	49.40	2.94	4.93	52.50	3.14	4.90
40	80	46.30	2.57	5.27	49.10	2.73	5.28	51.80	2.86	5.30
30	60	45.40	2.97	4.48	46.60	3.06	4.47	47.80	3.14	4.46
30	70	42.70	2.64	4.74	43.60	2.70	4.73	46.70	2.89	4.73
30	80	40.00	2.33	5.02	42.80	2.48	5.06	45.50	2.61	5.10
17	60	37.90	2.62	4.24	39.30	2.70	4.26	40.70	2.79	4.28
17	70	35.20	2.31	4.46	36.00	2.35	4.49	39.00	2.53	4.51
17	80	31.80	1.98	4.70	34.60	2.13	4.77	37.30	2.26	4.84
10	60	33.90	2.41	4.12	35.40	2.50	4.15	36.90	2.58	4.19
10	70	31.20	2.12	4.31	31.90	2.15	4.35	34.90	2.33	4.39
10	80	27.40	1.77	4.53	30.20	1.92	4.61	32.90	2.05	4.70
0	60	28.10	2.09	3.93	29.80	2.19	3.99	31.40	2.27	4.05
0	70	25.50	1.82	4.10	26.00	1.83	4.16	29.00	2.01	4.22
0	80	21.10	1.44	4.28	23.90	1.59	4.39	26.60	1.73	4.50

## Multipliers for determining the performance with other indoor sections

### Heat multiplier airhandler - 5 ton

**Table 42: Heat multiplier air handler - 5 ton**

Air handler model	Indoor coil model	MBH	Cop	kW
AE60D	—	1.11	1.31	0.90
AE60D	—	1.11	1.31	0.90
AE60DX21	—	1.11	1.31	0.90
AE60DX21	—	1.11	1.31	0.90
AVC60DX21	—	1.00	0.91	1.09
AVC60DX21	—	1.00	0.91	1.09
JHETD60JBCS2N1	—	1.03	0.94	1.09
JHETD60JXS2N1	—	1.03	0.95	1.08
JHVTD60JBCC2N1	—	1.02	0.96	1.06
JHVTD60JXC2N1	—	1.02	0.96	1.06
JMET18DS2N1A	XAFD60J	1.03	0.94	1.09
JMET18DS2N1A	XAFD60J	1.03	0.94	1.09
JMET18DS2N1A	XAHD60J	1.00	0.92	1.09
JMET18DS2N1A	XAHD60J	1.00	0.92	1.09
JMVT20DC2N1A	XAFD60J	1.02	0.95	1.07
JMVT20DC2N1A	XAFD60J	1.02	0.95	1.07
JMVT20DC2N1A	XAHD60J	1.01	0.92	1.09
JMVT20DC2N1A	XAHD60J	1.01	0.92	1.09
ME20DN21	CF64D	1.00	0.92	1.08
ME20DN21	CM64D	1.00	0.92	1.08
ME20DN21	XAFD60J	1.03	0.93	1.11
ME20DN21	XAFD60J	1.03	0.93	1.11
ME20DN21	XAHD60J	1.01	0.91	1.11
ME20DN21	XAHD60J	1.01	0.91	1.11
MVC20DN21	CF64D	1.00	0.92	1.08
MVC20DN21	CM64D	1.00	0.92	1.08
MVC20DN21	XAFD60J	1.03	0.93	1.11
MVC20DN21	XAFD60J	1.03	0.93	1.11
MVC20DN21	XAHD60J	1.01	0.91	1.12
MVC20DN21	XAHD60J	1.01	0.91	1.12

### Heat multiplier furnace - 5 ton

**Table 43: Heat multiplier furnace - 5 ton**

Furnace model	Indoor coil model	MBH	Cop	kW
TL8E080C16UH11	CF64D	1.00	0.92	1.08
TL8E080C16UH11	CM64D	1.00	0.92	1.08
TL8E080C16UH11	XAFD60J	1.03	0.93	1.11
TL8E080C16UH11	XAFD60J	1.03	0.93	1.11
TL8E080C16UH11	XAHD60J	1.01	0.91	1.11
TL8E080C16UH11	XAHD60J	1.01	0.91	1.11
TL8E100C20UH11	CF64D	1.00	0.93	1.08
TL8E100C20UH11	CM64D	1.00	0.93	1.08
TL8E100C20UH11	XAFD60J	1.03	0.93	1.10
TL8E100C20UH11	XAFD60J	1.03	0.93	1.10
TL8E100C20UH11	XAHD60J	1.01	0.92	1.10
TL8E100C20UH11	XAHD60J	1.01	0.92	1.10
TL9E100C20UH11	CF64D	1.00	0.93	1.08



**Table 43: Heat multiplier furnace - 5 ton**

Furnace model	Indoor coil model	MBH	Cop	kW
TL9E100C20UH11	CM64D	1.00	0.93	1.08
TL9E100C20UH11	XAFD60J	1.03	0.93	1.11
TL9E100C20UH11	XAFD60J	1.03	0.93	1.11
TL9E100C20UH11	XAHD60J	1.01	0.91	1.10
TL9E100C20UH11	XAHD60J	1.01	0.91	1.10
TM8E080C16MP11	CF64D	1.00	0.92	1.09
TM8E080C16MP11	CM64D	1.00	0.92	1.09
TM8E080C16MP11	XAFD60J	1.04	0.93	1.11
TM8E080C16MP11	XAFD60J	1.04	0.93	1.11
TM8E080C16MP11	XAHD60J	1.01	0.91	1.11
TM8E080C16MP11	XAHD60J	1.01	0.91	1.11
TM8E080C20MP11	CF64D	0.99	0.93	1.06
TM8E080C20MP11	CM64D	0.99	0.93	1.06
TM8E080C20MP11	XAFD60J	1.03	0.94	1.09
TM8E080C20MP11	XAFD60J	1.03	0.94	1.09
TM8E080C20MP11	XAHD60J	1.00	0.92	1.09
TM8E080C20MP11	XAHD60J	1.00	0.92	1.09
TM8E100C16MP11	CF64D	1.00	0.92	1.09
TM8E100C16MP11	CM64D	1.00	0.92	1.09
TM8E100C16MP11	XAFD60J	1.04	0.93	1.11
TM8E100C16MP11	XAFD60J	1.04	0.93	1.11
TM8E100C16MP11	XAHD60J	1.01	0.91	1.11
TM8E100C16MP11	XAHD60J	1.01	0.91	1.11
TM8E100C20MP11	CF64D	1.00	0.91	1.10
TM8E100C20MP11	CM64D	1.00	0.91	1.10
TM8E100C20MP11	XAFD60J	1.02	0.94	1.08
TM8E100C20MP11	XAFD60J	1.02	0.94	1.08
TM8E100C20MP11	XAHD60J	1.00	0.93	1.08
TM8E100C20MP11	XAHD60J	1.00	0.93	1.08
TM8E120C16MP11	CF64D	1.00	0.93	1.08
TM8E120C16MP11	CM64D	1.00	0.93	1.08
TM8E120C16MP11	XAFD60J	1.04	0.93	1.11
TM8E120C16MP11	XAFD60J	1.04	0.93	1.11
TM8E120C16MP11	XAHD60J	1.01	0.91	1.10
TM8E120C16MP11	XAHD60J	1.01	0.91	1.10
TM8E120C20MP11	CF64D	0.99	0.94	1.06
TM8E120C20MP11	CM64D	0.99	0.94	1.06
TM8V100C20MP12C	CF64D	1.00	0.91	1.09
TM8V100C20MP12C	CM64D	1.00	0.91	1.09
TM8V100C20MP12C	XAFD60J	1.03	0.95	1.09
TM8V100C20MP12C	XAFD60J	1.03	0.95	1.09
TM8V120C20MP12C	CF64D	1.00	0.91	1.09
TM8V120C20MP12C	CM64D	1.00	0.91	1.09
TM8V120C20MP12C	XAFD60J	1.04	0.92	1.13
TM8V120C20MP12C	XAFD60J	1.04	0.92	1.13
TM8Y080C16MP11	CF64D	1.00	0.92	1.09
TM8Y080C16MP11	CM64D	1.00	0.92	1.09
TM8Y080C16MP11	XAFD60J	1.03	0.93	1.11
TM8Y080C16MP11	XAFD60J	1.03	0.93	1.11
TM8Y080C16MP11	XAHD60J	1.01	0.91	1.11
TM8Y080C16MP11	XAHD60J	1.01	0.91	1.11
TM8Y100C16MP11	XAFD60J	1.03	0.93	1.11
TM8Y100C16MP11	XAFD60J	1.03	0.93	1.11

**Table 43: Heat multiplier furnace - 5 ton**

Furnace model	Indoor coil model	MBH	Cop	kW
TM8Y100C16MP11	XAHD60J	1.01	0.92	1.10
TM8Y100C16MP11	XAHD60J	1.01	0.92	1.10
TM8Y100C20MP11	CF64D	0.99	0.93	1.07
TM8Y100C20MP11	CM64D	0.99	0.93	1.07
TM8Y100C20MP11	XAFD60J	1.03	0.94	1.09
TM8Y100C20MP11	XAFD60J	1.03	0.94	1.09
TM8Y100C20MP11	XAHD60J	1.00	0.92	1.09
TM8Y100C20MP11	XAHD60J	1.00	0.92	1.09
TM8Y120C20MP11	CF64D	0.99	0.93	1.07
TM8Y120C20MP11	CM64D	0.99	0.93	1.07
TM8Y120C20MP11	XAFD60J	1.03	0.94	1.09
TM8Y120C20MP11	XAFD60J	1.03	0.94	1.09
TM8Y120C20MP11	XAHD60J	1.00	0.92	1.09
TM8Y120C20MP11	XAHD60J	1.00	0.92	1.09
TM9E080C20MP12	CF64D	1.00	0.91	1.10
TM9E080C20MP12	CM64D	1.00	0.91	1.10
TM9E080C20MP12	XAFD60J	1.03	0.92	1.12
TM9E080C20MP12	XAFD60J	1.03	0.92	1.12
TM9E080C20MP12	XAHD60J	1.02	0.90	1.13
TM9E080C20MP12	XAHD60J	1.02	0.90	1.13
TM9E100C16MP12	XAFD60J	1.04	0.92	1.13
TM9E100C16MP12	XAFD60J	1.04	0.92	1.13
TM9E100C20MP12	CF64D	1.00	0.91	1.09
TM9E100C20MP12	CM64D	1.00	0.91	1.09
TM9E100C20MP12	XAFD60J	1.04	0.92	1.12
TM9E100C20MP12	XAFD60J	1.04	0.92	1.12
TM9E100C20MP12	XAHD60J	1.01	0.90	1.12
TM9E100C20MP12	XAHD60J	1.01	0.90	1.12
TM9E120D20MP12	CF64D	1.00	0.91	1.10
TM9E120D20MP12	CM64D	1.00	0.91	1.10
TM9E120D20MP12	XAFD60J	1.04	0.92	1.12
TM9E120D20MP12	XAFD60J	1.04	0.92	1.12
TM9E120D20MP12	XAHD60J	1.01	0.91	1.10
TM9E120D20MP12	XAHD60J	1.01	0.91	1.10
TM9V080C16MP12C	CF64D	1.00	0.92	1.09
TM9V080C16MP12C	CM64D	1.00	0.92	1.09
TM9V100C16MP12C	CF64D	1.00	0.92	1.08
TM9V100C16MP12C	CM64D	1.00	0.92	1.08
TM9V100C16MP12C	XAFD60J	1.03	0.93	1.11
TM9V100C16MP12C	XAFD60J	1.03	0.93	1.11
TM9V100C16MP12C	XAHD60J	1.01	0.91	1.12
TM9V100C16MP12C	XAHD60J	1.01	0.91	1.12
TM9V100C20MP12C	CF64D	1.00	0.92	1.08
TM9V100C20MP12C	CM64D	1.00	0.92	1.08
TM9V100C20MP12C	XAFD60J	1.03	0.93	1.11
TM9V100C20MP12C	XAFD60J	1.03	0.93	1.11
TM9V100C20MP12C	XAHD60J	1.02	0.90	1.12
TM9V100C20MP12C	XAHD60J	1.02	0.90	1.12
TM9V120D20MP12C	CF64D	1.00	0.91	1.11
TM9V120D20MP12C	CM64D	1.00	0.91	1.11
TM9V120D20MP12C	XAFD60J	1.04	0.91	1.14
TM9V120D20MP12C	XAFD60J	1.04	0.91	1.14
TM9V120D20MP12C	XAHD60J	1.01	0.91	1.11

**Table 43: Heat multiplier furnace - 5 ton**

Furnace model	Indoor coil model	MBH	Cop	kW
TM9V120D20MP12C	XAHD60J	1.01	0.91	1.11
TM9Y100C20MP11	CF64D	1.00	0.92	1.08
TM9Y100C20MP11	CM64D	1.00	0.92	1.08
TM9Y100C20MP11	XAFD60J	1.03	0.94	1.10
TM9Y100C20MP11	XAFD60J	1.03	0.94	1.10
TM9Y100C20MP11	XAHD60J	1.01	0.92	1.10
TM9Y100C20MP11	XAHD60J	1.01	0.92	1.10
TM9Y120D20MP11	CF64D	1.00	0.93	1.08
TM9Y120D20MP11	CM64D	1.00	0.93	1.08
TM9Y120D20MP11	XAFD60J	1.03	0.94	1.09
TM9Y120D20MP11	XAFD60J	1.03	0.94	1.09
TM9Y120D20MP11	XAHD60J	1.01	0.92	1.10
TM9Y120D20MP11	XAHD60J	1.01	0.92	1.10
TMLE080C16MP11	CF64D	1.00	0.92	1.09
TMLE080C16MP11	CM64D	1.00	0.92	1.09
TMLE080C16MP11	XAFD60J	1.04	0.93	1.11
TMLE080C16MP11	XAFD60J	1.04	0.93	1.11
TMLE080C16MP11	XAHD60J	1.01	0.91	1.11
TMLE080C16MP11	XAHD60J	1.01	0.91	1.11
TMLE080C20MP11	CF64D	0.99	0.93	1.06
TMLE080C20MP11	CM64D	0.99	0.93	1.06
TMLE080C20MP11	XAFD60J	1.03	0.94	1.09
TMLE080C20MP11	XAFD60J	1.03	0.94	1.09
TMLE080C20MP11	XAHD60J	1.00	0.92	1.09
TMLE080C20MP11	XAHD60J	1.00	0.92	1.09
TMLE100C16MP11	CF64D	1.00	0.92	1.09
TMLE100C16MP11	CM64D	1.00	0.92	1.09
TMLE100C16MP11	XAFD60J	1.04	0.93	1.11
TMLE100C16MP11	XAFD60J	1.04	0.93	1.11
TMLE100C16MP11	XAHD60J	1.01	0.91	1.11
TMLE100C16MP11	XAHD60J	1.01	0.91	1.11
TMLE100C20MP11	CF64D	1.00	0.91	1.10
TMLE100C20MP11	CM64D	1.00	0.91	1.10
TMLE100C20MP11	XAFD60J	1.02	0.94	1.08
TMLE100C20MP11	XAFD60J	1.02	0.94	1.08
TMLE100C20MP11	XAHD60J	1.00	0.93	1.08
TMLE100C20MP11	XAHD60J	1.00	0.93	1.08
TMLE120C16MP11	CF64D	1.00	0.93	1.08
TMLE120C16MP11	CM64D	1.00	0.93	1.08
TMLE120C16MP11	XAFD60J	1.04	0.93	1.11
TMLE120C16MP11	XAFD60J	1.04	0.93	1.11
TMLE120C16MP11	XAHD60J	1.01	0.91	1.10
TMLE120C16MP11	XAHD60J	1.01	0.91	1.10
TMLE120C20MP11	CF64D	0.99	0.94	1.06
TMLE120C20MP11	CM64D	0.99	0.94	1.06
TMLV120C20MP12C	CF64D	1.00	0.91	1.09
TMLV120C20MP12C	CM64D	1.00	0.91	1.09
TMLV120C20MP12C	XAFD60J	1.04	0.92	1.13
TMLV120C20MP12C	XAFD60J	1.04	0.92	1.13
TP9C080C16MP13C	CF64D	1.00	0.92	1.09
TP9C080C16MP13C	CM64D	1.00	0.92	1.09
TP9C100C16MP13C	CF64D	1.00	0.92	1.08
TP9C100C16MP13C	CM64D	1.00	0.92	1.08

**Table 43: Heat multiplier furnace - 5 ton**

Furnace model	Indoor coil model	MBH	Cop	kW
TP9C100C16MP13C	XAFD60J	1.03	0.93	1.11
TP9C100C16MP13C	XAFD60J	1.03	0.93	1.11
TP9C100C16MP13C	XAHD60J	1.01	0.91	1.12
TP9C100C16MP13C	XAHD60J	1.01	0.91	1.12
TP9C100C20MP13C	CF64D	1.00	0.92	1.08
TP9C100C20MP13C	CM64D	1.00	0.92	1.08
TP9C100C20MP13C	XAFD60J	1.03	0.93	1.11
TP9C100C20MP13C	XAFD60J	1.03	0.93	1.11
TP9C100C20MP13C	XAHD60J	1.02	0.90	1.12
TP9C100C20MP13C	XAHD60J	1.02	0.90	1.12
TP9C120D20MP13C	CF64D	1.00	0.91	1.11
TP9C120D20MP13C	CM64D	1.00	0.91	1.11
TP9C120D20MP13C	XAFD60J	1.04	0.91	1.14
TP9C120D20MP13C	XAFD60J	1.04	0.91	1.14
TP9C120D20MP13C	XAHD60J	1.01	0.91	1.11
TP9C120D20MP13C	XAHD60J	1.01	0.91	1.11
TP9C120D20MP13C	XAHD60J	1.01	0.91	1.11
TPLC100C20MP13C	CF64D	1.00	0.91	1.09
TPLC100C20MP13C	CM64D	1.00	0.91	1.09
TPLC100C20MP13C	XAFD60J	1.04	0.92	1.13
TPLC100C20MP13C	XAFD60J	1.04	0.92	1.13
TPLC120C20MP13C	CF64D	1.00	0.91	1.09
TPLC120C20MP13C	CM64D	1.00	0.91	1.09
TPLC120C20MP13C	XAFD60J	1.04	0.92	1.13
TPLC120C20MP13C	XAFD60J	1.04	0.92	1.13
YP9C080C16MP13C	CF64D	1.00	0.92	1.09
YP9C080C16MP13C	CM64D	1.00	0.92	1.09
YP9C100C16MP13C	CF64D	1.00	0.92	1.08
YP9C100C16MP13C	CM64D	1.00	0.92	1.08
YP9C100C16MP13C	XAFD60J	1.03	0.93	1.11
YP9C100C16MP13C	XAFD60J	1.03	0.93	1.11
YP9C100C16MP13C	XAHD60J	1.01	0.91	1.12
YP9C100C16MP13C	XAHD60J	1.01	0.91	1.12
YP9C100C20MP13C	CF64D	1.00	0.92	1.08
YP9C100C20MP13C	CM64D	1.00	0.92	1.08
YP9C100C20MP13C	XAFD60J	1.03	0.93	1.11
YP9C100C20MP13C	XAFD60J	1.03	0.93	1.11
YP9C100C20MP13C	XAHD60J	1.02	0.90	1.12
YP9C100C20MP13C	XAHD60J	1.02	0.90	1.12
YP9C120D20MP13C	CF64D	1.00	0.91	1.11
YP9C120D20MP13C	CM64D	1.00	0.91	1.11
YP9C120D20MP13C	XAFD60J	1.04	0.91	1.14
YP9C120D20MP13C	XAFD60J	1.04	0.91	1.14
YP9C120D20MP13C	XAHD60J	1.01	0.91	1.11
YP9C120D20MP13C	XAHD60J	1.01	0.91	1.11
YPLC100C20MP13C	CF64D	1.00	0.91	1.09
YPLC100C20MP13C	CM64D	1.00	0.91	1.09
YPLC100C20MP13C	XAFD60J	1.04	0.92	1.13
YPLC100C20MP13C	XAFD60J	1.04	0.92	1.13
YPLC120C20MP13C	CF64D	1.00	0.91	1.09
YPLC120C20MP13C	CM64D	1.00	0.91	1.09
YPLC120C20MP13C	XAFD60J	1.04	0.92	1.13
YPLC120C20MP13C	XAFD60J	1.04	0.92	1.13



---

Subject to change without notice. Published in U.S.A. Copyright © 2023 by Johnson Controls. All rights reserved.